



US00D659389S

(12) **United States Design Patent**  
**Platt et al.**

(10) **Patent No.:** **US D659,389 S**

(45) **Date of Patent:** **\*\* May 15, 2012**

(54) **HANDBAG WITH INTERCHANGEABLE COVER**

2,477,388 A 7/1949 Moore  
D155,608 S 10/1949 Hilf  
2,622,647 A 12/1952 Arnthal

(Continued)

(75) Inventors: **Jennie Platt**, Sandy, UT (US); **Christian J. Seegmiller**, Riverton, UT (US); **Corbin B. Church**, Salt Lake City, UT (US)

FOREIGN PATENT DOCUMENTS

FR 1117240 5/1956

(Continued)

(73) Assignee: **Miche Bag, LLC**, South Jordan, UT (US)

OTHER PUBLICATIONS

(\*\*) Term: **14 Years**

European Search Report, 07845129.1-1258/2124666, Mailed Mar. 25, 2010.

(21) Appl. No.: **29/355,821**

(Continued)

(22) Filed: **Feb. 15, 2010**

*Primary Examiner* — Holly Baynham

(74) *Attorney, Agent, or Firm* — Workman Nydegger

**Related U.S. Application Data**

(63) Continuation of application No. 12/529,012, filed as application No. PCT/US2009/054896 on Aug. 25, 2009.

(57) **CLAIM**

The ornamental design for handbag with interchangeable cover, as shown and described.

(51) **LOC (9) Cl.** ..... **03-01**

(52) **U.S. Cl.** ..... **D3/233**

(58) **Field of Classification Search** ..... D3/232–233,  
D3/240–246, 318; 150/100, 103–110, 113–114,  
150/118–119

See application file for complete search history.

**DESCRIPTION**

FIG. 1 is a front elevational view of a handbag showing our new ornamental design, the handbag including an interchangeable cover and a base handbag, the opposing rear view being a mirror image thereof;

FIG. 2 is a side elevational view thereof, the opposing side view being a mirror image thereof;

FIG. 3 is a bottom plan view of thereof;

FIG. 4 is a front perspective view thereof;

FIG. 5 is a side perspective view thereof, albeit in an alternate position showing the handbag in a partially opened position; and,

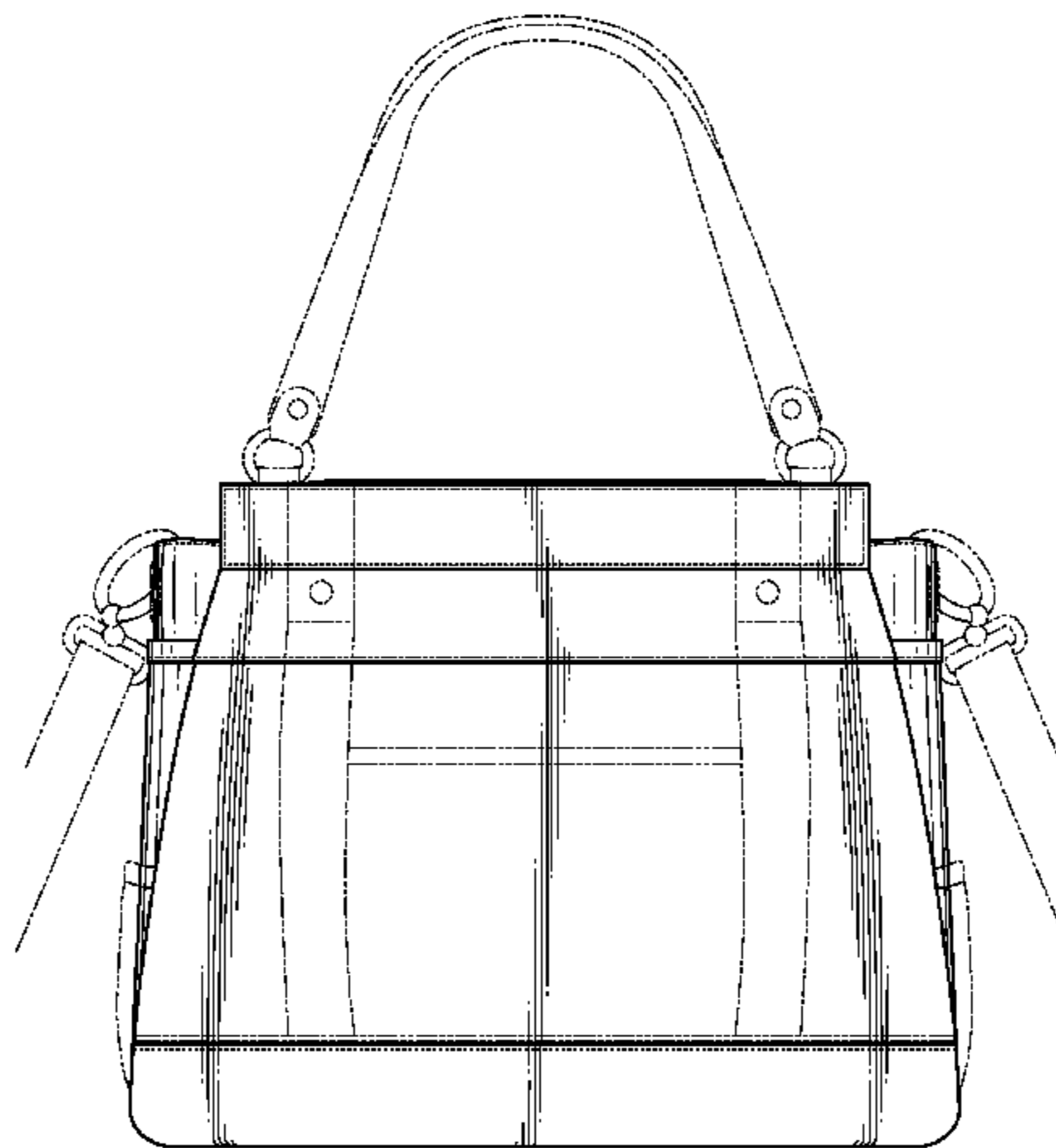
FIG. 6 is an exploded side-perspective view thereof, showing the base handbag withdrawn from the interchangeable cover. The broken, alternating long and short lines, including that showing a handle, straps, snaps, and other subject matter, are for the purposes of illustrating environment and form no part of the claimed design. The evenly spaced broken lines represent stitching and are part of the claimed design.

(56) **References Cited**

U.S. PATENT DOCUMENTS

840,086 A	1/1907	Oswald
1,042,934 A	9/1912	Levy
1,960,396 A	5/1934	Rosenberg
1,972,577 A	10/1934	Walinsky
1,978,971 A	10/1934	Thornhill et al.
2,023,144 A	5/1935	Miller
2,104,439 A	5/1938	Schein
2,118,400 A	5/1938	Goldberg
2,131,382 A	9/1938	Lobat
D129,151 S	8/1941	Lewis
D131,188 S	1/1942	Lewis
2,369,239 A	2/1945	Khoury
2,369,482 A	2/1945	Morris
2,437,382 A	9/1948	Czap
2,464,312 A	3/1949	Holden

**1 Claim, 5 Drawing Sheets**



U.S. PATENT DOCUMENTS

2,627,885 A 2/1953 Cassell  
 2,656,870 A 10/1953 Wishnia  
 2,779,373 A 1/1957 Koepke  
 2,809,685 A 10/1957 Lowy  
 2,893,457 A 7/1959 Wilson  
 3,182,701 A 5/1965 Ginsburg  
 3,234,985 A 2/1966 Gilbert  
 3,451,454 A 6/1969 Davis  
 3,451,545 A 6/1969 Davis  
 3,556,187 A 1/1971 Speakes  
 3,575,226 A 4/1971 Chapman  
 D224,072 S 6/1972 Rosenblum  
 3,669,169 A 6/1972 Lubliner  
 4,088,167 A 5/1978 Schwartz  
 4,112,991 A 9/1978 Barbaresi  
 D252,596 S 8/1979 Adler  
 4,260,004 A 4/1981 Domke  
 4,263,951 A 4/1981 Siegel  
 4,610,286 A 9/1986 Cyr  
 4,754,790 A 7/1988 Meyers  
 4,842,032 A 6/1989 Mastronardo  
 4,907,633 A 3/1990 Eckstein  
 5,096,030 A 3/1992 Espinosa  
 5,178,198 A 1/1993 Fitzgerald  
 D334,661 S 4/1993 Kohn  
 5,207,254 A 5/1993 Fromm  
 D346,694 S 5/1994 Cyr  
 5,356,004 A 10/1994 Weinreb  
 D354,399 S 1/1995 Georges  
 5,533,558 A 7/1996 Carey  
 5,725,039 A 3/1998 Macinai  
 5,765,618 A 6/1998 Toledano  
 5,829,502 A 11/1998 Distefano et al.  
 D403,863 S 1/1999 Briganti  
 D408,146 S 4/1999 Briganti  
 5,894,975 A 4/1999 Holden et al.  
 5,911,262 A 6/1999 Steinhart  
 5,839,138 A 11/1999 Smith  
 5,983,464 A 11/1999 Bauer  
 5,983,969 A 11/1999 Morgan  
 6,003,573 A 12/1999 Owens  
 6,029,723 A 2/2000 Baquero  
 6,116,412 A 9/2000 Rogers  
 D432,310 S 10/2000 Salz  
 6,129,126 A 10/2000 Restivo  
 6,173,837 B1 1/2001 Marconi  
 6,179,025 B1 1/2001 Sutton  
 D437,687 S 2/2001 Salz  
 6,186,201 B1 2/2001 Salz  
 6,237,660 B1 5/2001 Giardino  
 D443,139 S 6/2001 Salz  
 D443,764 S 6/2001 Salz  
 D444,943 S 7/2001 Nastasi  
 6,394,157 B2 5/2002 Luna  
 6,422,278 B1 7/2002 Grogan  
 6,446,688 B1 9/2002 Sutton  
 6,543,499 B2 4/2003 McCreery  
 6,564,838 B1 5/2003 Cruickshank  
 D476,809 S 7/2003 Ko  
 D495,877 S 9/2004 Thorsen  
 6,796,344 B2 9/2004 Chen  
 6,807,992 B2 10/2004 Powers  
 D497,716 S 11/2004 de Baschmakoff  
 6,820,664 B1 11/2004 Ritch  
 6,968,880 B2 11/2005 Battaglia et al.  
 6,971,424 B1 12/2005 Angevine  
 7,028,730 B2 4/2006 Pace et al.  
 7,222,649 B1 5/2007 Fox  
 7,246,643 B2 7/2007 Andrews

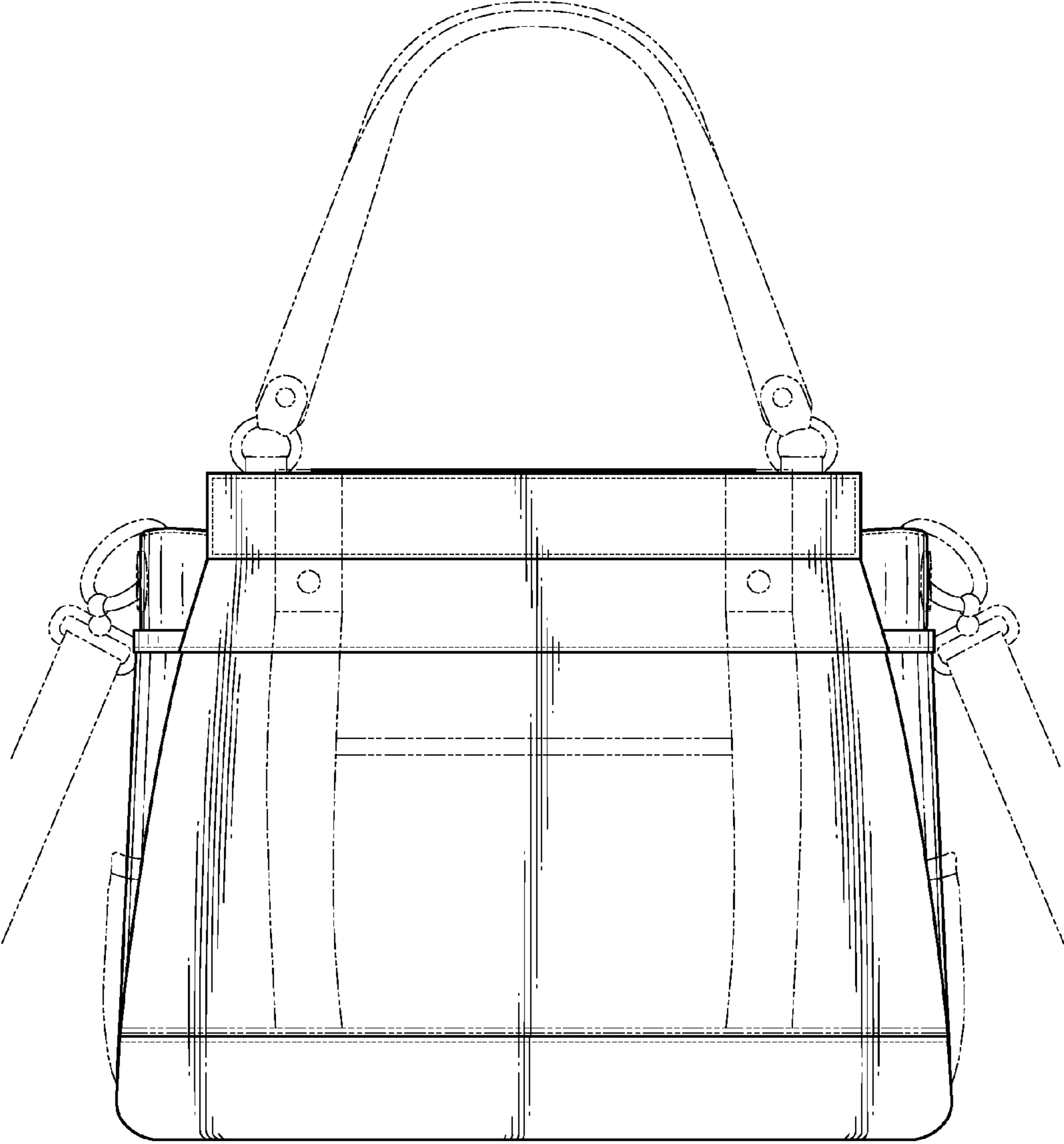
7,461,676 B2 12/2008 Huie  
 7,624,777 B2 12/2009 Paller  
 D610,801 S 3/2010 Romero  
 D611,705 S 3/2010 Romero  
 D613,062 S 4/2010 Romero  
 7,789,114 B2 9/2010 Pace et al.  
 7,942,296 B1 5/2011 Johnson  
 8,028,730 B2 10/2011 Whiting  
 2001/0015248 A1 8/2001 McCreery  
 2002/0029831 A1 3/2002 Pendergrass  
 2002/0066505 A1 6/2002 Grogan  
 2003/0000612 A1 1/2003 Sutton  
 2003/0177664 A1 9/2003 Monassebian  
 2004/0050468 A1 3/2004 Powers  
 2004/0187988 A1 9/2004 Andrews  
 2005/0028908 A1 2/2005 Schaus et al.  
 2005/0173034 A1 8/2005 Antrobus  
 2005/0274441 A1 12/2005 Pace et al.  
 2006/0021684 A1 2/2006 DeCoro, III  
 2006/0157175 A1 7/2006 Pace et al.  
 2006/0174984 A1 8/2006 Burns  
 2006/0208043 A1 9/2006 Plantan  
 2006/0237106 A1 10/2006 Pearson  
 2006/0266452 A1 11/2006 Huie  
 2006/0278311 A1 12/2006 Mittelstaedt  
 2007/0102077 A1 5/2007 Parker-Ogden  
 2007/0163689 A1 7/2007 Pace et al.  
 2007/0209742 A1 9/2007 Morgan  
 2007/0221136 A1 9/2007 Buttner  
 2007/0240798 A1 10/2007 Bihler  
 2008/0006355 A1 1/2008 Gomez  
 2008/0185082 A1 8/2008 Mejia et al.  
 2008/0230158 A1 9/2008 Romero et al.  
 2009/0065110 A1 3/2009 Cassella  
 2009/0188592 A1 7/2009 Connacher et al.  
 2010/0218863 A1 9/2010 Church  
 2011/0000590 A1 1/2011 Welch  
 2011/0005646 A1 1/2011 Nelson  
 2011/0011503 A1 1/2011 Parker  
 2011/0061778 A1 3/2011 Micone  
 2011/0253273 A1 10/2011 Kay

FOREIGN PATENT DOCUMENTS

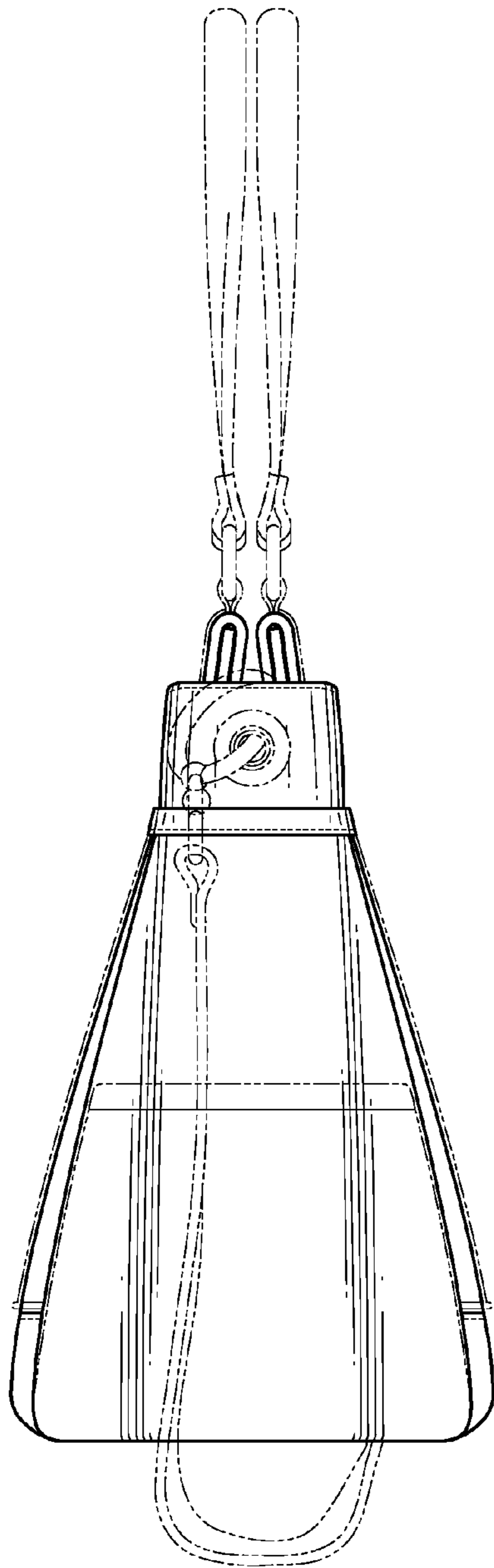
GB 2350285 A 11/2000  
 GB 2377882 A 1/2003  
 JP 2002051816 2/2002  
 KR 20-030050218 5/2004  
 WO WO01/91596 12/2001  
 WO WO2005008552 A1 1/2005  
 WO 2006002005 A2 1/2006  
 WO WO2006002005 A2 1/2006  
 WO WO2006122197 11/2006

OTHER PUBLICATIONS

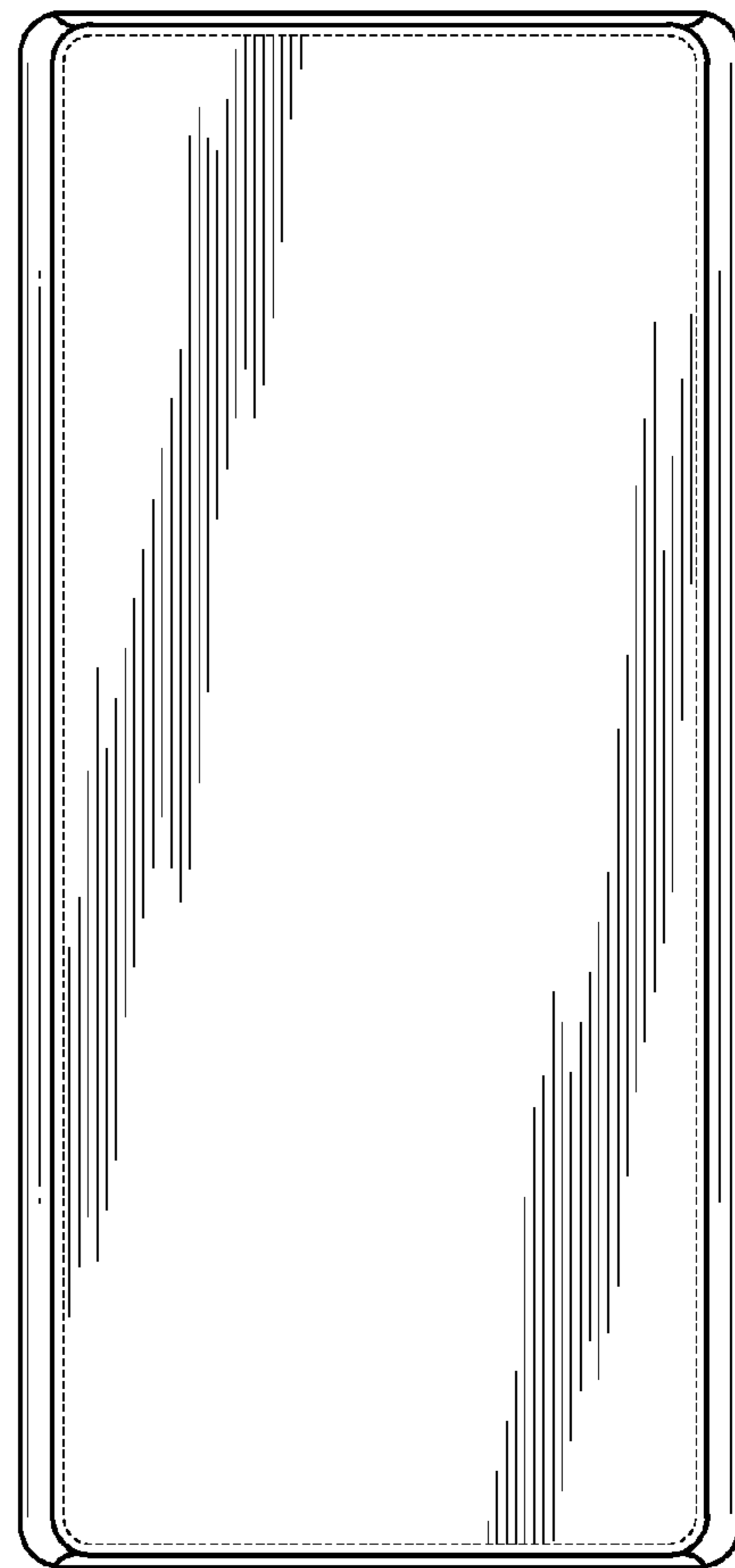
International Search Opinion, PCTUS0954896, Mailed Mar. 14, 2008.  
 International Search Report, PCTUS0954896, Mailed Mar. 14, 2008.  
 "The Smart Handbag", The BERNINA Connection, LLC Online Catalog with secure transactions, [http://berninaconnection.com/cgi-bin/Store/store.cgi?product=patterns\\_main&productid=0](http://berninaconnection.com/cgi-bin/Store/store.cgi?product=patterns_main&productid=0) (accessed Mar. 21, 2007).  
 "Rock Album Cover Tote Bag with interchangeable panel", Eco-Artware, <http://www.eco-artware.com/catalog/MMM1-album-tote.shtml> (accessed Mar. 21, 2007).  
 International Search Report, PCT/US2007/085339, Mailed Mar. 14, 2008.  
 International Search Opinion, PCT/US2007/085339, Mailed Mar. 14, 2008.



**Fig. 1**



**Fig. 2**



**Fig. 3**

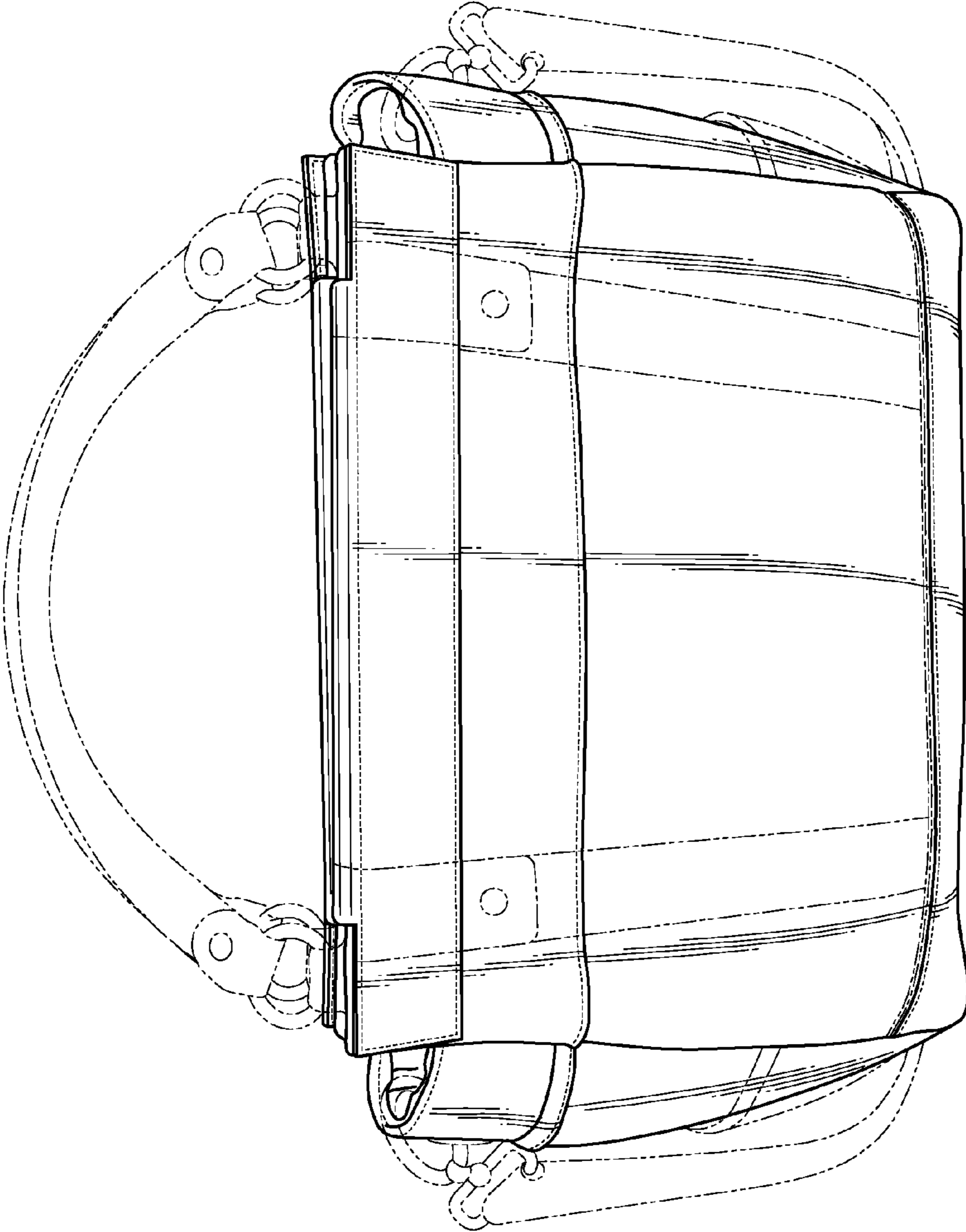
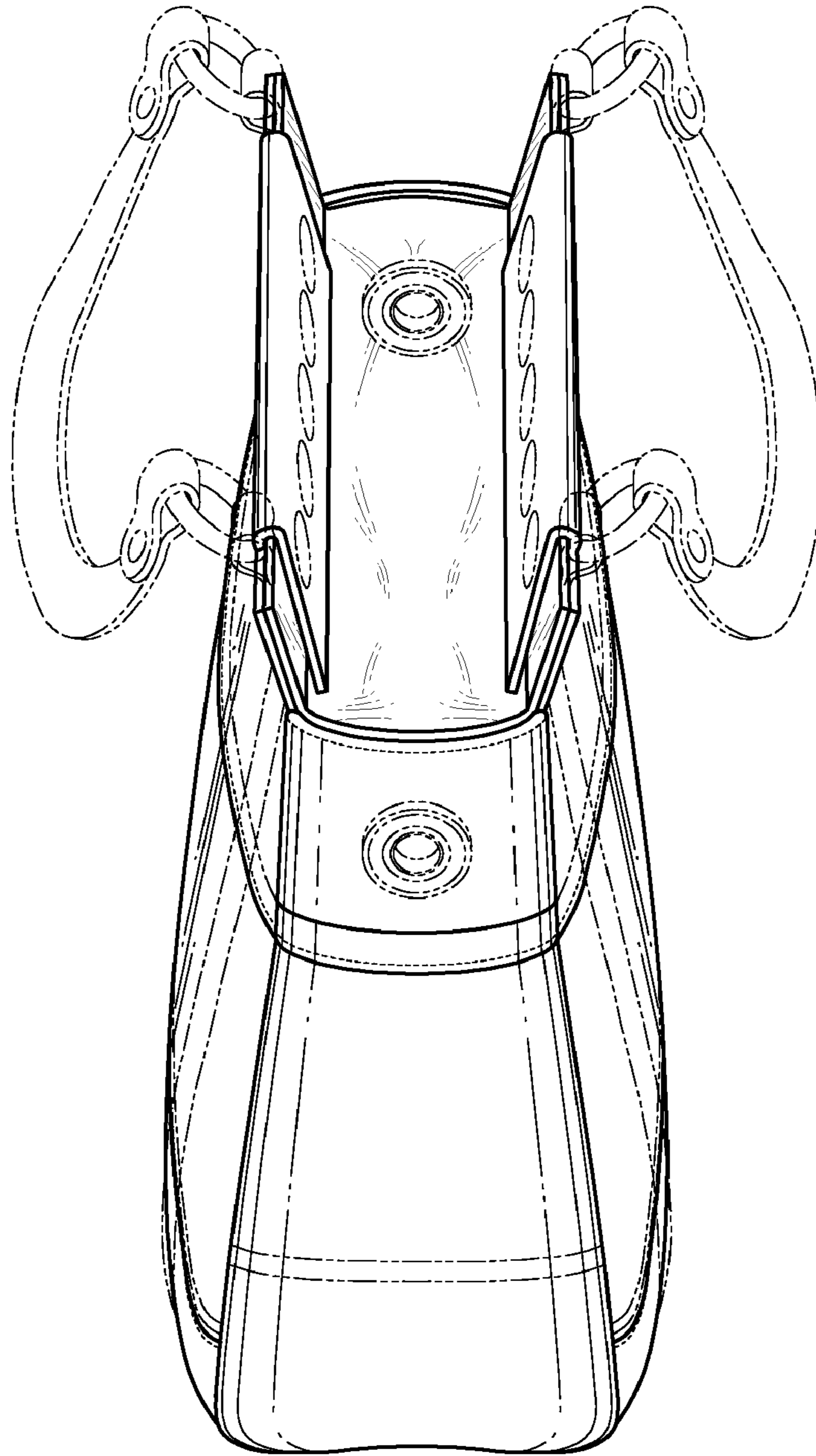
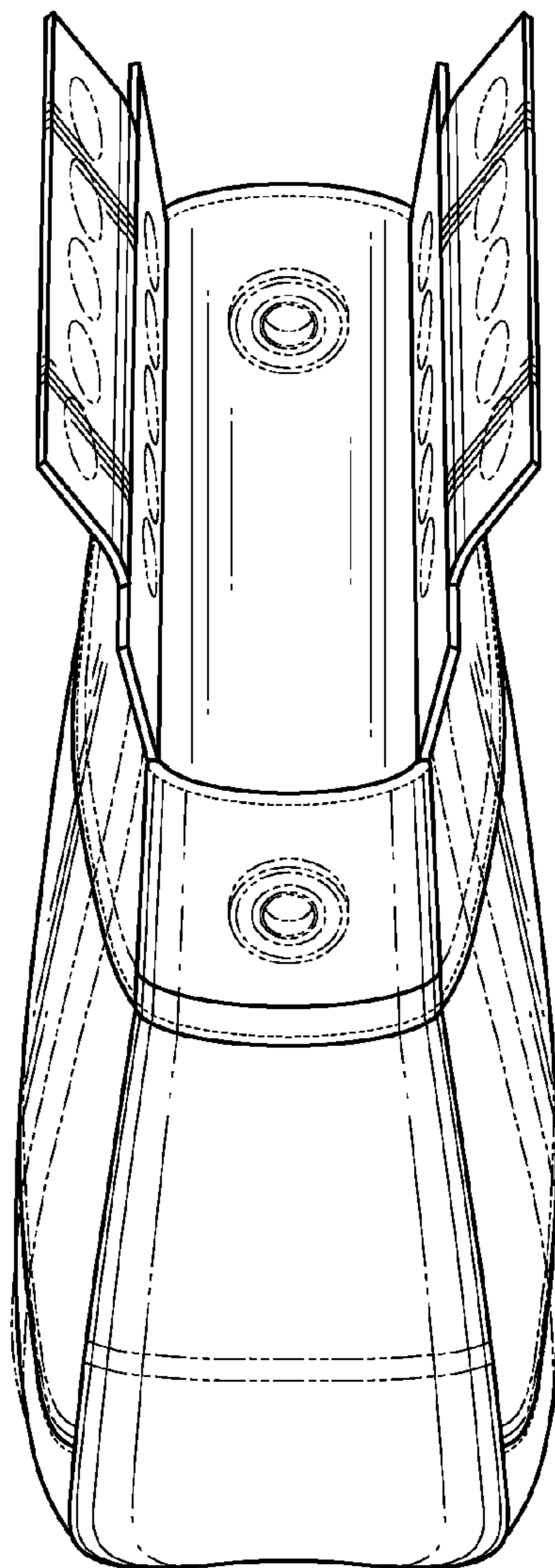
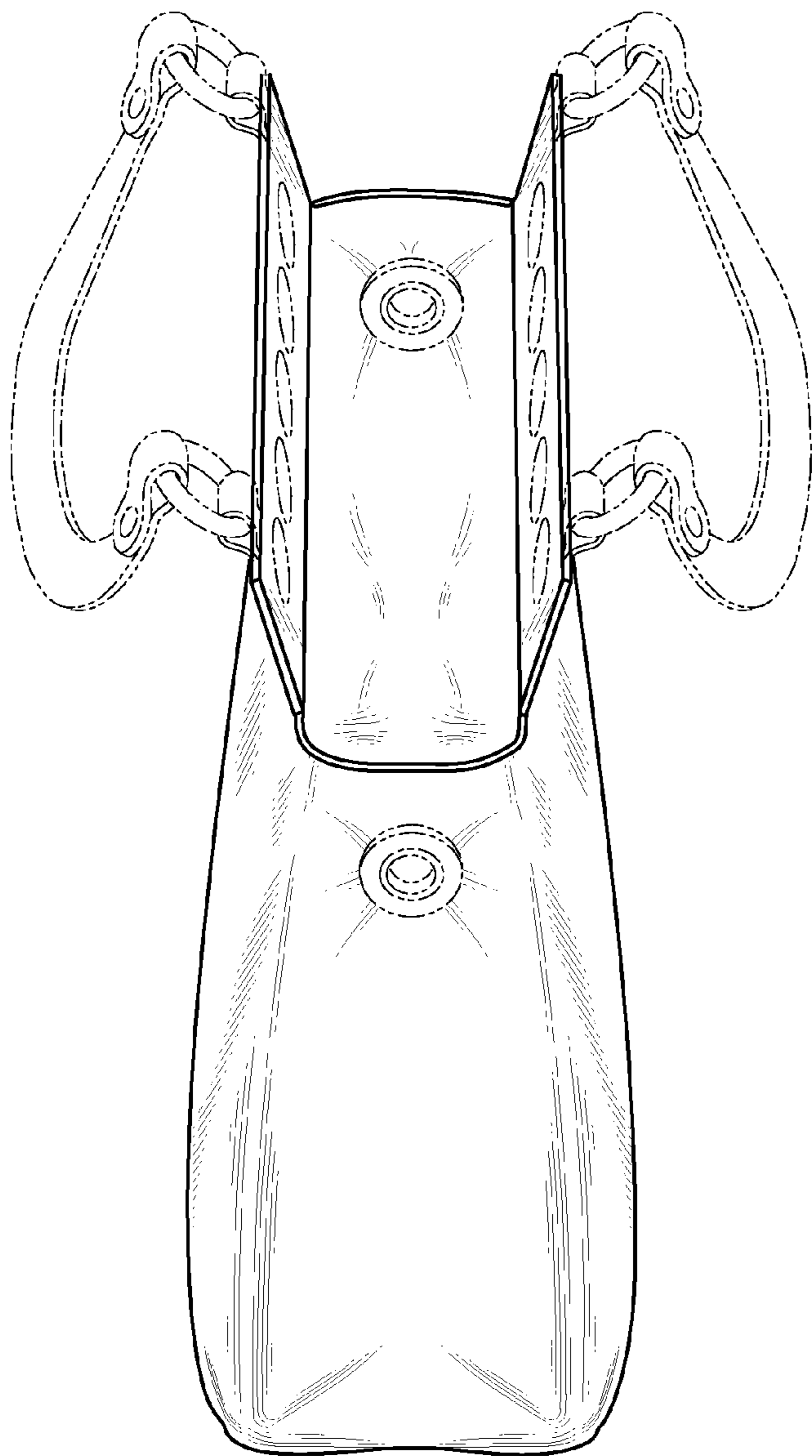


Fig. 4



**Fig. 5**



**Fig. 6**