



US00D659387S

(12) **United States Design Patent**
Lucido

(10) **Patent No.:** **US D659,387 S**

(45) **Date of Patent:** **** May 15, 2012**

(54) **TIN PURSE WITH BEAD HANDLE**

(75) Inventor: **Dominick Lucido**, Smithtown, NY (US)

(73) Assignee: **The Tin Box Company**, Farmingdale, NY (US)

(**) Term: **14 Years**

(21) Appl. No.: **29/385,974**

(22) Filed: **Feb. 23, 2011**

(51) **LOC (9) Cl.** **03-01**

(52) **U.S. Cl.** **D3/232**

(58) **Field of Classification Search** D3/232–233,
D3/240–246, 318; 150/100, 103–110, 113–114,
150/118–119

See application file for complete search history.

(56) **References Cited**

U.S. PATENT DOCUMENTS

D446,010 S * 8/2001 Sweeney D3/246
D525,424 S * 7/2006 Roth et al. D3/242

D532,968 S * 12/2006 Roth et al. D3/242
D574,148 S * 8/2008 Roth et al. D3/242
D583,558 S * 12/2008 Siegel et al. D3/242

* cited by examiner

Primary Examiner — Holly Baynham

(74) *Attorney, Agent, or Firm* — Cozen O'Connor

(57) **CLAIM**

I claim the ornamental design for a tin purse with bead handle, as shown and described.

DESCRIPTION

FIG. 1 is a left top front perspective view of a tin purse showing the new design;

FIG. 2 is a left bottom rear perspective view thereof;

FIG. 3 is a right top front perspective view thereof;

FIG. 4 is a right rear bottom perspective view thereof;

FIG. 5 is a front elevation view thereof;

FIG. 6 is a rear elevation view thereof;

FIG. 7 is a right side elevation view thereof;

FIG. 8 is a left side elevation view thereof;

FIG. 9 is a top plan view thereof; and,

FIG. 10 is a bottom plan view thereof.

1 Claim, 8 Drawing Sheets





FIG. 1

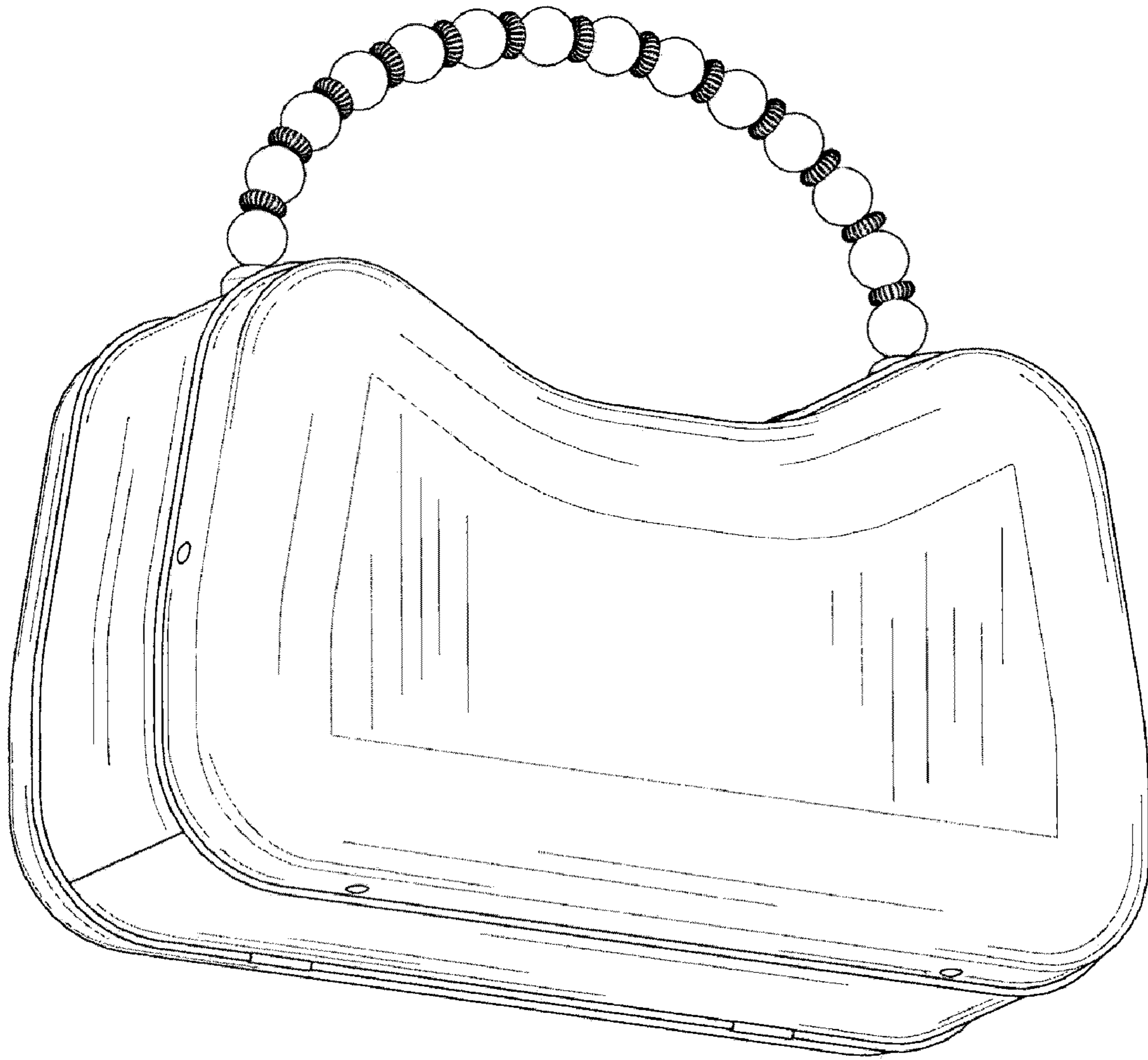


FIG. 2



FIG. 3

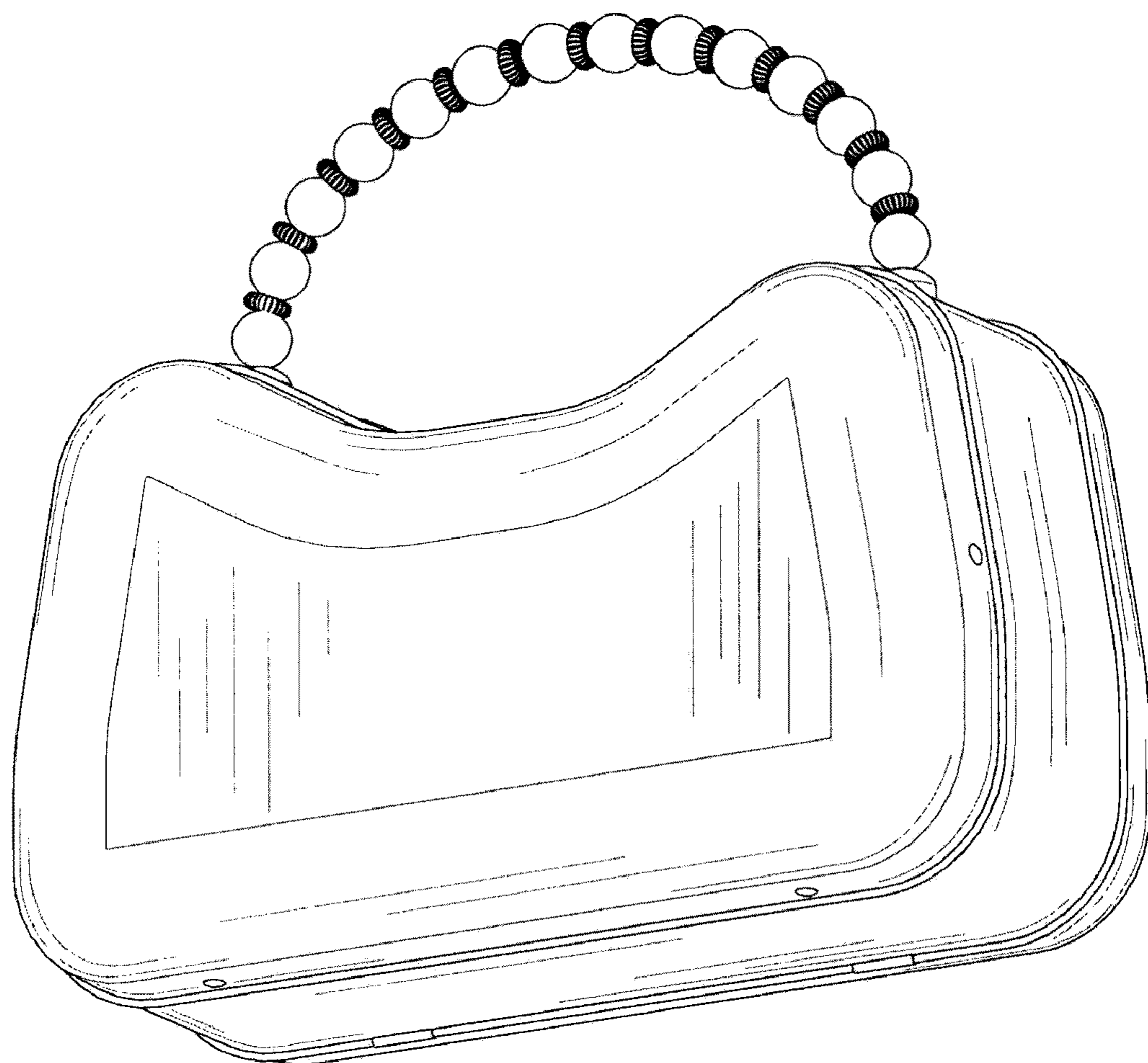


FIG. 4



FIG. 5



FIG. 6

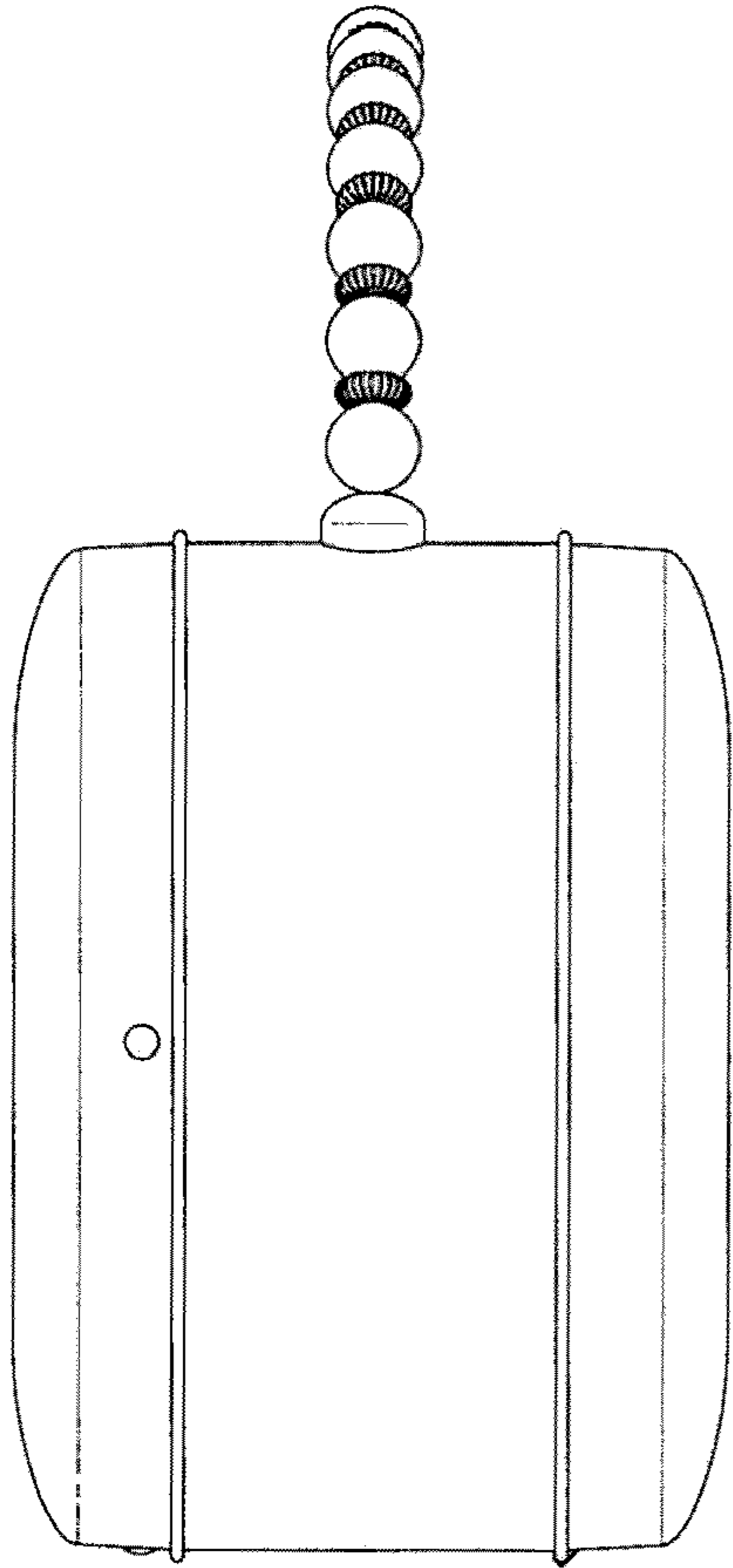


FIG. 7

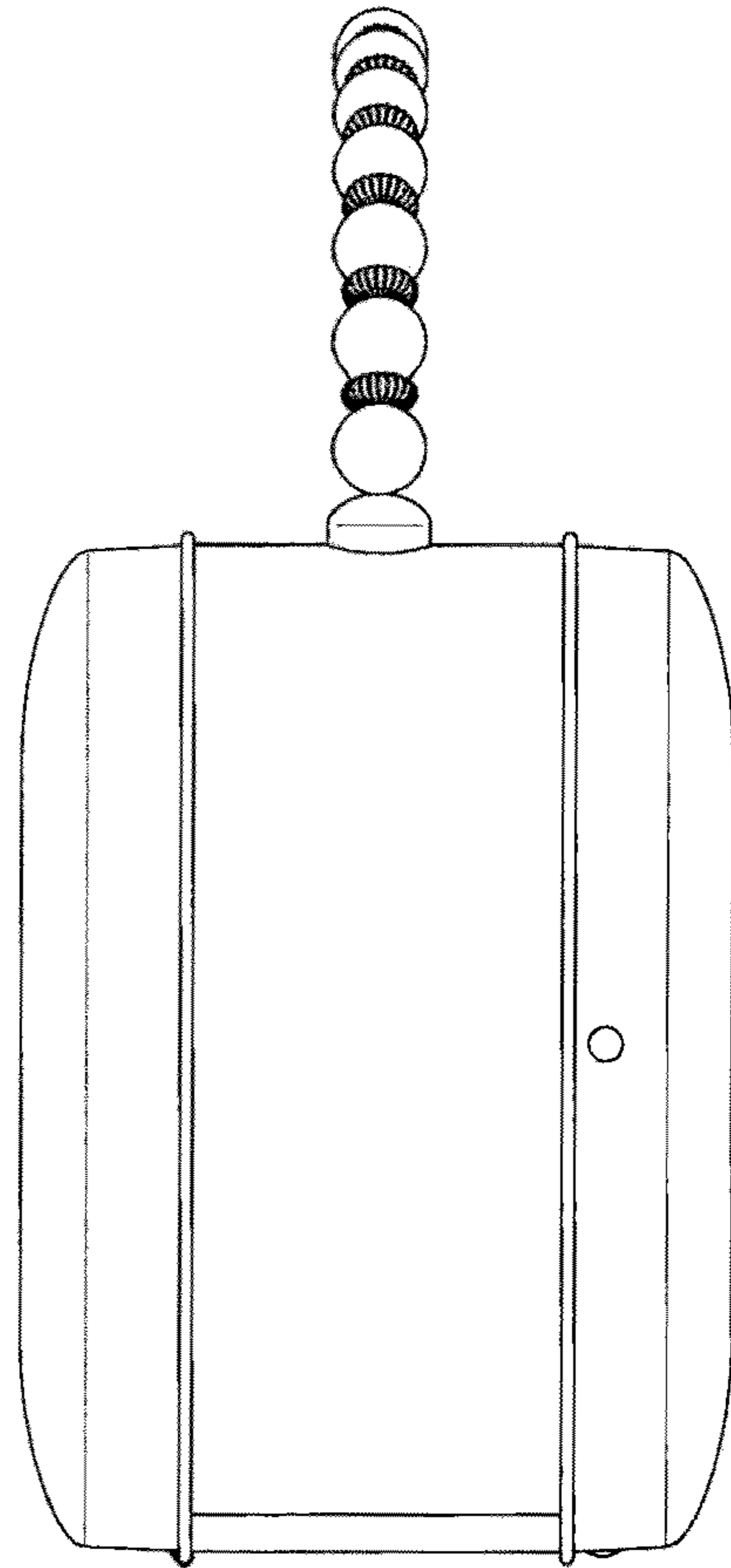


FIG. 8

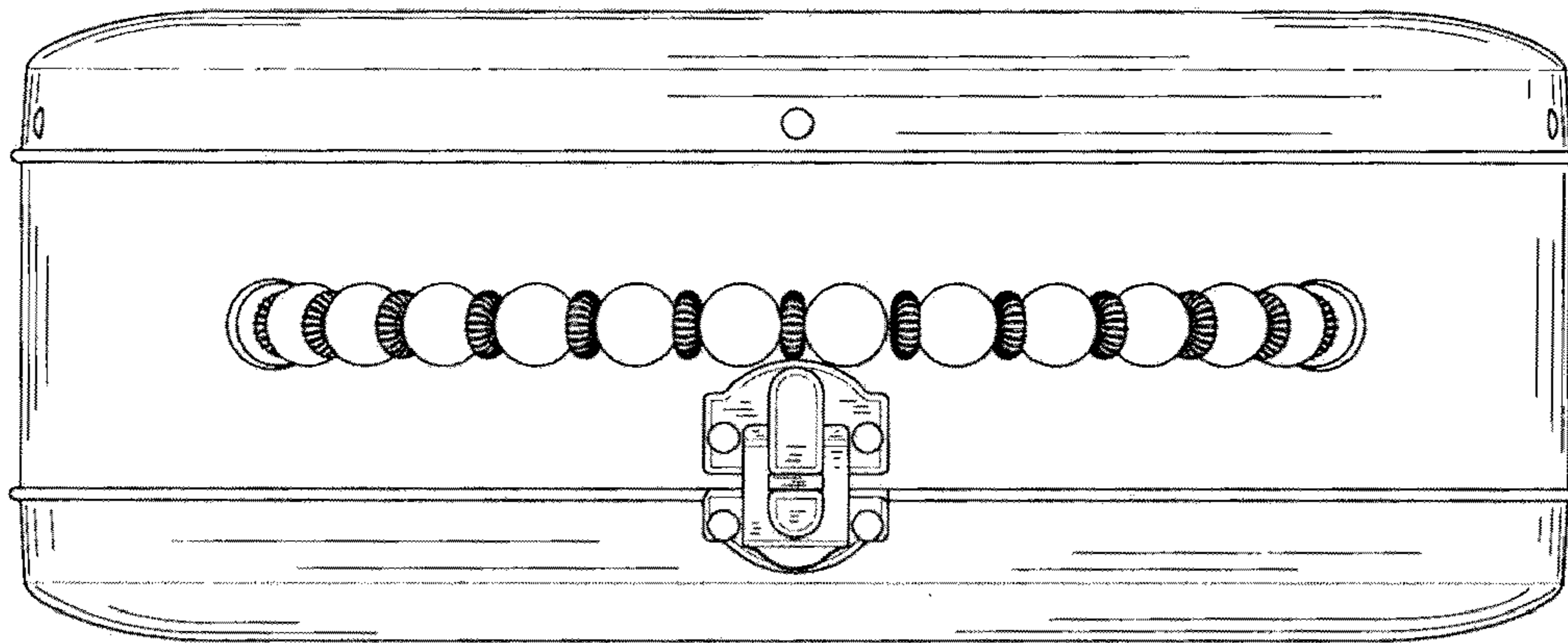


FIG. 9

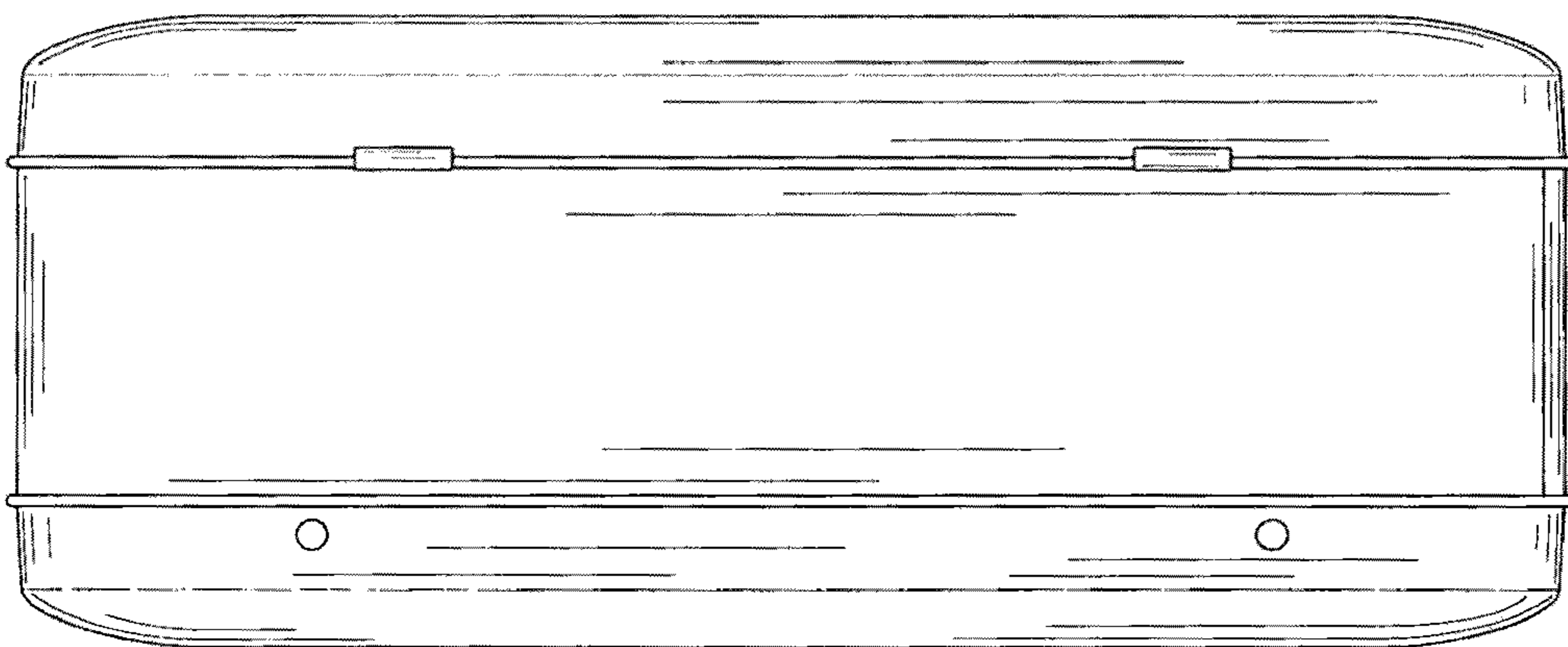


FIG. 10