

US00D659385S

(12) **United States Design Patent**
Campbell

(10) **Patent No.:** **US D659,385 S**
(45) **Date of Patent:** **** May 15, 2012**

(54) **LINE MANAGEMENT DEVICE ASSEMBLY**

(57) **CLAIM**

(76) Inventor: **Jack Campbell**, Seadrift, TX (US)

The ornamental design for a line management device assembly, as shown and described.

(**) Term: **14 Years**

DESCRIPTION

(21) Appl. No.: **29/403,530**

(22) Filed: **Oct. 7, 2011**

(51) **LOC (9) Cl.** **03-01**

(52) **U.S. Cl.** **D3/221; D22/134**

(58) **Field of Classification Search** D3/221;
43/54.1, 21.2, 4; 224/920; D22/134, 149,
D22/199; 242/394.1, 395, 396.6

See application file for complete search history.

FIG. 1 is a perspective view of one embodiment of the claimed assembly design;

FIG. 2 is a top view of one embodiment of the claimed assembly design;

FIG. 3 is a front view of one embodiment of the claimed assembly design;

FIG. 4 is a right side view of one embodiment of the claimed assembly design;

FIG. 5 is a rear view of one embodiment of the claimed assembly design;

FIG. 6 is a left side view of one embodiment of the claimed assembly design;

FIG. 7 is a bottom view of one embodiment of the claimed assembly design; and,

FIG. 8 is a perspective view of a second embodiment, with all other views being the same except for the belt attachment plate being on the opposite side of the base plate.

The claim herein is directed to the collective appearance of an assembly of multiple parts.

All broken lines represent environmental subject matter.

(56) **References Cited**

U.S. PATENT DOCUMENTS

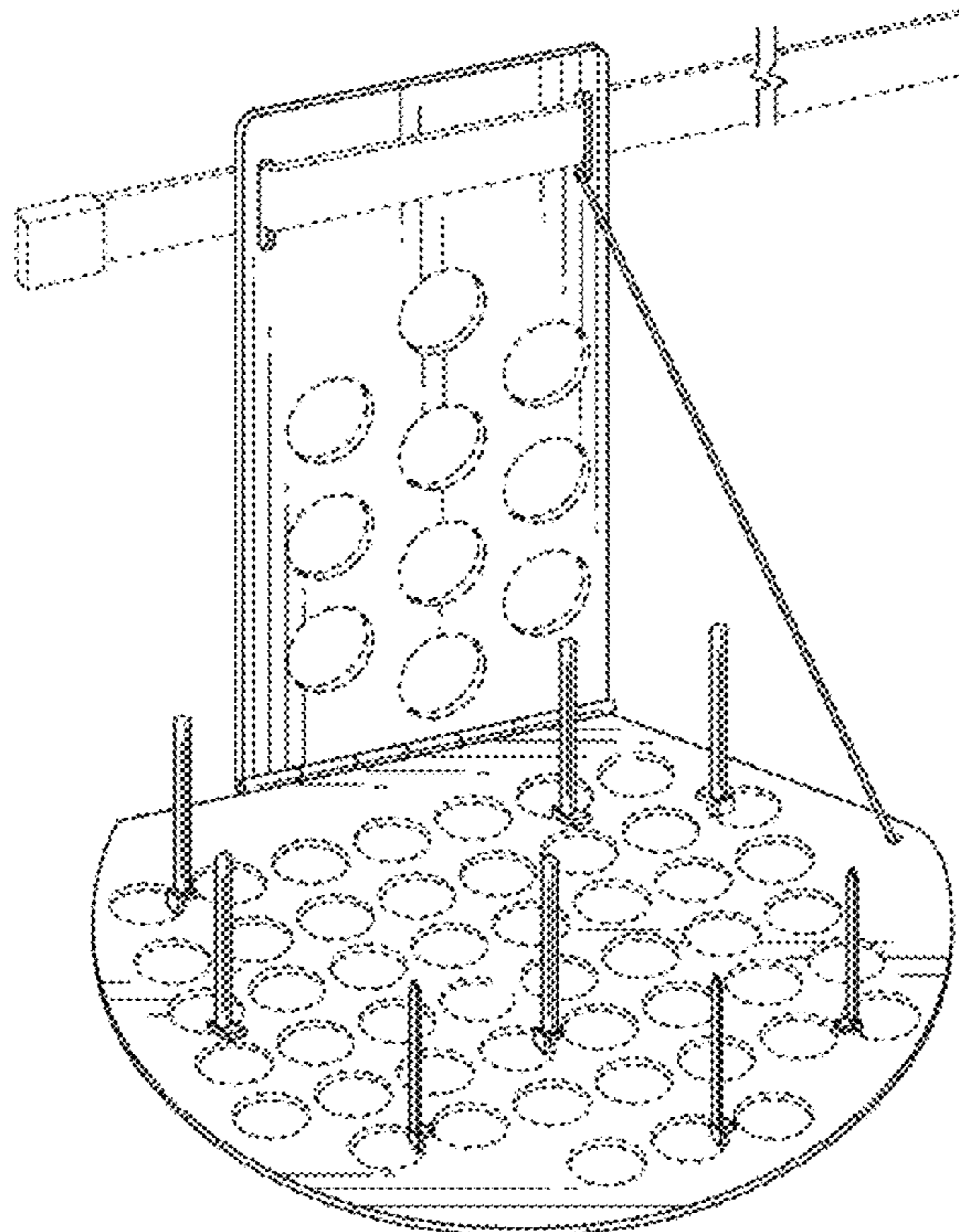
5,182,877	A *	2/1993	Burchill et al.	43/54.1
5,628,141	A *	5/1997	Crawford	43/54.1
6,119,390	A *	9/2000	Dickie	43/54.1
7,900,392	B2 *	3/2011	Musto	43/54.1

* cited by examiner

Primary Examiner — Catheri Oliver

(74) *Attorney, Agent, or Firm* — David Allen Hall

1 Claim, 5 Drawing Sheets



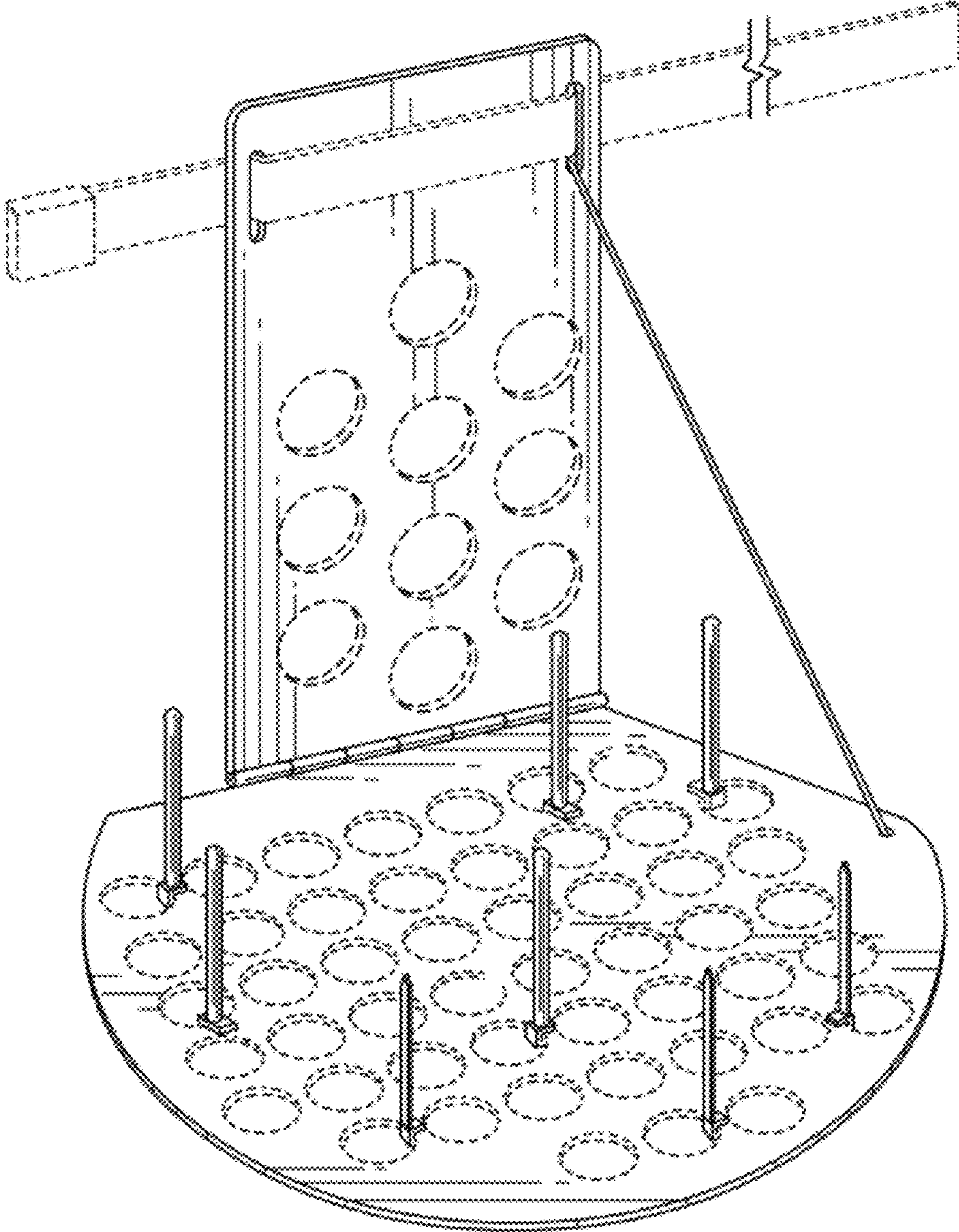


Fig. 1

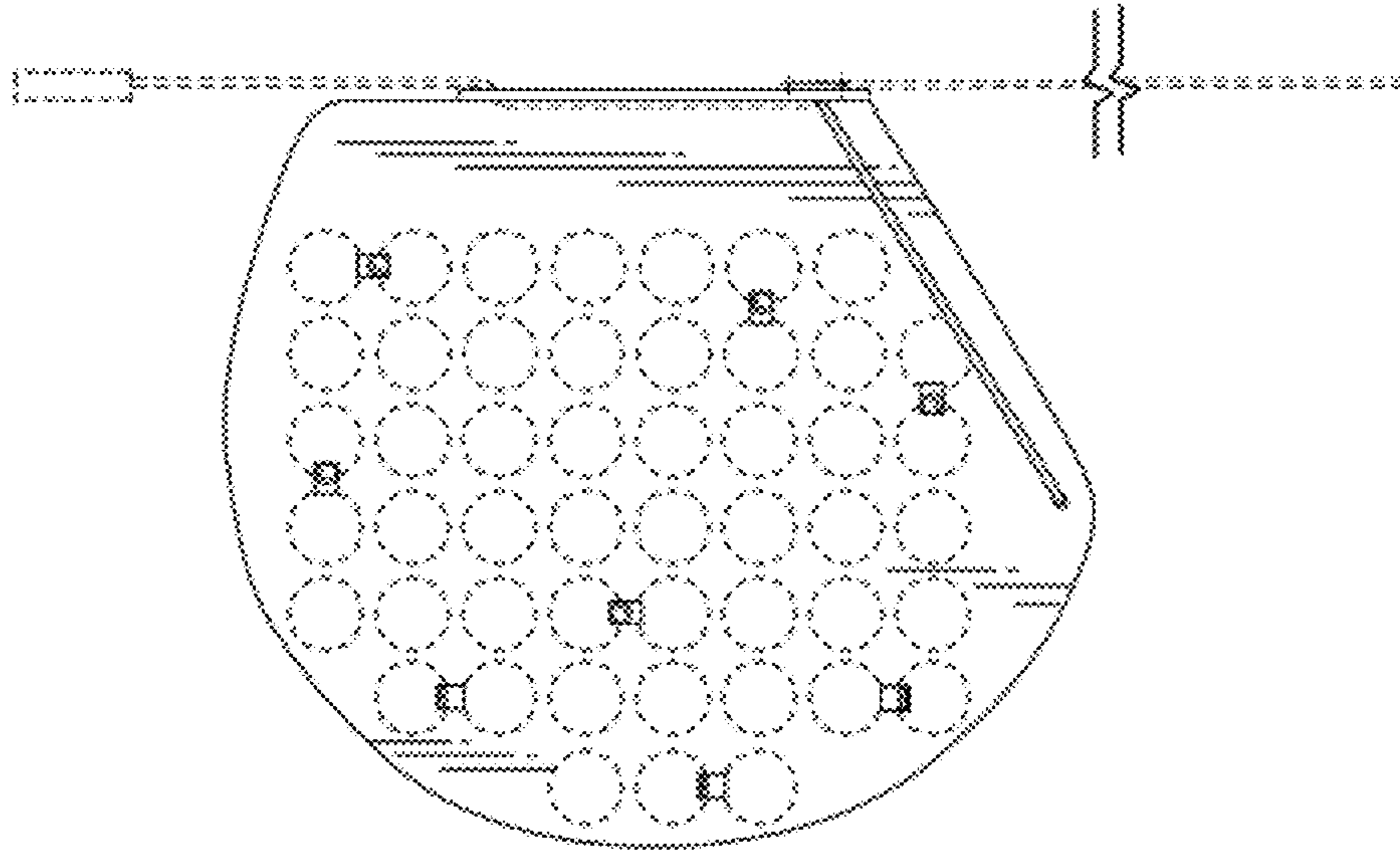


Fig. 2

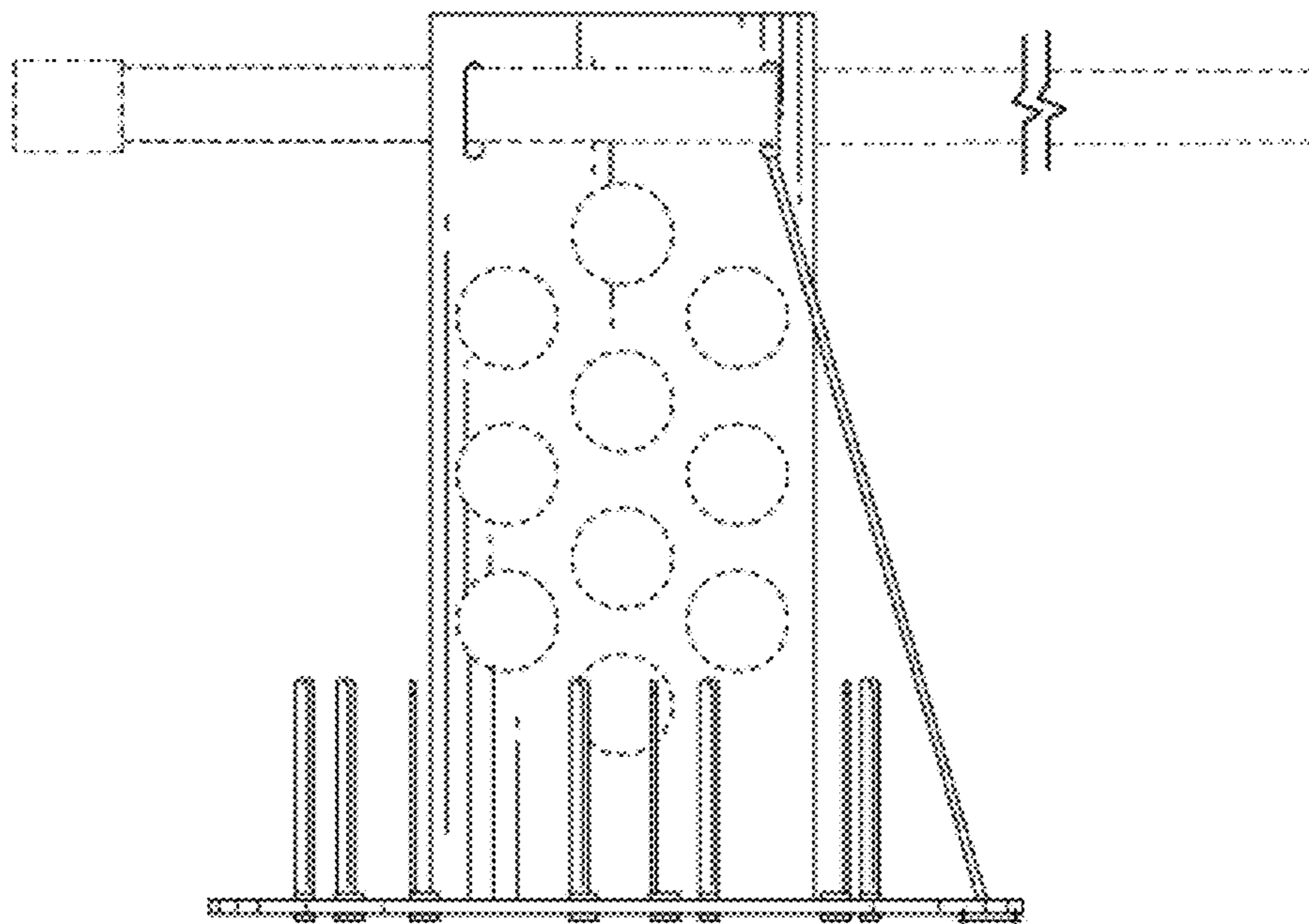


Fig. 3

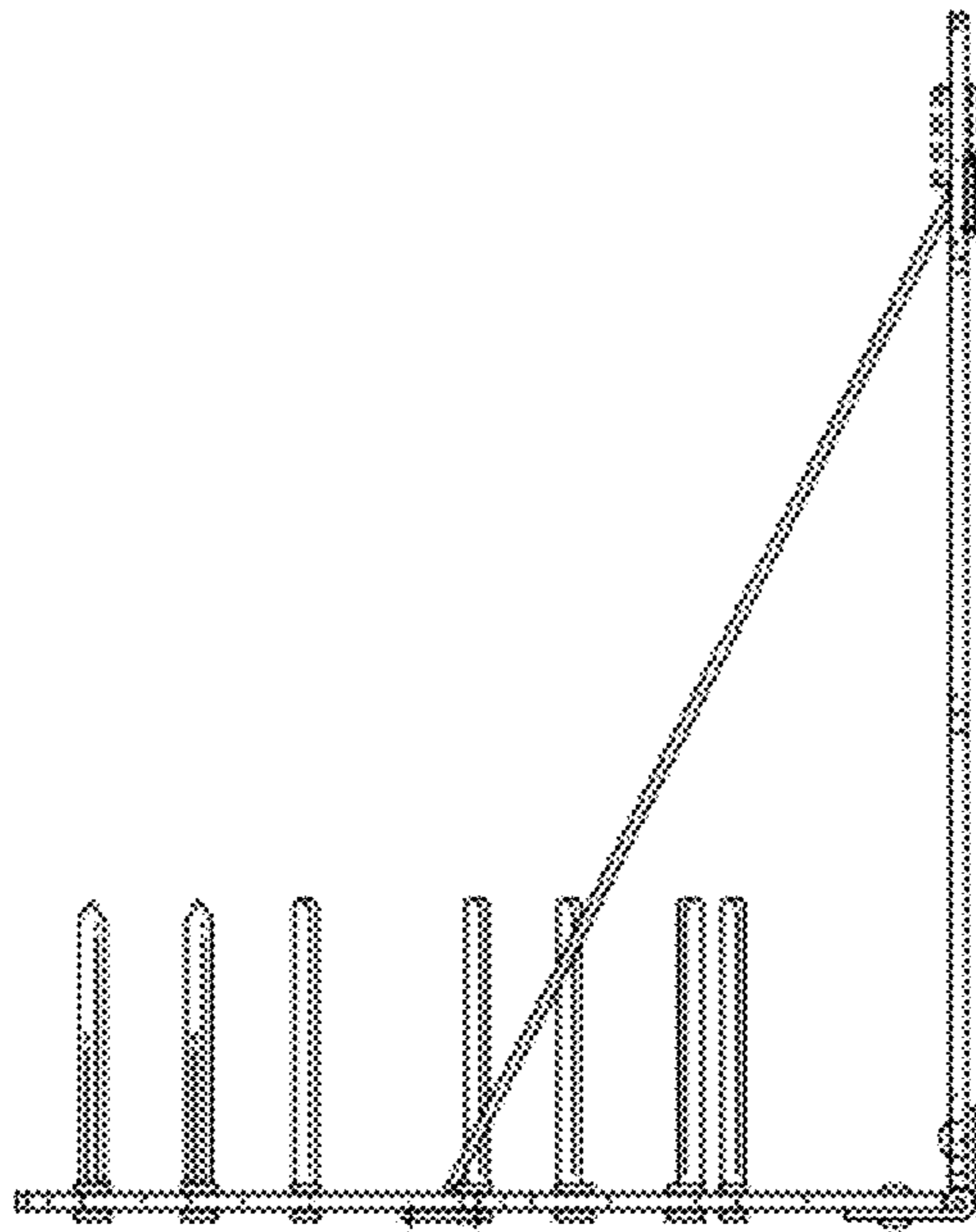


Fig. 4

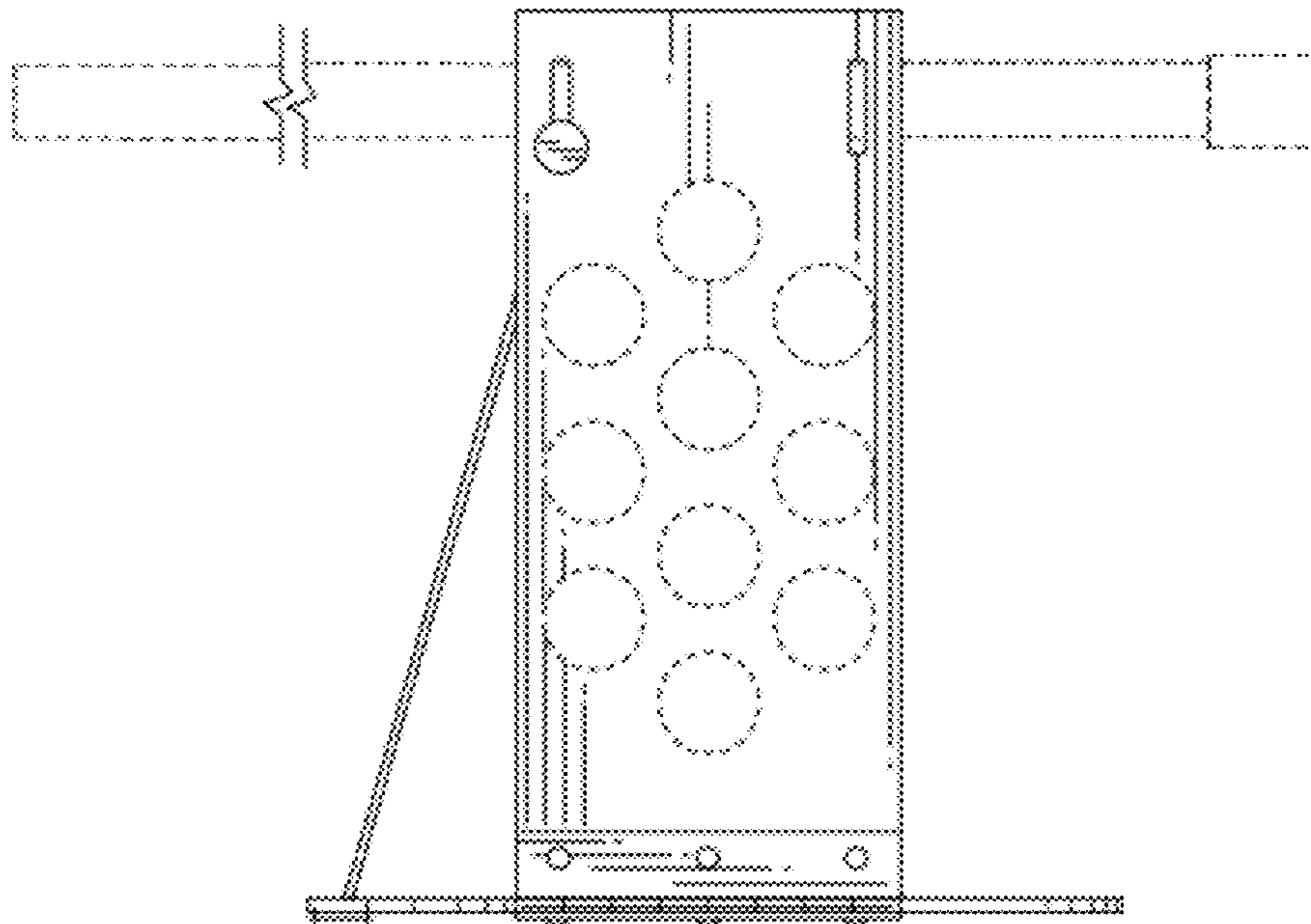


Fig. 5

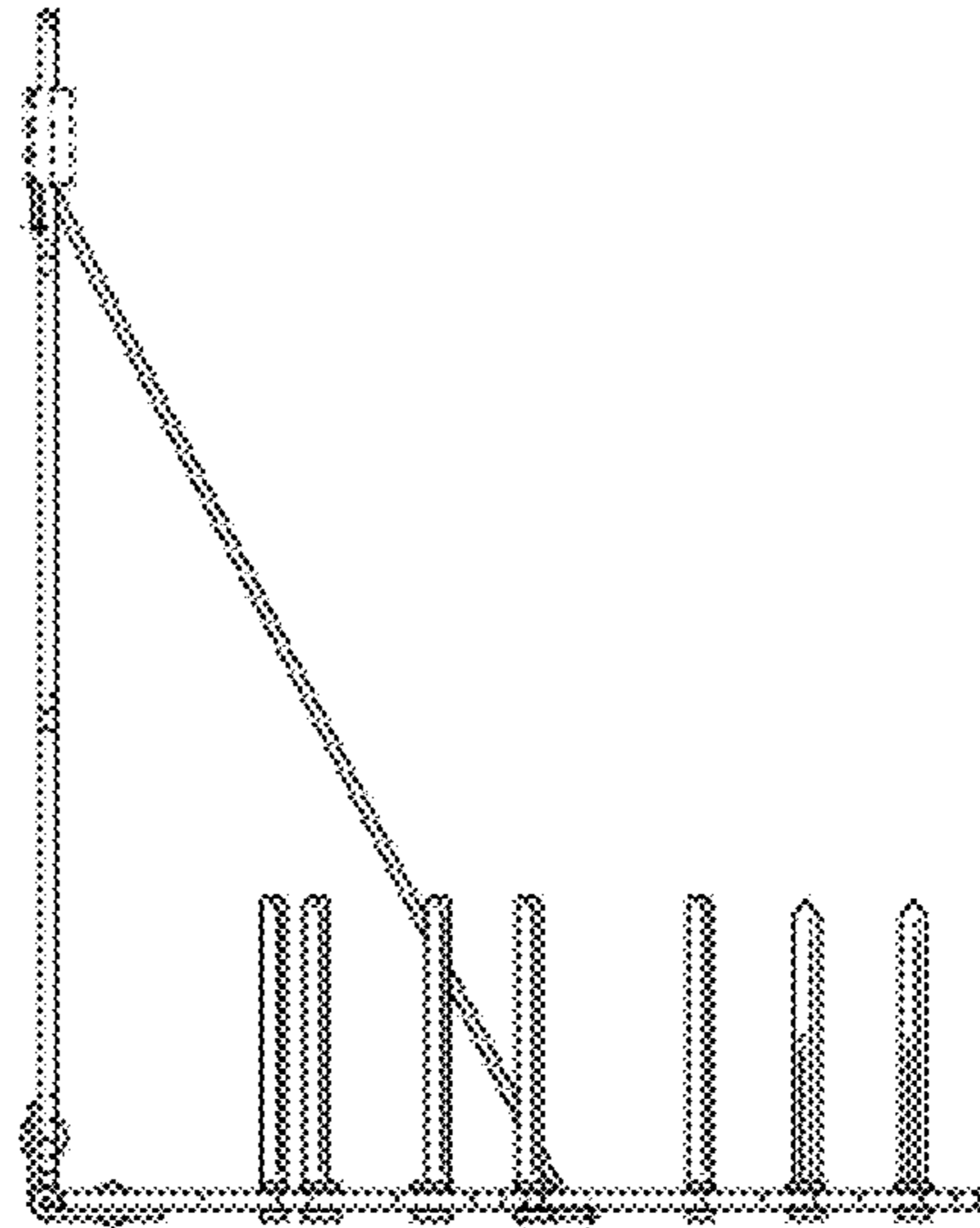


Fig. 6

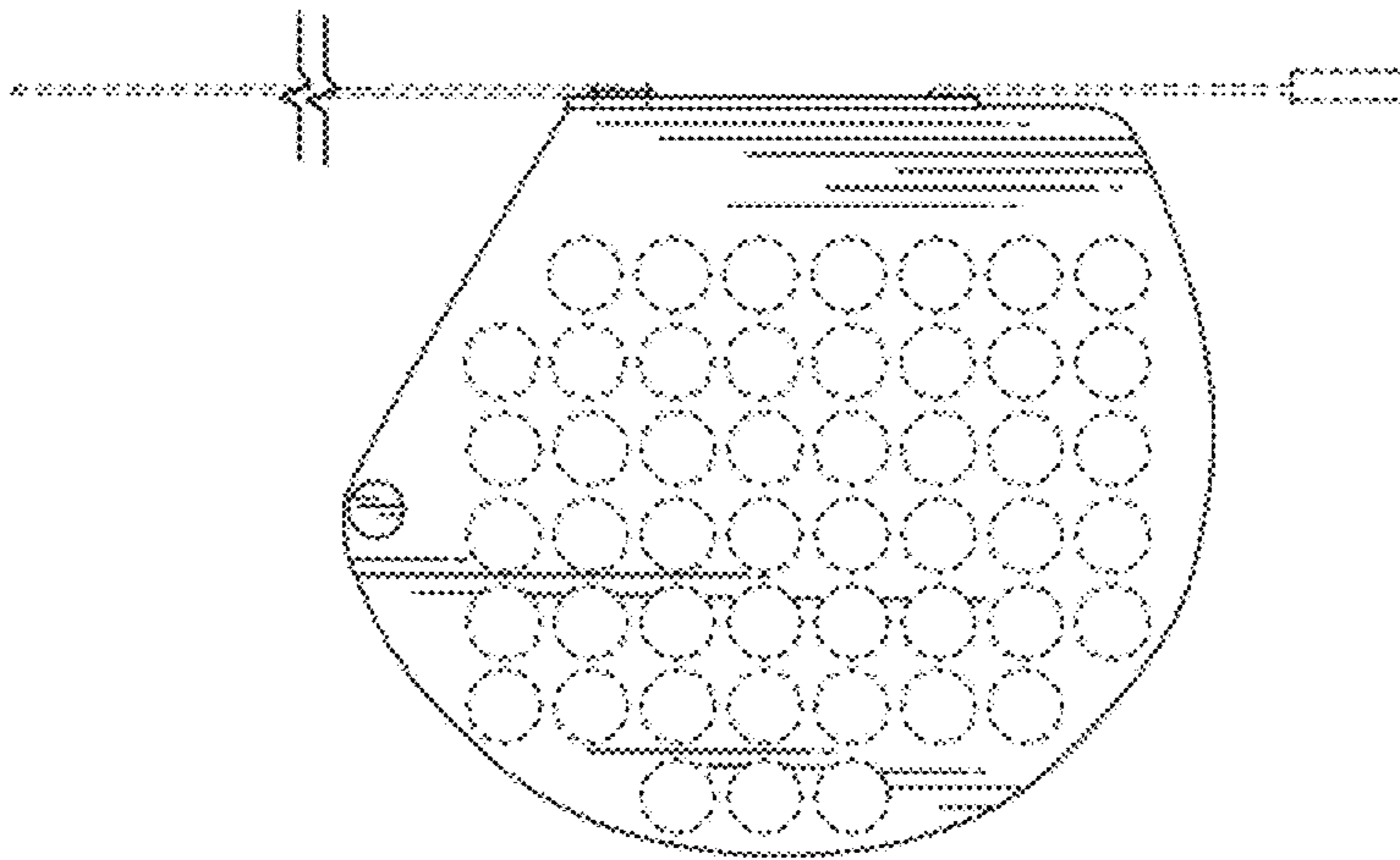


Fig. 7

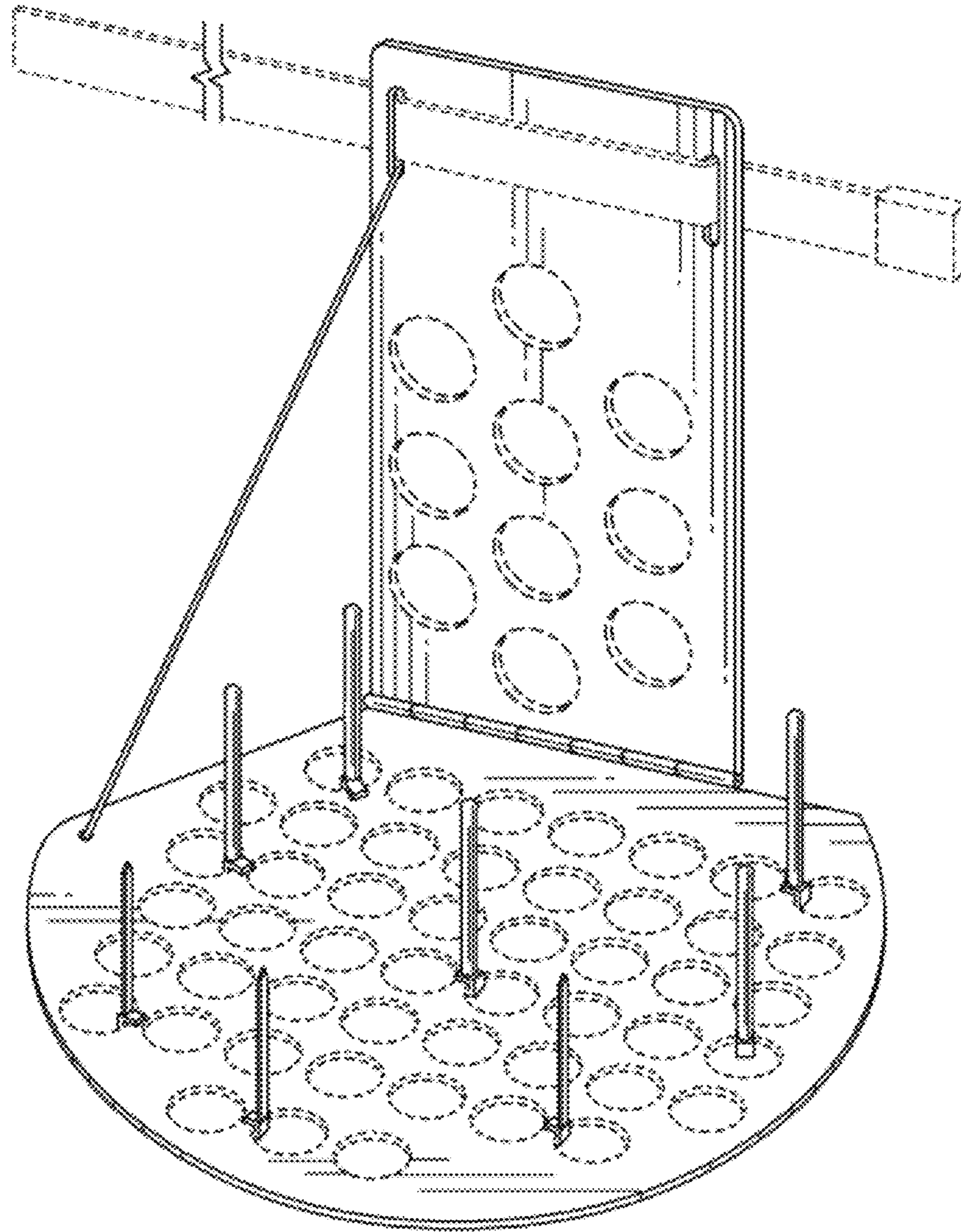


Fig. 8