

US00D659379S

(12) **United States Design Patent**
Headley

(10) **Patent No.:** **US D659,379 S**

(45) **Date of Patent:** **** May 15, 2012**

(54) **UMBRELLA HANDLE**

(75) Inventor: **Ann S. Headley**, Cincinnati, OH (US)

(73) Assignee: **totes Isotoner Corporation**, Cincinnati, OH (US)

(**) Term: **14 Years**

(21) Appl. No.: **29/397,710**

(22) Filed: **Jul. 20, 2011**

(51) **LOC (9) Cl.** **03-03**

(52) **U.S. Cl.** **D3/12**

(58) **Field of Classification Search** D3/5, 10,
D3/12, 13, 16; 135/15.1, 21, 25.4, 25.41,
135/76, 65, 66; D8/300, 303, 310
See application file for complete search history.

(56) **References Cited**

U.S. PATENT DOCUMENTS

D94,048 S	12/1934	Puckett	
D96,052 S	6/1935	Osterman	
D273,815 S *	5/1984	Allen	D3/12
D284,713 S	7/1986	Brinker	
D287,192 S *	12/1986	Cain	D3/12
D287,306 S *	12/1986	Cain	D3/12
D287,543 S *	1/1987	Cain	D3/12
D290,546 S *	6/1987	Cain	D3/12
D290,547 S *	6/1987	Cain	D3/12
D312,724 S	12/1990	Cain	
D313,309 S	1/1991	Cain	
D316,777 S	5/1991	Cain	
D317,975 S *	7/1991	Cain	D3/12
D319,342 S *	8/1991	Cain	D3/12
D321,428 S	11/1991	Cain	
D321,592 S	11/1991	Cain	
D321,781 S	11/1991	Cain	
D325,467 S	4/1992	Cain	
D379,710 S *	6/1997	Kreinces et al.	D3/12
D422,192 S	4/2000	Cleveland	
D433,793 S	11/2000	San	
6,199,571 B1	3/2001	Lin et al.	
D444,693 S	7/2001	Griese et al.	
D473,708 S	4/2003	Headley	
D477,459 S	7/2003	Kuo	
D485,056 S	1/2004	Headley	
D491,349 S	6/2004	Headley	

D518,949 S	4/2006	Wang	
D552,341 S *	10/2007	Headley	D3/12
D589,247 S	3/2009	Headley	
D648,933 S *	11/2011	Roher et al.	D3/12
2002/0157694 A1	10/2002	Chen	
2006/0144431 A1 *	7/2006	Wu	135/15.1
2007/0157958 A1 *	7/2007	Kuo	135/25.4

OTHER PUBLICATIONS

U.S. Appl. No. 29/267,118, filed Oct. 5, 2006, Headley. U.S. Appl. No. 29/267,129, filed Oct. 5, 2006, Headley. U.S. Appl. No. 29/391,156, filed May 4, 2011, Headley. Coach, Classic Signature Folding Umbrella, http://www.coach.com/content/product.aspx?product_no=10980&category_id=547 (last accessed May 19, 2008).

* cited by examiner

Primary Examiner — John Windmuller

(74) *Attorney, Agent, or Firm* — Frost Brown Todd LLC

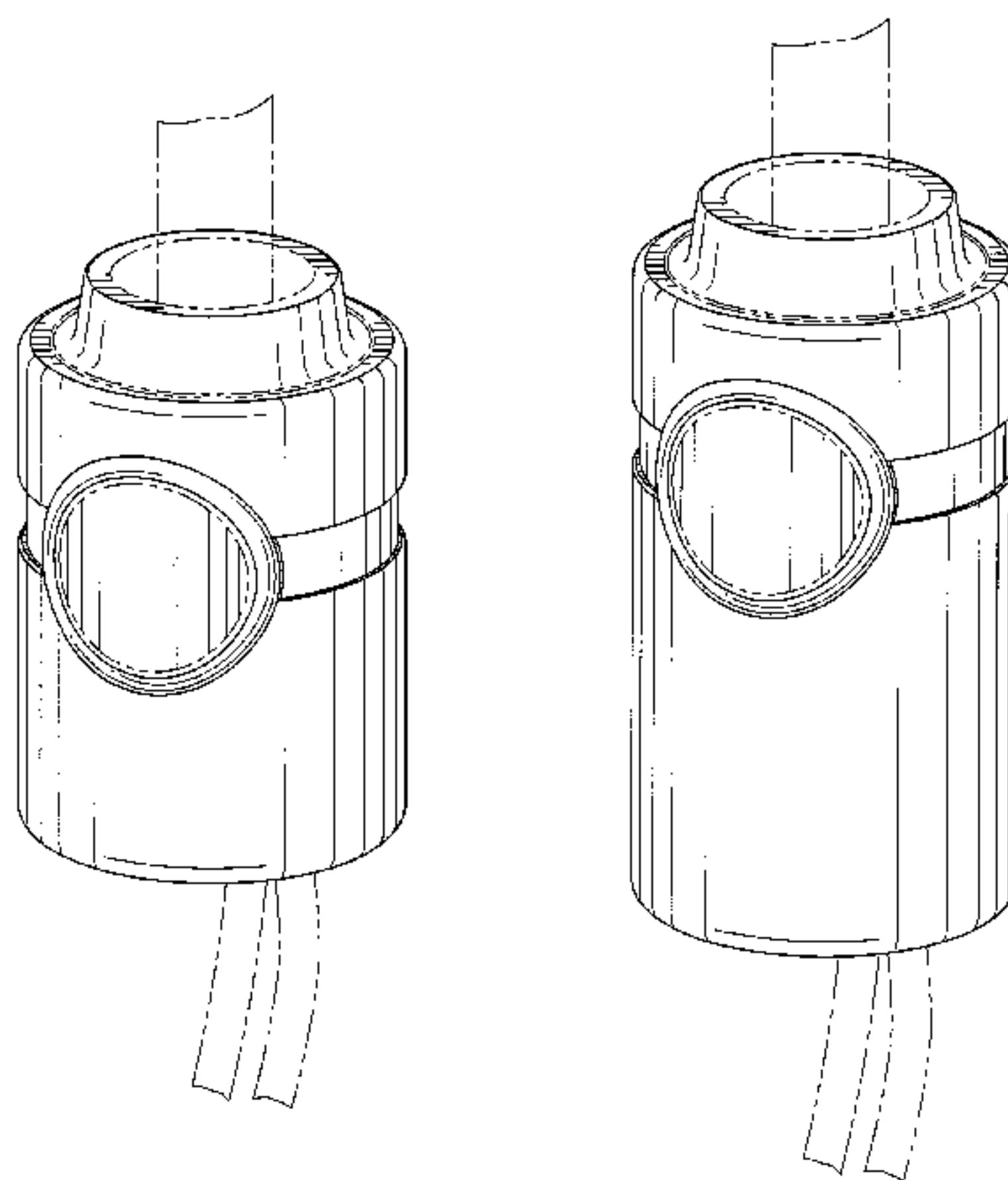
(57) **CLAIM**

The ornamental design for an umbrella handle, as shown and described.

DESCRIPTION

FIG. 1 is a perspective view of a first embodiment of an umbrella handle showing my new design. FIG. 2 is a front elevation view thereof. FIG. 3 is a rear elevation view thereof. FIG. 4 is a side elevation view thereof, the opposite side being a mirror image thereof. FIG. 5 is a bottom plan view thereof. FIG. 6 is a top plan view thereof. FIG. 7 is a perspective view of a second embodiment of an umbrella handle showing my new design. FIG. 8 is a front elevation view thereof. FIG. 9 is a rear elevation view thereof. FIG. 10 is a side elevation view thereof, the opposite side being a mirror image thereof. FIG. 11 is a bottom plan view thereof; and, FIG. 12 is a top plan view thereof. The broken lines in the drawings are included for purposes of illustrating portions of the umbrella handle that form no part of the claimed design.

1 Claim, 6 Drawing Sheets



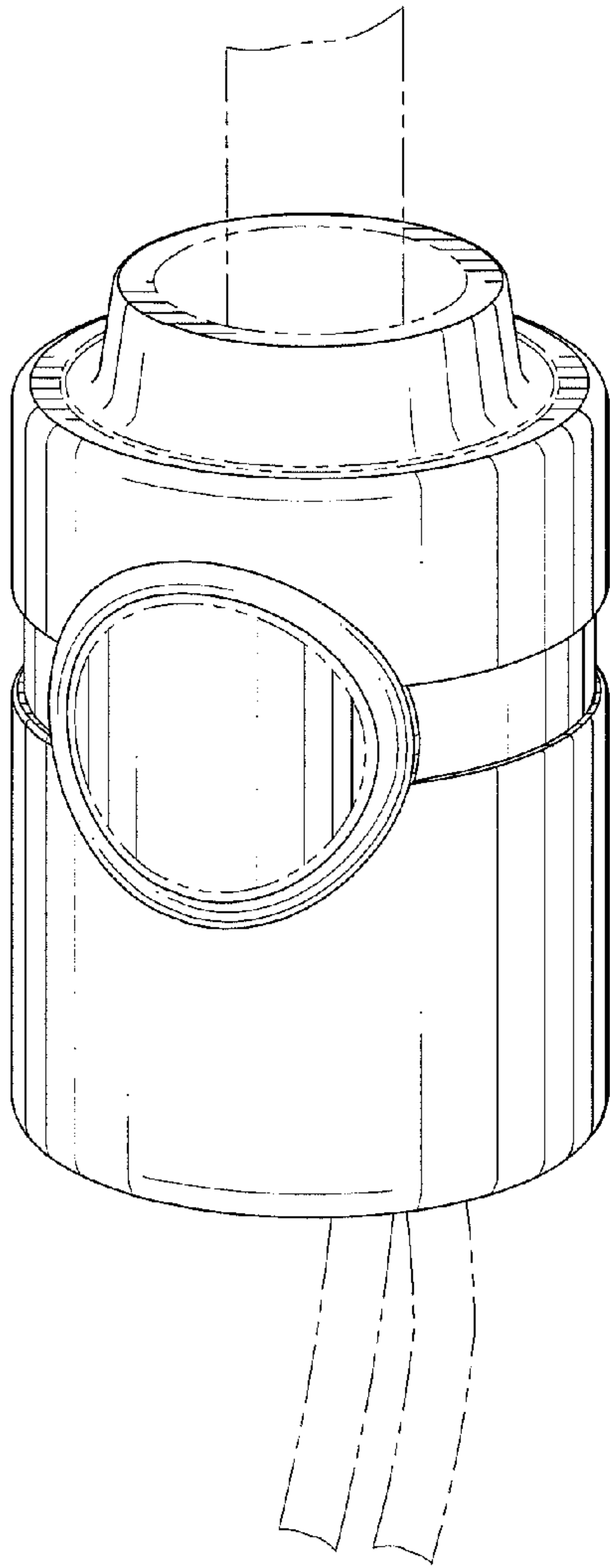


Fig. 1

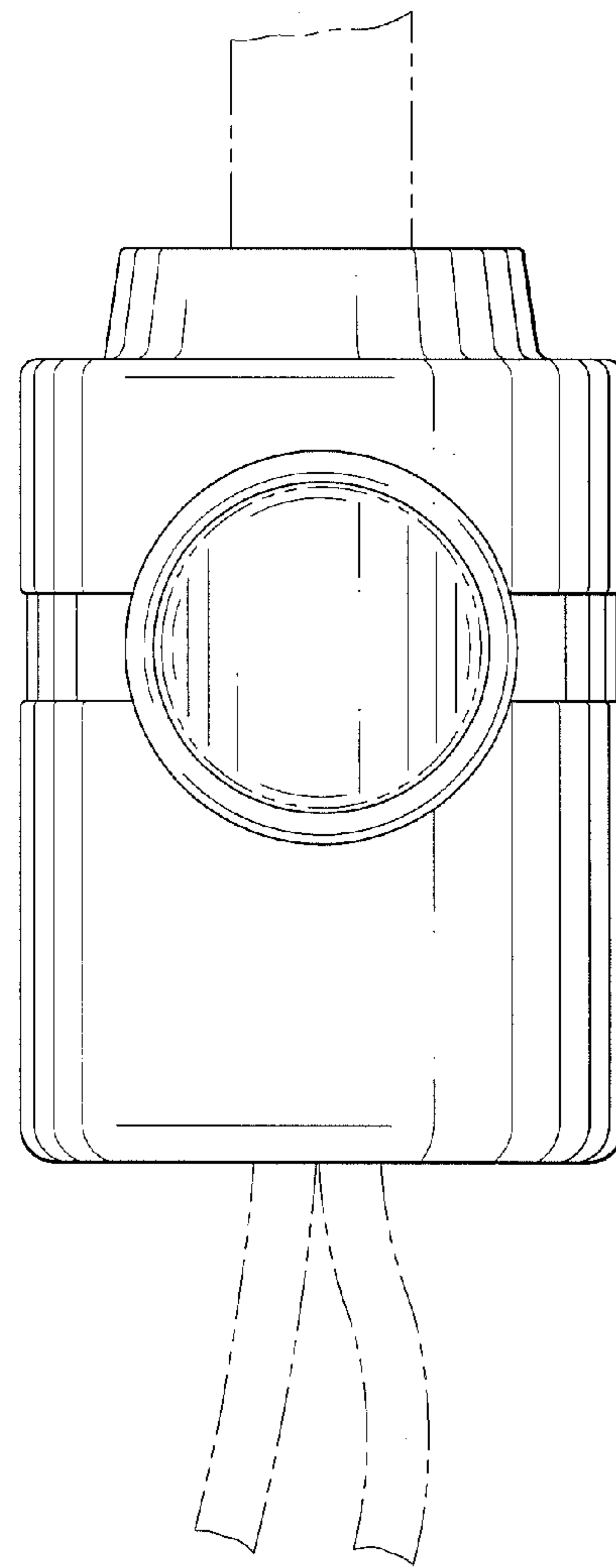


Fig. 2

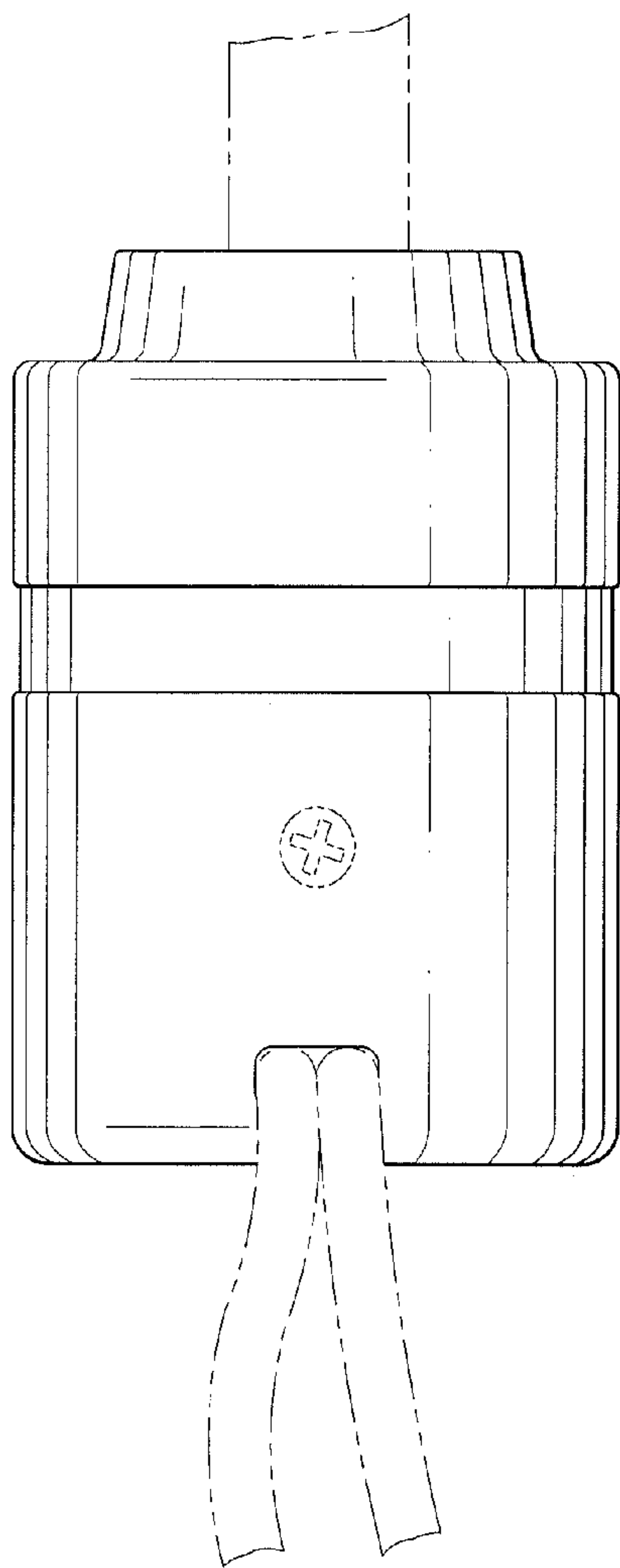


Fig.3

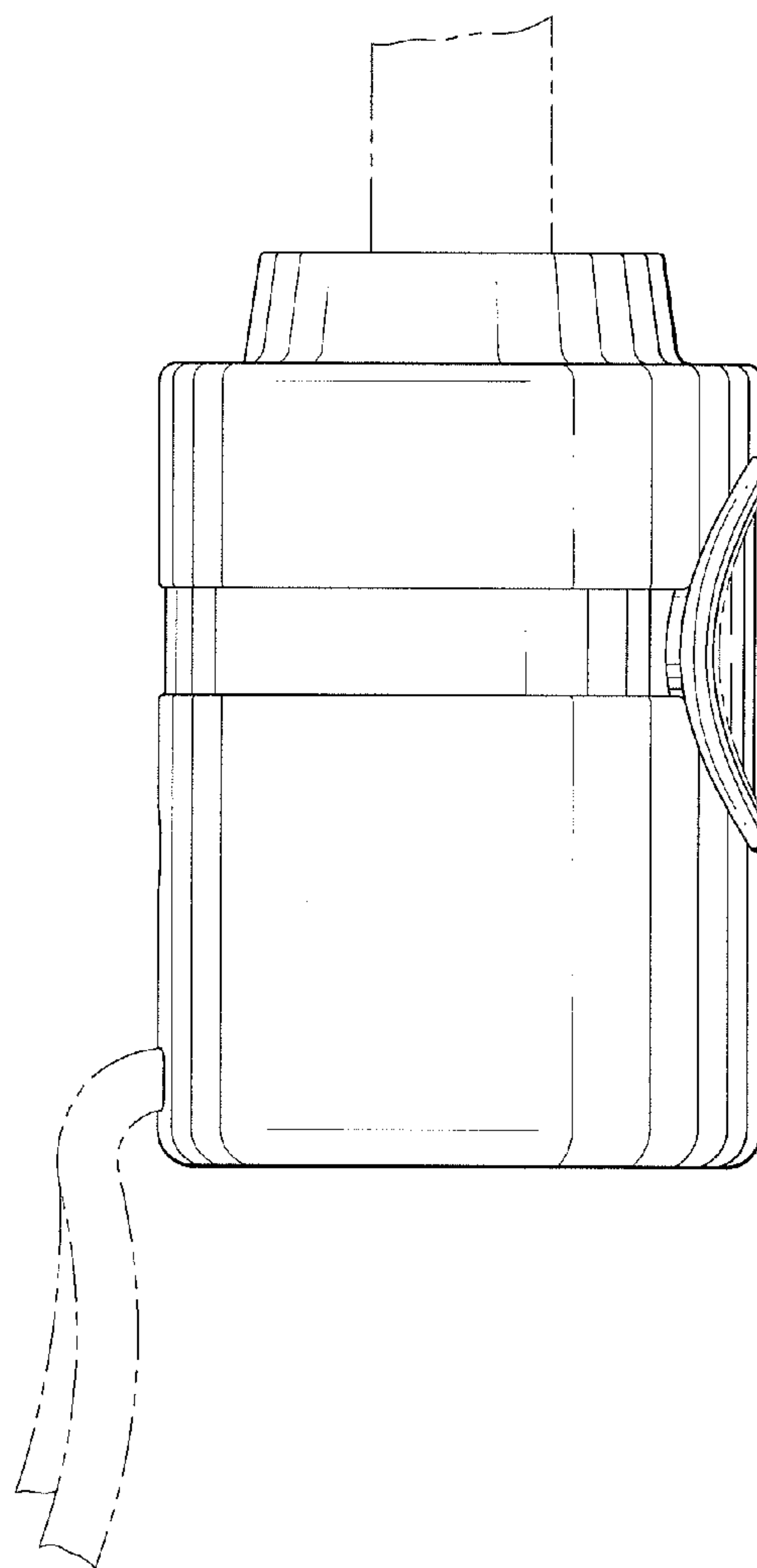


Fig.4

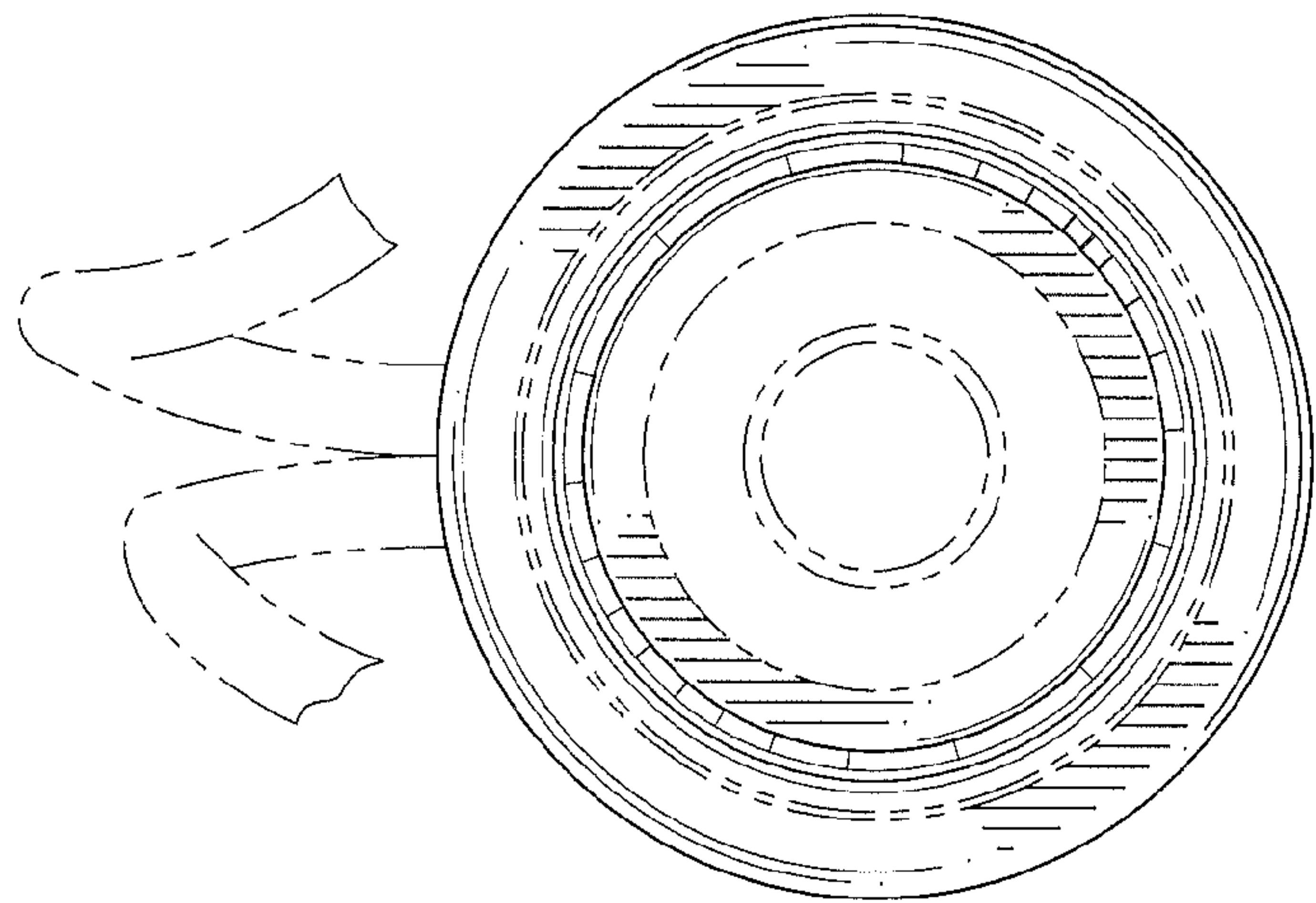


Fig. 5

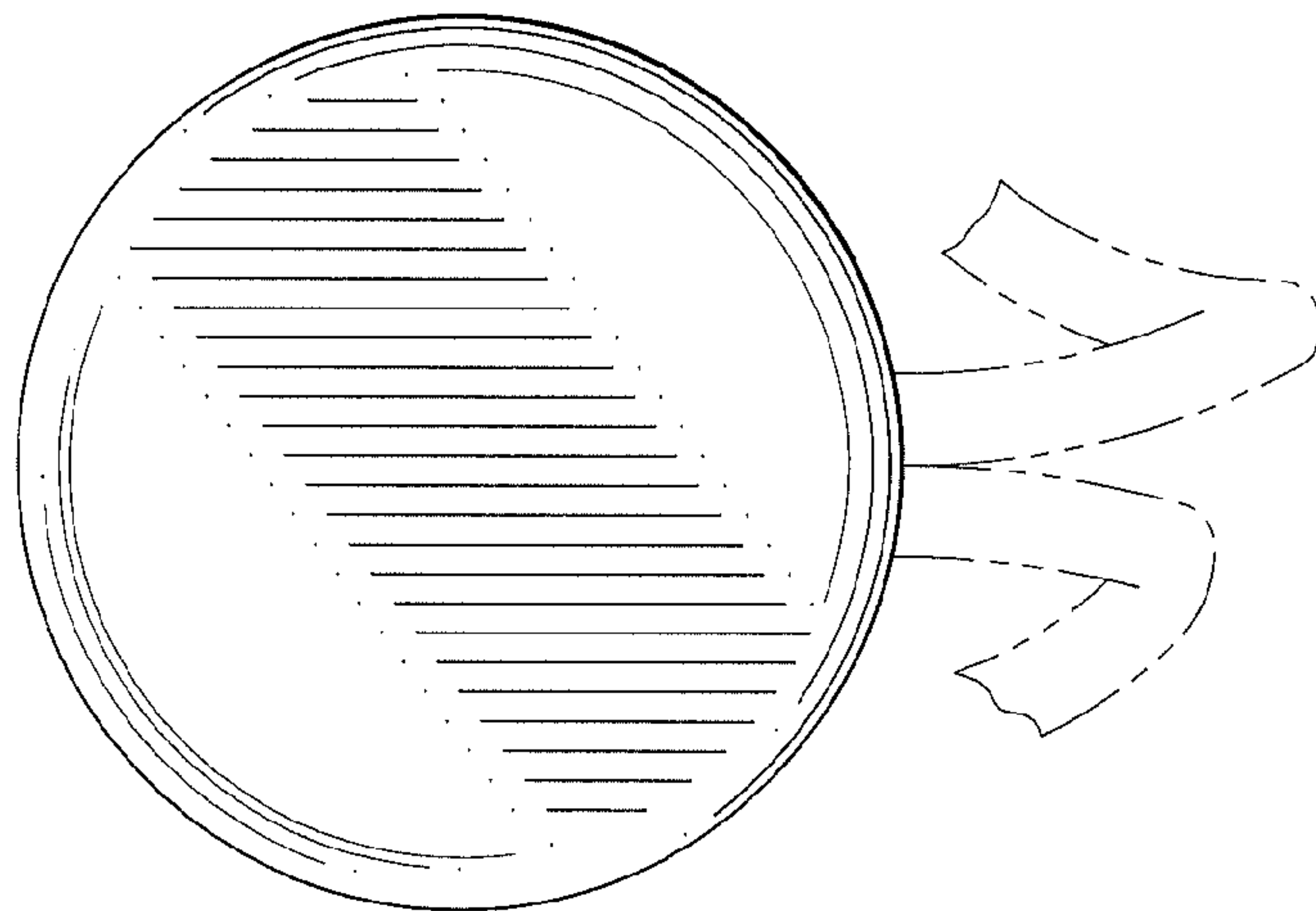


Fig. 6

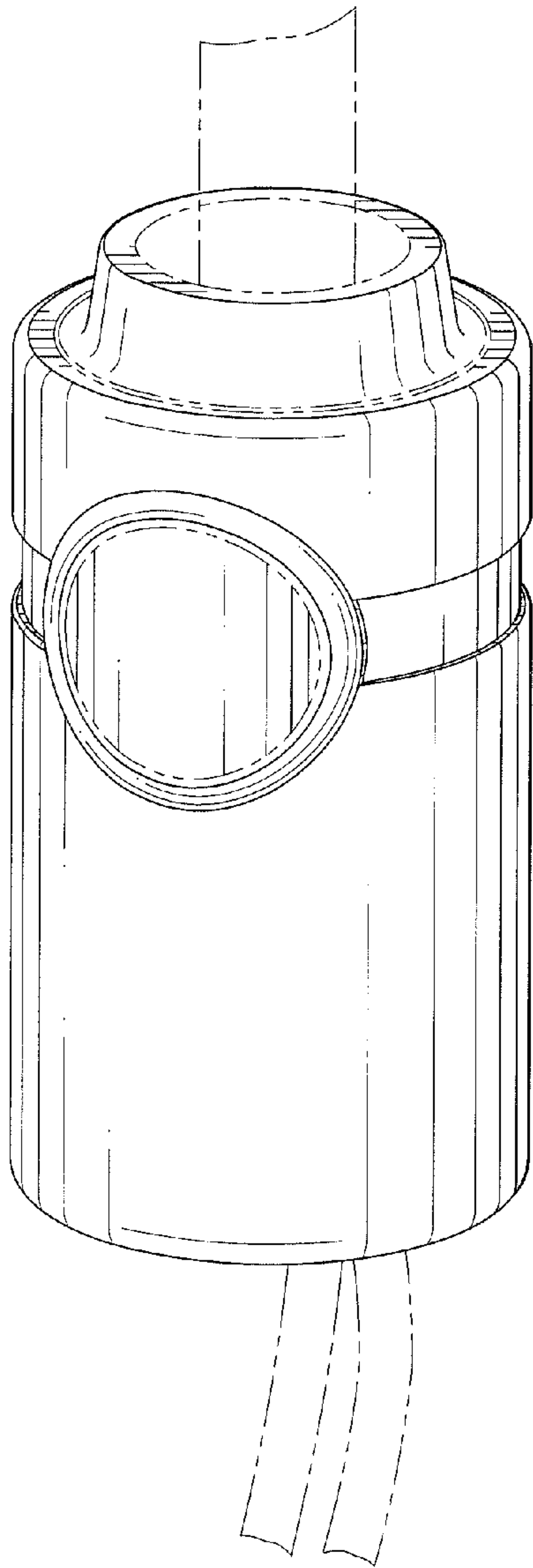


Fig.7

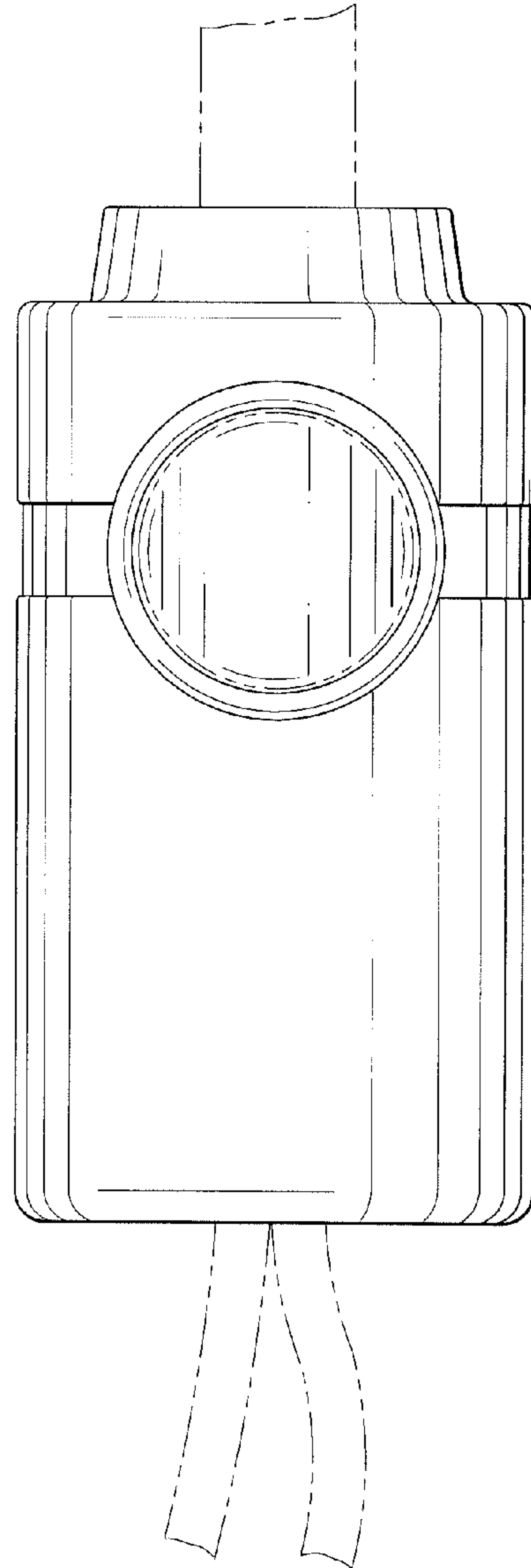


Fig.8

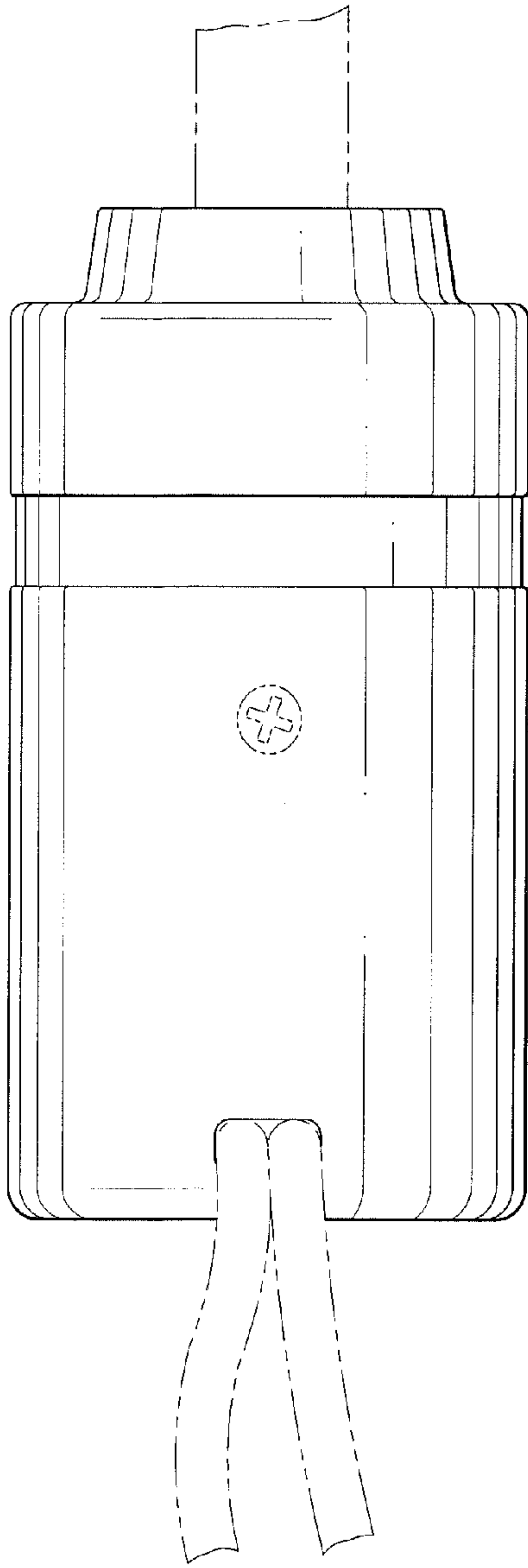


Fig. 9

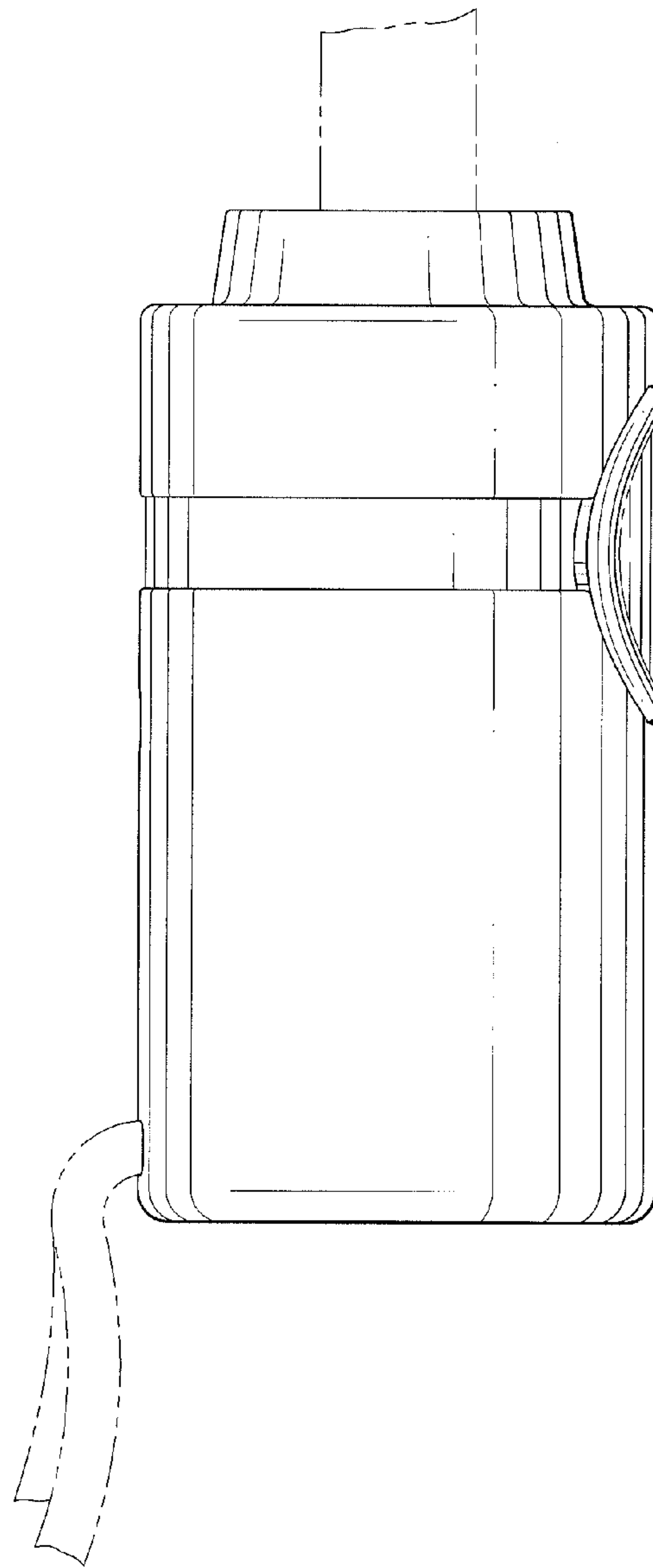


Fig. 10

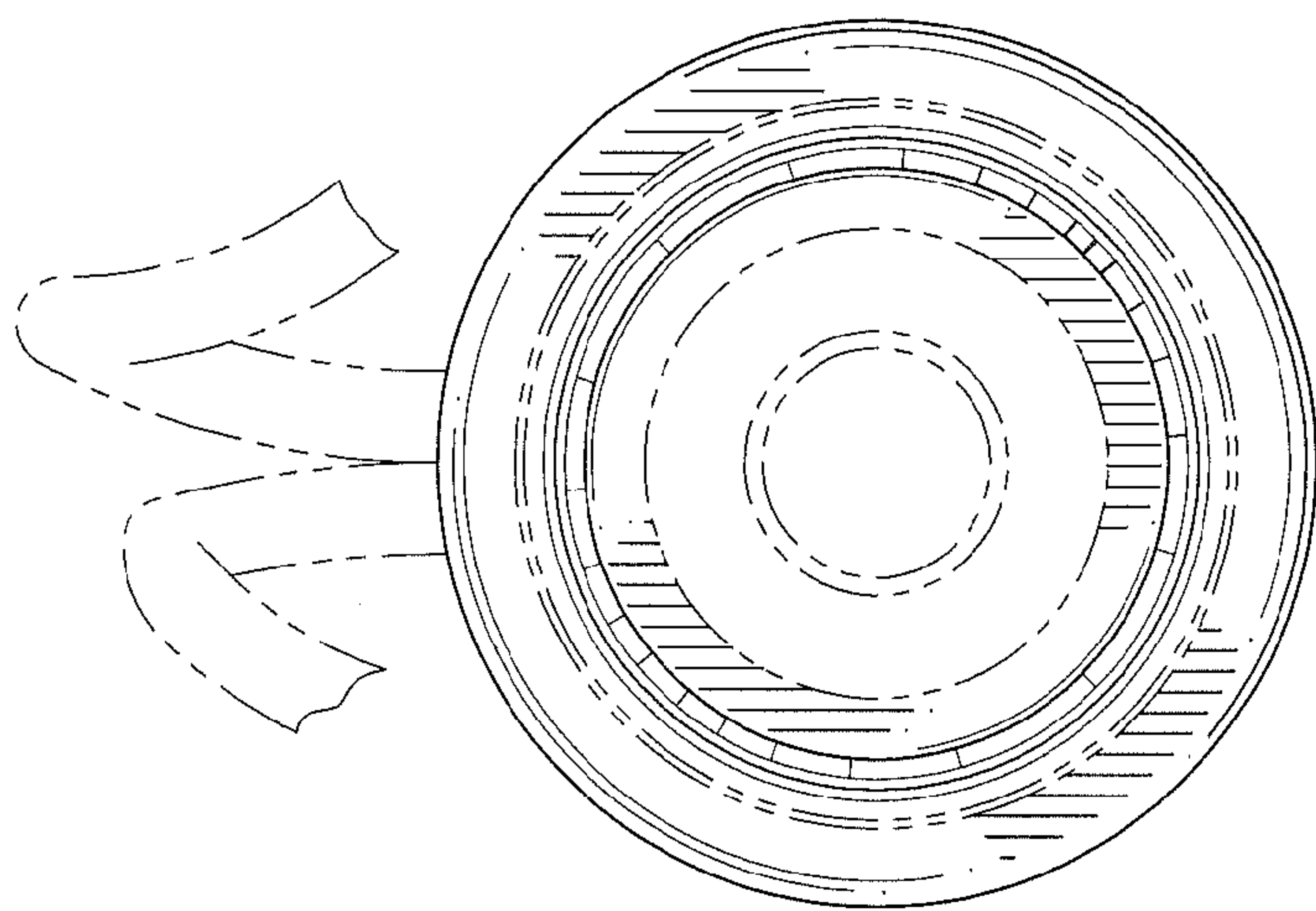


Fig. 12

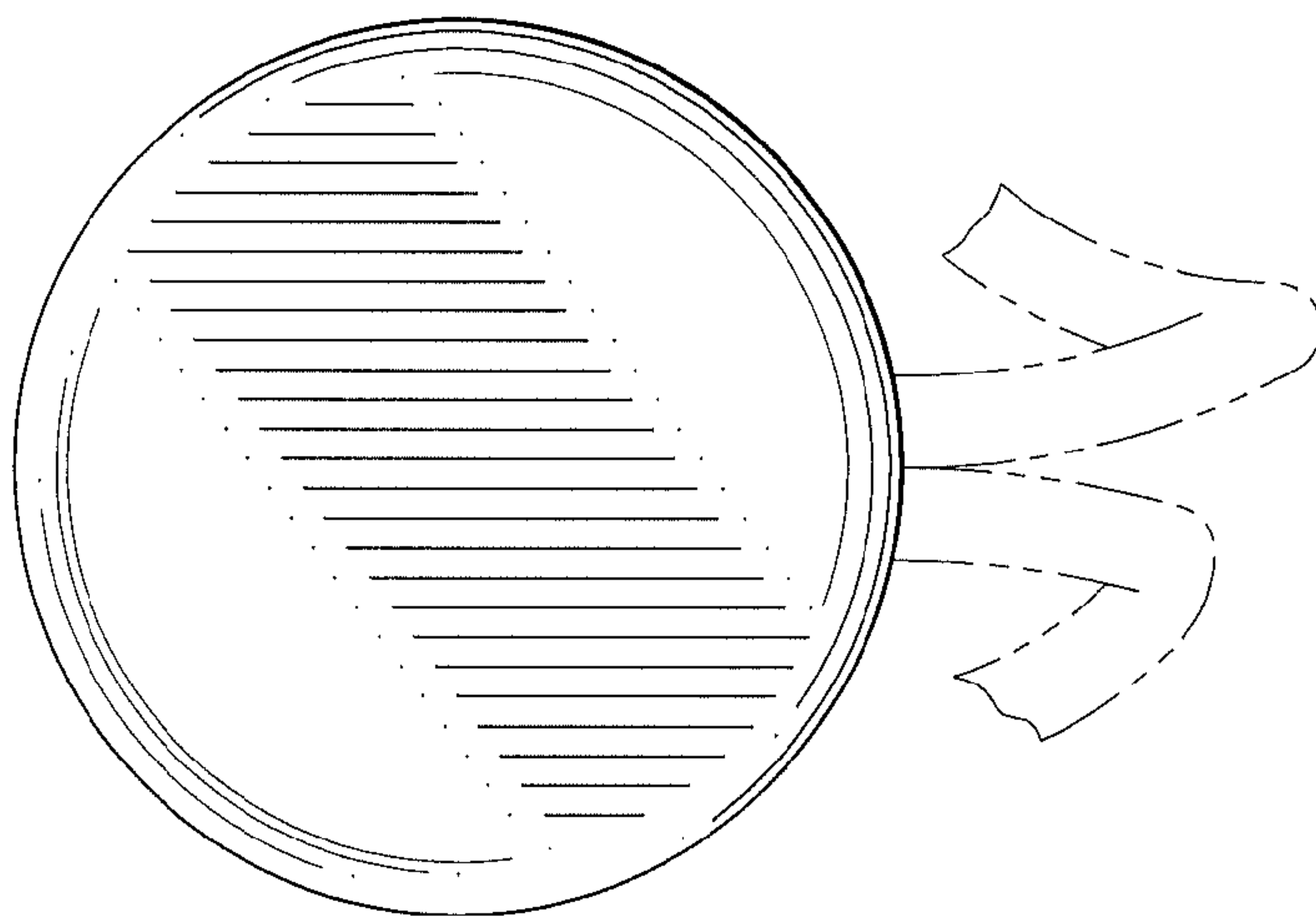


Fig. 11