



US00D659377S

(12) **United States Design Patent**  
**Chen**

(10) **Patent No.:** **US D659,377 S**

(45) **Date of Patent:** **\*\* May 15, 2012**

(54) **FOOTWEAR WELT**

(75) Inventor: **Eddie Chen, Tai-Chung (TW)**

(73) Assignee: **C2 Corporation, Tai-chung (TW)**

(\*\*) Term: **14 Years**

(21) Appl. No.: **29/377,354**

(22) Filed: **Oct. 20, 2010**

(51) **LOC (9) Cl.** ..... **02-99**

(52) **U.S. Cl.** ..... **D2/977**

(58) **Field of Classification Search** ..... D2/977;  
36/78

See application file for complete search history.

(56) **References Cited**

**U.S. PATENT DOCUMENTS**

641,877	A *	1/1900	Merriam	36/78
1,603,178	A *	10/1926	Wilson	36/78
1,944,805	A *	1/1934	Osborne	36/78
2,098,911	A *	11/1937	Brown	36/78
D163,559	S *	6/1951	Batchelder, Jr.	D2/977
D163,560	S *	6/1951	Batchelder, Jr.	D2/977
2,753,636	A *	7/1956	Withington, Jr.	36/78
3,623,174	A *	11/1971	Greene et al.	36/78
4,651,443	A *	3/1987	Eckstrom	36/78
D377,561	S *	1/1997	McClelland	D2/977
D422,133	S *	4/2000	Ho	D2/977
D646,476	S *	10/2011	Chen	D2/977

\* cited by examiner

*Primary Examiner* — Dominic Simone

(74) *Attorney, Agent, or Firm* — Hamre, Schumann, Mueller & Larson, P.C.

(57) **CLAIM**

The ornamental design for a footwear welt, as shown and described.

**DESCRIPTION**

FIG. 1 is a perspective view of footwear welt showing my new design;

FIG. 2 is a front elevational view thereof;

FIG. 3 is a rear elevational view thereof;

FIG. 4 is a left side elevational view thereof;

FIG. 5 is a right side elevational view thereof;

FIG. 6 is a top plan view thereof;

FIG. 7 is a bottom plan view thereof;

FIG. 8 is a perspective view of the second embodiment of FIG. 1;

FIG. 9 is a front elevational view thereof;

FIG. 10 is a rear elevational view thereof;

FIG. 11 is a left side elevational view thereof;

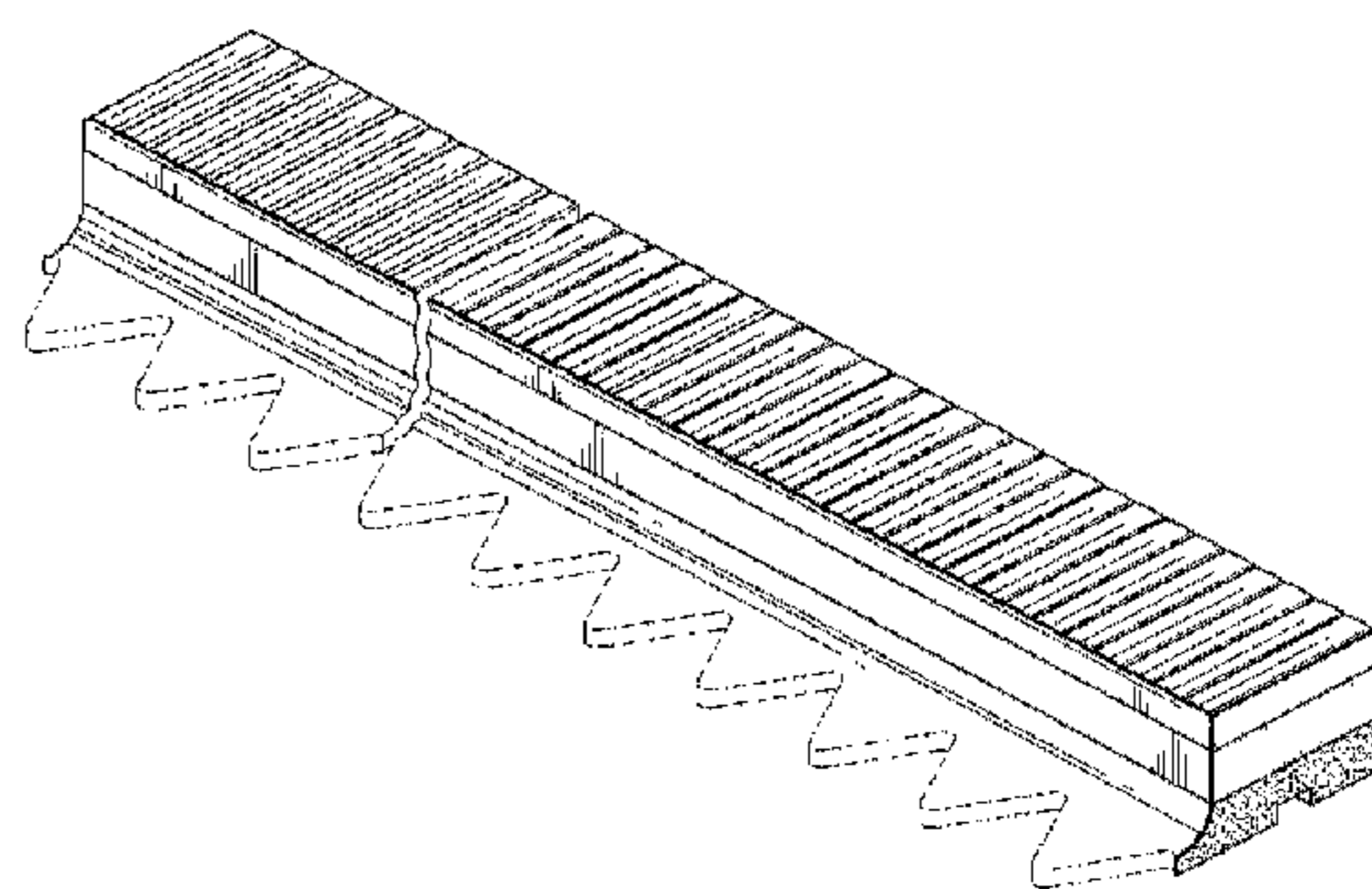
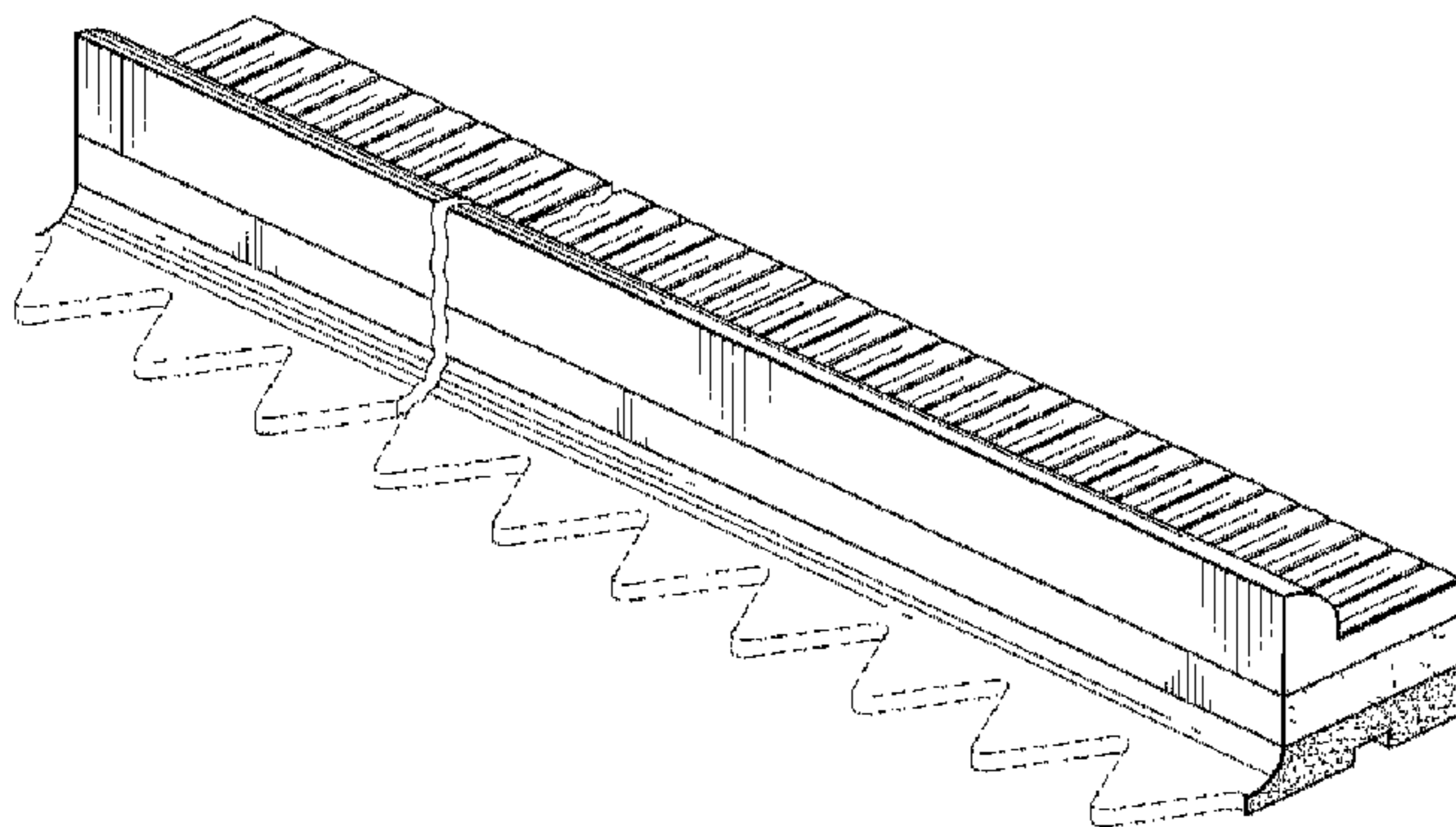
FIG. 12 is a right side elevational view thereof;

FIG. 13 is a top plan view thereof; and,

FIG. 14 is a bottom plan view thereof.

The broken line showing of environment is for illustrative purposes only and forms no part of the claimed design.

**1 Claim, 8 Drawing Sheets**



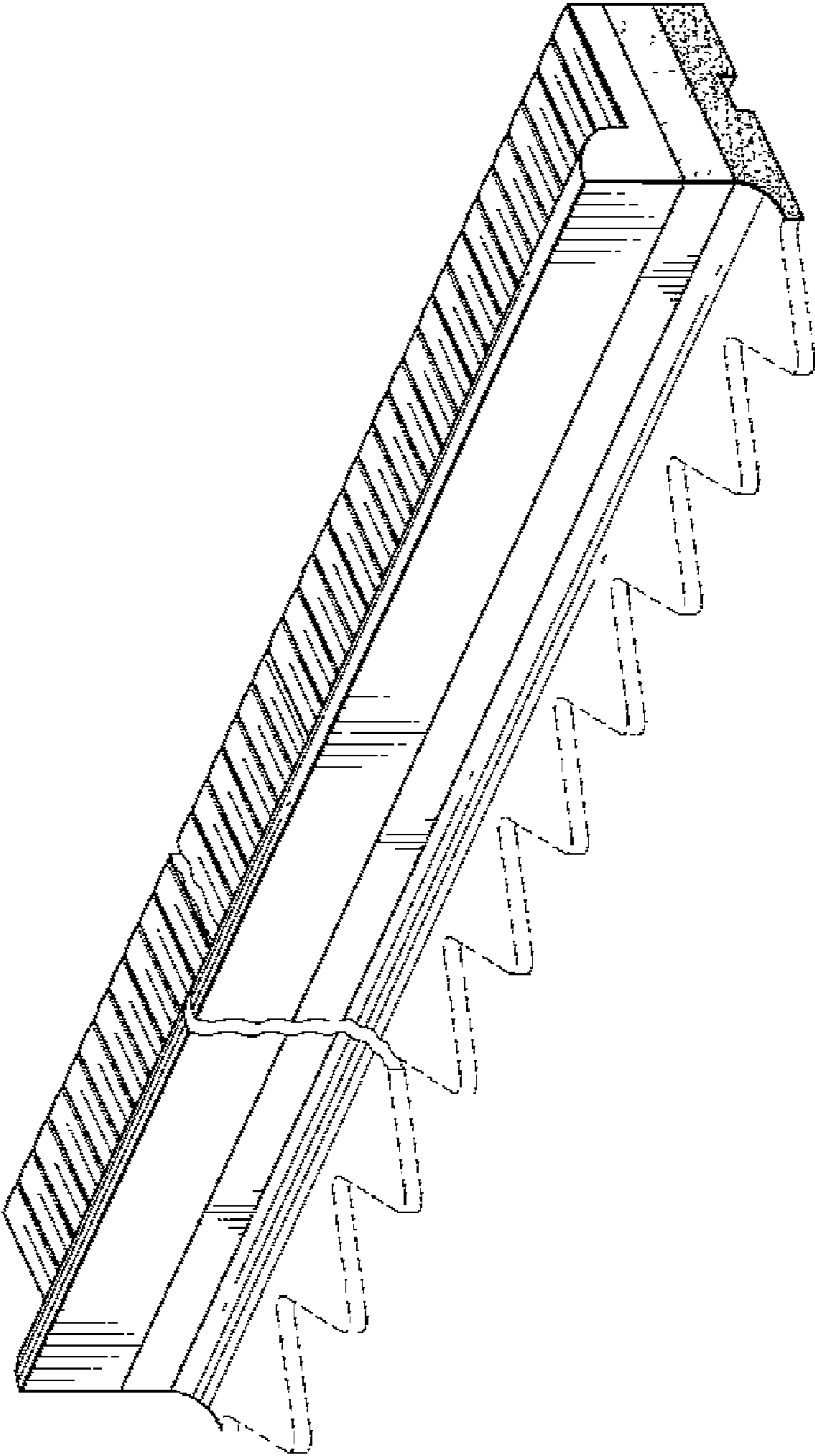


FIG. 1

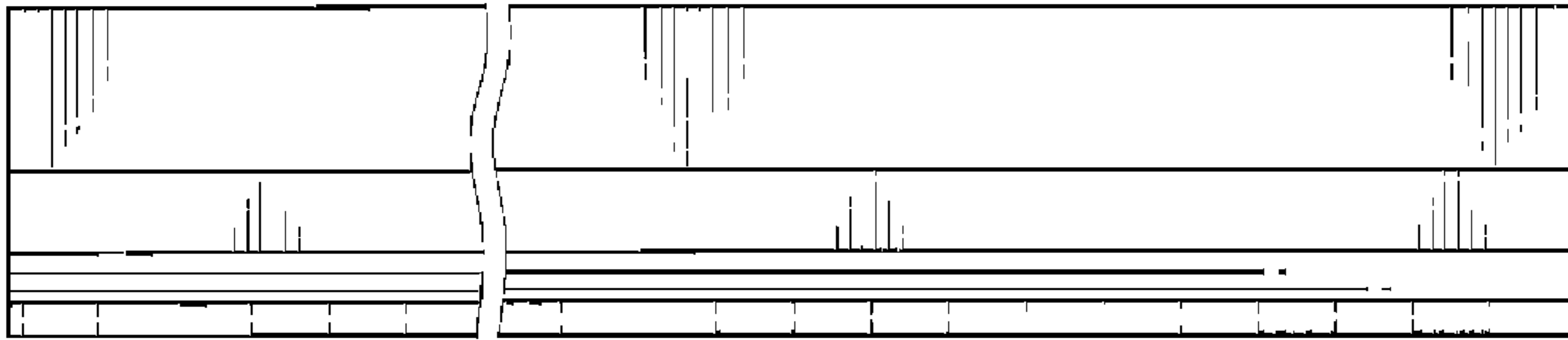


FIG. 2

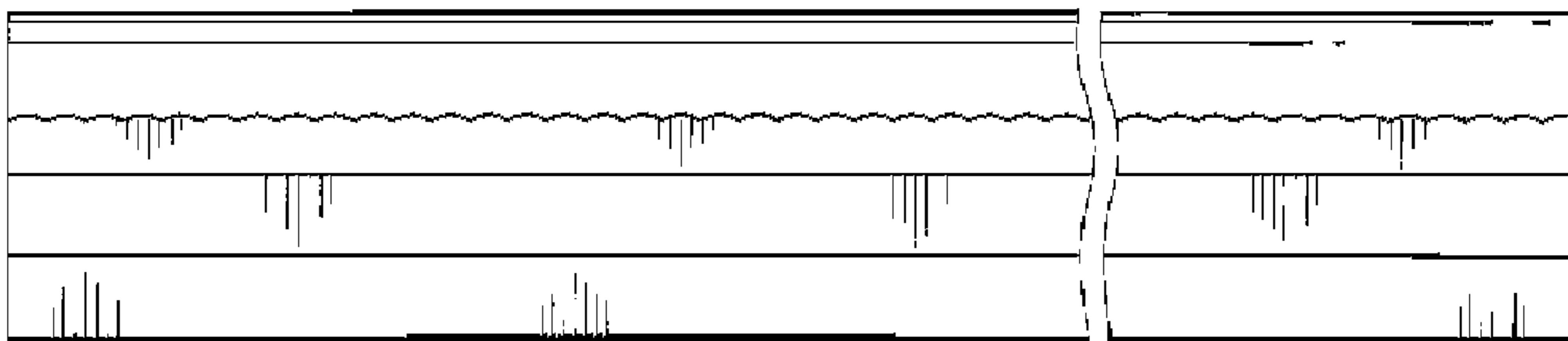


FIG. 3

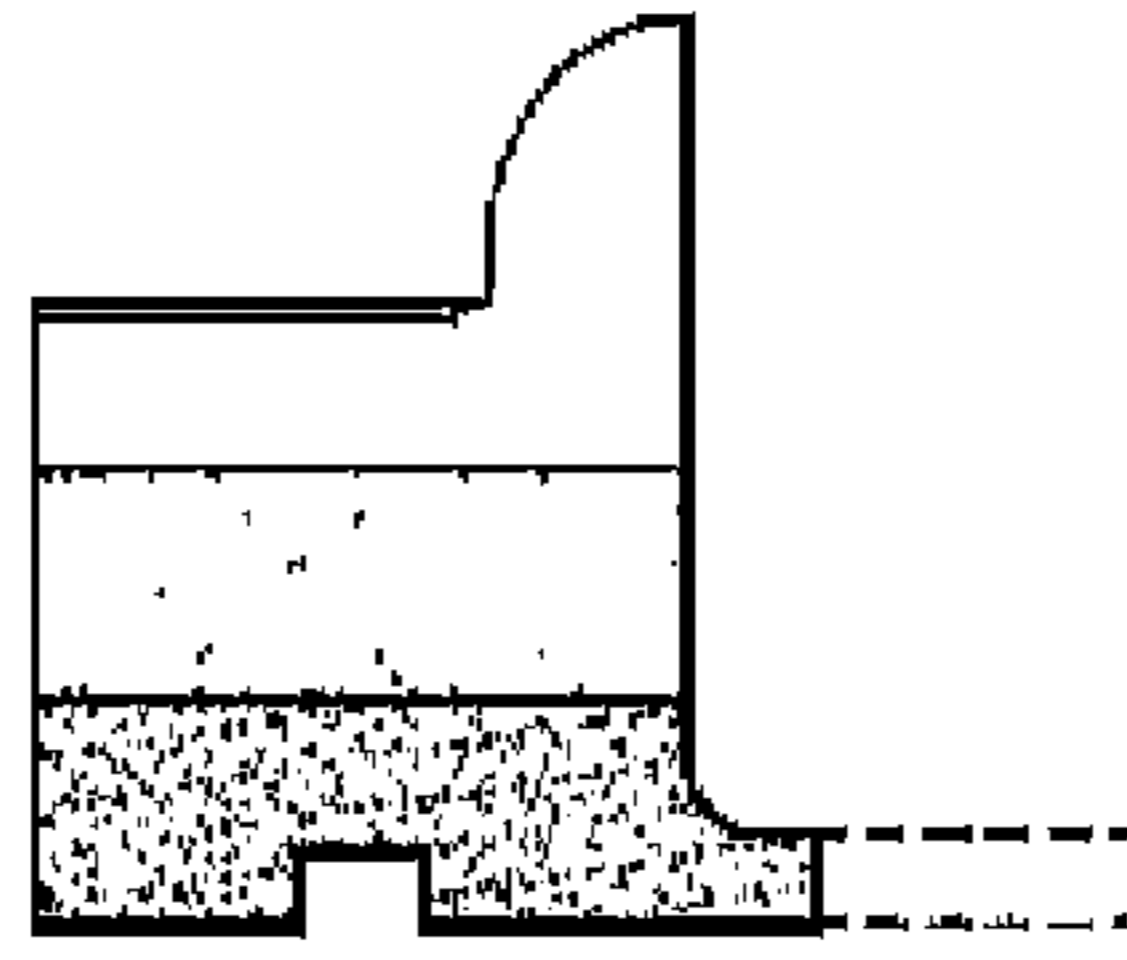


FIG. 4

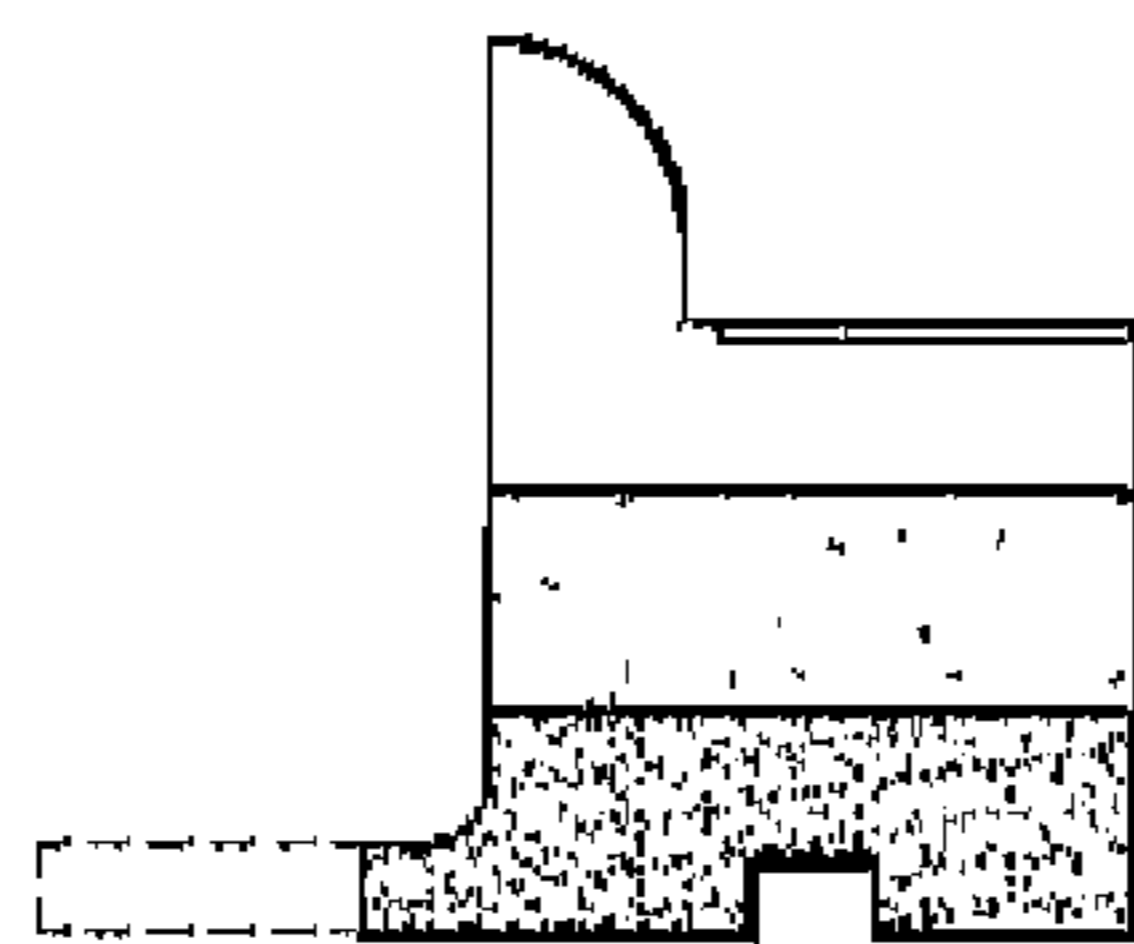


FIG. 5

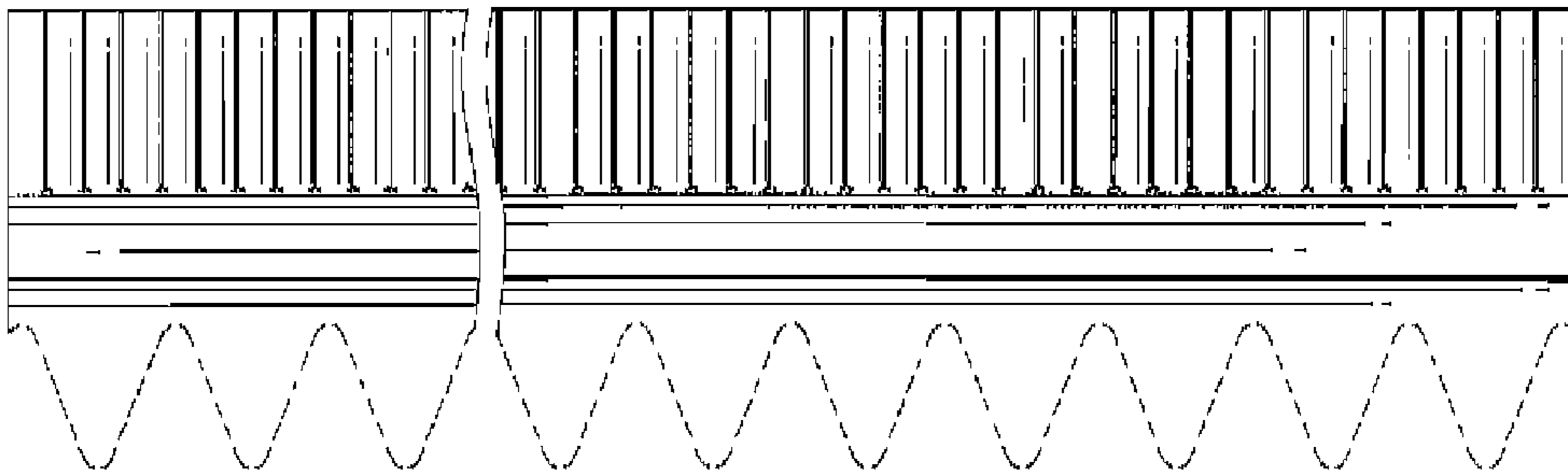


FIG. 6

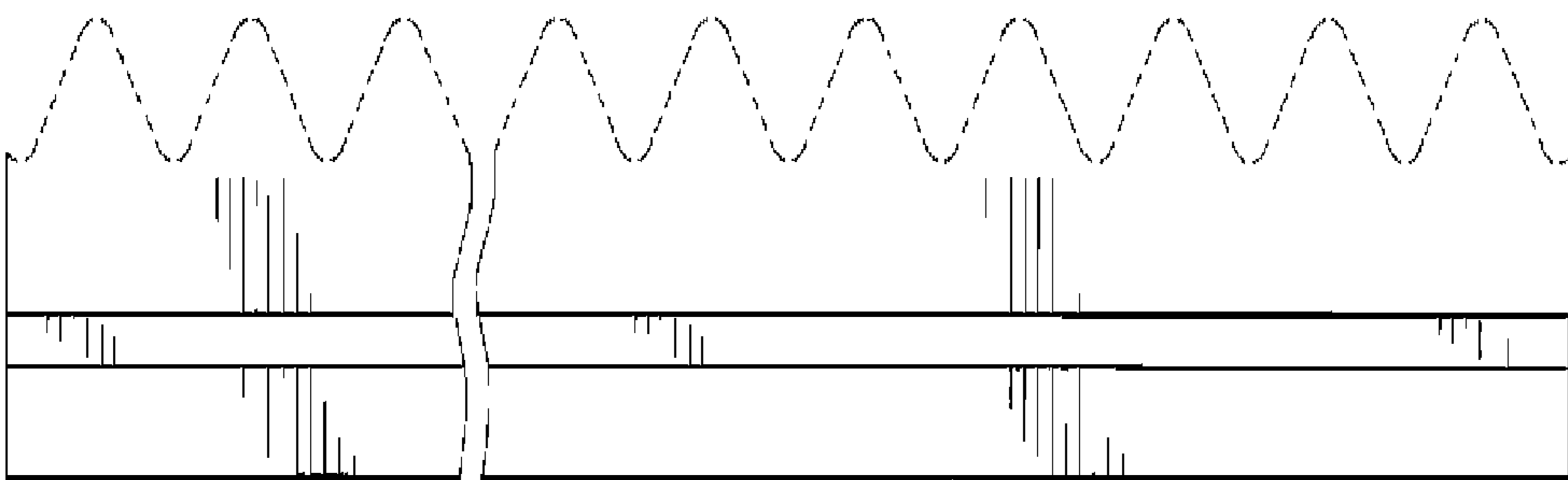


FIG. 7

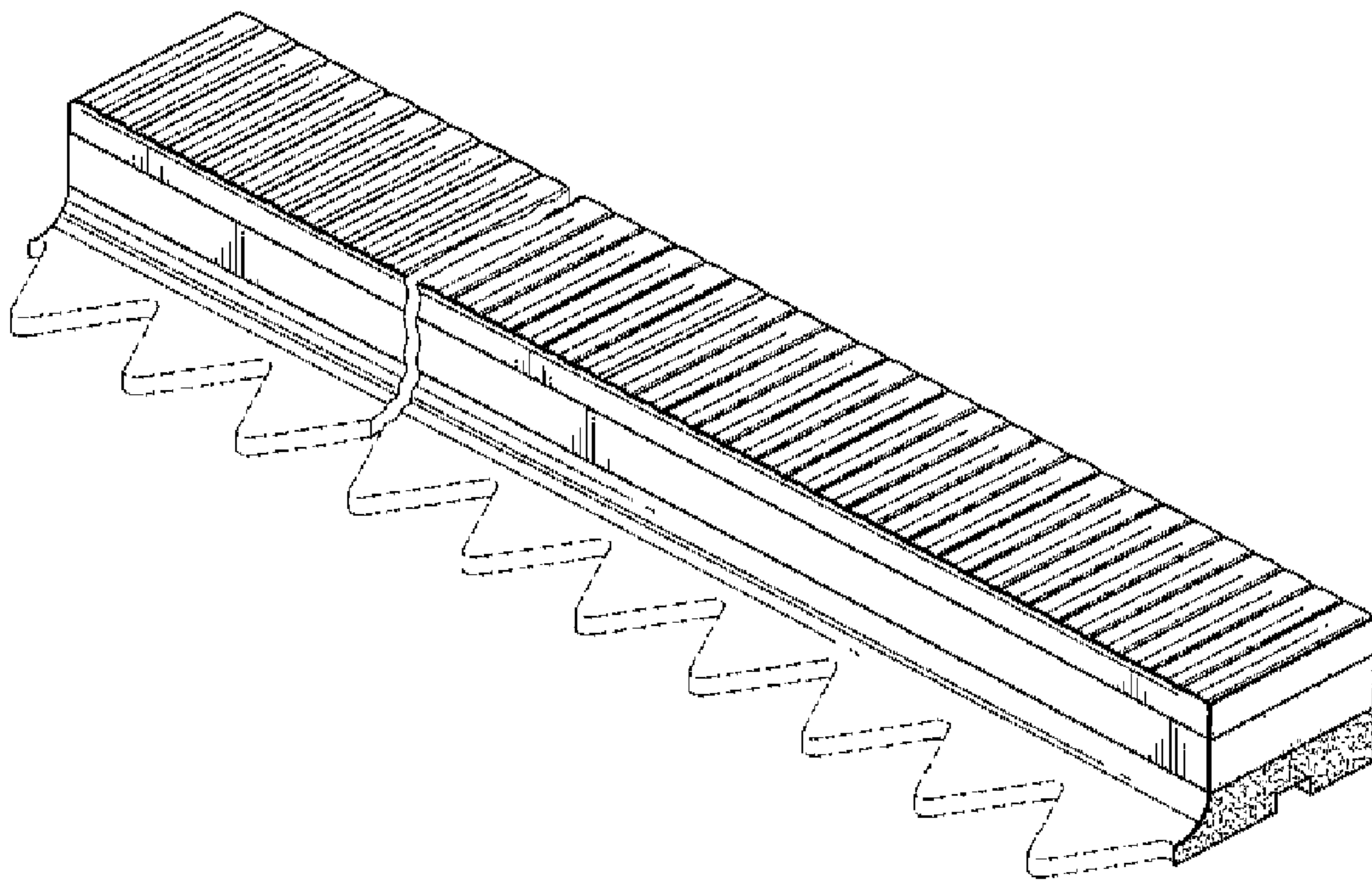


FIG. 8

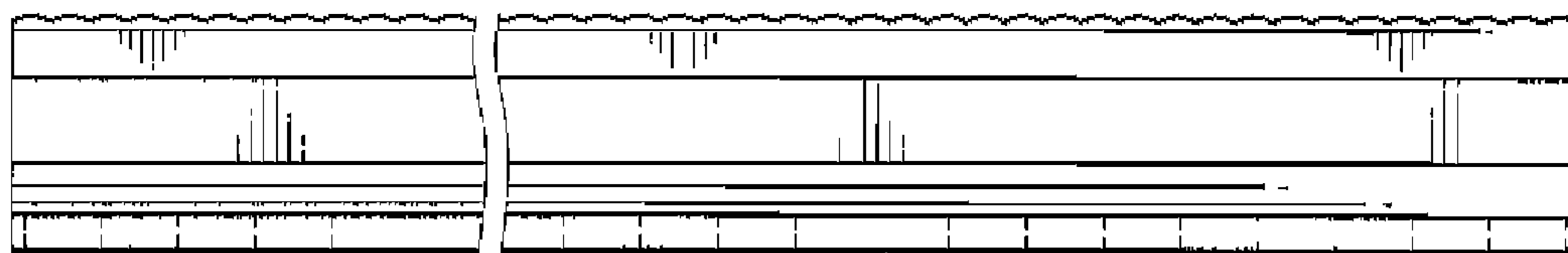


FIG. 9

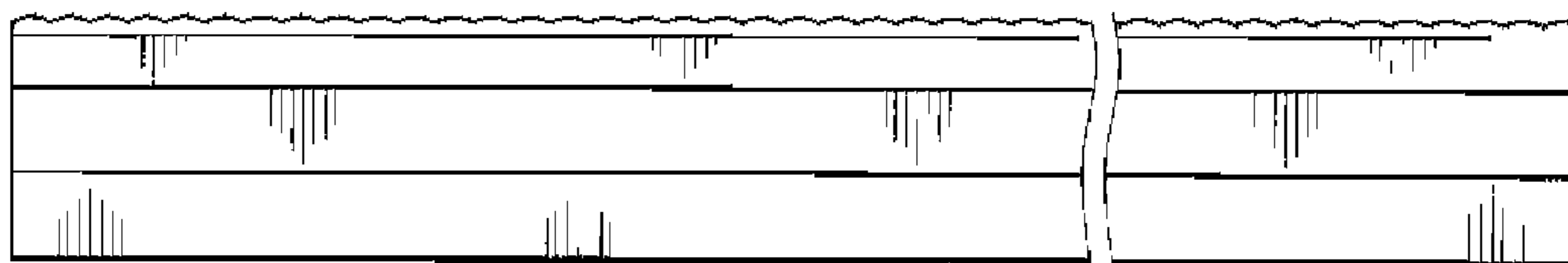


FIG. 10

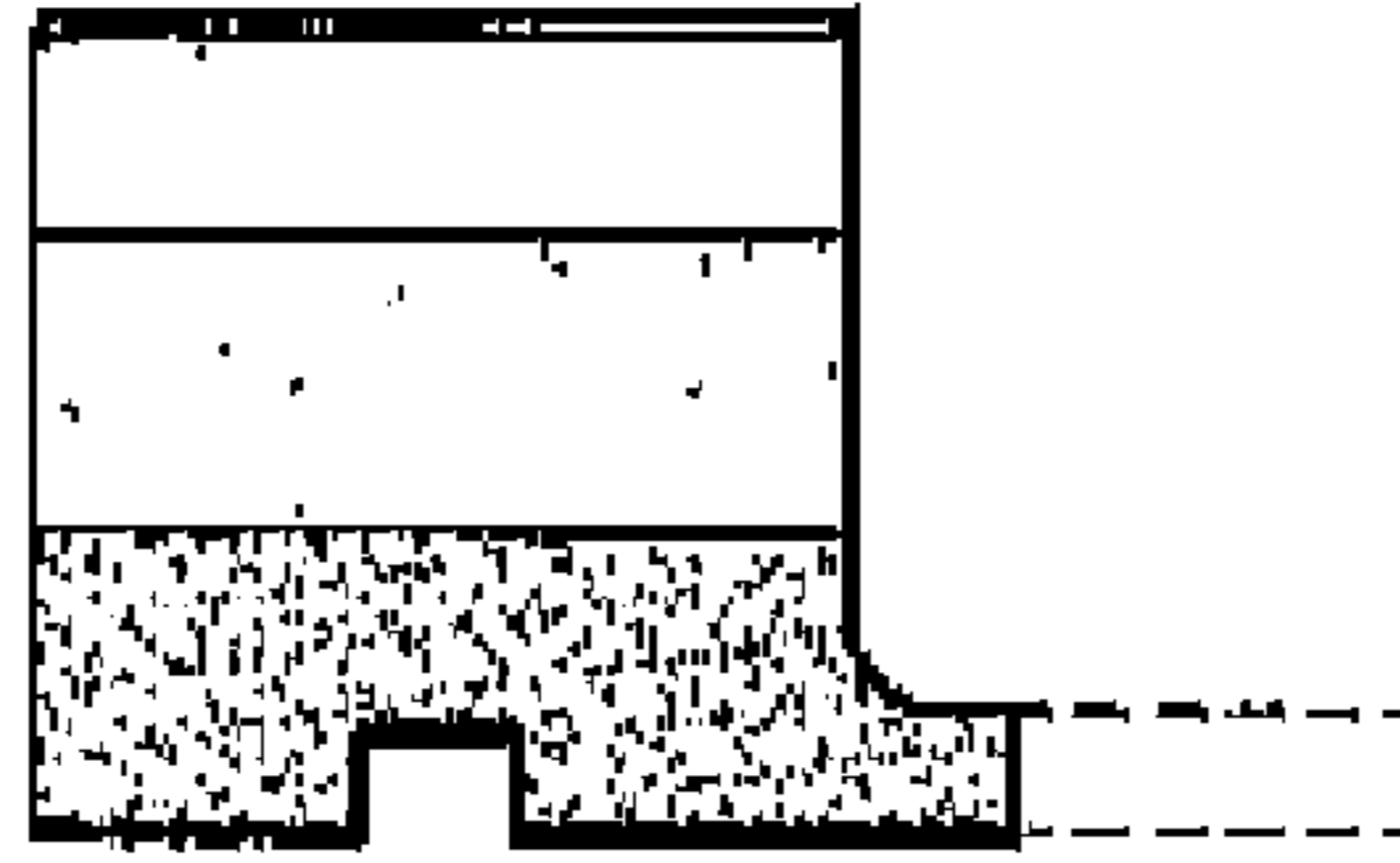


FIG. 11



FIG. 12



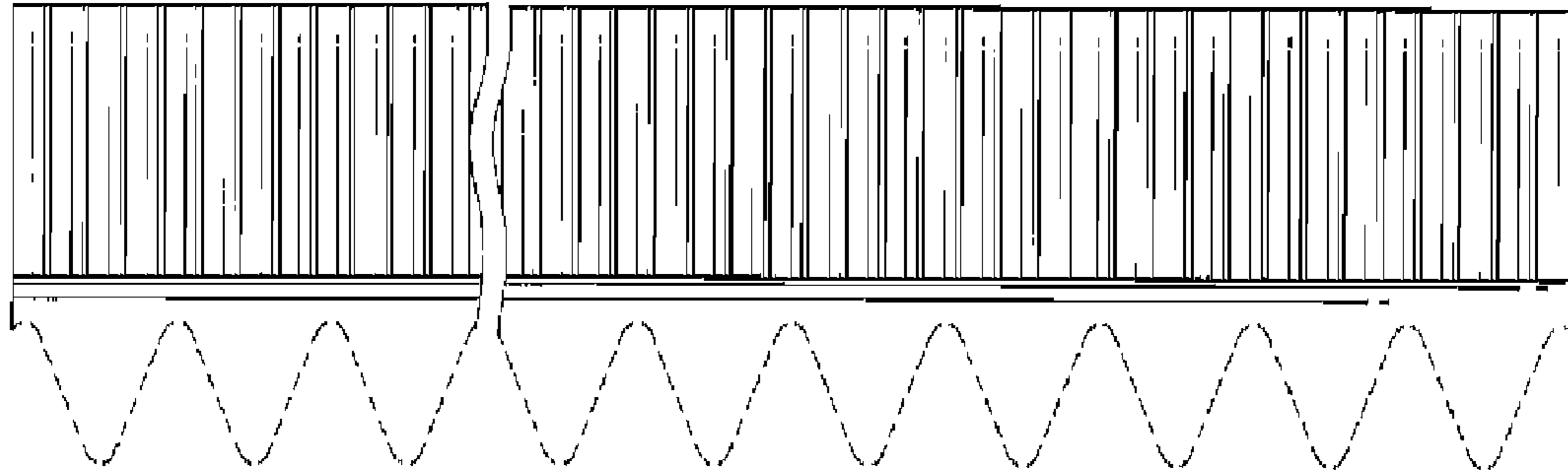


FIG. 13

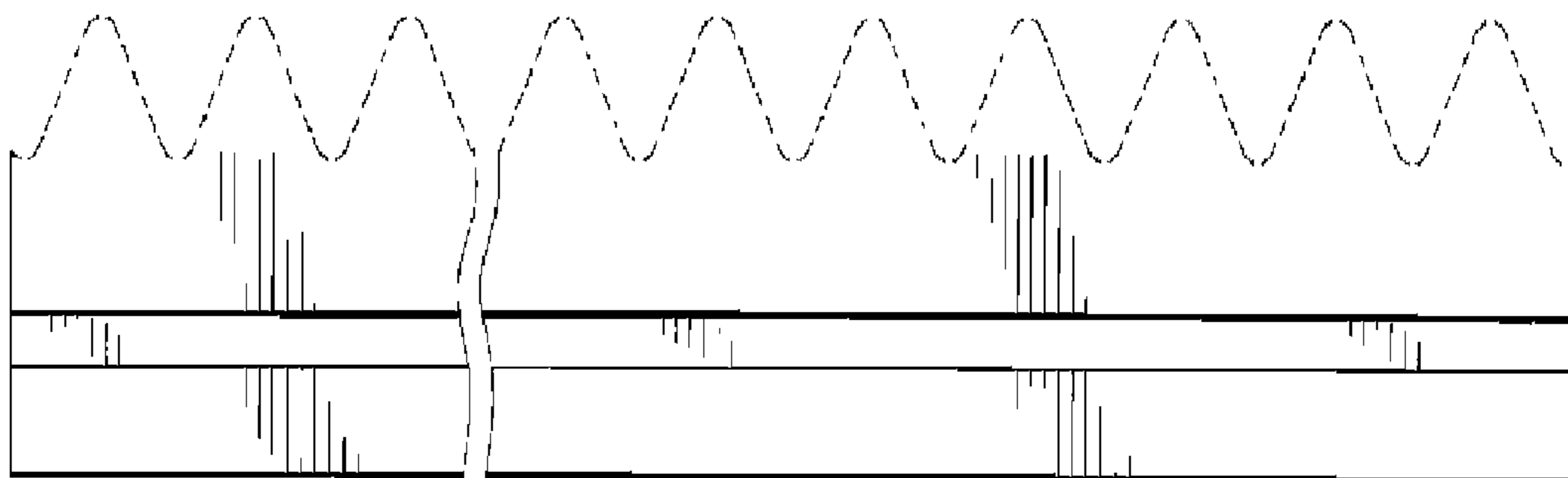


FIG. 14