



US00D659376S

(12) **United States Design Patent**  
**John**

(10) **Patent No.:** **US D659,376 S**  
(45) **Date of Patent:** **\*\* May 15, 2012**

(54) **JEWELRY ATTACHMENT FOR FOOTWEAR**

(76) Inventor: **Colleen S. John**, Colorado Springs, CO (US)

(\*\*) Term: **14 Years**

(21) Appl. No.: **29/381,564**

(22) Filed: **Dec. 21, 2010**

(51) **LOC (9) Cl.** ..... **29-99**

(52) **U.S. Cl.** ..... **D2/976; D2/946**

(58) **Field of Classification Search** ..... D2/946,  
D2/976; 36/1, 58.5, 136-139

See application file for complete search history.

(56) **References Cited**

U.S. PATENT DOCUMENTS

1,640,104	A *	8/1927	Stafford et al.	36/58.5
1,668,480	A *	5/1928	Stafford et al.	36/58.5
D81,405	S *	6/1930	Riker	D2/976
2,461,977	A *	2/1949	Gilmour	36/1
2,616,189	A *	11/1952	Smith	36/1
D204,231	S *	4/1966	Glasgow et al.	D2/976
3,638,336	A	2/1972	Silverman	
4,026,047	A *	5/1977	Ahmer	36/136
D291,145	S *	8/1987	Allen	D2/914
4,724,628	A	2/1988	Schreiner	
5,673,501	A	10/1997	Mathews	
D407,555	S	4/1999	Sorofman	
7,086,123	B2	8/2006	Carter	
2006/0162193	A1	7/2006	Jones et al.	
2006/0196093	A1	9/2006	Krauss	

OTHER PUBLICATIONS

Shoe-Doodles, Charms, and Veggies Foo . . . Timeless Trinkets.com.  
<http://www.timelesstrinkets.com/Shoe-Doodles/index.html>.

\* cited by examiner

*Primary Examiner* — Dominic Simone

(74) *Attorney, Agent, or Firm* — Montgomery Patent & Design, LLC; Robert C. Montgomery; Joseph T. Yaksich

(57) **CLAIM**

The ornamental design for a jewelry attachment for footwear, as shown and described.

**DESCRIPTION**

FIG. 1 is an environmental side perspective view of a jewelry attachment for footwear depicted in use, showing my new design;

FIG. 2 is an environmental front perspective view of thereof; FIG. 3 is perspective view of the jewelry attachment for footwear;

FIG. 4 is a front view thereof with a rear view being a mirror image;

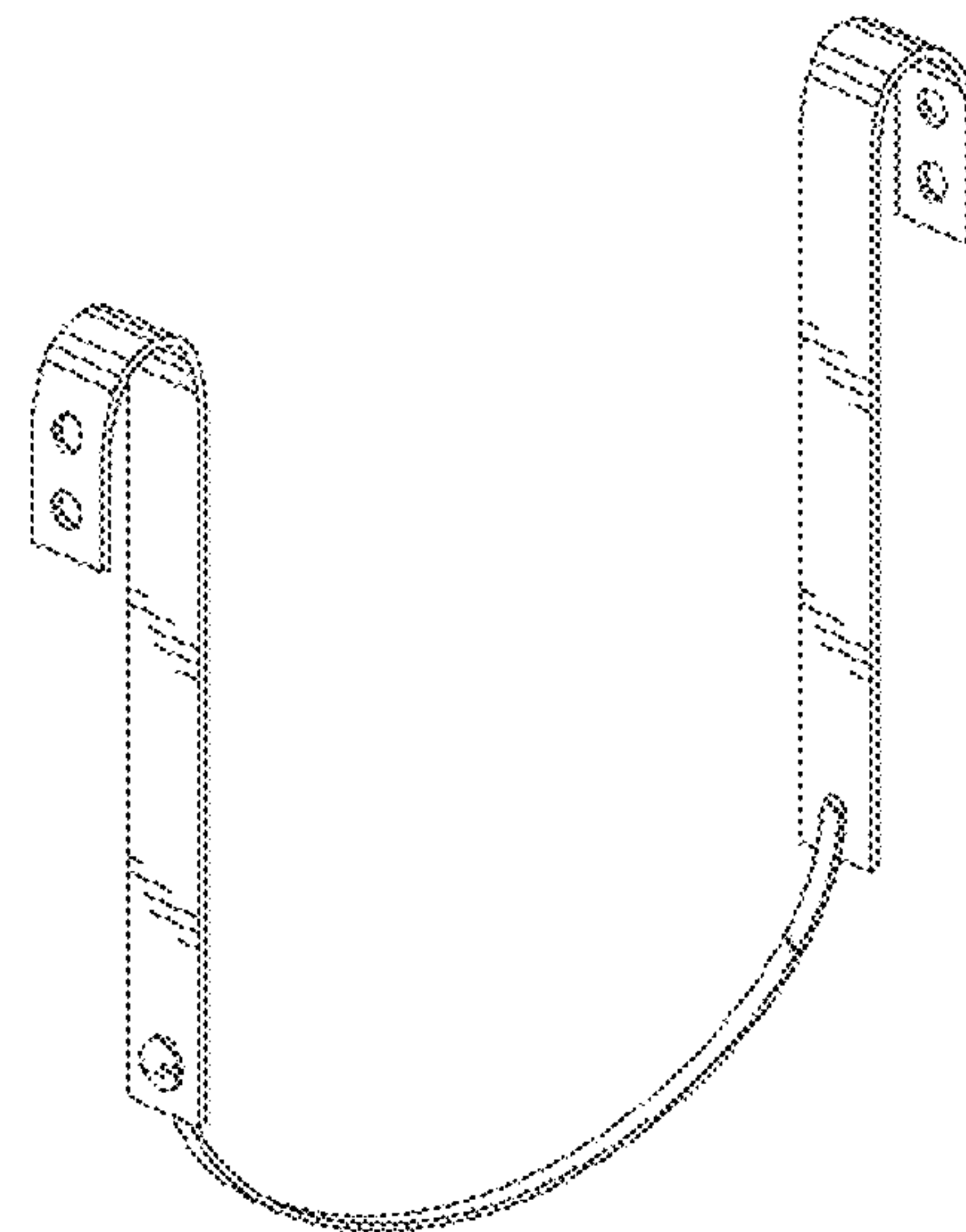
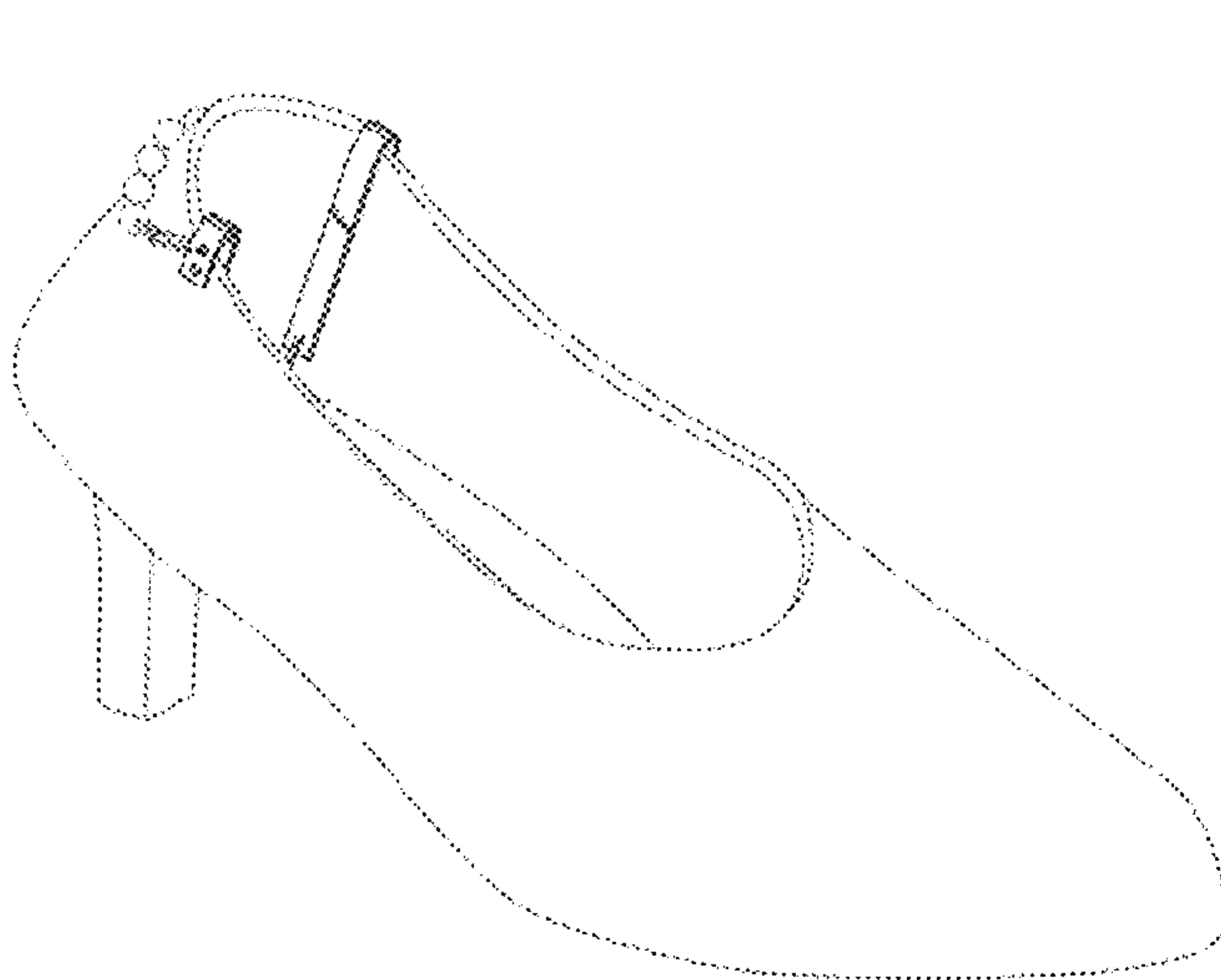
FIG. 5 is left side view thereof with a right side view being a mirror image;

FIG. 6 is a top view thereof; and,

FIG. 7 is a bottom view thereof.

The broken line showing of a shoe and an attached piece of jewelry shown in FIGS. 1 and 2 is for the purpose of illustrating environment and forms no part of the claimed design.

**1 Claim, 7 Drawing Sheets**



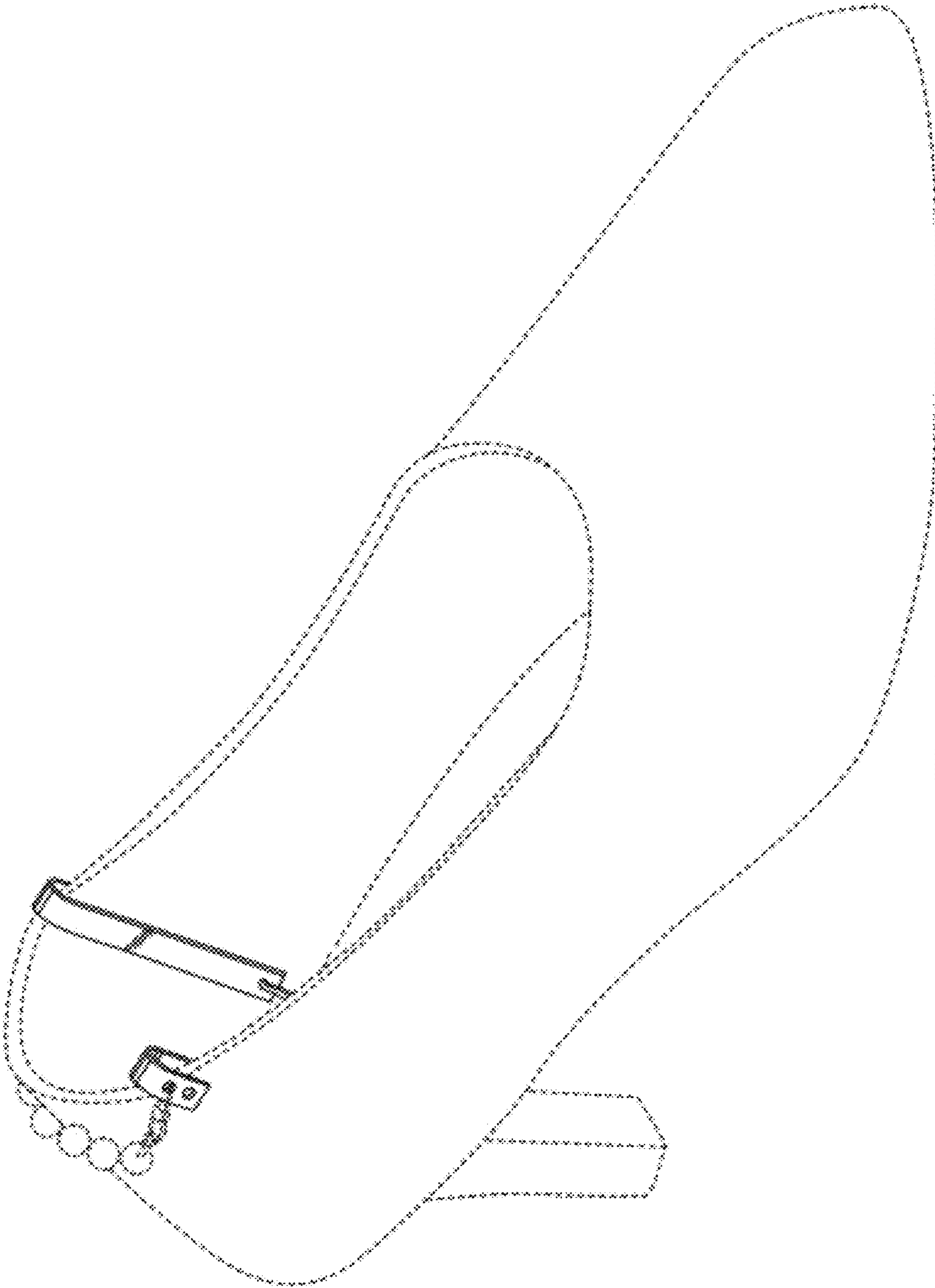


Fig. 1

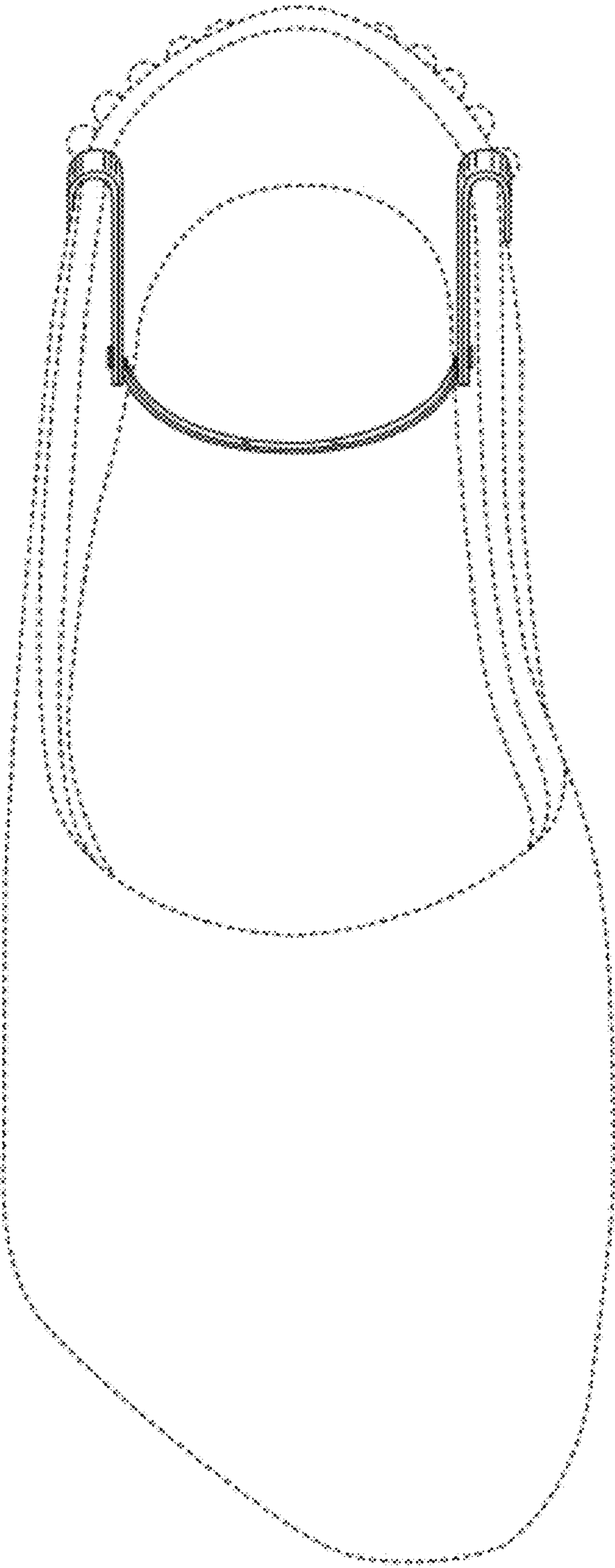


Fig. 2

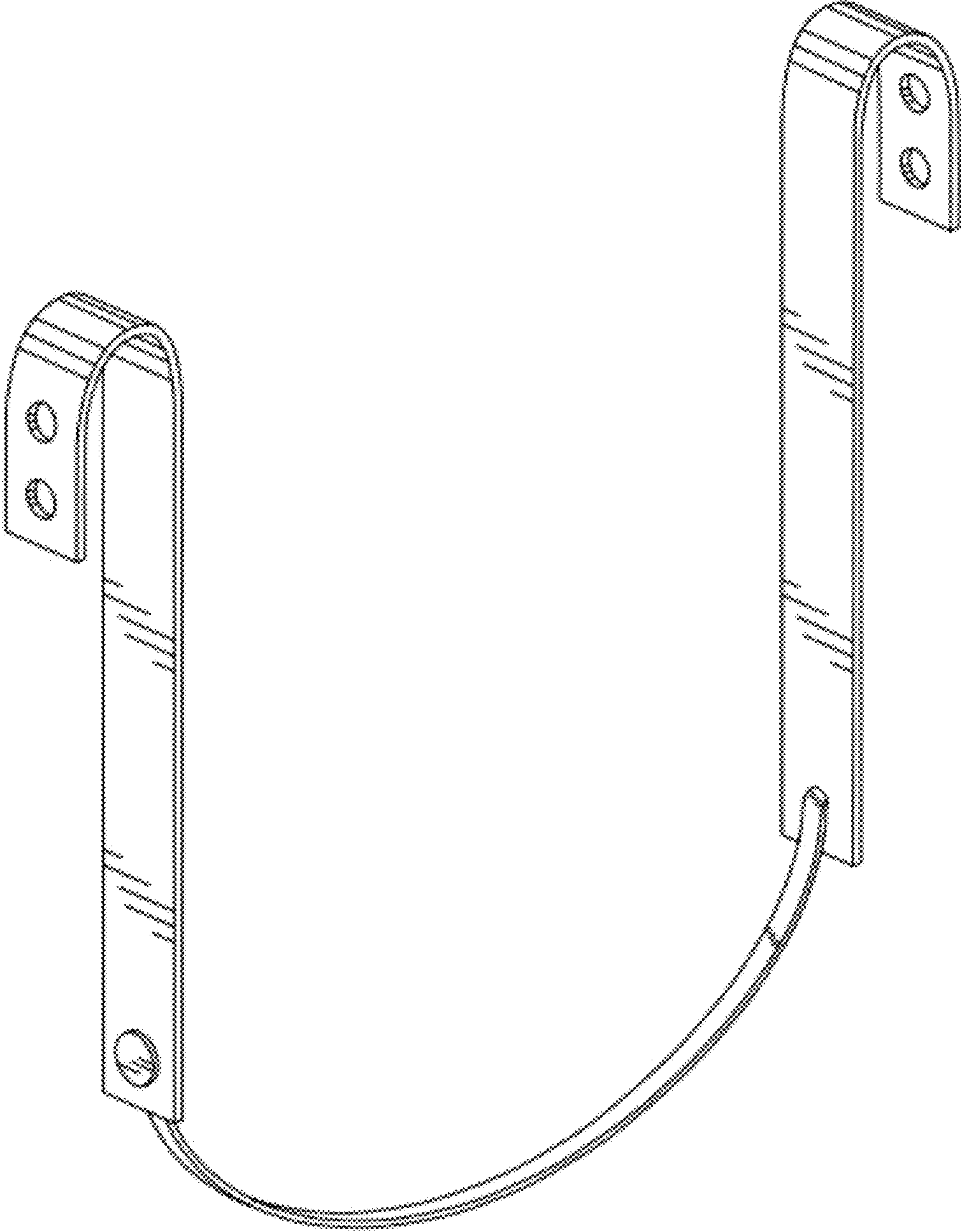


Fig. 3

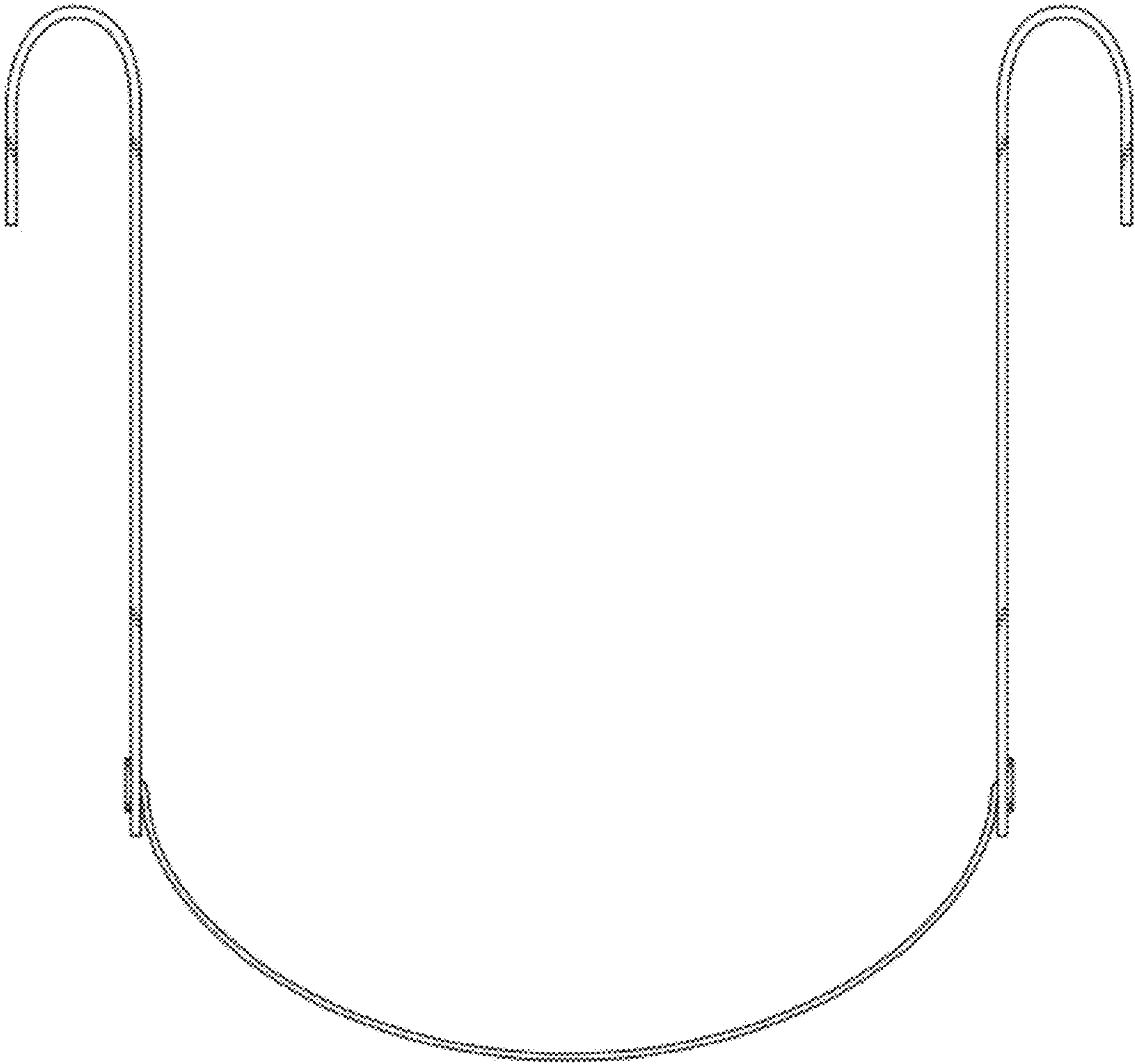


Fig. 4



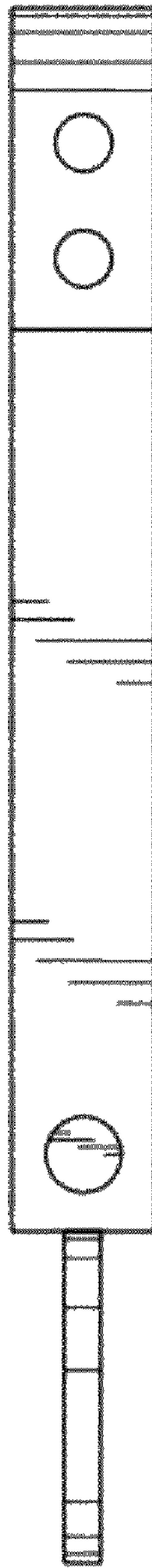


Fig. 5

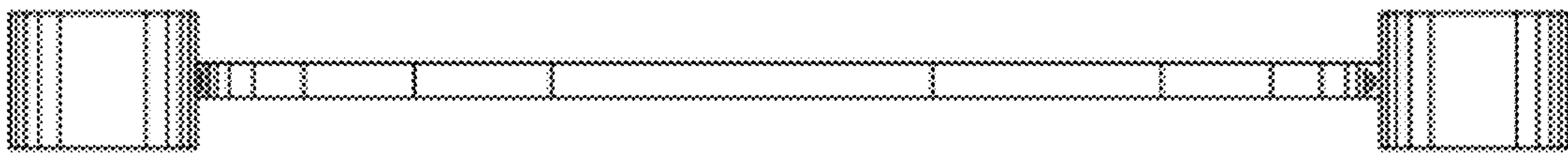


Fig. 6

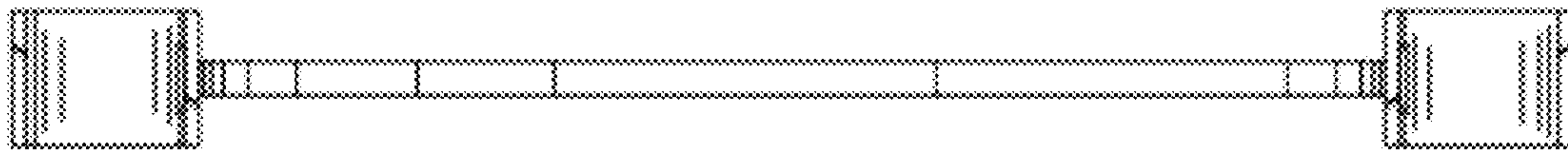


Fig. 7