



US00D659369S

(12) **United States Design Patent**
Blakeslee

(10) **Patent No.:** **US D659,369 S**

(45) **Date of Patent:** **** May 15, 2012**

(54) **FOOTWEAR**

(75) **Inventor:** **Carl Blakeslee**, Portland, OR (US)

(73) **Assignee:** **Sorel Corporation**, Portland, OR (US)

(**) **Term:** **14 Years**

(21) **Appl. No.:** **29/377,495**

(22) **Filed:** **Oct. 21, 2010**

(51) **LOC (9) Cl.** **02-99**

(52) **U.S. Cl.** **D2/969**

(58) **Field of Classification Search** D2/896,
D2/902, 906-908, 943, 944, 946, 969, 972-974;
36/45-49, 50.1, 77 M, 77 R, 83, 88, 113,
36/114, 126-131

See application file for complete search history.

(56) **References Cited**

U.S. PATENT DOCUMENTS

D84,519 S * 6/1931 Ebling D2/973
D158,953 S * 6/1950 Gillis D2/943
D365,673 S * 1/1996 Bradway D2/908

D473,700 S * 4/2003 Adreliunas et al. D2/969
* cited by examiner

Primary Examiner — Dominic Simone

(74) *Attorney, Agent, or Firm* — Schwabe, Williamson & Wyatt, P.C.

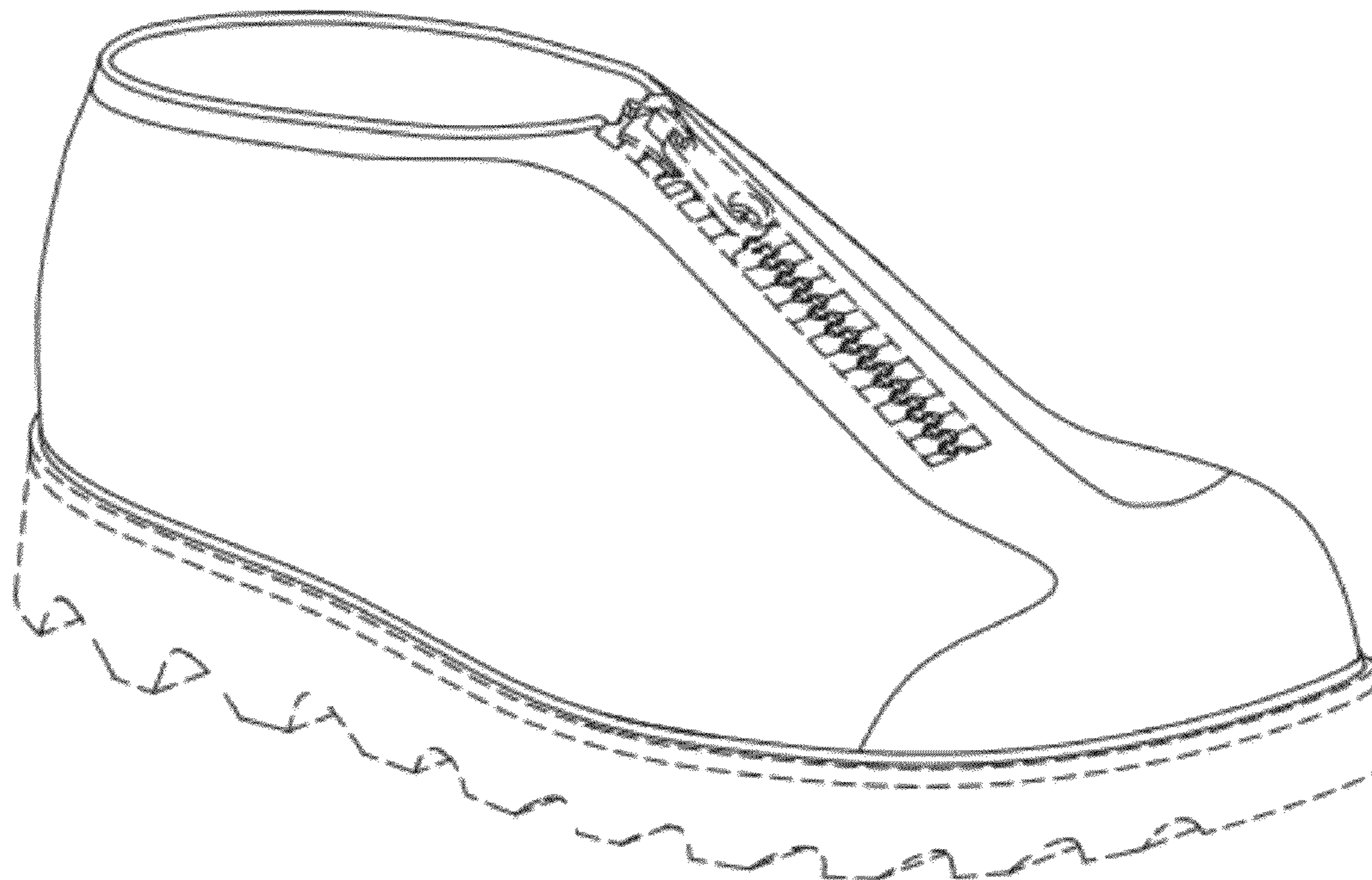
(57) **CLAIM**

I claim an ornamental design for footwear, as shown and described.

DESCRIPTION

FIG. 1 is a perspective view of footwear shown in solid lines, wherein dashed lines denote unclaimed environment; FIG. 2 is a top view of the footwear illustrated in FIG. 1; FIG. 3 is a right side view of the footwear illustrated in FIG. 1; FIG. 4 is a front view of the footwear illustrated in FIG. 1; FIG. 5 is a left side view of the footwear illustrated in FIG. 1; FIG. 6 is a bottom view of the footwear illustrated in FIG. 1; and, FIG. 7 is a back view of the footwear illustrated in FIG. 1.

1 Claim, 4 Drawing Sheets



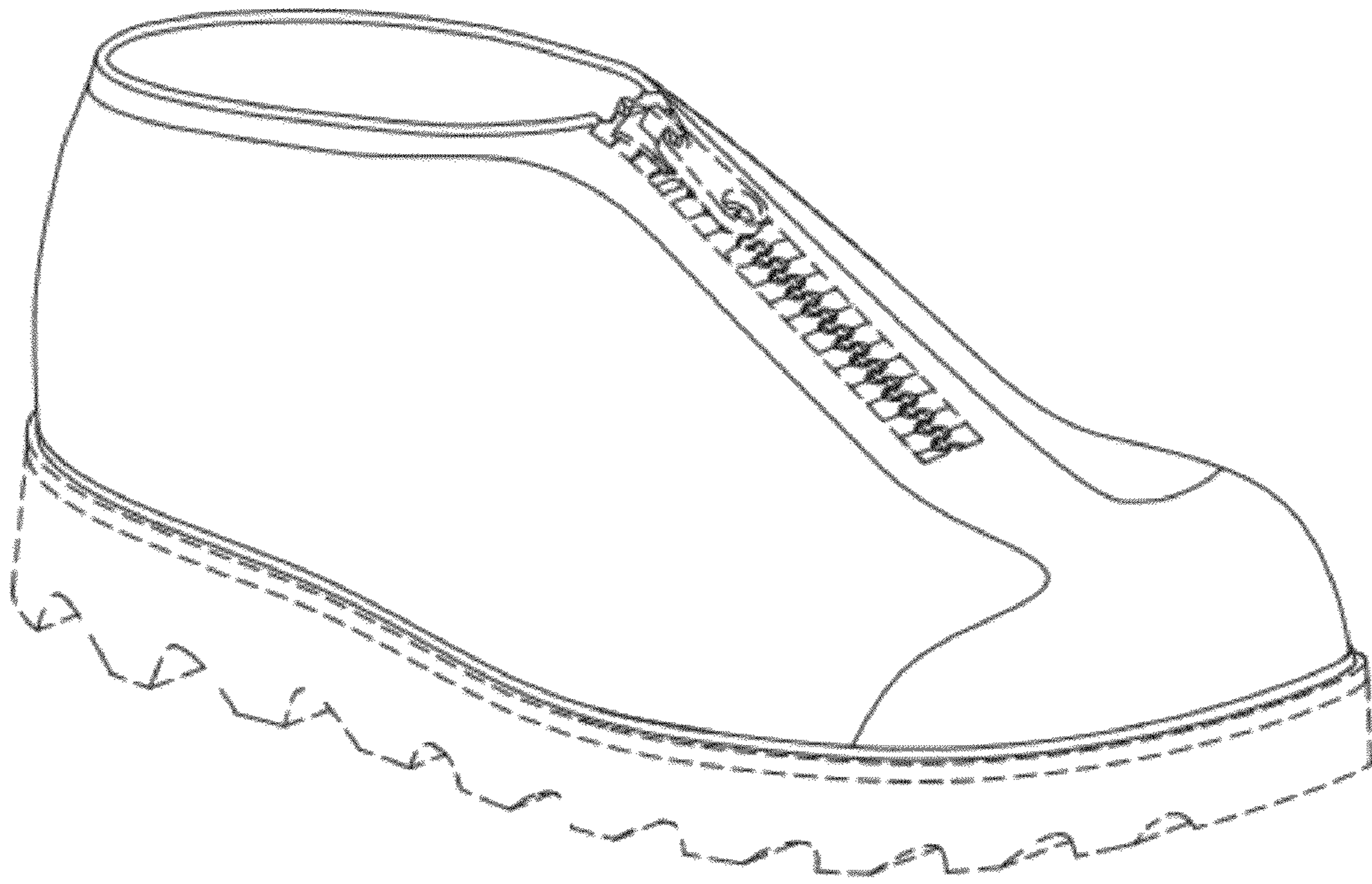


FIG. 1

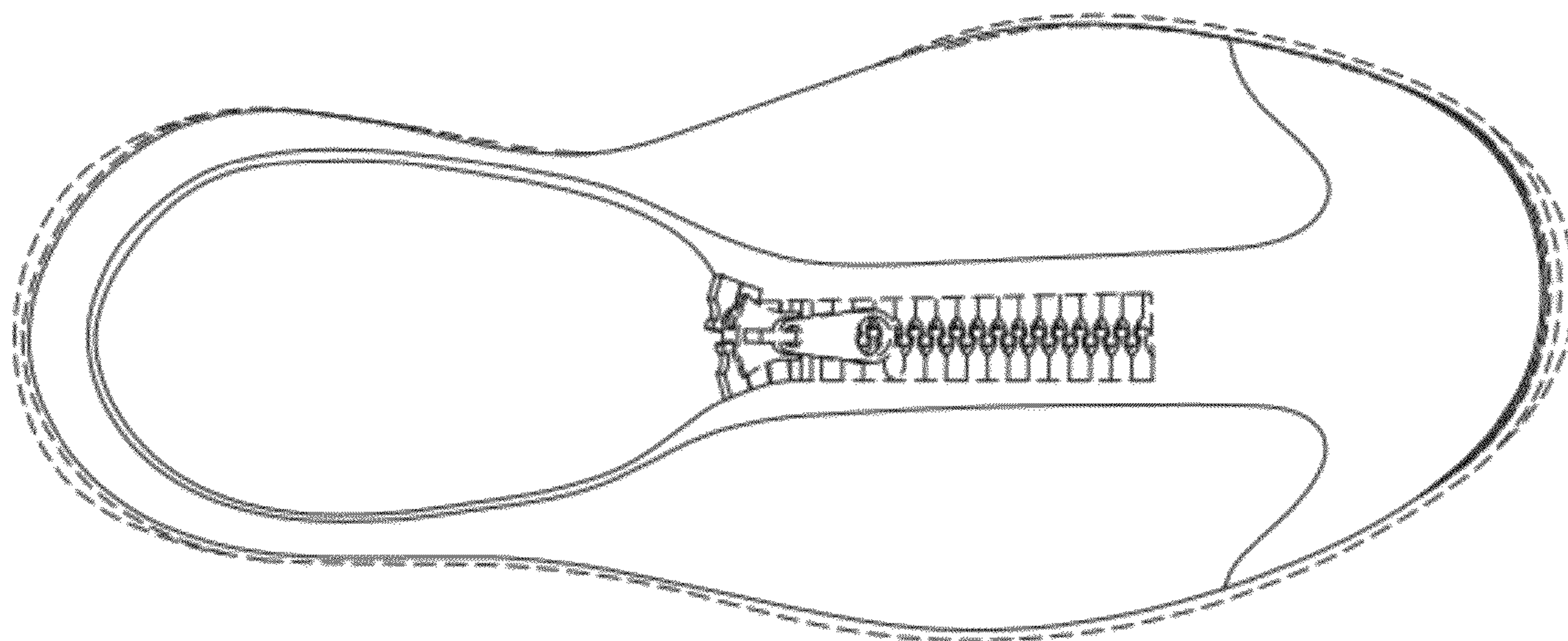


FIG. 2

FIG. 3

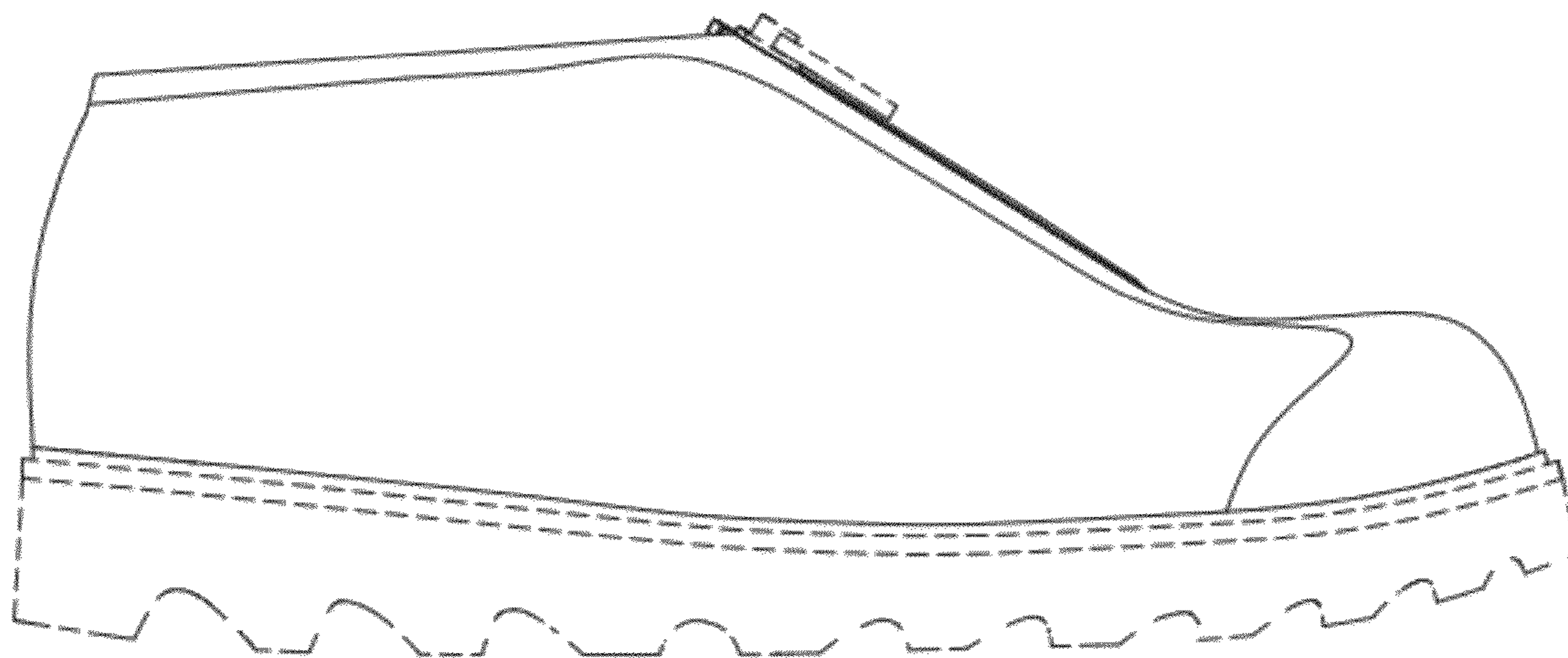


FIG. 4

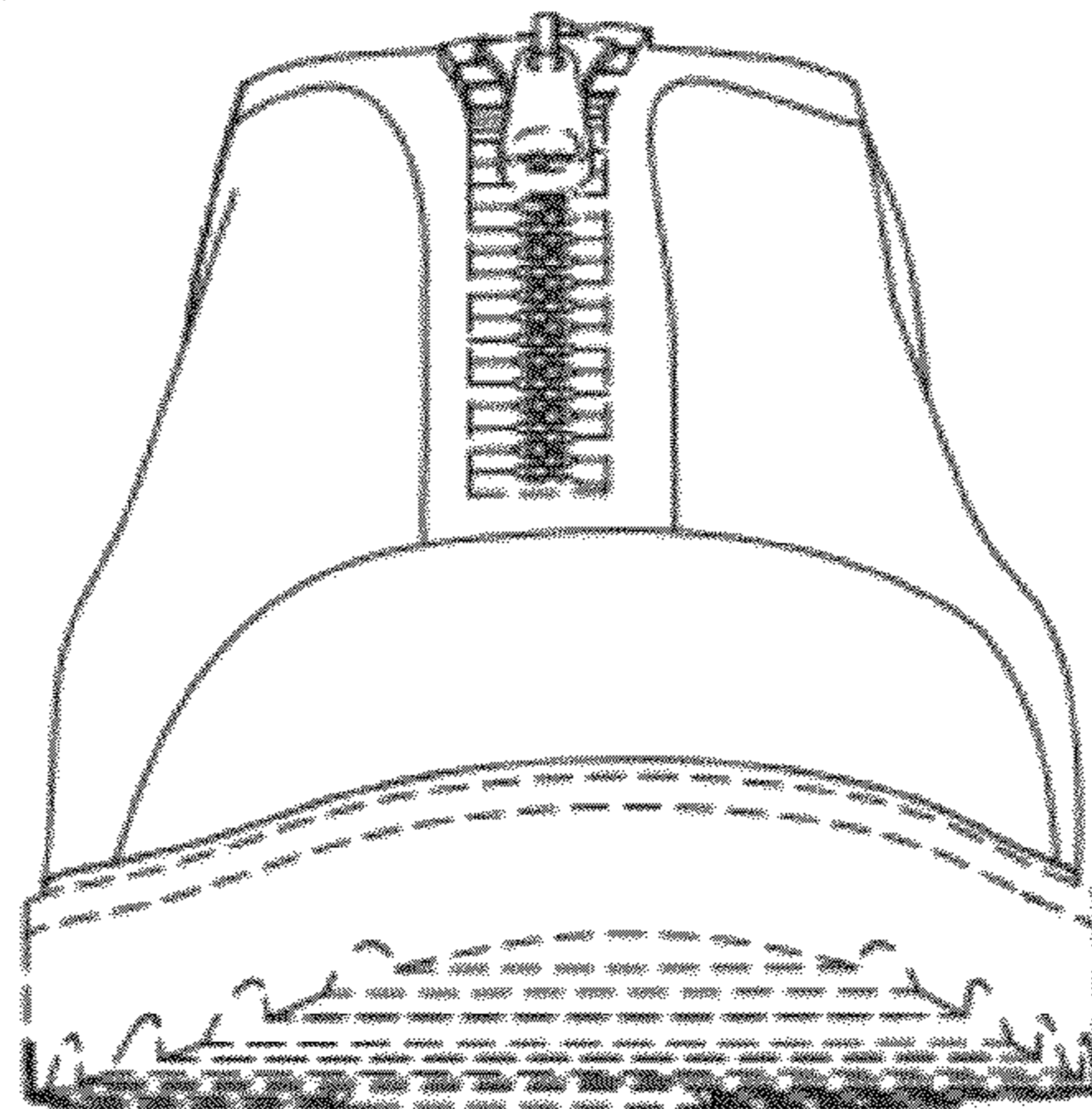
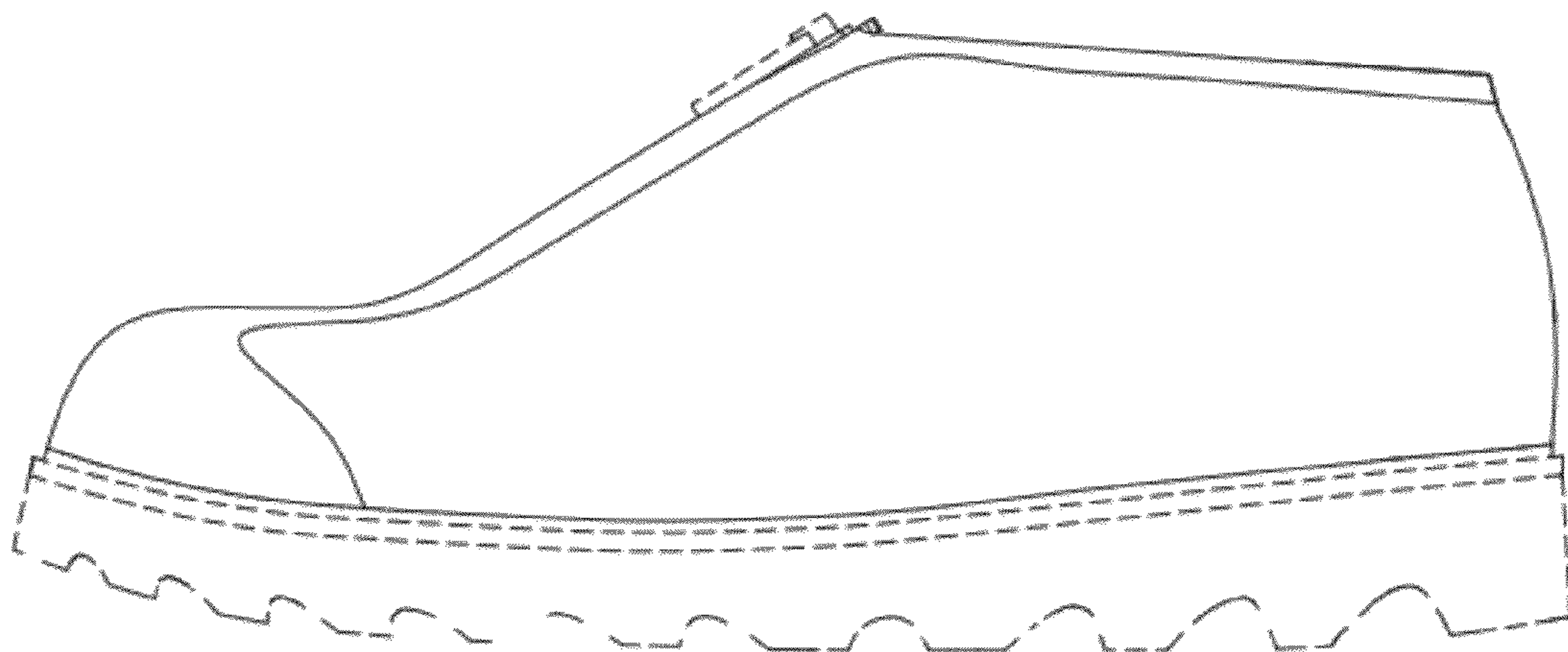


FIG. 5



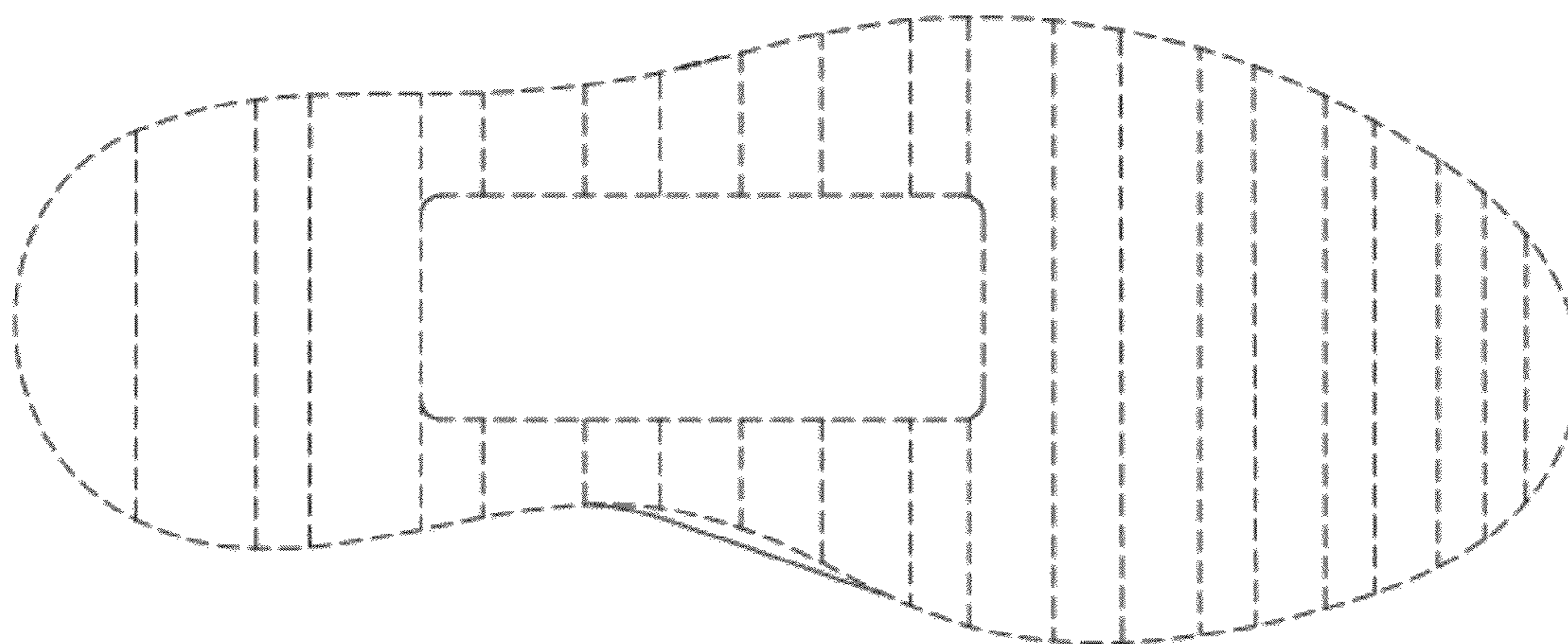


FIG. 6

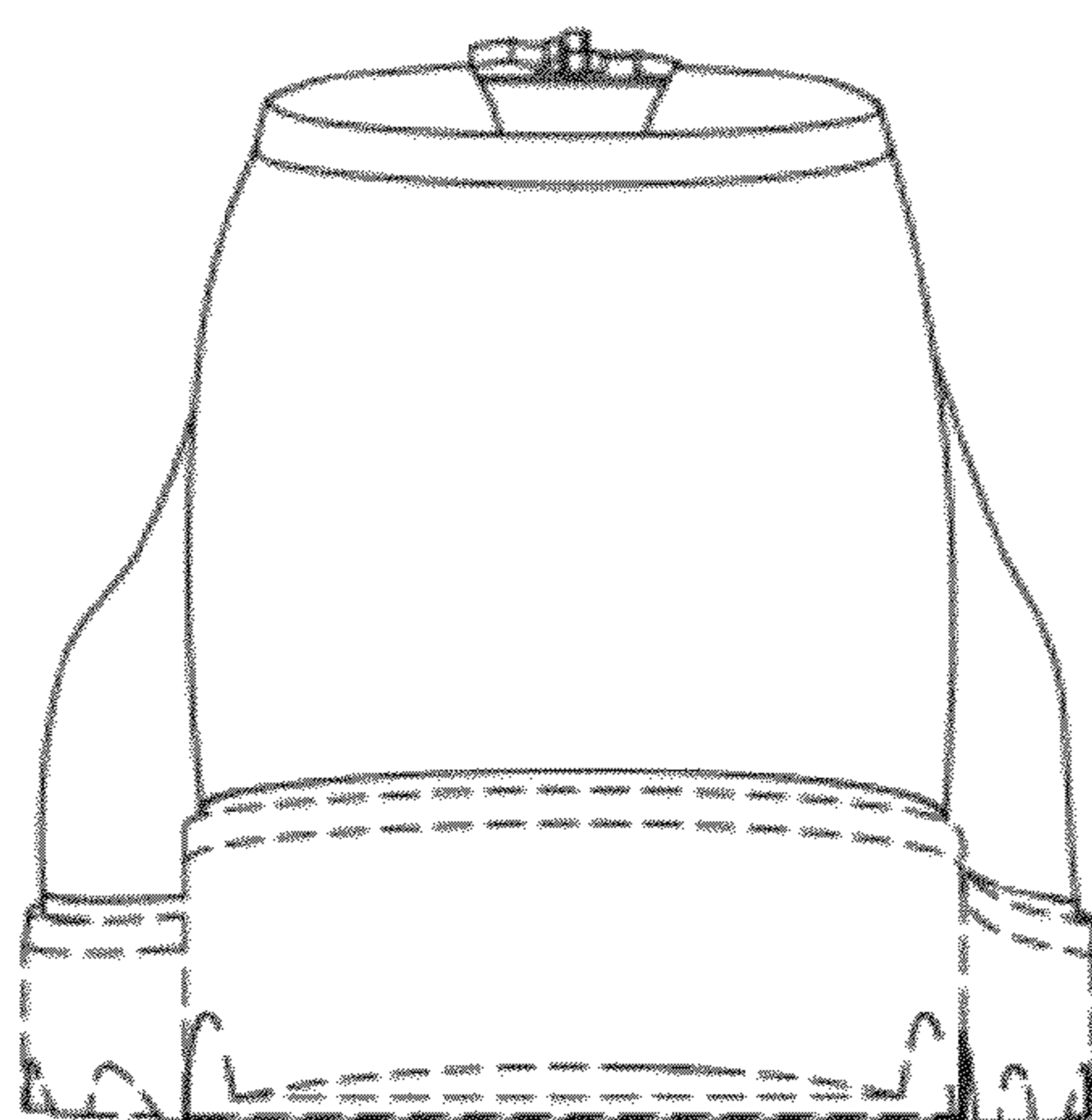


FIG. 7