



US00D659351S

(12) **United States Design Patent**  
**Benkendorfer**

(10) **Patent No.:** **US D659,351 S**

(45) **Date of Patent:** **\*\* May 15, 2012**

(54) **HEADWEAR CAP**

(76) Inventor: **Gregg Benkendorfer**, Redondo Beach,  
CA (US)

(\*\*) Term: **14 Years**

(21) Appl. No.: **29/357,478**

(22) Filed: **Mar. 12, 2010**

(51) **LOC (9) Cl.** ..... **02-03**

(52) **U.S. Cl.** ..... **D2/865**

(58) **Field of Classification Search** ..... D2/865,  
D2/866, 867, 875, 876, 877, 878, 879, 880,  
D2/881, 882, 894, 886, 889, 891, 892, 893,  
D2/895; 2/68, 171, 175.1, 175.2, 181.4,  
2/183, 195.1, 195.2, 195.3, 195.4, 195.5,  
2/195.6, 195.7, 195.8, 209.11, 209.12, 209.13,  
2/209.3, 209.7

See application file for complete search history.

(56) **References Cited**

**U.S. PATENT DOCUMENTS**

166,900	A *	8/1875	Schwarz	.....	2/172
D47,165	S *	3/1915	Miller	.....	D2/867
1,181,291	A *	5/1916	Clarke	.....	351/47
D58,302	S *	7/1921	Bartholomew	.....	D2/865
D58,303	S *	7/1921	Bartholomew	.....	D2/865
1,836,141	A *	12/1931	Wagenfeld	.....	2/209.4
1,883,756	A *	10/1932	Bloom	.....	2/172
D92,932	S *	7/1934	Schaffer	.....	D2/865
D109,526	S *	5/1938	Finkelstein	.....	D2/865
2,416,062	A *	2/1947	Mercer	.....	2/175.5
2,621,334	A *	12/1952	O'Hare	.....	2/209.11
D187,519	S *	3/1960	Lasting	.....	D2/865
D367,155	S *	2/1996	Lewis	.....	D2/865
D374,548	S *	10/1996	Hartland	.....	D2/884
5,915,534	A *	6/1999	May	.....	2/181.4
D420,207	S *	2/2000	Barton et al.	.....	D2/889

D423,196	S *	4/2000	White	.....	D2/882
D425,688	S *	5/2000	Richlin	.....	D2/865
D427,751	S *	7/2000	Richlin	.....	D2/866
D473,039	S *	4/2003	Erspamer	.....	D2/889
D473,695	S *	4/2003	Butcher	.....	D2/865
6,694,525	B1 *	2/2004	Murnan	.....	2/183
D500,580	S *	1/2005	Rothschild	.....	D2/866
7,055,179	B2 *	6/2006	Warner et al.	.....	2/207
D564,183	S *	3/2008	Roach et al.	.....	D2/865
D565,281	S *	4/2008	Dhillon	.....	D2/865

(Continued)

**OTHER PUBLICATIONS**

White-striped Beanie, [on-line]; [downloaded to Internet Dec. 23, 2006]; [retrieved from the Internet Dec. 7, 2011]; URL: <http://web.archive.org/web/20061223140121/http://www.joyoftech.com/geekculturestore/webstore/caps.html>. (7 pages, see p. 5).\*

*Primary Examiner* — Karen E Eldridge Powers

(74) *Attorney, Agent, or Firm* — James A. Italia; Italia IP

(57) **CLAIM**

The ornamental design for a headwear cap, as shown and described.

**DESCRIPTION**

FIG. 1 is a perspective view of a headwear cap, showing my new design;

FIG. 2 is a front elevational view of the design;

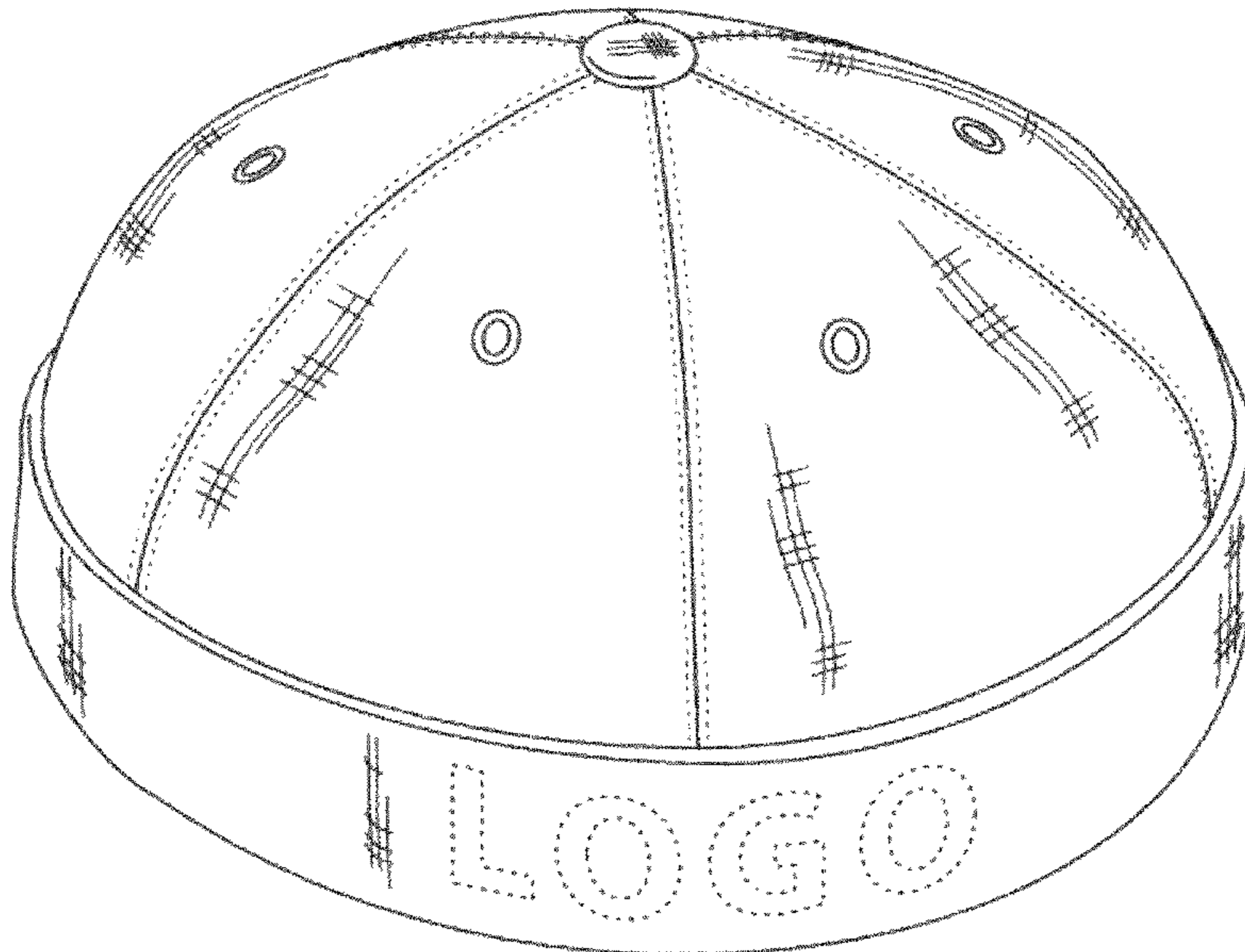
FIG. 3 is a rear elevational view of the design;

FIG. 4 is a left-side elevational view of the design; and,

FIG. 5 is a right-side elevational view of the design.

The broken lines that run along the gore seams and around the arch of the rear size adjustment opening are stitching and form a part of the claimed design. The indicia and the strap shown in broken lines are unclaimed features.

**1 Claim, 3 Drawing Sheets**



# US D659,351 S

Page 2

---

## U.S. PATENT DOCUMENTS

D613,930 S *	4/2010	Poag .....	D2/876	2004/0010839 A1*	1/2004	Cheatum .....	2/171
7,802,317 B2 *	9/2010	Segol .....	2/171	2009/0255035 A1*	10/2009	Little et al. ....	2/183
D639,532 S *	6/2011	Malarky, II .....	D2/878	2010/0024091 A1*	2/2010	Mehtab et al. ....	2/69
2002/0095715 A1*	7/2002	Hong .....	2/209.11				

\* cited by examiner

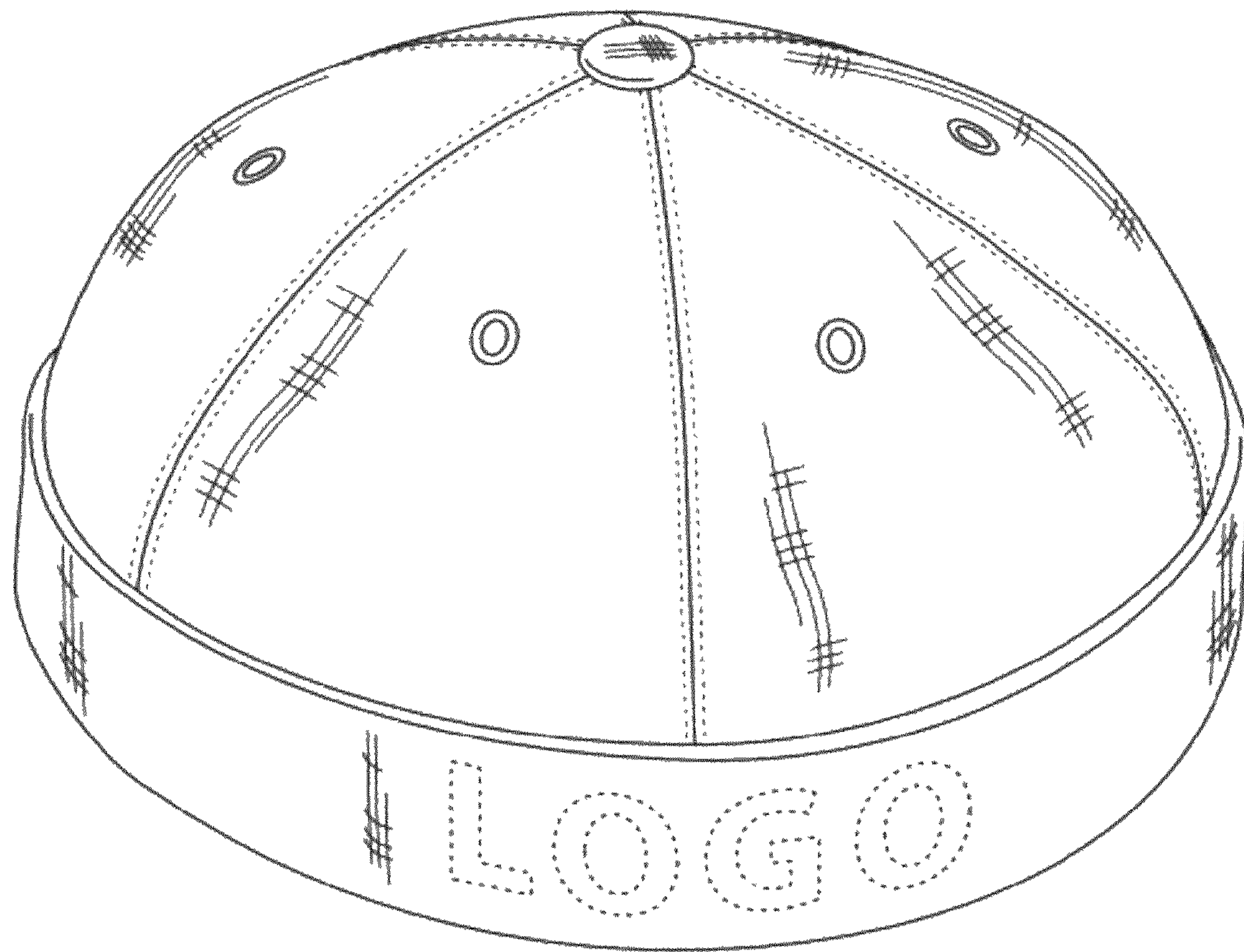


FIG. 1



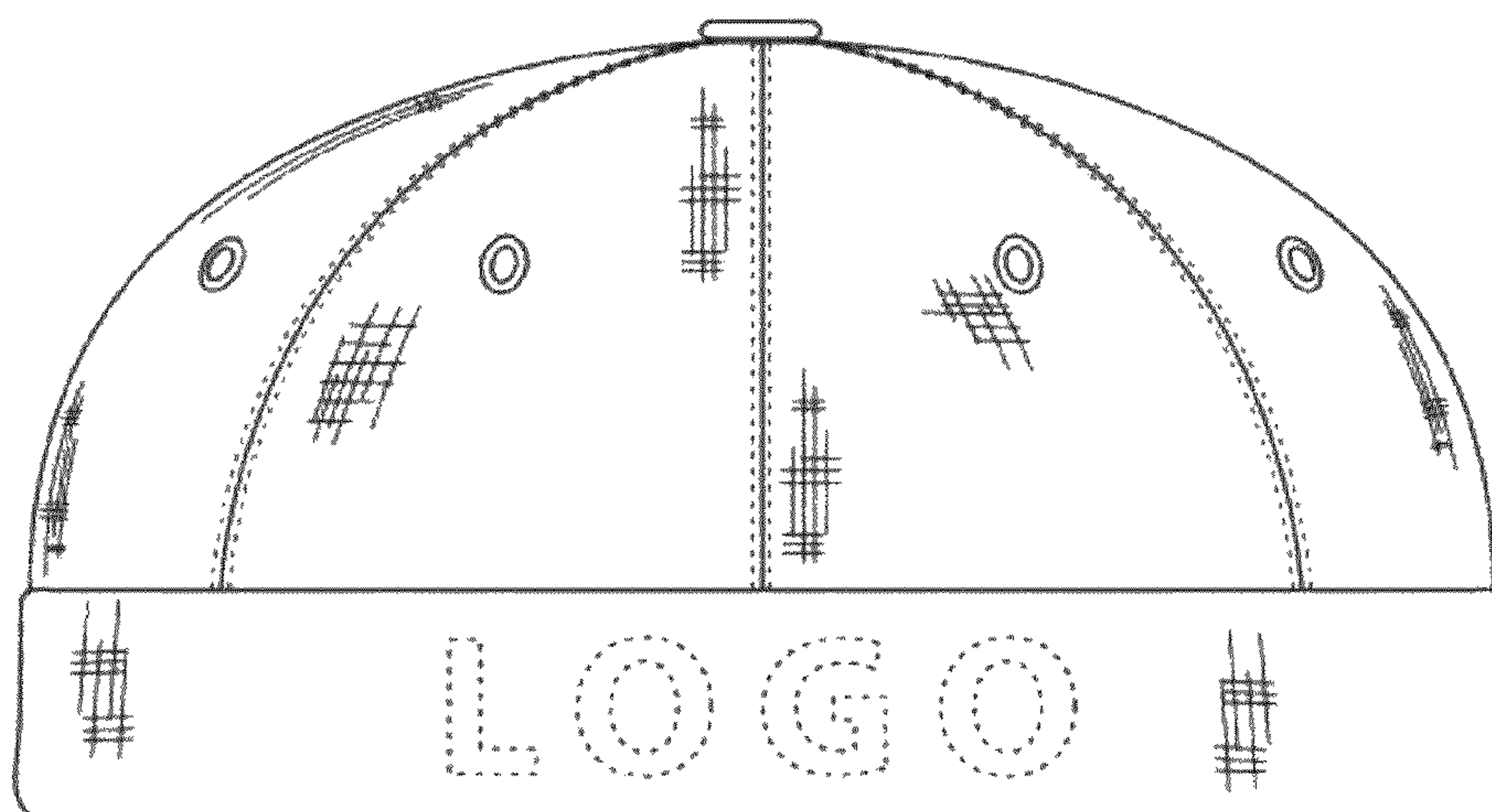


FIG. 2

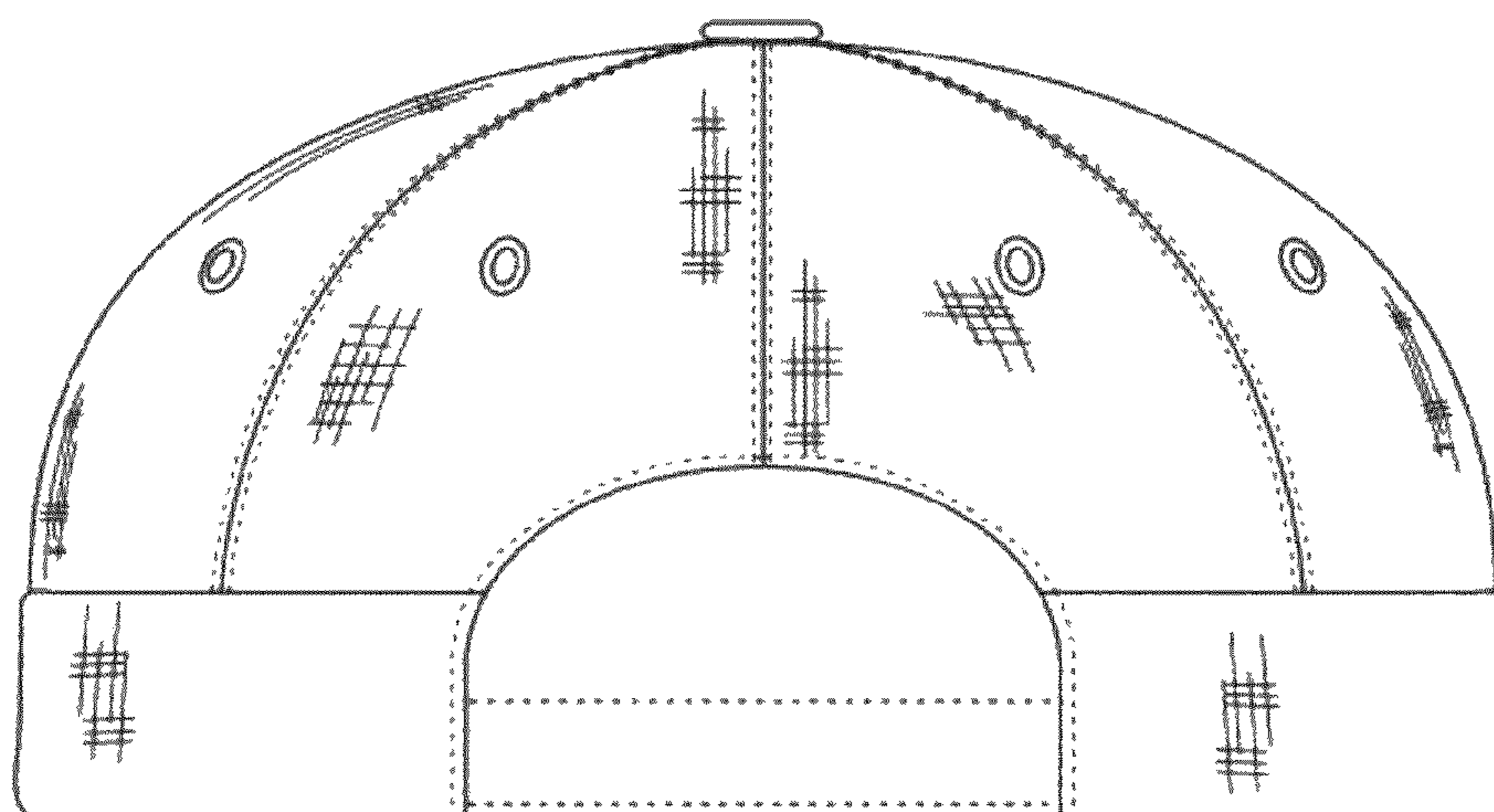


FIG. 3

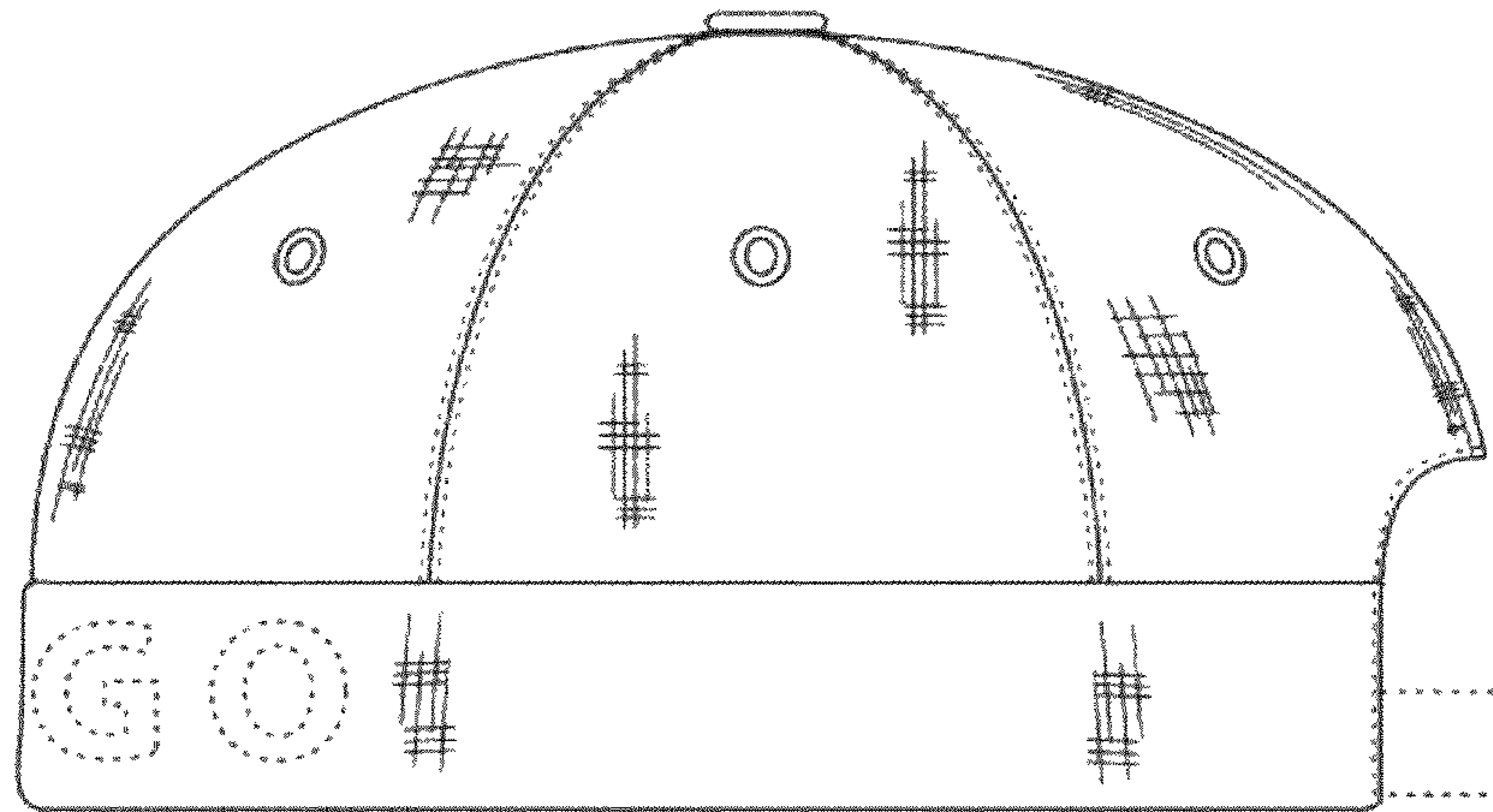


FIG. 4

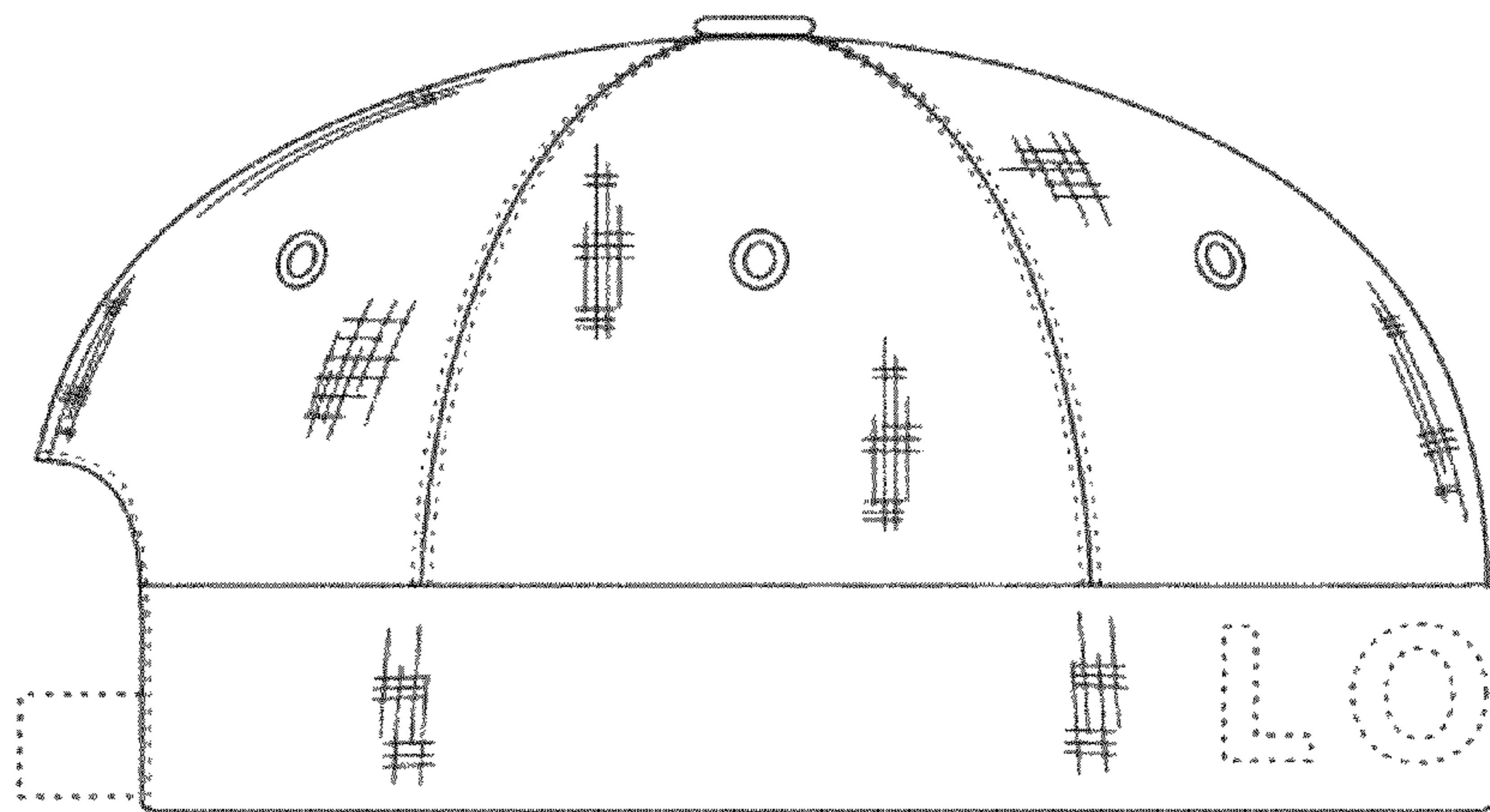


FIG. 5