



US00D659346S

(12) **United States Design Patent**
Augis

(10) **Patent No.:** **US D659,346 S**

(45) **Date of Patent:** **** May 15, 2012**

(54) **PASTRY**

(56) **References Cited**

(76) Inventor: **Rony Augis**, Bois d'Arcy (FR)

(**) Term: **14 Years**

(21) Appl. No.: **29/405,619**

(22) Filed: **Nov. 3, 2011**

(51) **LOC (9) Cl.** **01-01**

(52) **U.S. Cl.** **D1/129; D1/130**

(58) **Field of Classification Search** D1/100-199;
D30/160; D21/385-386; D24/101-104;
D28/8.1; D11/90; 426/3-6, 76, 87, 89, 94-95,
426/100-104, 122, 128, 136, 138-139, 144,
426/249, 274, 293, 302, 305-307, 383, 438-442,
426/464-474, 460, 450-451, 496-497, 502-504,
426/512, 515-518, 543, 557, 549-550, 556,
426/559, 514, 660, 623, 619, 805, 806, 808,
426/499, 572; 493/140, 152, 155, 157, 901,
493/902; 40/310; 2/60, 98, 116, 123-124,
2/127, 129, 136, 141.1, 155; 249/137, 117

See application file for complete search history.

U.S. PATENT DOCUMENTS

D32,311 S *	3/1900	de Klyn	D1/199
D165,391 S *	12/1951	Peters	D1/115
2,855,305 A *	10/1958	Cella	426/274
D197,564 S *	2/1964	Ruderian	D21/372
D225,627 S *	12/1972	Gomel et al.	D24/101
D230,903 S *	3/1974	Barnes	D1/127
D270,510 S *	9/1983	Miller	D7/676
D309,521 S *	7/1990	Eureka et al.	D1/126
D313,108 S *	12/1990	Rieth	D1/130
D335,944 S *	6/1993	Knowles	D1/199
5,547,695 A *	8/1996	Ricke et al.	426/496

* cited by examiner

Primary Examiner — Barbara Fox

(57) **CLAIM**

The ornamental design for a pastry, as shown and described.

DESCRIPTION

FIG. 1 is a perspective view of a pastry, showing the new design.

FIG. 2 is a top view thereof.

FIG. 3 is a side view thereof, all sides being identical; and,

FIG. 4 is a bottom view thereof.

1 Claim, 2 Drawing Sheets

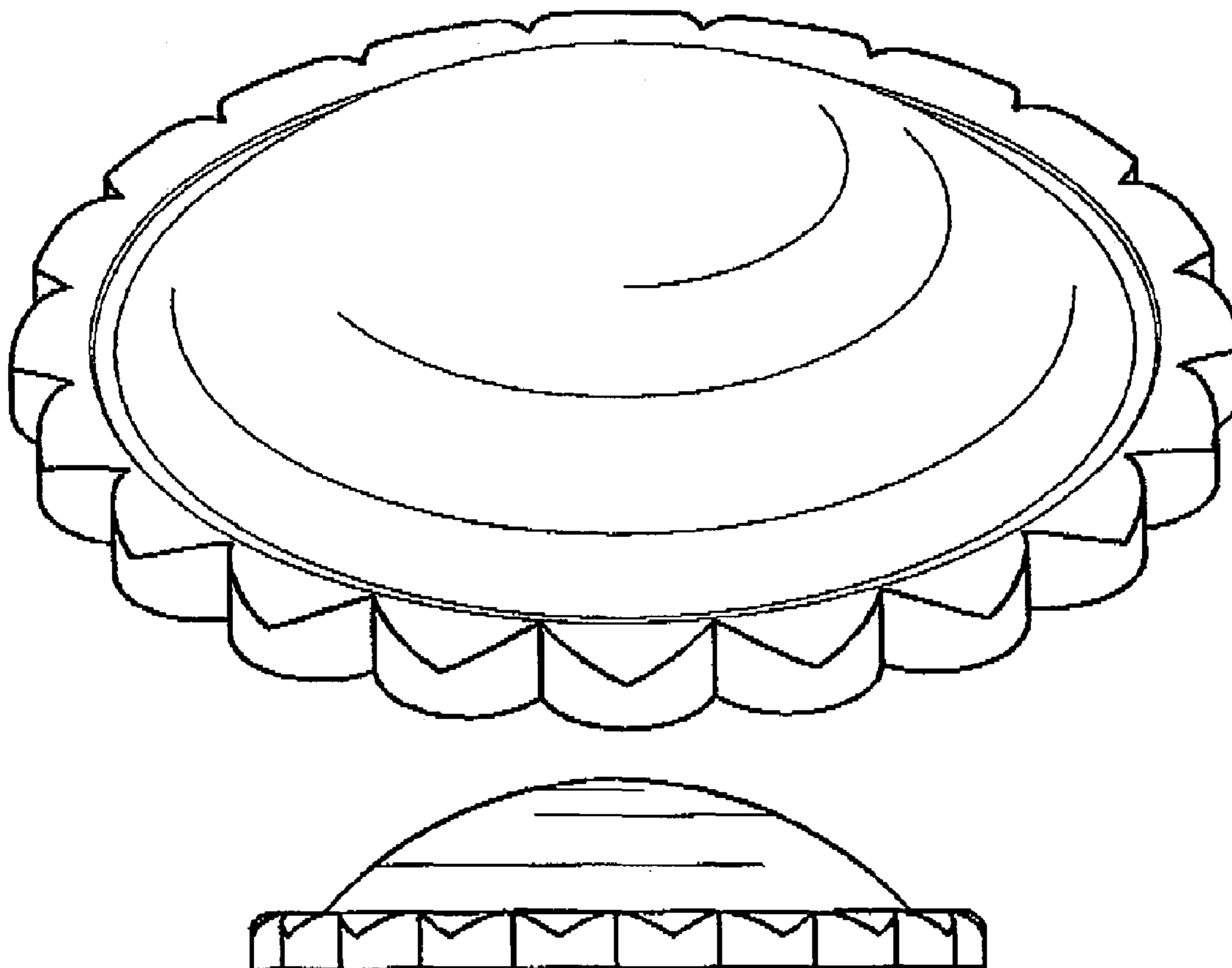


FIG. 1

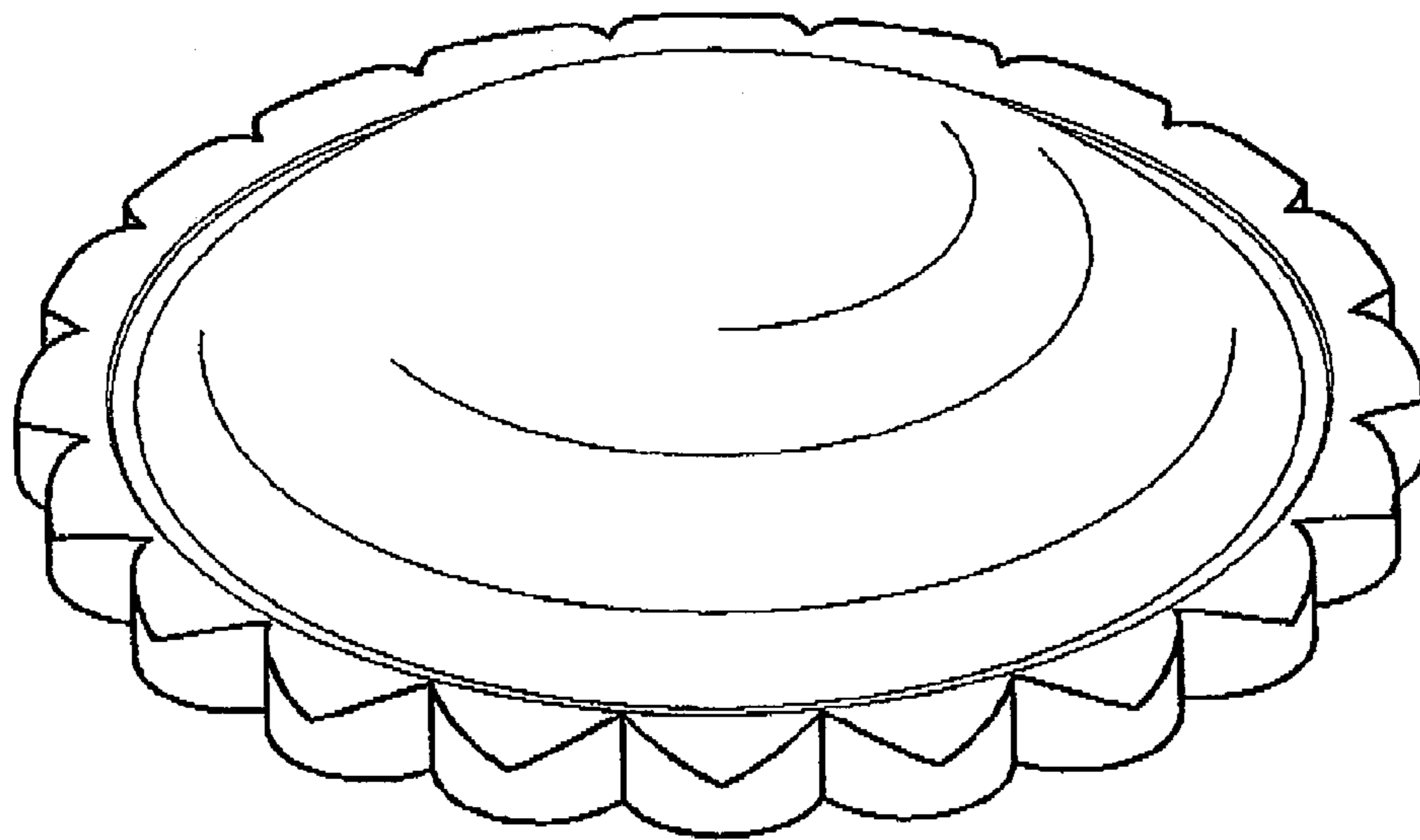


FIG. 2

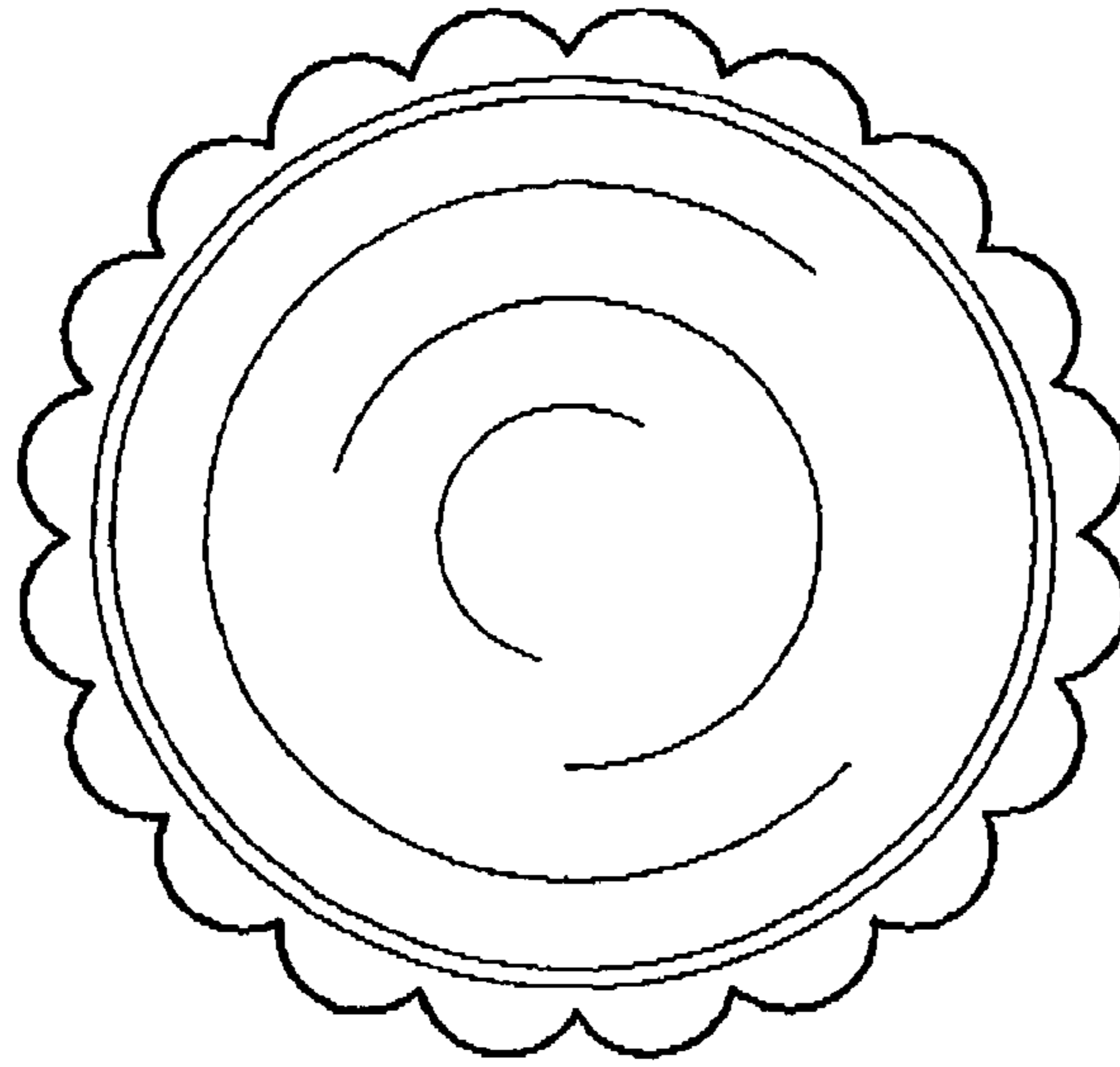


FIG. 3

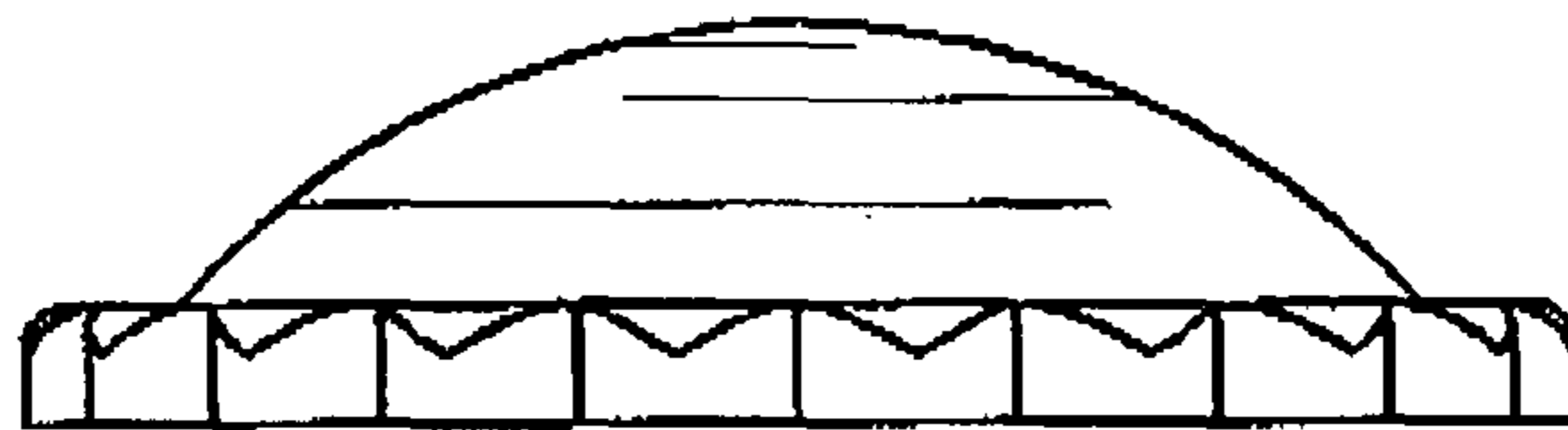


FIG. 4

