



US00D659345S

(12) **United States Design Patent**
Meekma et al.

(10) **Patent No.:** **US D659,345 S**
(45) **Date of Patent:** **** May 8, 2012**

(54) **SAFE**

(75) Inventors: **Glenn P. Meekma**, Menomonee Falls, WI (US); **Scott B. Stevens**, St. Francis, WI (US); **Dean D. Hacker**, Oak Creek, WI (US)

(73) Assignee: **Master Lock Company LLC**, Oak Creek, WI (US)

(**) Term: **14 Years**

(21) Appl. No.: **29/405,782**

(22) Filed: **Nov. 7, 2011**

Related U.S. Application Data

(62) Division of application No. 29/346,502, filed on Nov. 2, 2009.

(51) **LOC (9) Cl.** **99-00**

(52) **U.S. Cl.** **D99/28**

(58) **Field of Classification Search** D99/28, D99/34, 35, 36, 37, 43, 99; D18/3.1, 3.3, D18/12, 12.1; 235/379, 380, 381, 382, 382.5; 194/206; 109/1 R, 1 V, 2, 45, 49.5, 52, 58, 109/59 R, 60, 61, 62, 64, 78; D8/330, 331, D8/333, 334, 343, 499; 70/14, 19, 20, 21, 70/22; 206/0.8, 0.815, 0.82

See application file for complete search history.

(56) **References Cited**

U.S. PATENT DOCUMENTS

D59,734 S 11/1921 Fisher
1,634,884 A 7/1927 Peer

1,955,809 A 4/1934 Hobbs
D175,369 S 8/1955 Sciacero
2,755,748 A 7/1956 Parker, Jr.
D181,025 S 9/1957 Sederquist et al.
D183,094 S 6/1958 Heath
3,026,704 A 3/1962 Baker
3,084,532 A 4/1963 Delbert
3,146,739 A 9/1964 Furman
3,742,741 A 7/1973 Cahan

(Continued)

OTHER PUBLICATIONS

International Search Report and Written Opinion from International Application No. PCT/US2007/04968, mailed Aug. 27, 2008.

Primary Examiner — Elizabeth J Oswecki

(74) *Attorney, Agent, or Firm* — Calfee, Halter Griswold LLP

(57) **CLAIM**

We claim the ornamental design for a safe, as shown and described.

DESCRIPTION

FIG. 1 is a front perspective view of a safe showing our new design;

FIG. 2 is a rear perspective view of the safe of FIG. 1;

FIG. 3 is a top view of the safe of FIG. 1;

FIG. 4 is a front view of the safe of FIG. 1;

FIG. 5 is a rear view of the safe of FIG. 1;

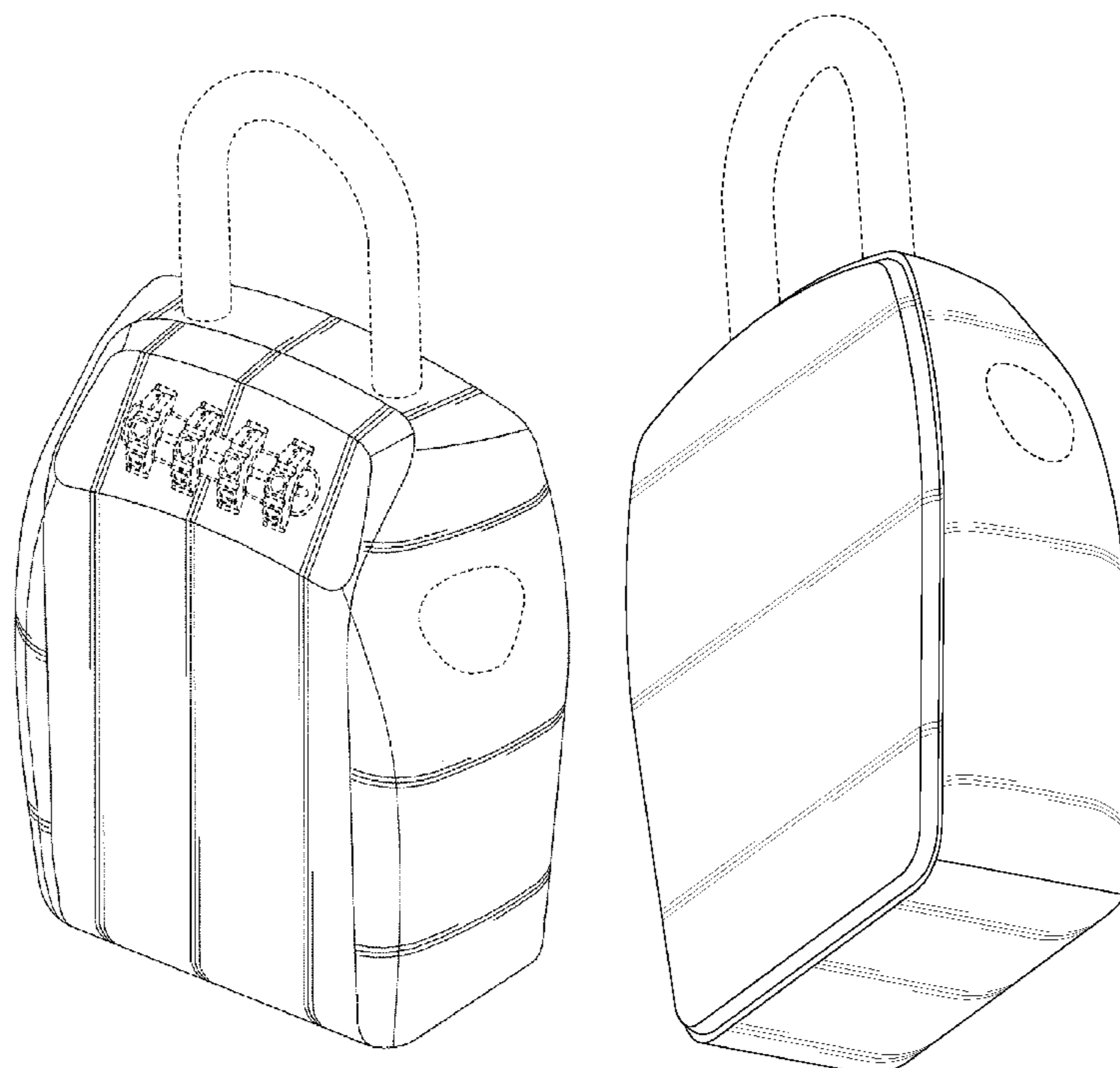
FIG. 6 is a bottom view of the safe of FIG. 1;

FIG. 7 is a left side view of the safe of FIG. 1; and,

FIG. 8 is a right side view of the safe of FIG. 1.

In the drawings, the broken lines in FIGS. 1-5, 7 and 8 depict portions of the design that form no part of the claim.

1 Claim, 5 Drawing Sheets



US D659,345 S

U.S. PATENT DOCUMENTS

D231,895 S	6/1974	Stolarz	7,426,841 B2	9/2008	Yang	
3,934,434 A	1/1976	Law	D579,174 S	10/2008	Decarlo et al.	
D271,350 S	11/1983	Robbins	7,434,426 B2	10/2008	Loughlin et al.	
D273,053 S	3/1984	Hamborg	D590,695 S	4/2009	Wu	
0,351,499 A	10/1984	Gay et al.	7,516,631 B2	4/2009	Hacker et al.	
D278,689 S	5/1985	Jupe	D592,934 S	5/2009	Yang	
D279,324 S	6/1985	Tanaka	D598,175 S *	8/2009	Pendleton	D99/28
4,641,505 A	2/1987	Maurice	D614,044 S	4/2010	Mouquet	
4,651,544 A	3/1987	Hungerford	D623,824 S	9/2010	Pendleton	
D298,679 S	11/1988	Casini et al.	D630,260 S	1/2011	Cole et al.	
4,838,052 A	6/1989	Williams et al.	7,891,220 B2	2/2011	Yen et al.	
D309,054 S	7/1990	Knox	D634,915 S *	3/2011	Nave et al.	D99/28
D310,211 S	8/1990	Tanbe	D635,324 S	3/2011	Plato	
4,951,577 A	8/1990	Bentley	D635,325 S	3/2011	Plato	
5,065,156 A	11/1991	Bernier	7,913,526 B2	3/2011	Loughlin et al.	
D350,002 S	8/1994	Viola	D638,684 S	5/2011	Stevens	
D365,430 S	12/1995	Riboli	7,934,406 B2	5/2011	Loughlin et al.	
D380,793 S	7/1997	Conwell	7,946,141 B2	5/2011	Ng et al.	
5,737,947 A	4/1998	Ling	D641,535 S	7/2011	Kan	
5,738,020 A	4/1998	Correia	D642,893 S	8/2011	Yang	
5,758,522 A	6/1998	York	D650,548 S *	12/2011	Meekma et al.	D99/28
D407,184 S	3/1999	Endelson	2004/0226325 A1	11/2004	Ling	
5,927,114 A	7/1999	Berry	2005/0223758 A1	10/2005	Yu	
D432,755 S	10/2000	Perkitny et al.	2005/0229655 A1 *	10/2005	Yu	70/63
D462,517 S	9/2002	Knox et al.	2006/0065024 A1	3/2006	Gutierrez et al.	
D484,776 S	1/2004	Ruan	2006/0137949 A1 *	6/2006	Levinson et al.	190/18 A
6,813,912 B1	11/2004	Ng et al.	2006/0213237 A1	9/2006	Yang	
6,834,519 B1	12/2004	Yang	2006/0266084 A1 *	11/2006	Kuo et al.	70/21
7,057,660 B1	6/2006	Okuda	2007/0157679 A1 *	7/2007	Ling et al.	70/21
D534,965 S	1/2007	Chung	2007/0180873 A1	8/2007	Yen et al.	
D539,540 S	4/2007	Perlman et al.	2008/0011554 A1	5/2008	Yang	
7,251,967 B2	8/2007	Yang	2008/0098939 A1	5/2008	Kalous et al.	
7,299,667 B1	11/2007	Miresmaili	2008/0134729 A1 *	6/2008	Loughlin et al.	70/22
D560,875 S	1/2008	Decarlo et al.	2008/0229983 A1 *	9/2008	Pendleton	109/45
D569,609 S	5/2008	Hacker				

* cited by examiner

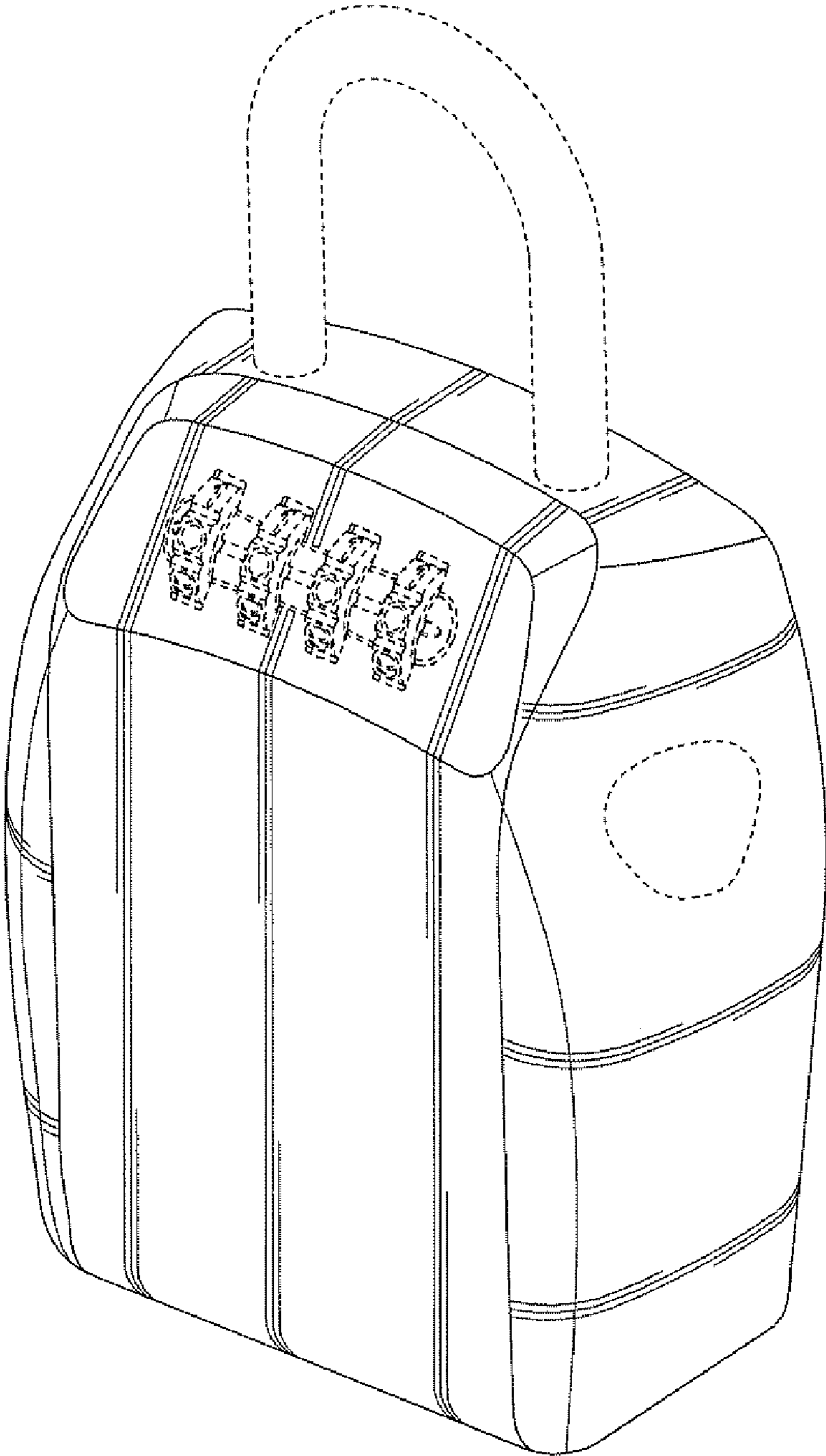


FIG. 1

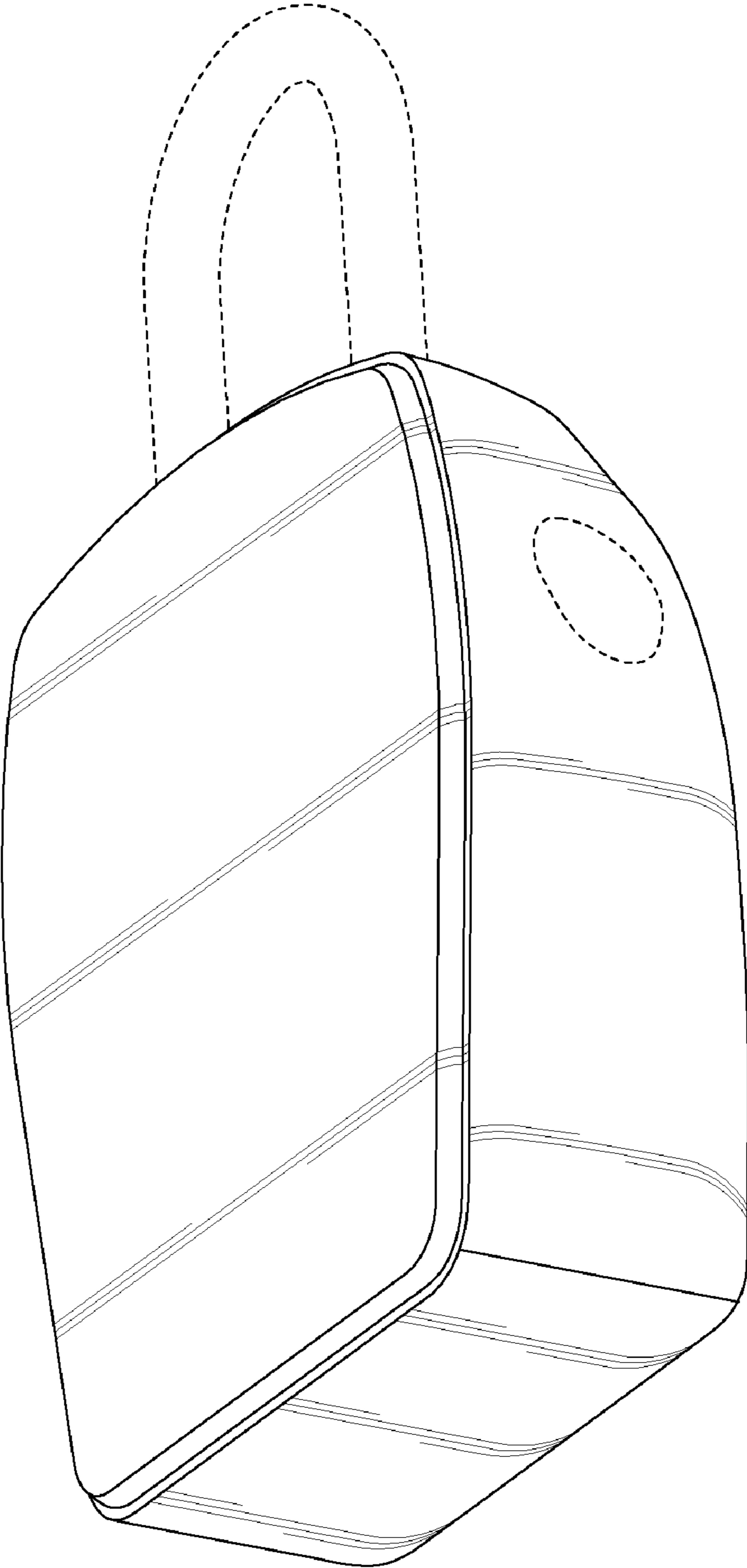


FIG. 2

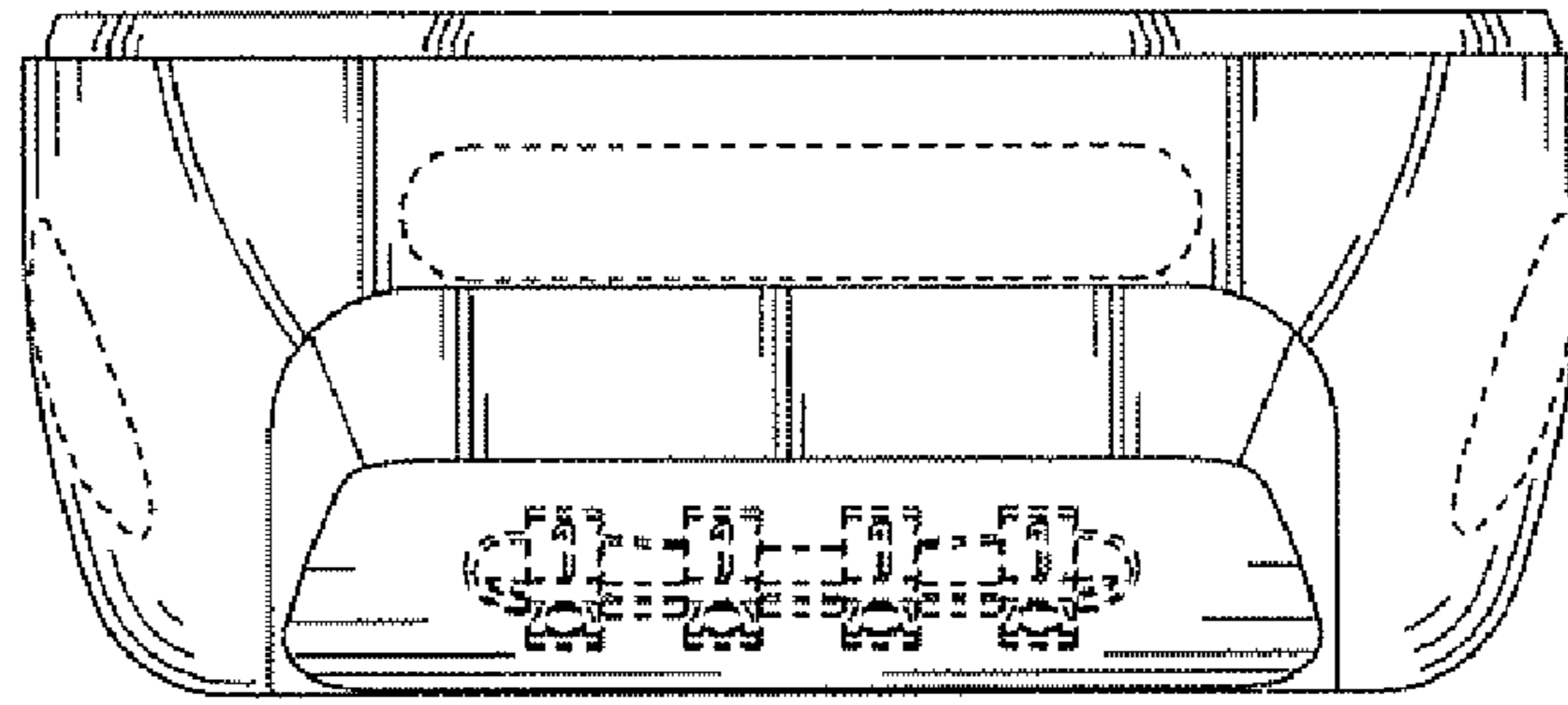


FIG. 3

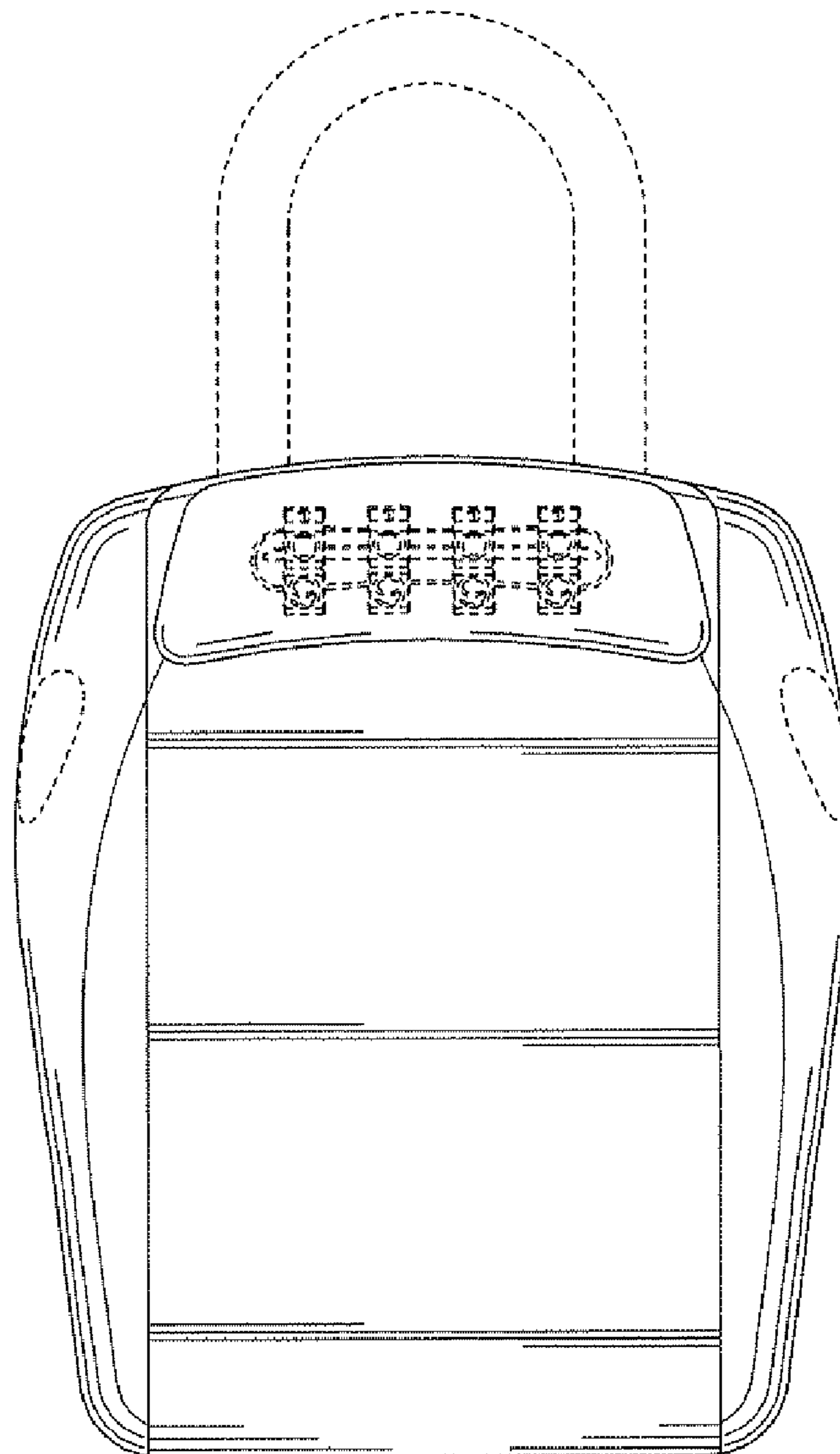


FIG. 4

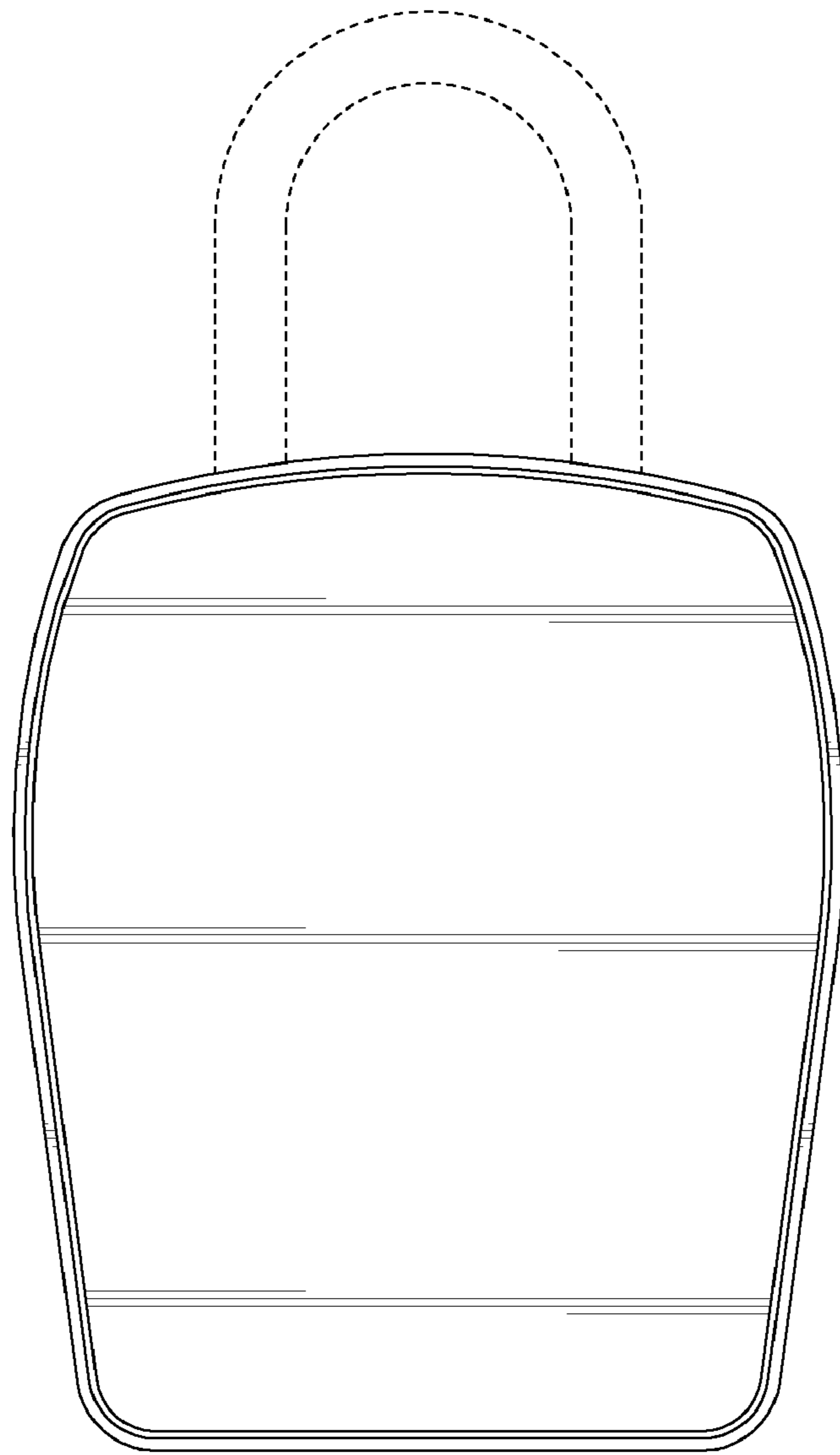


FIG. 5

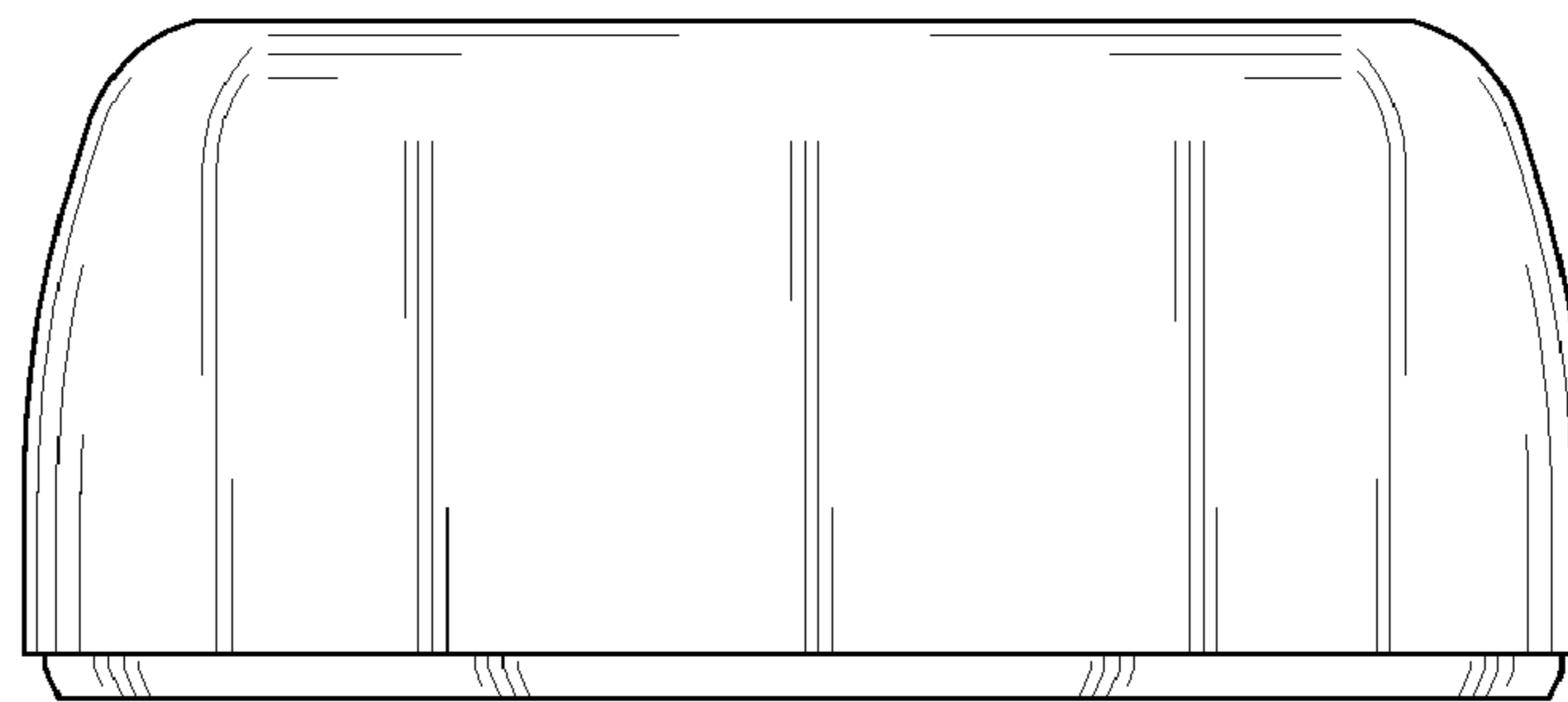


FIG. 6

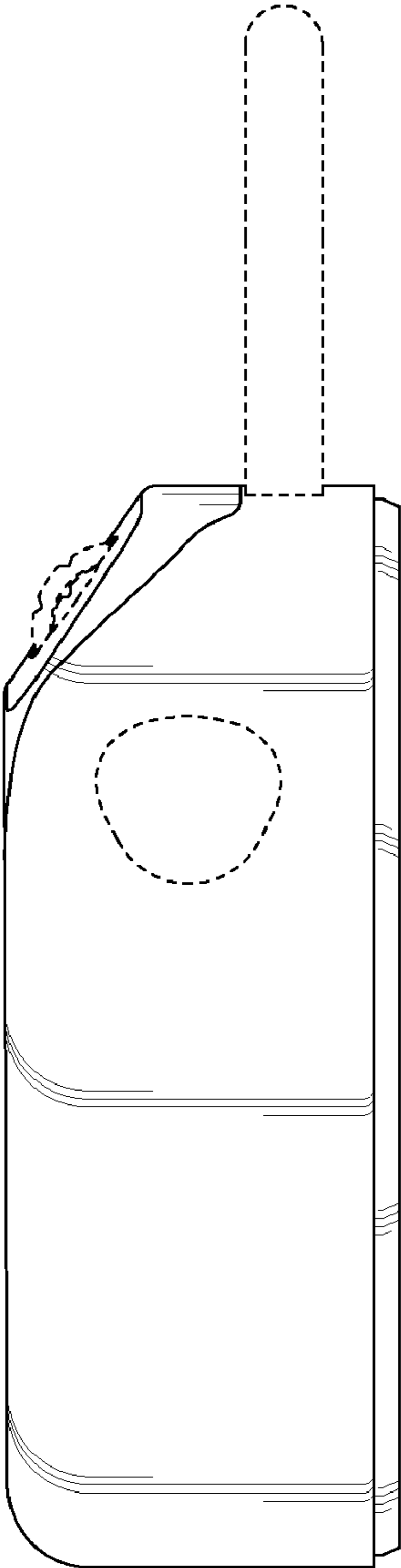


FIG. 7

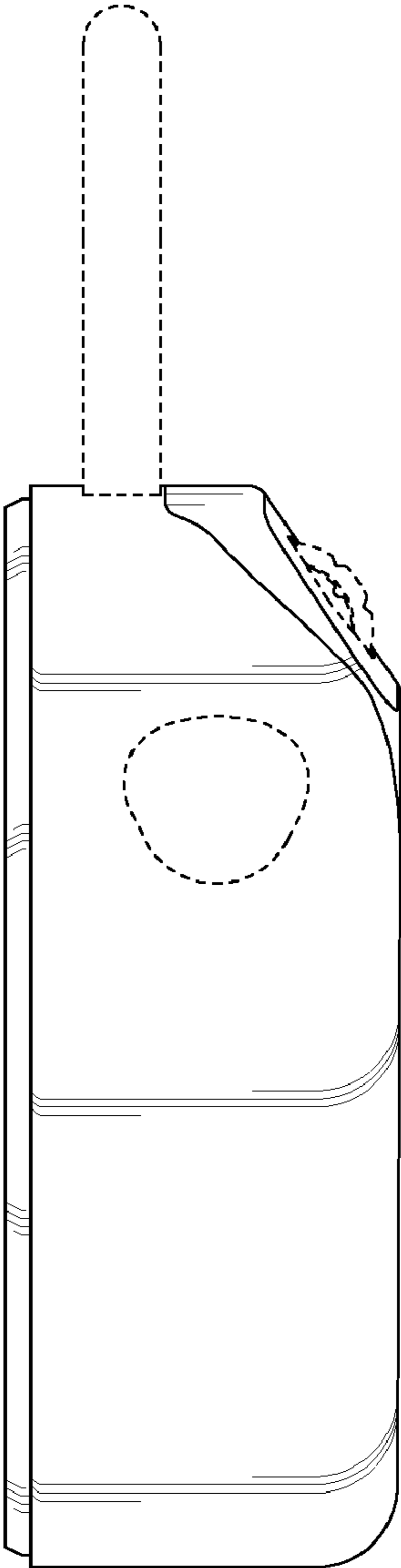


FIG. 8