



US00D659343S

(12) **United States Design Patent**  
**Saitou et al.**

(10) **Patent No.:** **US D659,343 S**

(45) **Date of Patent:** **\*\* May 8, 2012**

(54) **MONITOR PANEL FOR A CONSTRUCTION VEHICLE**

(75) Inventors: **Tomohiro Saitou**, Hiratsuka (JP); **Takeo Ito**, Yokohama (JP); **Masahiko Hosaka**, Hiratsuka (JP)

(73) Assignee: **Komatsu Ltd.**, Tokyo (JP)

(\*\*) Term: **14 Years**

(21) Appl. No.: **29/394,762**

(22) Filed: **Jun. 21, 2011**

(30) **Foreign Application Priority Data**

Dec. 22, 2010 (JP) ..... 2010-030662

(51) **LOC (9) Cl.** ..... **12-05**

(52) **U.S. Cl.** ..... **D34/35; D15/28**

(58) **Field of Classification Search** ..... D15/28;  
D34/34, 35; D12/192, 400, 415; 180/19.1,  
180/19.3, 90; 296/70; 280/43.12, 752  
See application file for complete search history.

(56) **References Cited**

**U.S. PATENT DOCUMENTS**

D277,795 S *	2/1985	Griffiths	.....	D34/35
D371,345 S *	7/1996	Martino et al.	.....	D14/339
D382,569 S *	8/1997	Esposito	.....	D15/28
D407,075 S *	3/1999	Wung	.....	D14/335
D432,963 S *	10/2000	Meinhardt	.....	D12/192
D434,425 S *	11/2000	Rossow et al.	.....	D15/28
D436,604 S *	1/2001	Rossow et al.	.....	D15/28
D439,257 S *	3/2001	Rossow et al.	.....	D15/28
D444,750 S *	7/2001	Meinhardt	.....	D12/192
D519,132 S *	4/2006	Laux et al.	.....	D15/28
D525,409 S *	7/2006	Cantrill et al.	.....	D34/35
D527,665 S	9/2006	Koide et al.	.....	
D529,052 S *	9/2006	Dolesh et al.	.....	D15/28
D532,427 S *	11/2006	Kim	.....	D15/28
D542,504 S	5/2007	Yanagida et al.	.....	

D543,558 S *	5/2007	Dolesh et al.	.....	D15/28
D555,676 S *	11/2007	Haubrich et al.	.....	D15/28
D557,190 S *	12/2007	Young et al.	.....	D12/192
D557,645 S *	12/2007	Akagawa et al.	.....	D12/192
D563,624 S *	3/2008	Kato et al.	.....	D34/35
D568,574 S *	5/2008	Kato et al.	.....	D34/35
D578,272 S *	10/2008	Kato et al.	.....	D34/35

(Continued)

**FOREIGN PATENT DOCUMENTS**

JP 1261381 S 1/2006

(Continued)

*Primary Examiner* — Mark Goodwin

(74) *Attorney, Agent, or Firm* — Fish & Richardson P.C.

(57) **CLAIM**

The ornamental design for a monitor panel for a construction vehicle, as shown and described.

**DESCRIPTION**

FIG. 1 is a front, top and right side perspective view of a monitor panel for a construction vehicle showing our new design;

FIG. 2 is a rear, bottom and left side perspective view thereof;

FIG. 3 is a rear view thereof;

FIG. 4 is a left side elevational view thereof;

FIG. 5 is an enlarged view of the portion indicated by lines 5-5 in FIG. 2;

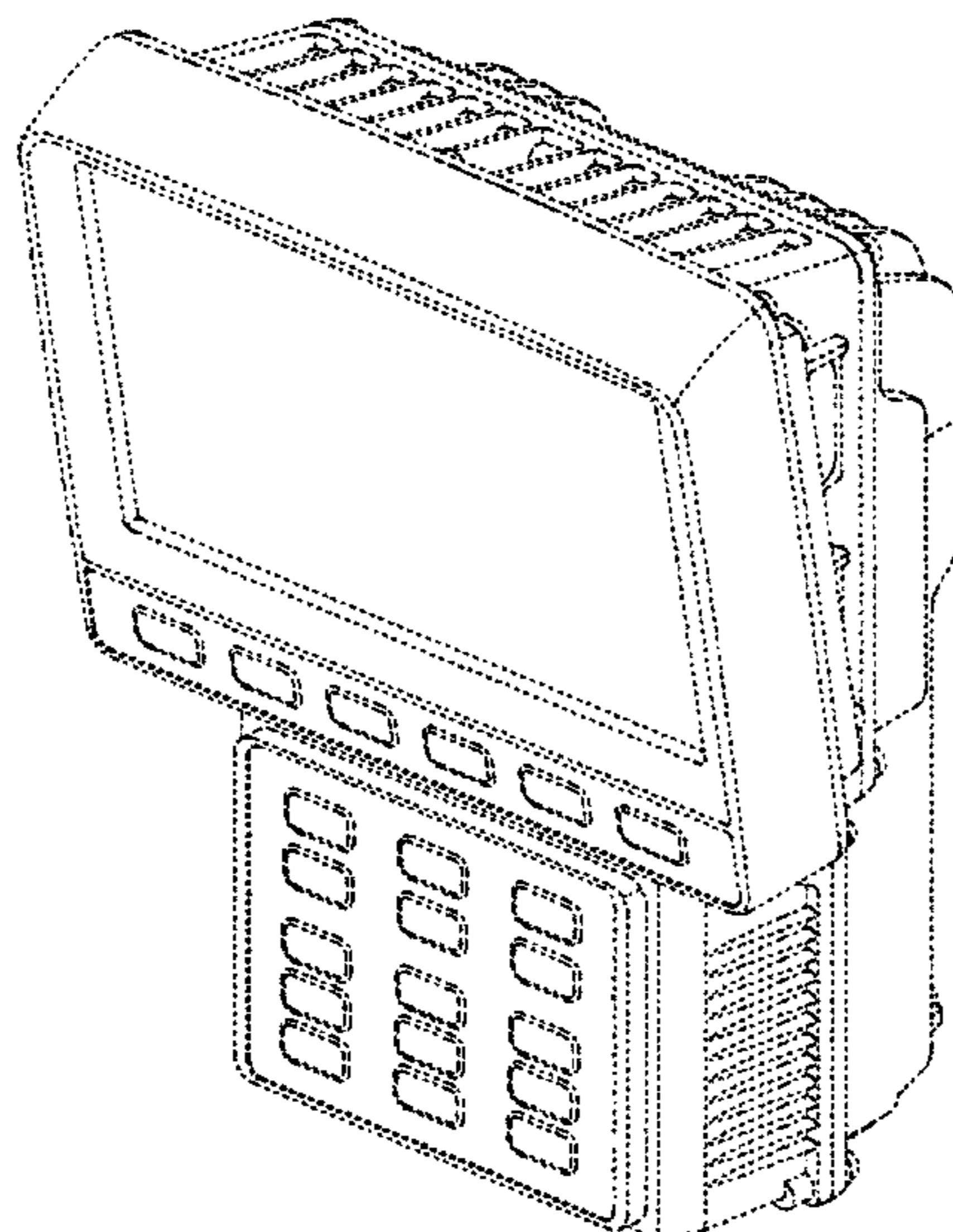
FIG. 6 is an enlarged view of the portion indicated by lines 6-6 in FIG. 4;

FIG. 7 is an enlarged cross-sectional view of the portion indicated by lines 7-7 in FIG. 3, taken along line 7-7 in FIG. 4 with the internal structure omitted; and,

FIG. 8 is a referential view showing the article in use.

The features shown in broken lines in the drawings depict environmental subject matter only and form no part of the claimed design. The dot-dashed lines denote the boundary of the claim and form no part of the claimed design.

**1 Claim, 8 Drawing Sheets**



# US D659,343 S

Page 2

---

## U.S. PATENT DOCUMENTS

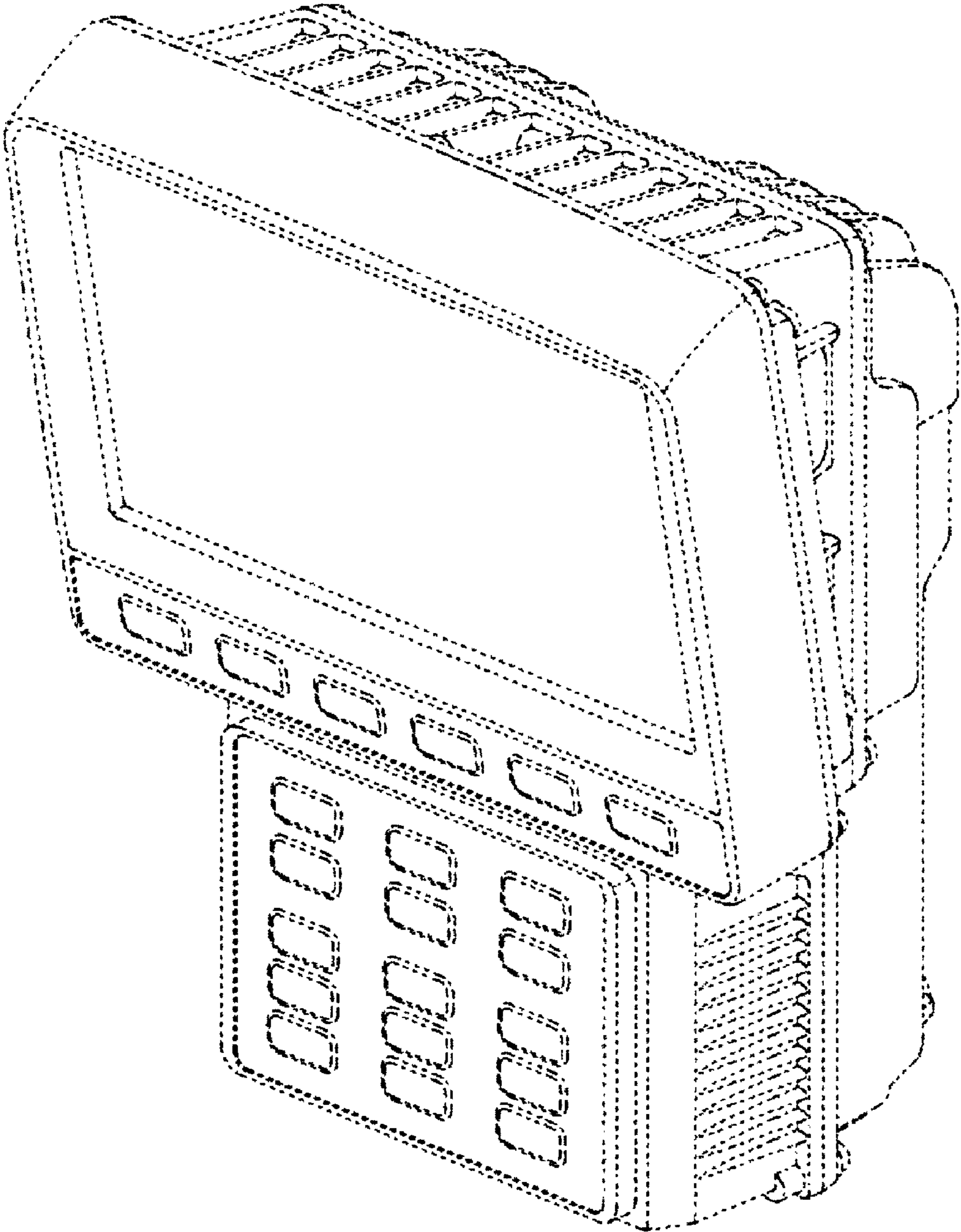
D581,624	S	*	11/2008	Kato	.....	D34/35	
D590,122	S	*	4/2009	Shaw et al.	.....	D34/35	
D599,075	S	*	8/2009	Shibata et al.	.....	D34/35	
D628,603	S	*	12/2010	Berning et al.	.....	D15/28	
D636,410	S	*	4/2011	Ono et al.	.....	D15/28	
D640,293	S	*	6/2011	Ono et al.	.....	D15/28	
D647,543	S	*	10/2011	Mori et al.	.....	D15/28	

## FOREIGN PATENT DOCUMENTS

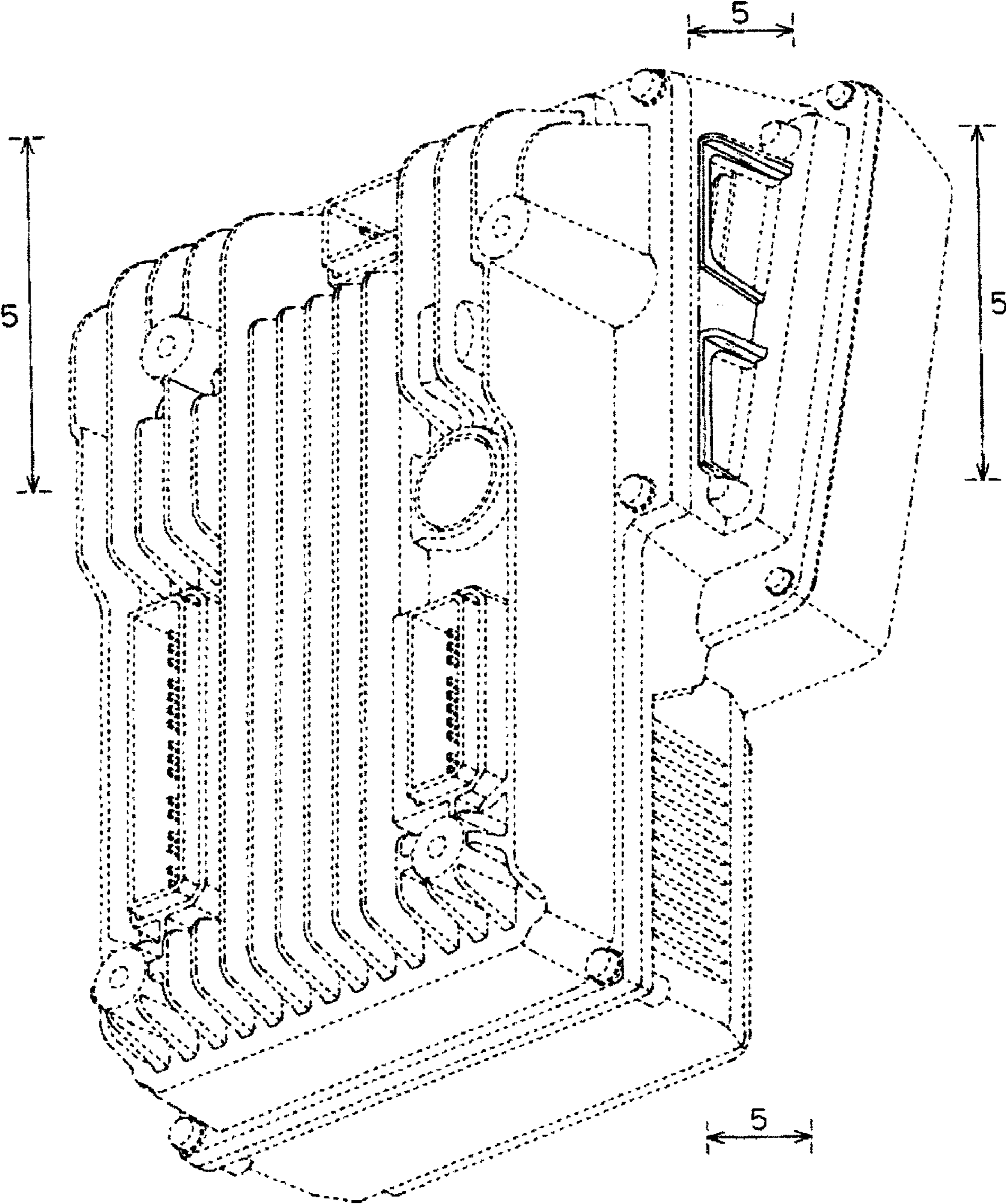
1264964	S		3/2006
1281501	S		9/2006
2006-327308	A		12/2006

\* cited by examiner

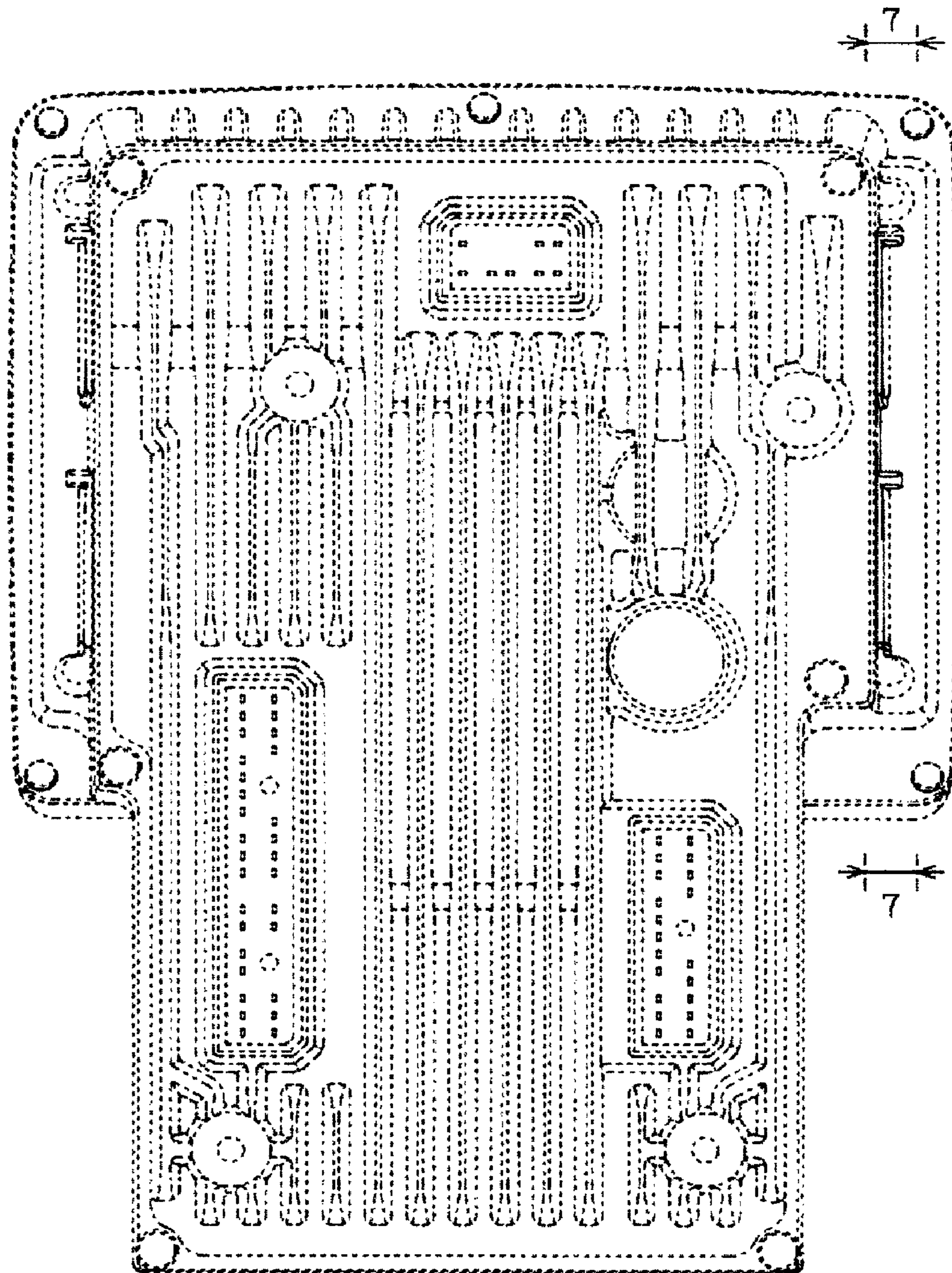
**Fig. 1**



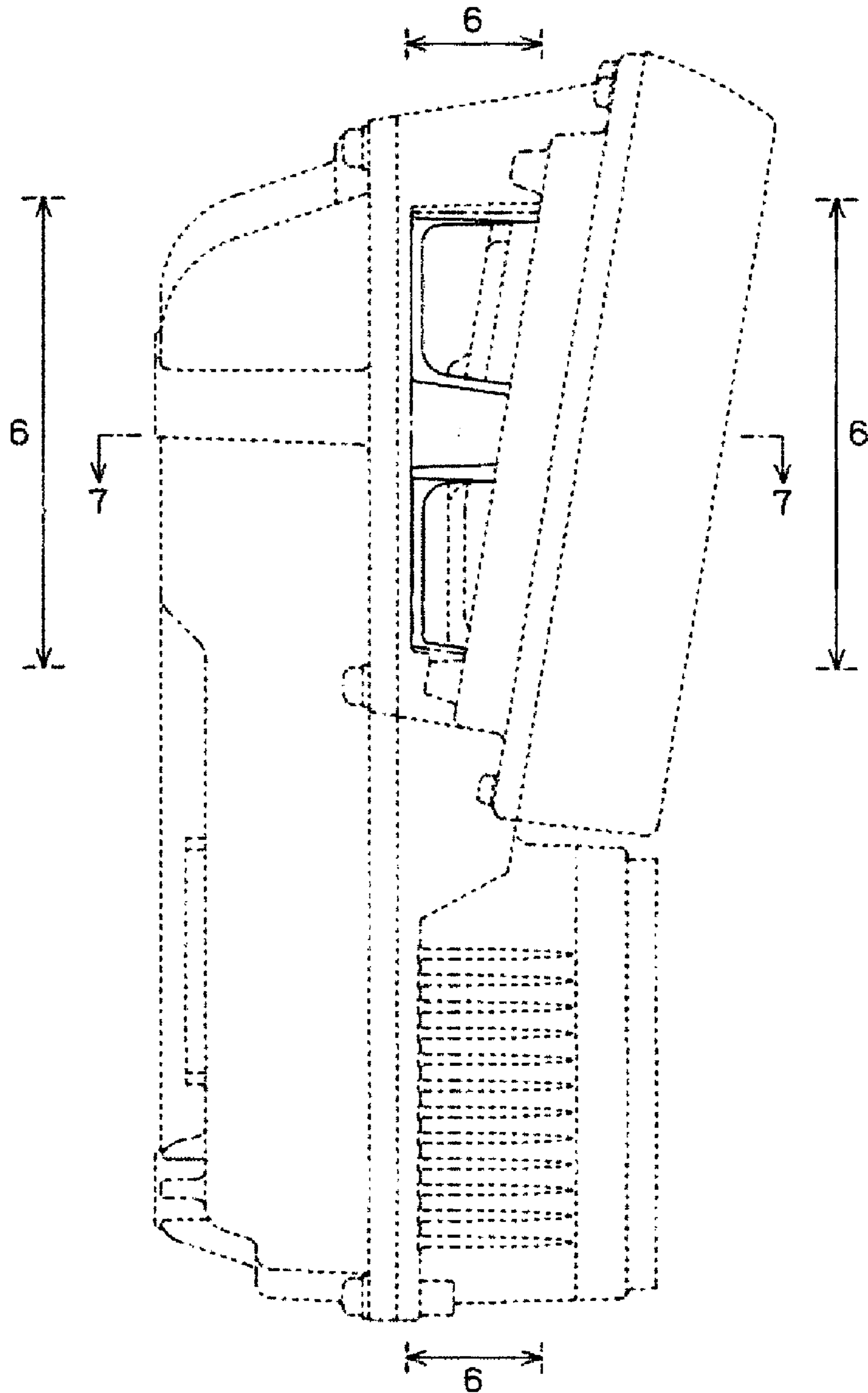
**Fig. 2**



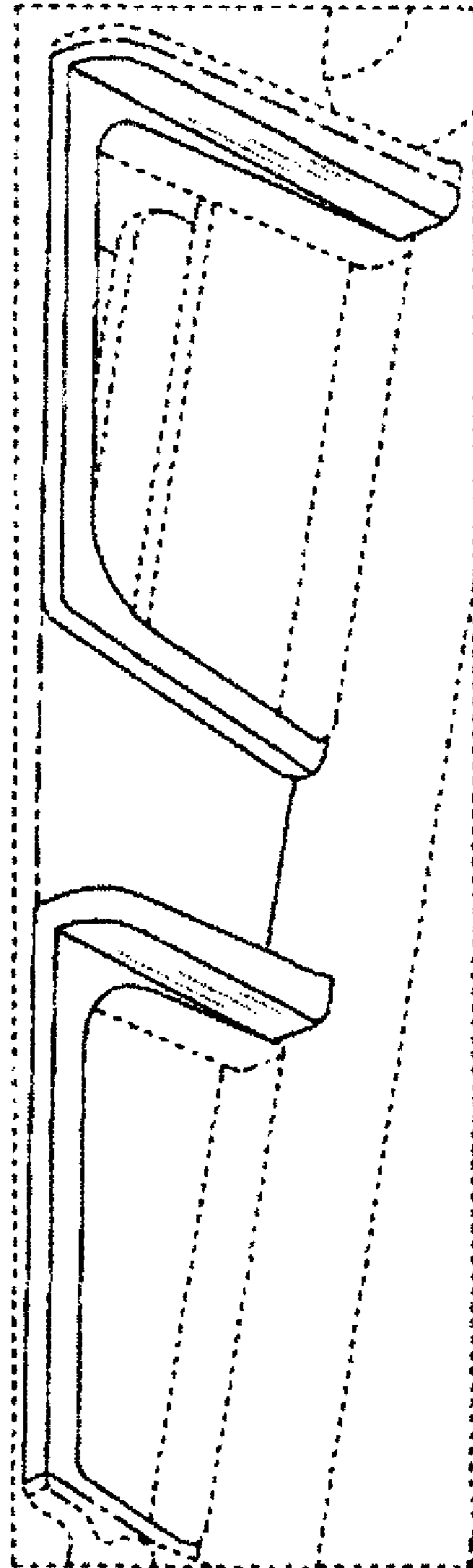
**Fig. 3**



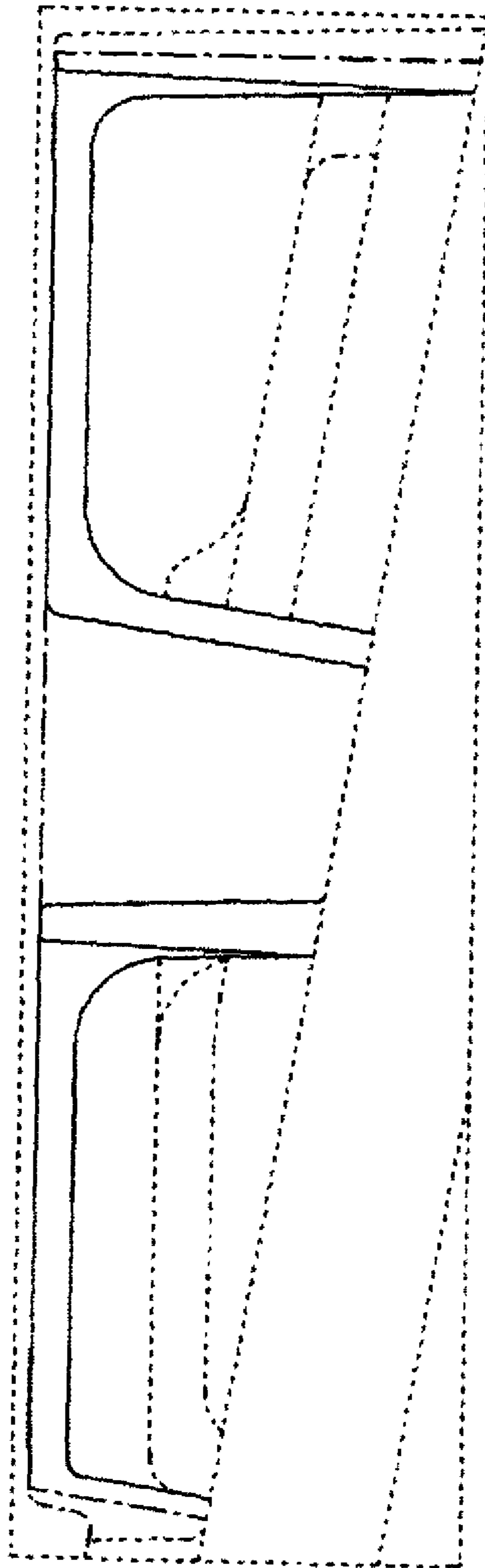
**Fig. 4**



**Fig. 5**

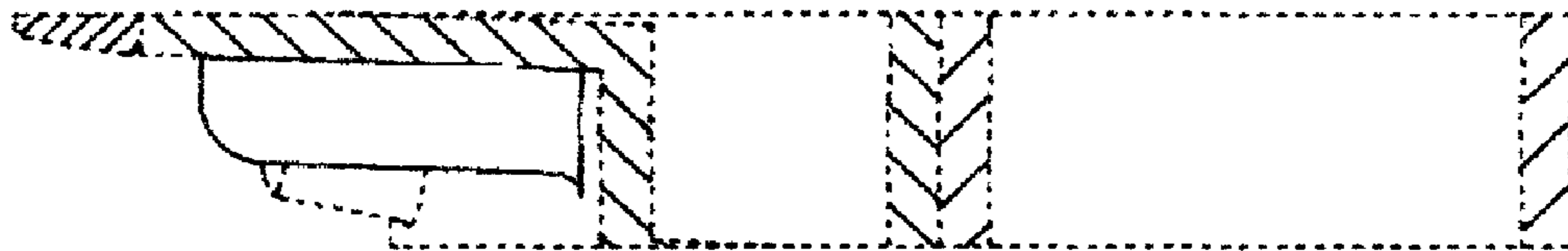


**Fig. 6**





**Fig. 7**



**Fig. 8**

