



US00D659342S

(12) **United States Design Patent**
Cichetti et al.

(10) **Patent No.:** **US D659,342 S**

(45) **Date of Patent:** **** May 8, 2012**

(54) **TOWER LIFT**

(75) Inventors: **Ralph Cichetti**, Montrose, CA (US);
David D. MacMurtry, North
Hollywood, CA (US); **Quang N.**
Truong, Rosemead, CA (US); **Risto M.**
Salo, Valencia, CA (US); **Amanda**
Uhlein, Wayne, NJ (US)

(73) Assignee: **Grosh Scenic Rentals, Inc.**, Hollywood,
CA (US)

(**) Term: **14 Years**

(21) Appl. No.: **29/399,356**

(22) Filed: **Aug. 12, 2011**

(51) **LOC (9) Cl.** **12-05**

(52) **U.S. Cl.** **D34/33**

(58) **Field of Classification Search** D34/28,
D34/33, 35, 31, 36; 254/2 R, 1, 93 H; 414/462;
212/180; 452/187

See application file for complete search history.

(56) **References Cited**

U.S. PATENT DOCUMENTS

561,313 A * 6/1896 Hadley 212/223
D389,980 S * 1/1998 Friz D34/34
6,202,868 B1 * 3/2001 Murray 212/294

D467,403 S * 12/2002 Aquino D34/33
7,201,552 B1 * 4/2007 Angel et al. 414/462
D592,822 S * 5/2009 Boucher et al. D34/31
2010/0264384 A1 * 10/2010 Realegeno-Amaya 254/2 R

* cited by examiner

Primary Examiner — Cynthia Ramirez

(74) *Attorney, Agent, or Firm* — Christie, Parker & Hale,
LLP

(57) **CLAIM**

The ornamental design for tower lift, as shown and described.

DESCRIPTION

FIG. 1 is a rear perspective view of a tower lift of the present invention in a retracted position;

FIG. 2 is a left side elevation view of the tower lift of FIG. 1;

FIG. 3 is a rear elevation view of the tower lift of FIG. 1;

FIG. 4 is a right side elevation view of the tower lift of FIG. 1;

FIG. 5 is a front elevation view of the tower lift of FIG. 1;

FIG. 6 is a top plan view of the tower lift of FIG. 1; and,

FIG. 7 is a rear perspective view of the tower lift of FIG. 1 in an extended position. The extended bars are shown broken away to indicate that no specific height is being claimed.

The broken line showing of the bolts on the base of the tower lift is included for the purpose of illustrating elements of the tower lift and forms no part of the claimed design.

The broken lines on the ends of the bars at the top of the tower lift indicate that no specific length is claimed.

1 Claim, 7 Drawing Sheets

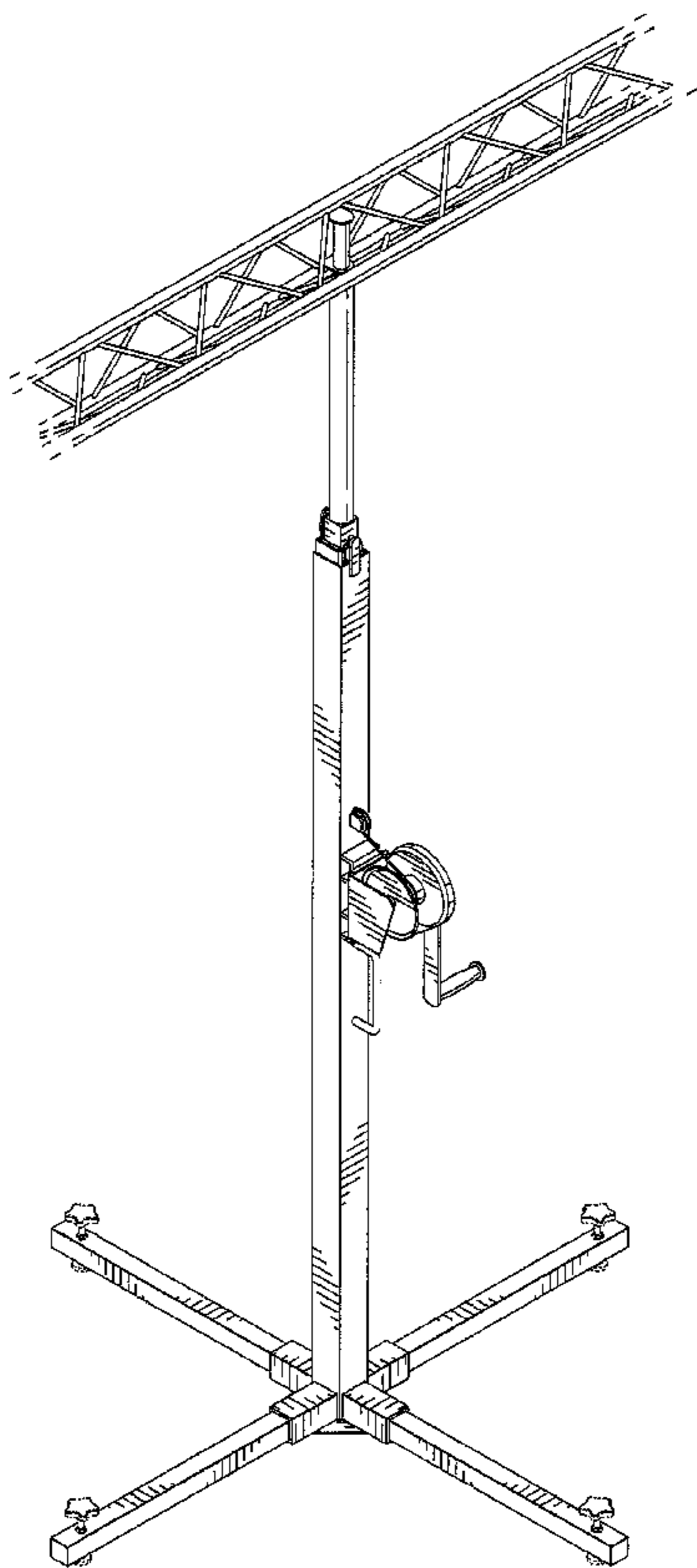


FIG. 1

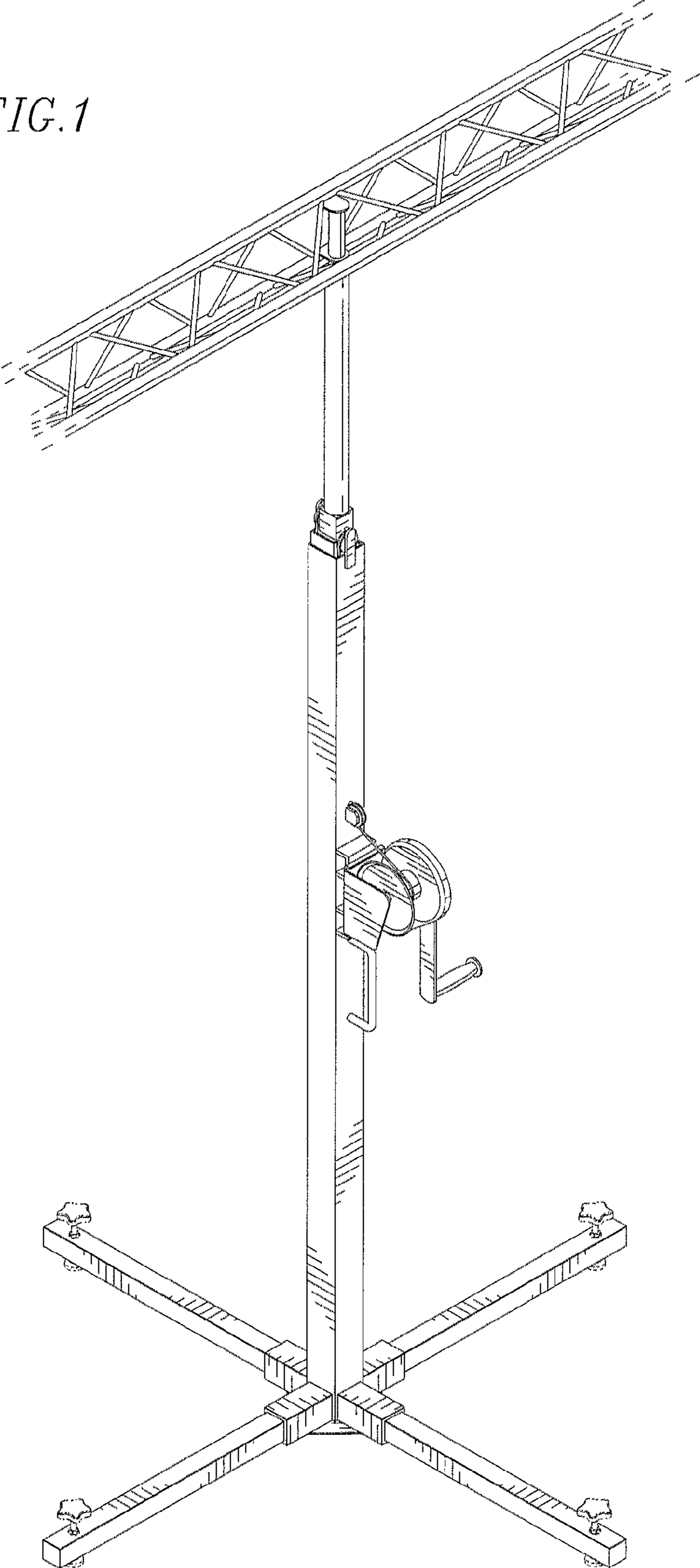
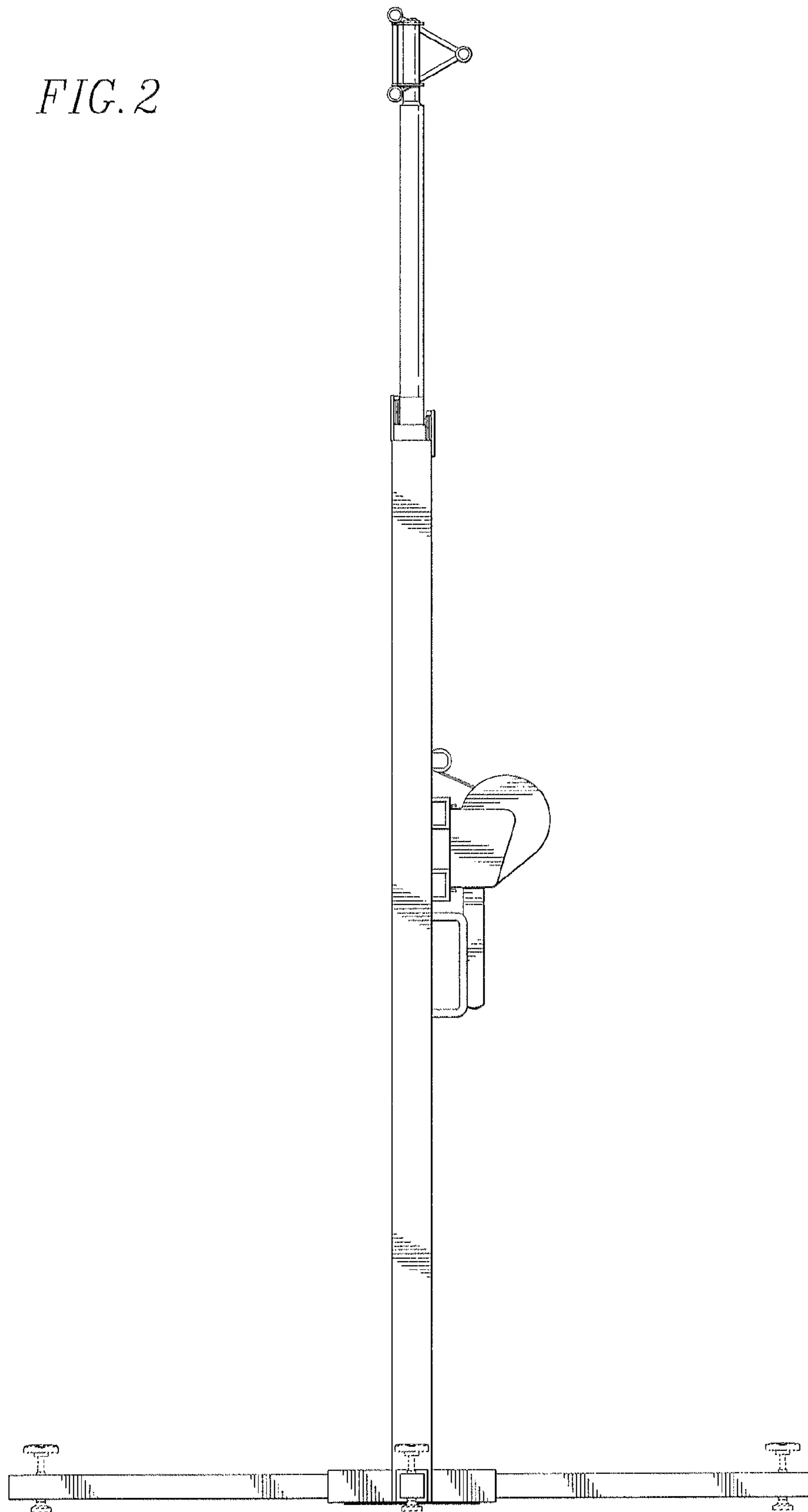


FIG. 2



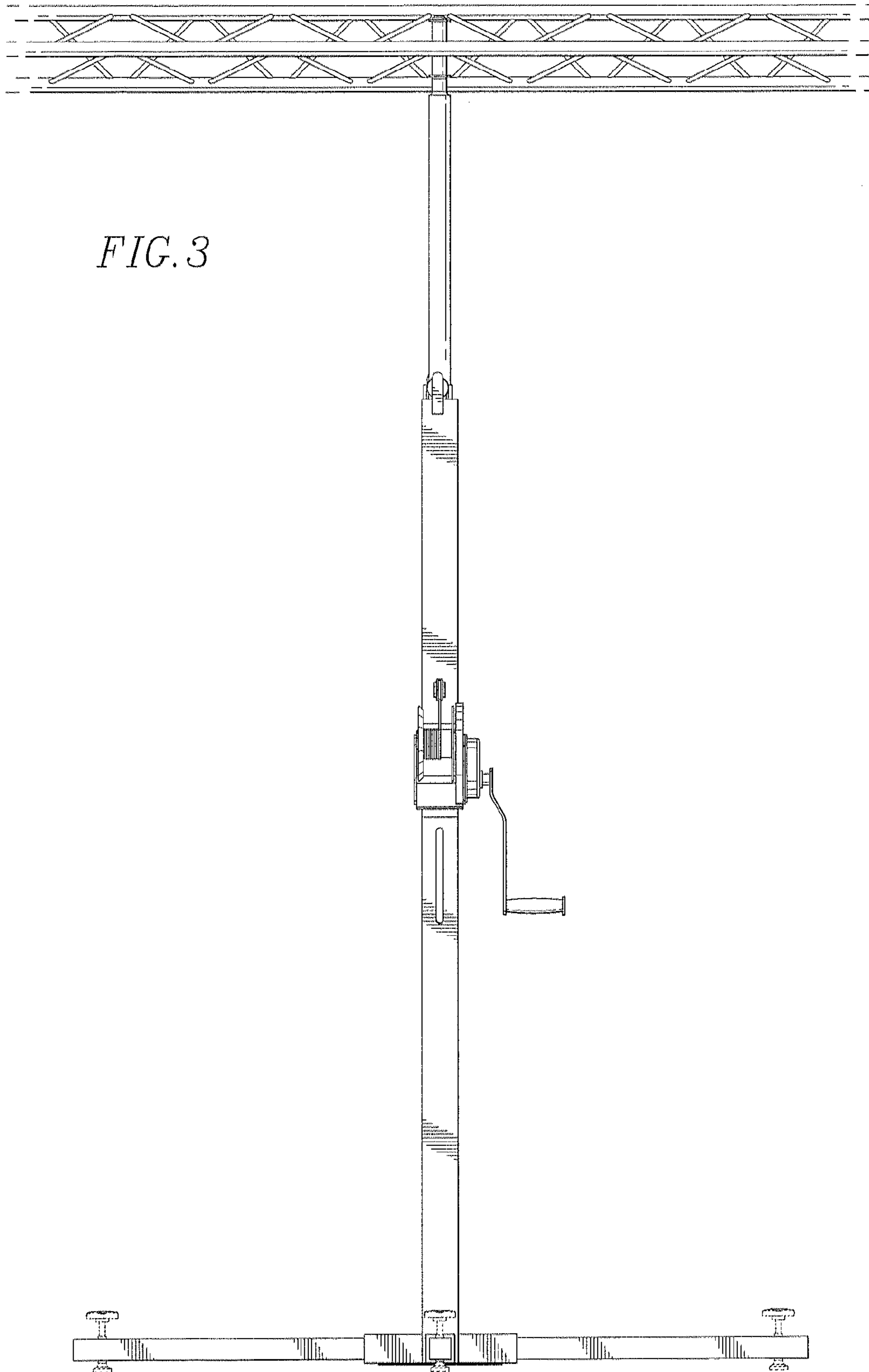
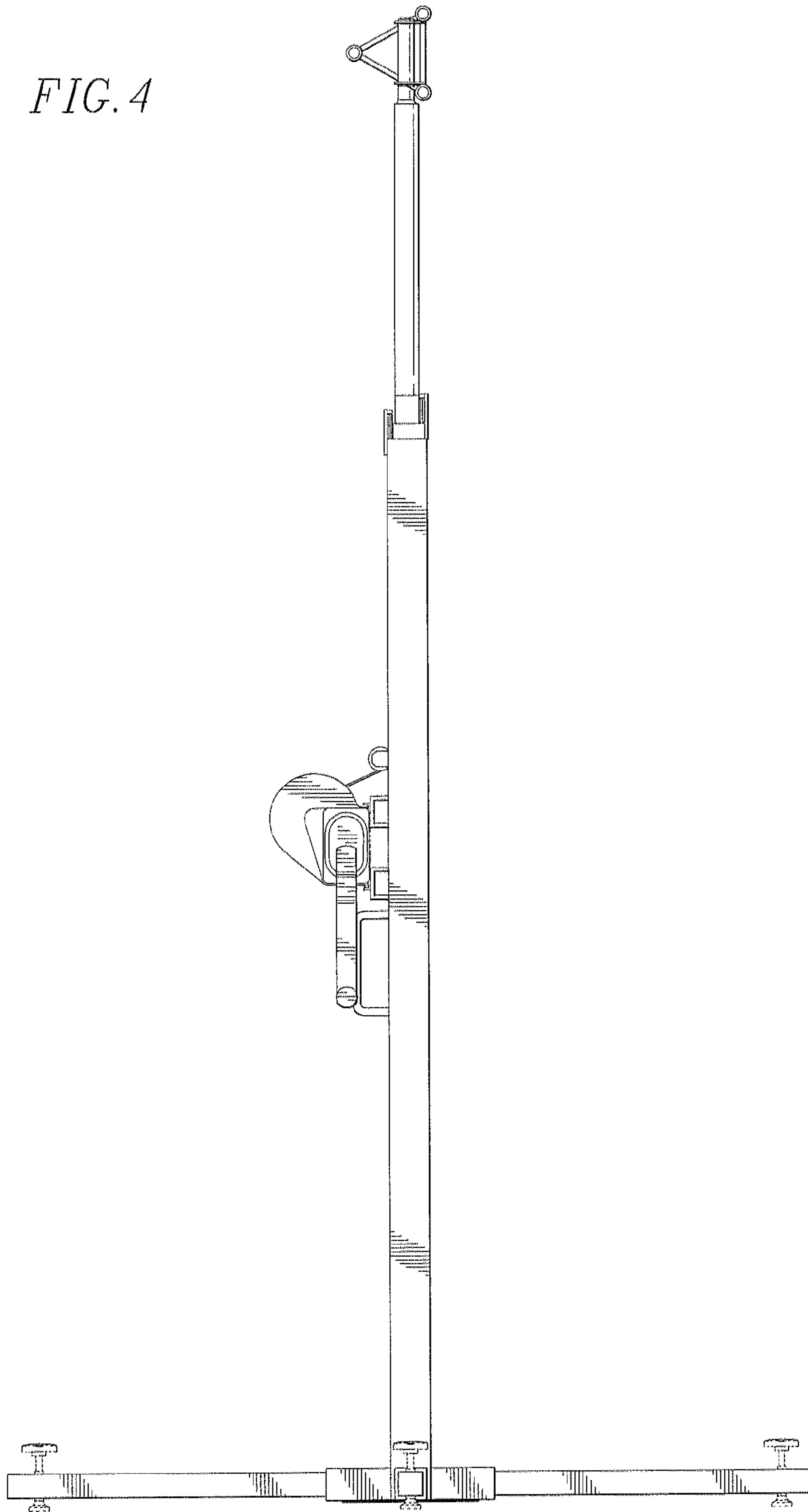


FIG. 4



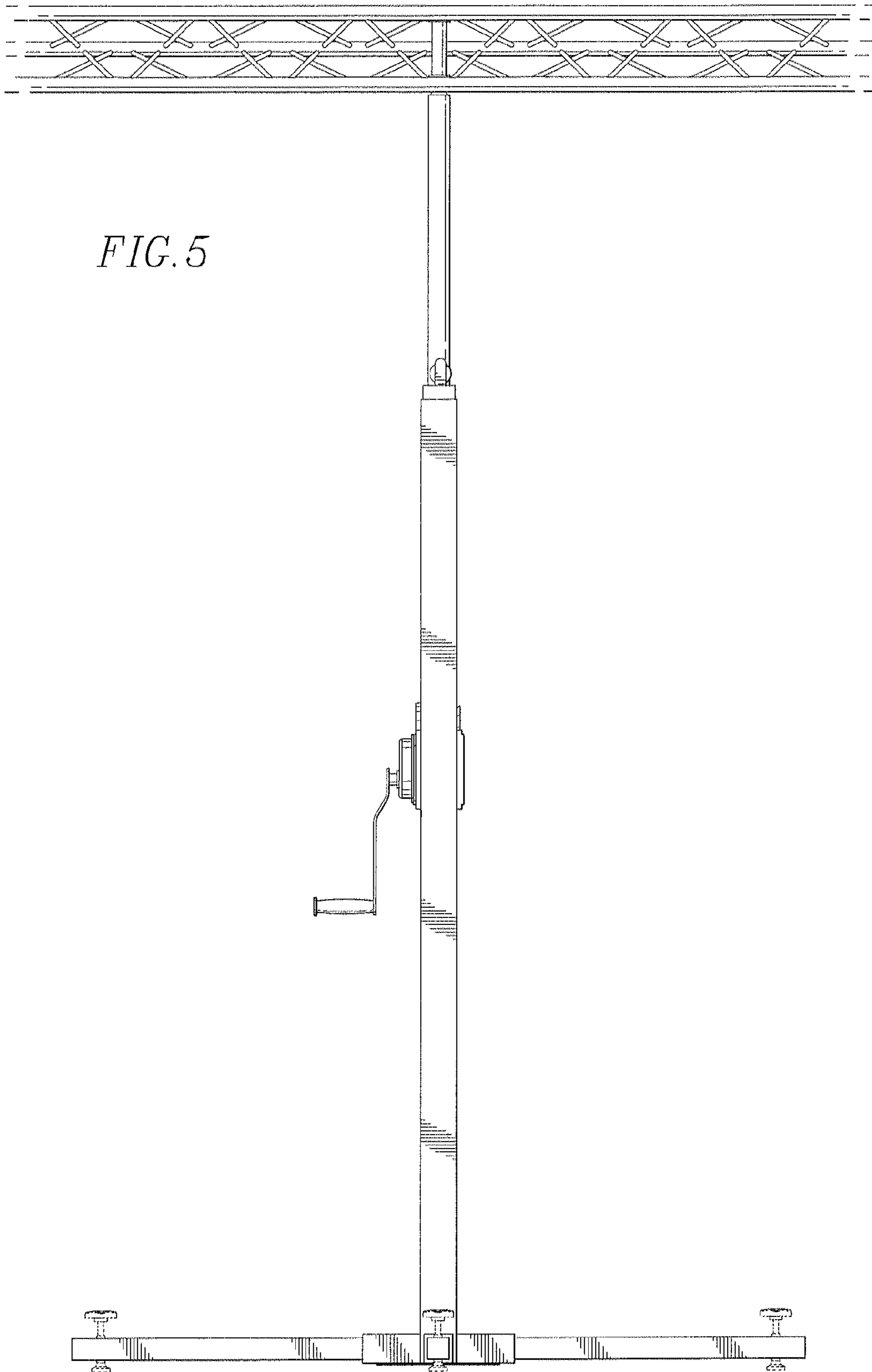


FIG. 5

FIG. 6

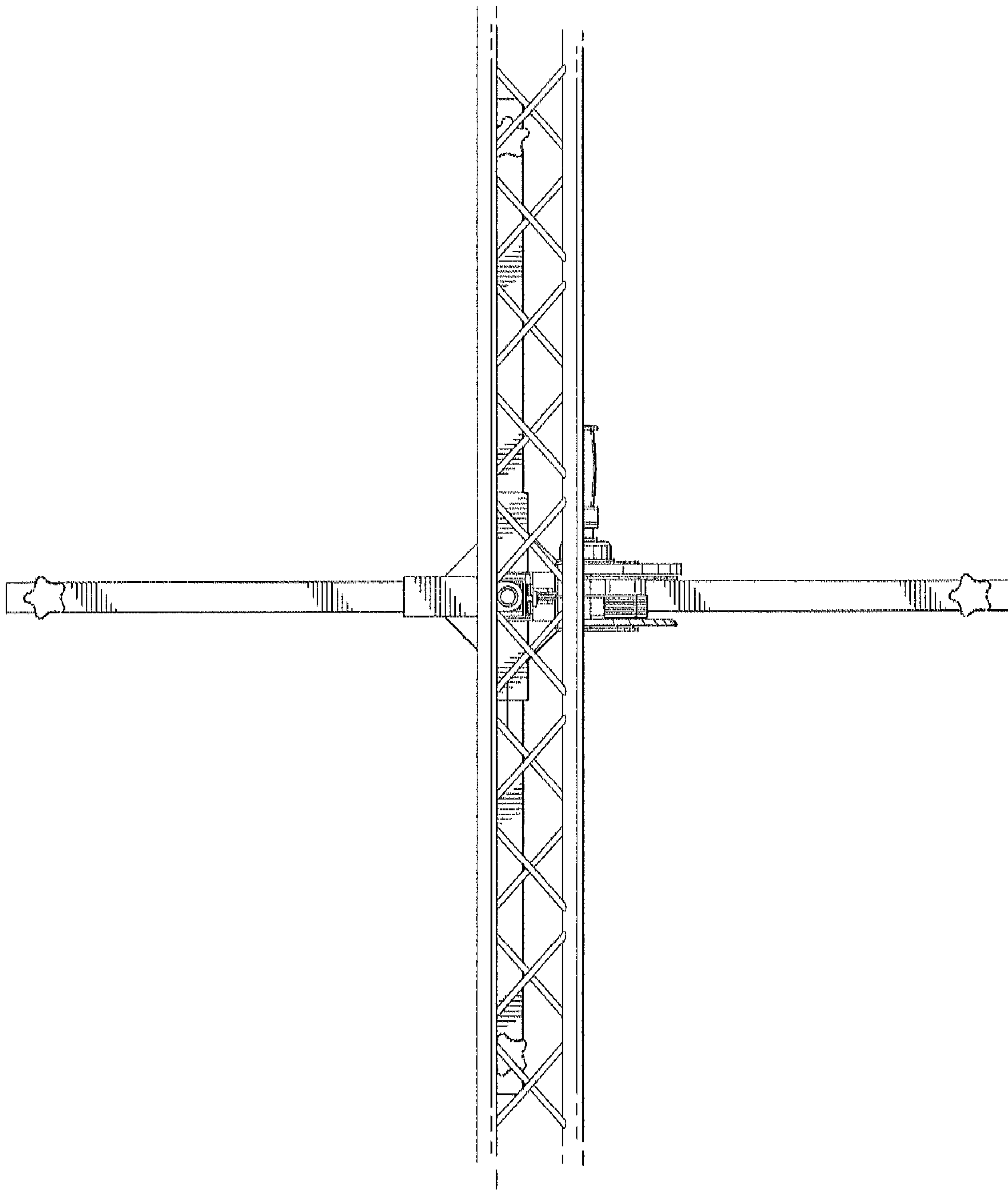


FIG. 7

