



US00D659341S

(12) **United States Design Patent**
Gillis et al.

(10) **Patent No.:** **US D659,341 S**

(45) **Date of Patent:** **** May 8, 2012**

(54) **BELT TENSIONER**

(75) Inventors: **Russel Vincent Gillis**, Schomberg (CA);
Edilbert Delgado Yu, Ajax (CA)

(73) Assignee: **Eurospec Manufacturing Inc.**,
Newmarket (CA)

(**) Term: **14 Years**

(21) Appl. No.: **29/394,707**

(22) Filed: **Jun. 21, 2011**

(51) **LOC (9) Cl.** **12-05**

(52) **U.S. Cl.** **D34/33**

(58) **Field of Classification Search** D34/33,
D34/35; 254/371, 369, 374, 362, 325, 266;
452/187, 189; 414/496, 550, 563, 543, 569

See application file for complete search history.

(56) **References Cited**

U.S. PATENT DOCUMENTS

D209,860 S *	1/1968	Renfroe	D8/394
D314,906 S *	2/1991	Isherwood	D8/360
D315,976 S *	4/1991	Shieh	D34/33
D439,722 S *	3/2001	Huang	D34/33
D473,992 S *	4/2003	Hodge	D34/33
D545,524 S *	6/2007	Eriksson	D34/33
D556,420 S *	11/2007	Trihey et al.	D34/33
D571,973 S *	6/2008	Burns et al.	D34/33
D573,775 S *	7/2008	Burns et al.	D34/33
D586,073 S *	2/2009	Tsao	D34/33
D596,824 S *	7/2009	Mitas	D34/33

* cited by examiner

Primary Examiner — Cynthia Ramirez

(74) *Attorney, Agent, or Firm* — Santosh K. Chari; Blake,
Cassels & Graydon LLP

(57) **CLAIM**

The ornamental design for a belt tensioner, as shown and described.

DESCRIPTION

FIG. 1 is a top rear perspective view of the design, including an arm portion and a hub portion in combination.

FIG. 2 is a bottom front perspective view of the design.

FIG. 3 is a front view of the design.

FIG. 4 is a top view of the design.

FIG. 5 is a bottom view of the design.

FIG. 6 a left side view of the design.

FIG. 7 is a right side view of the design.

FIG. 8 is a top rear perspective view of the arm portion of the design.

FIG. 9 is a bottom front perspective view of the arm portion of the design.

FIG. 10 is a front view of the arm portion of the design.

FIG. 11 is a top view of the arm portion of the design.

FIG. 12 is a bottom view of the arm portion of the design.

FIG. 13 a left side view of the arm portion of the design.

FIG. 14 is a right side view of the arm portion of the design.

FIG. 15 is a top rear perspective view of the hub portion of the design.

FIG. 16 is a bottom front perspective view of the hub portion of the design.

FIG. 17 is a front view of the hub portion of the design.

FIG. 18 is a top view of the hub portion of the design.

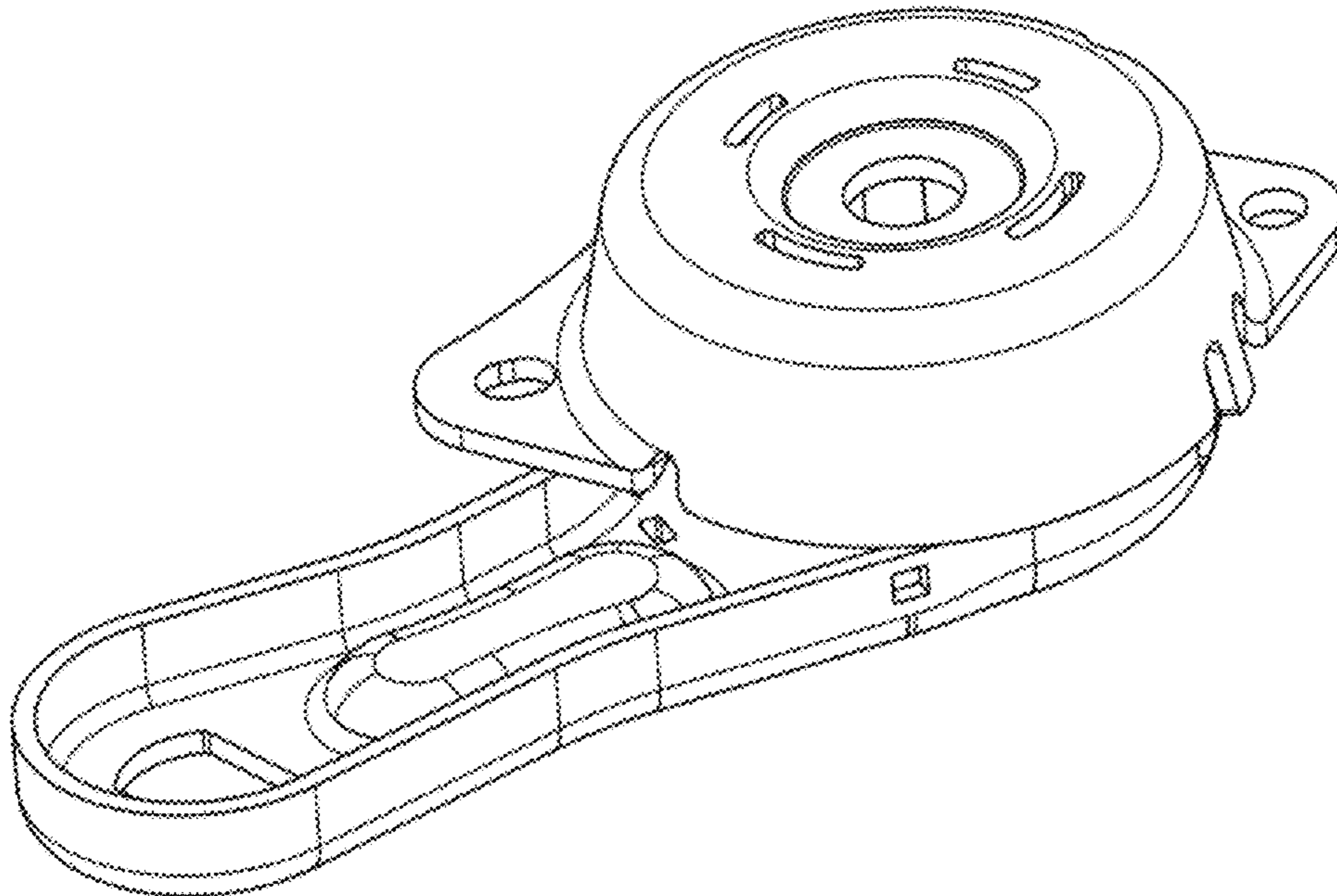
FIG. 19 is a bottom view of the hub portion of the design.

FIG. 20 a left side view of the hub portion of the design; and,

FIG. 21 is a right side view of the hub portion of the design.

The elements of the belt tensioner are shown separately in FIGS. 8 through 21 for convenience of illustration.

1 Claim, 21 Drawing Sheets



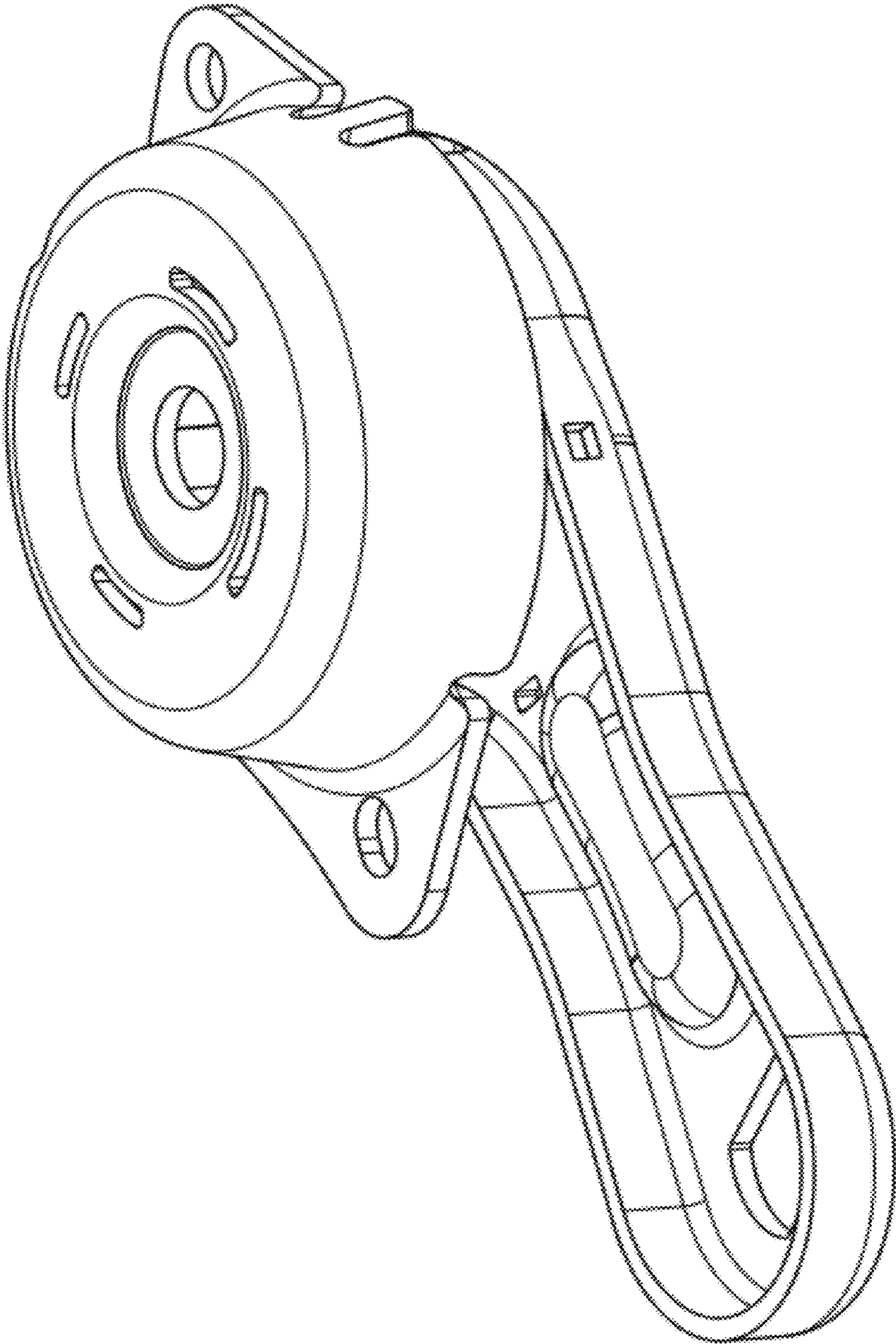


FIG. 1

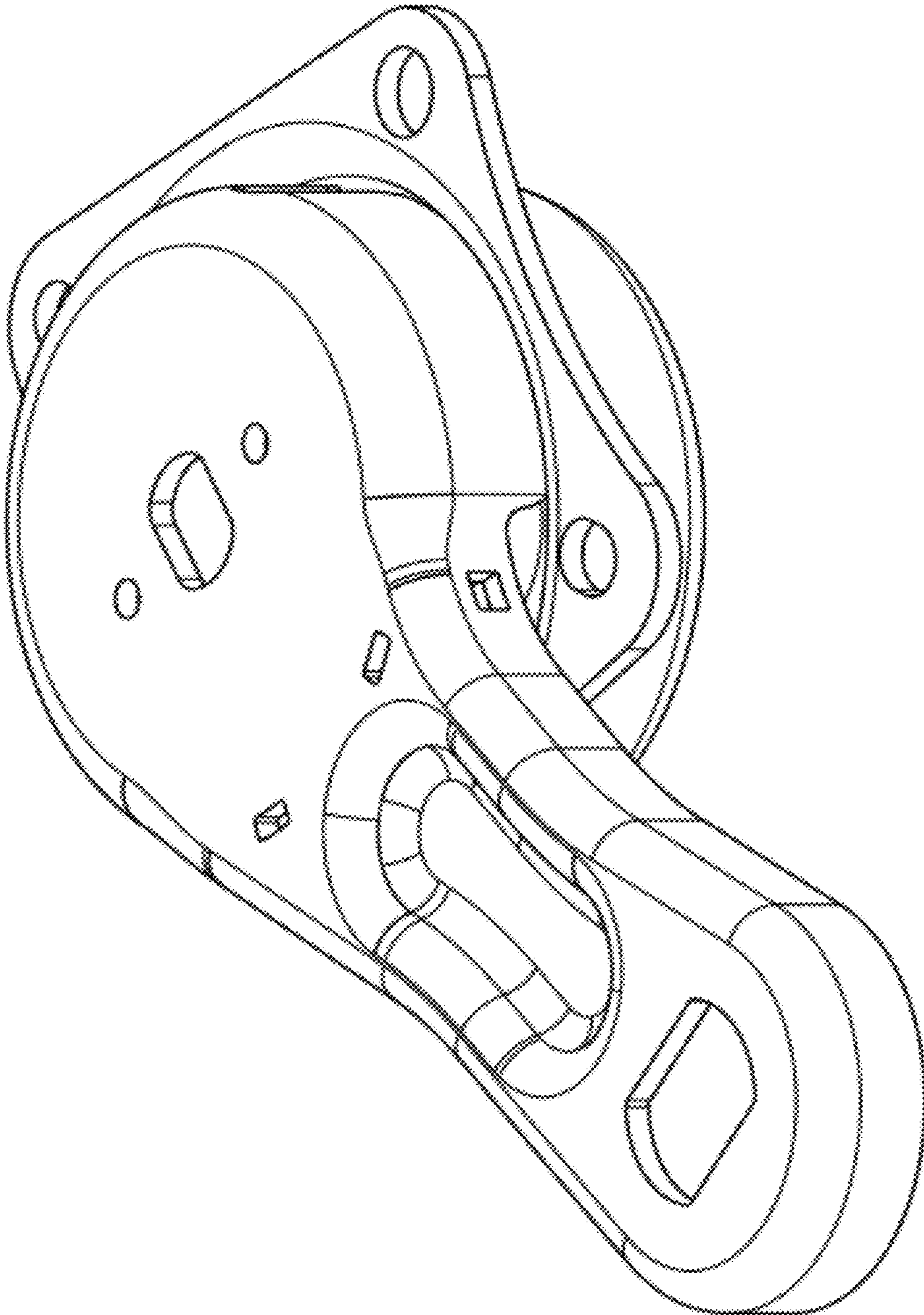


FIG. 2

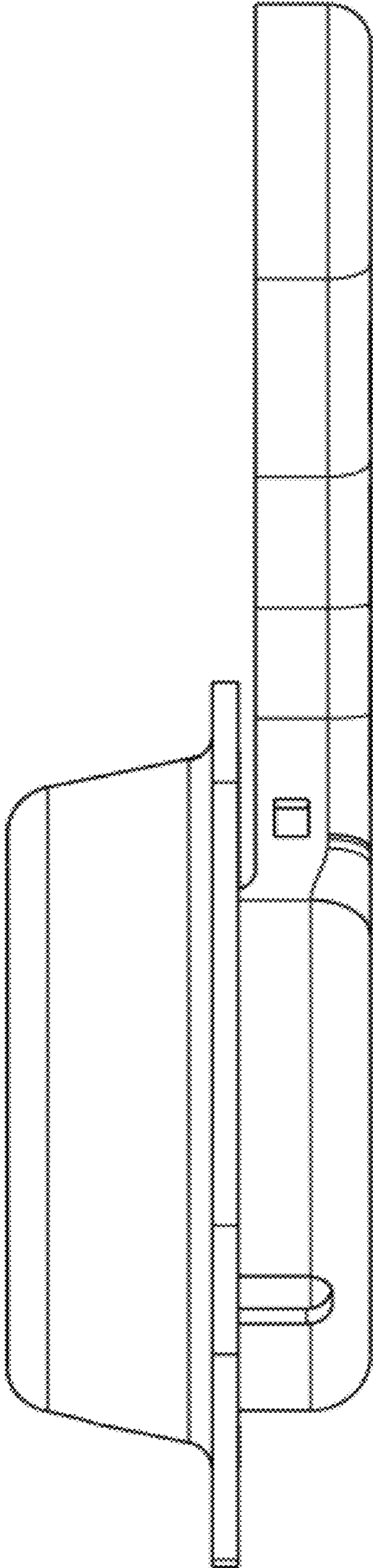


FIG. 3

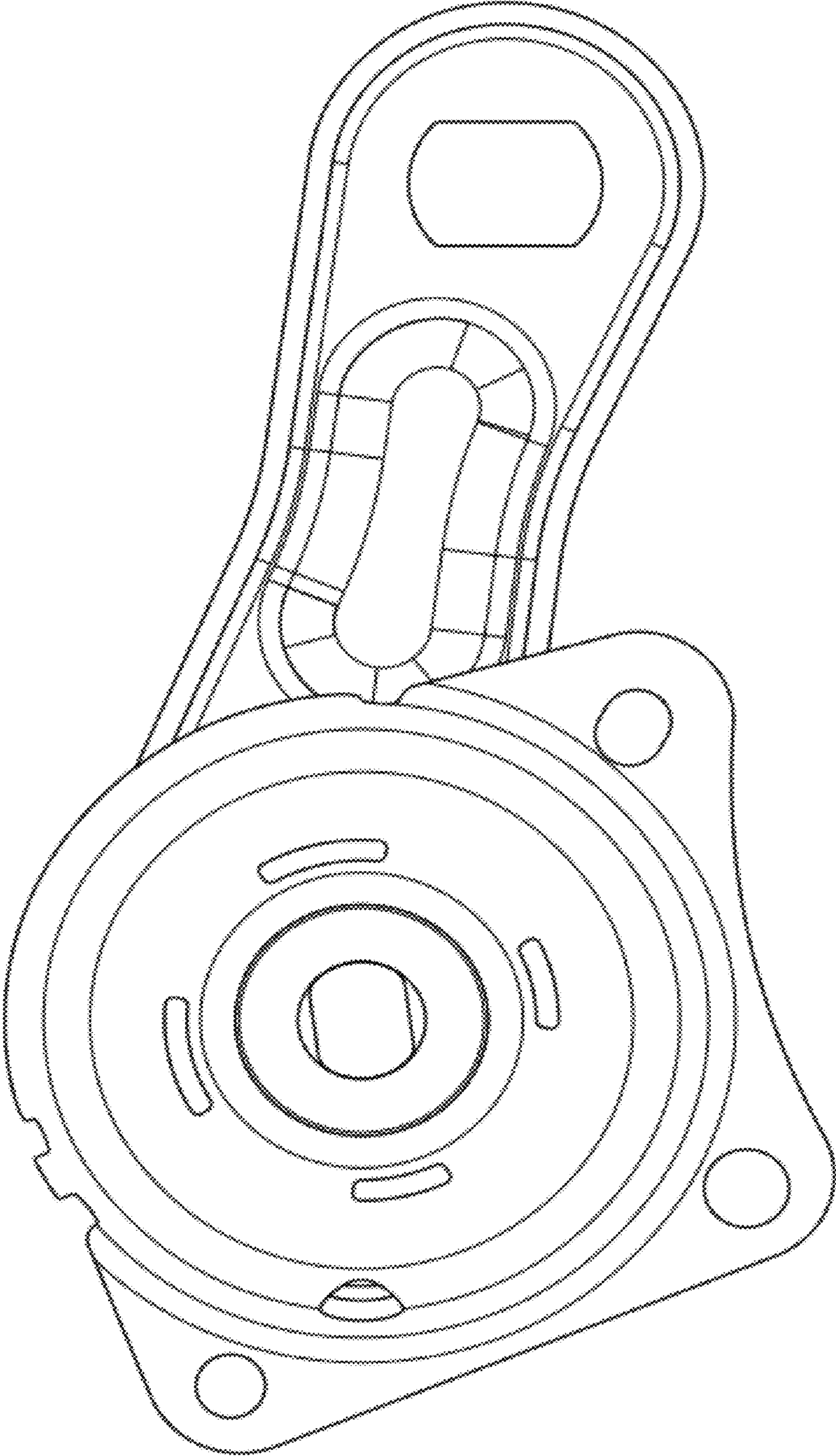


FIG. 4

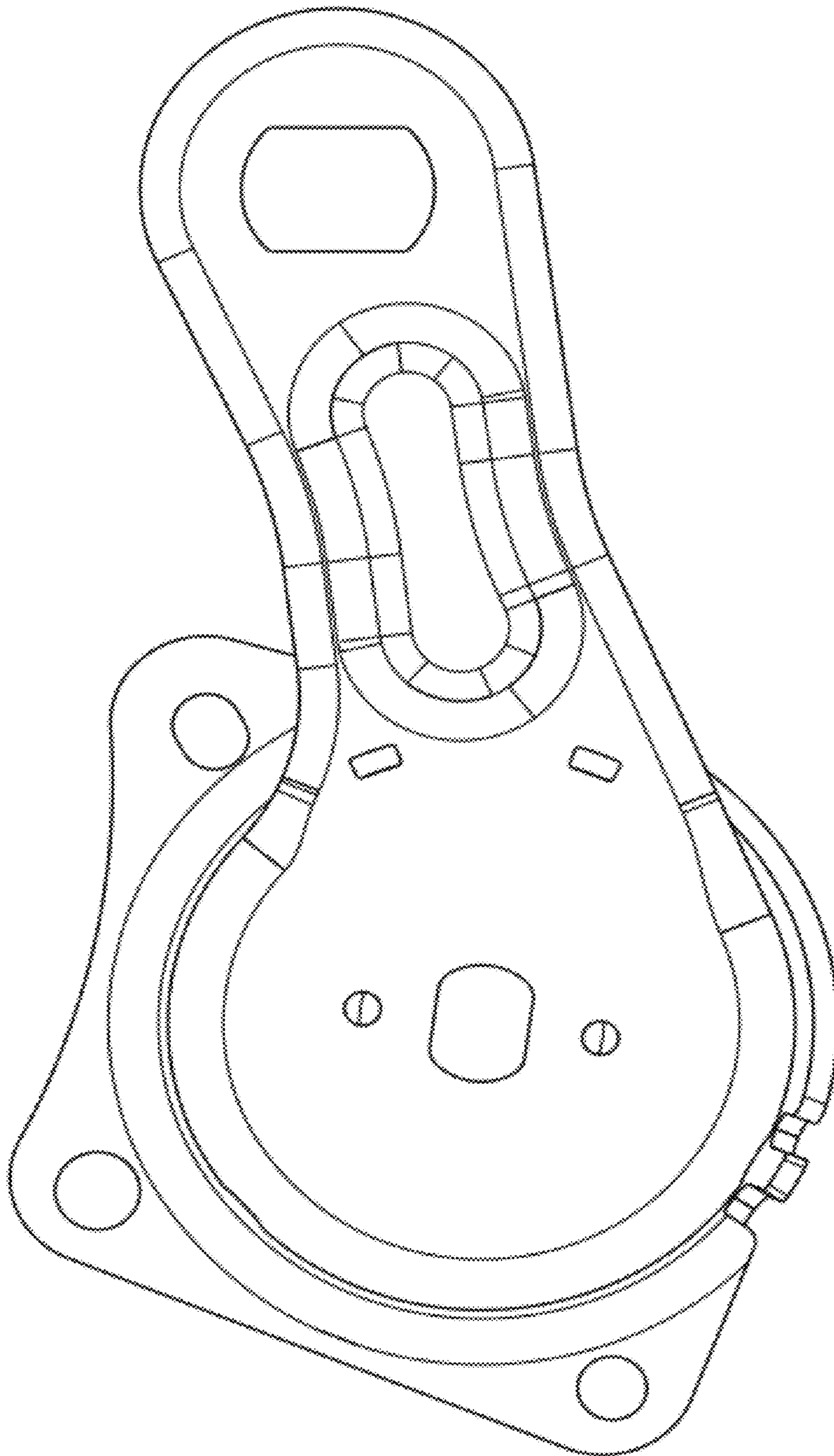


FIG. 5

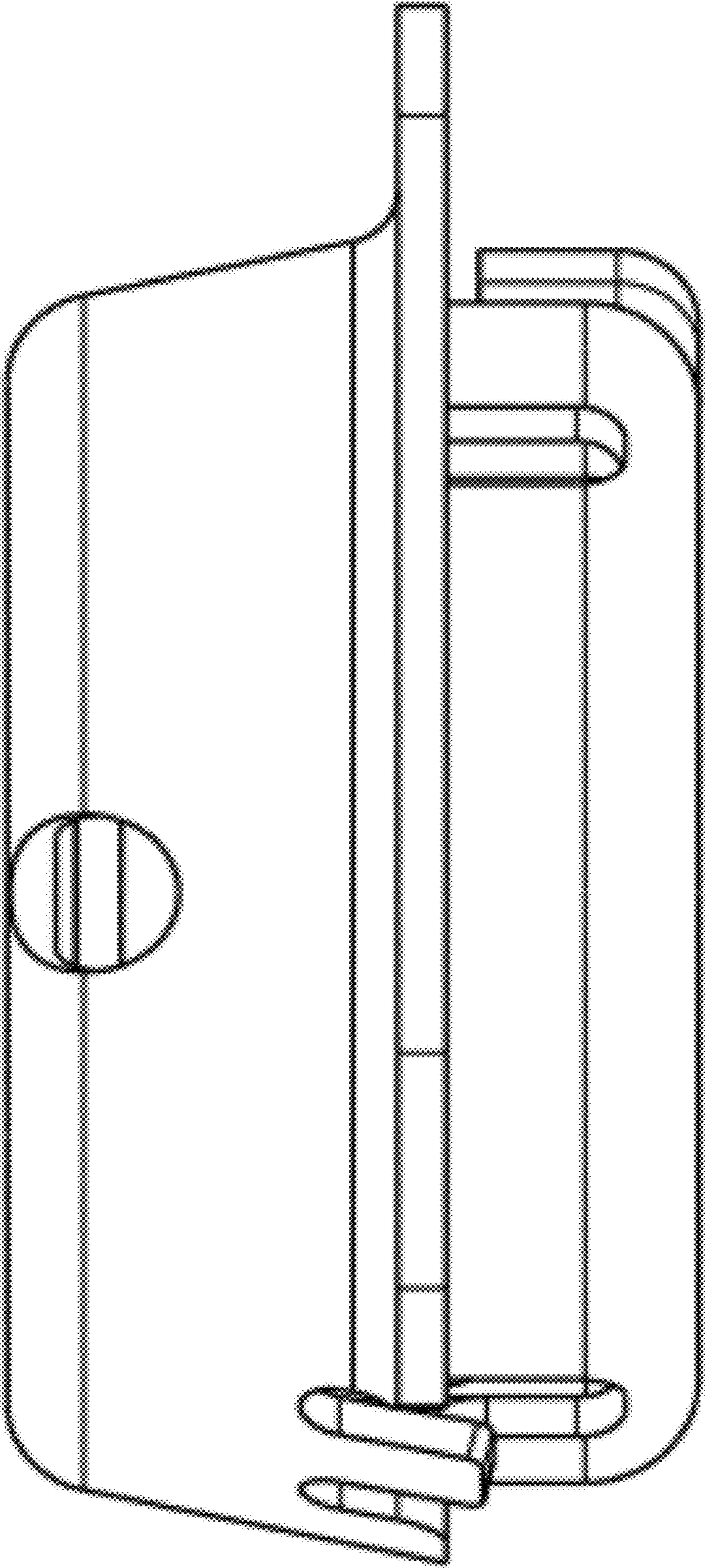


FIG. 6

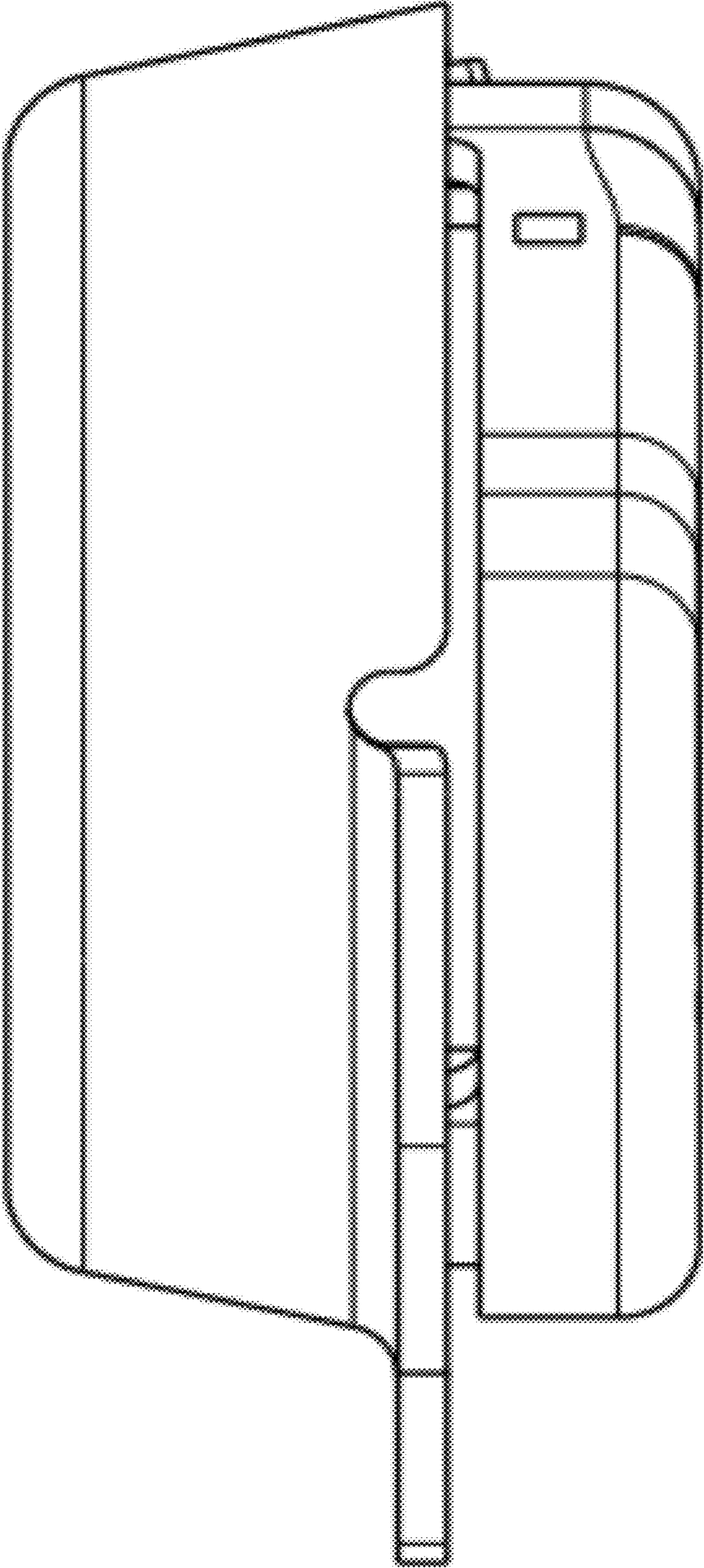


FIG. 7

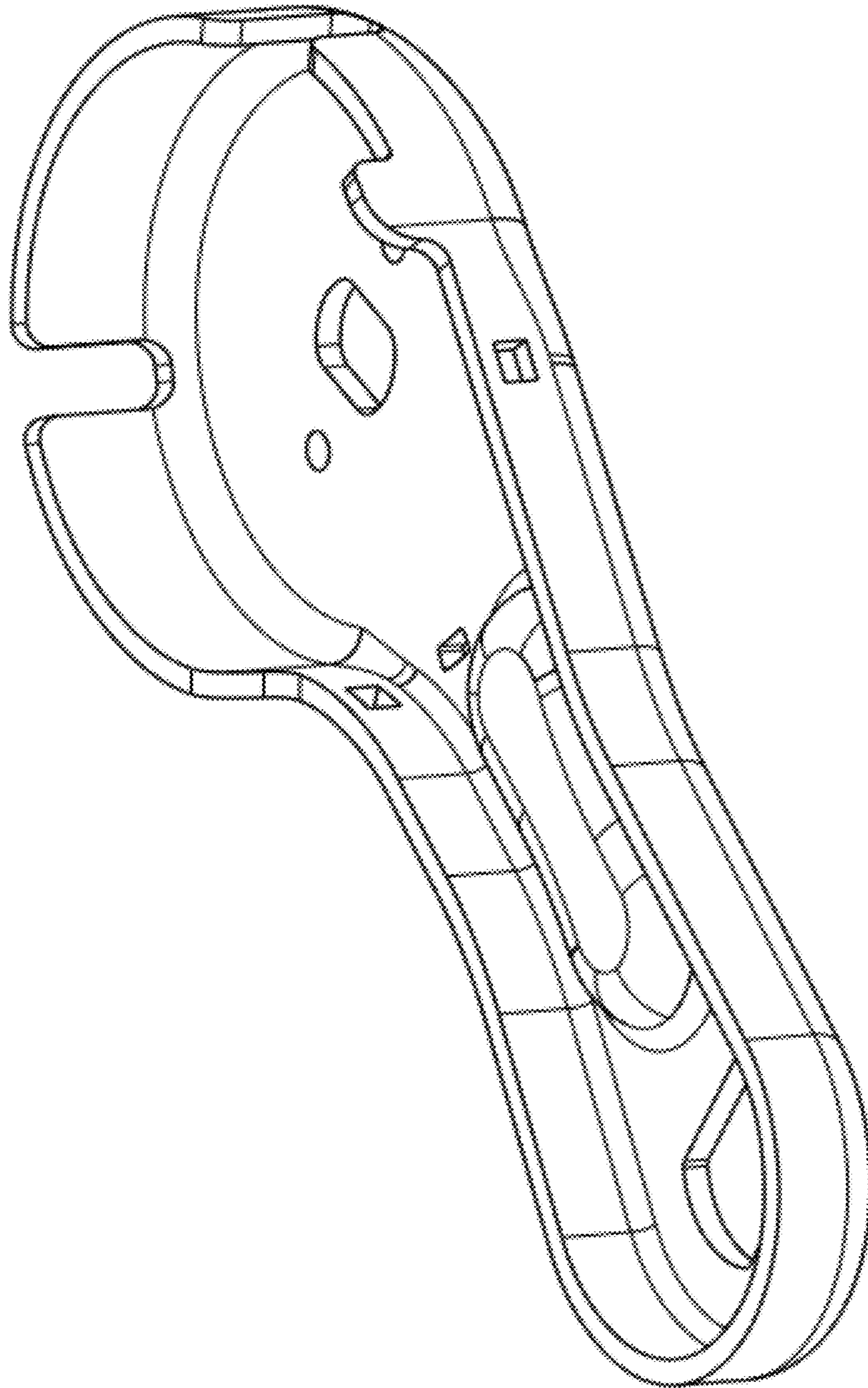


FIG. 8

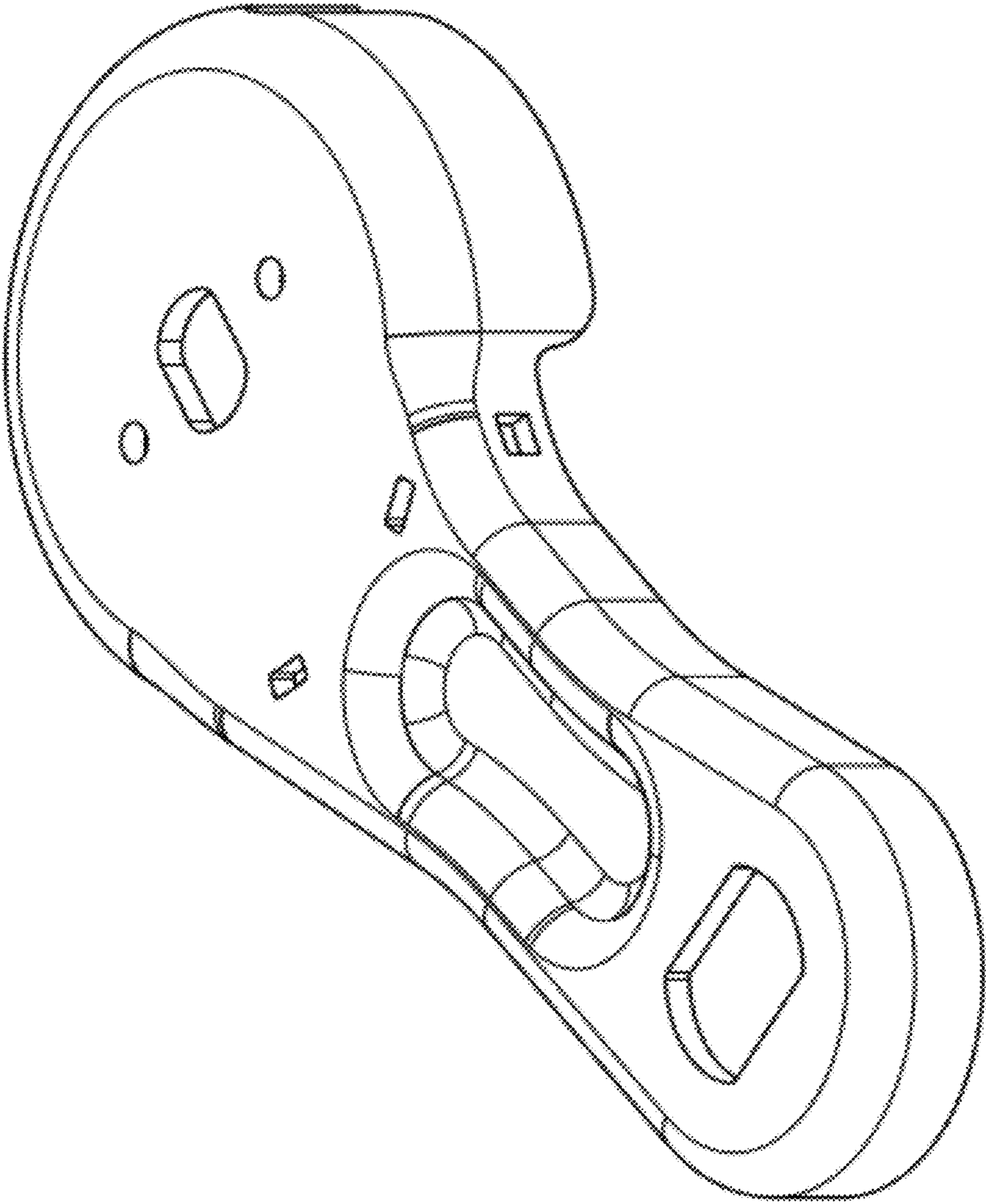


FIG. 9

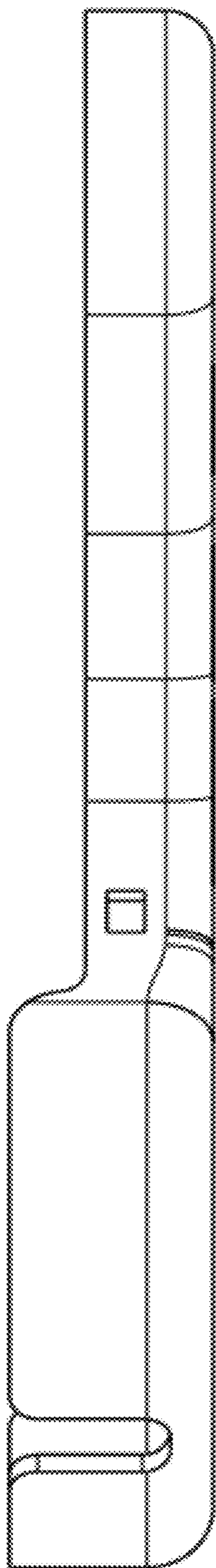


FIG. 10

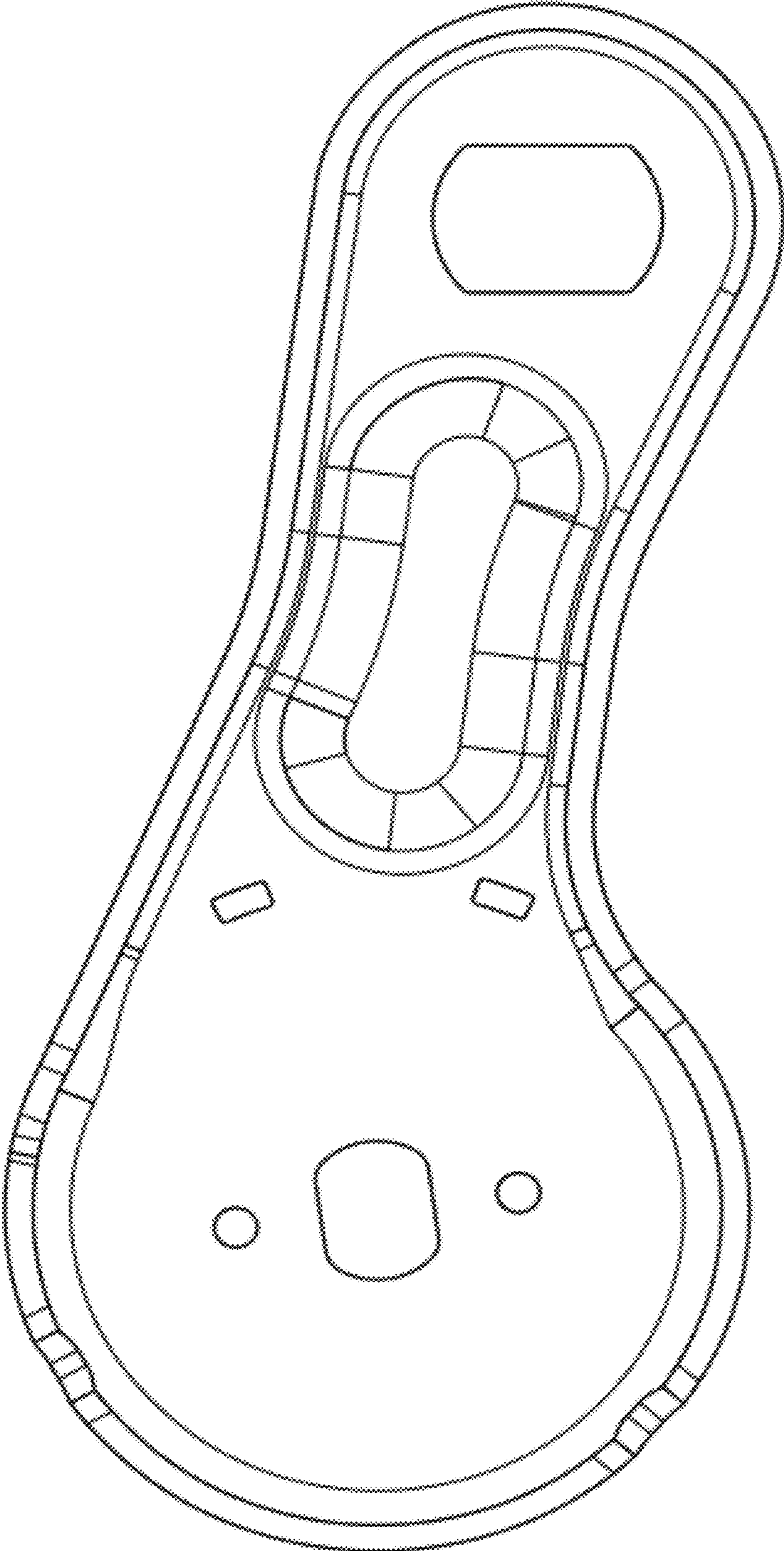


FIG. 11

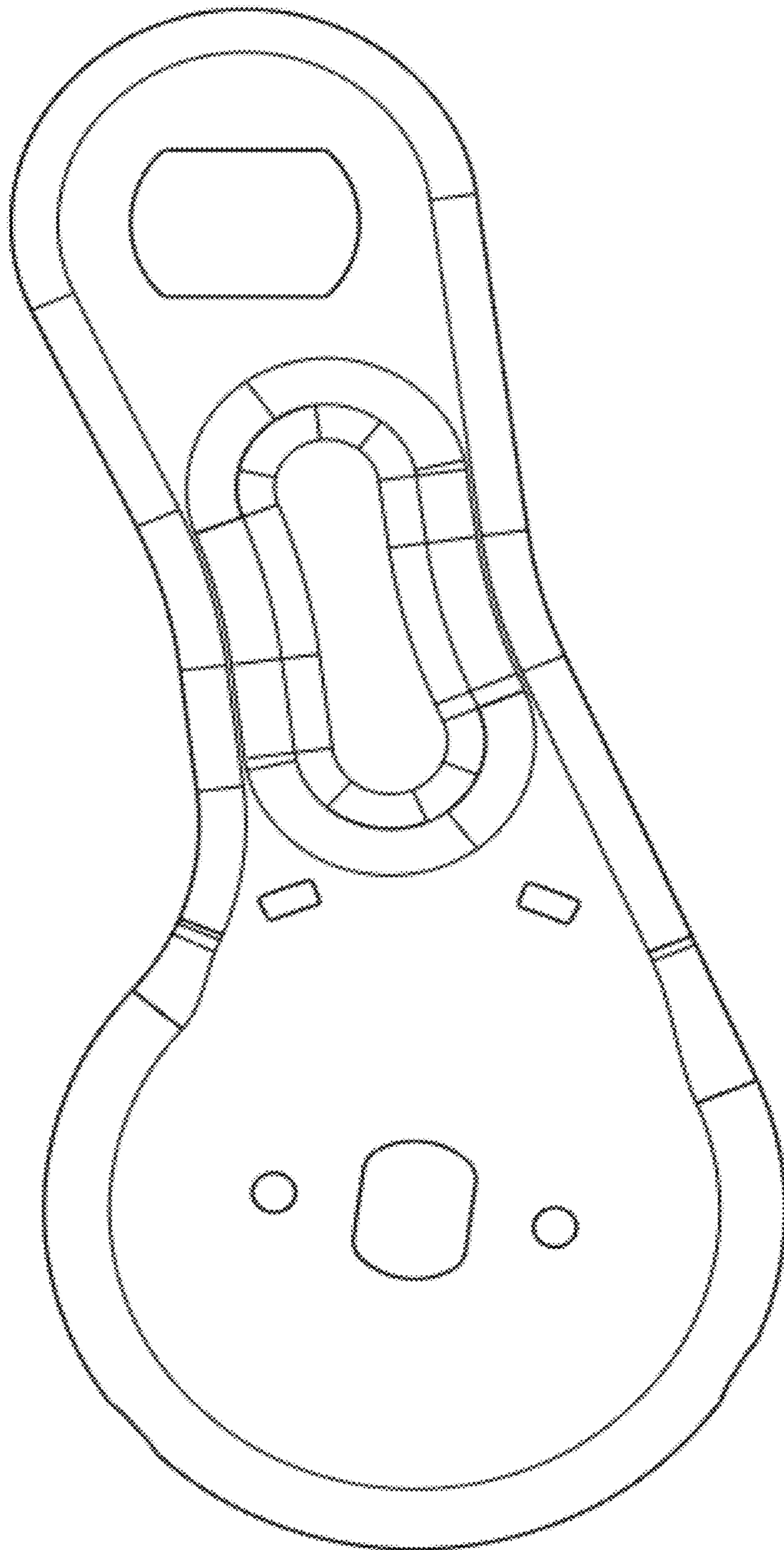


FIG. 12

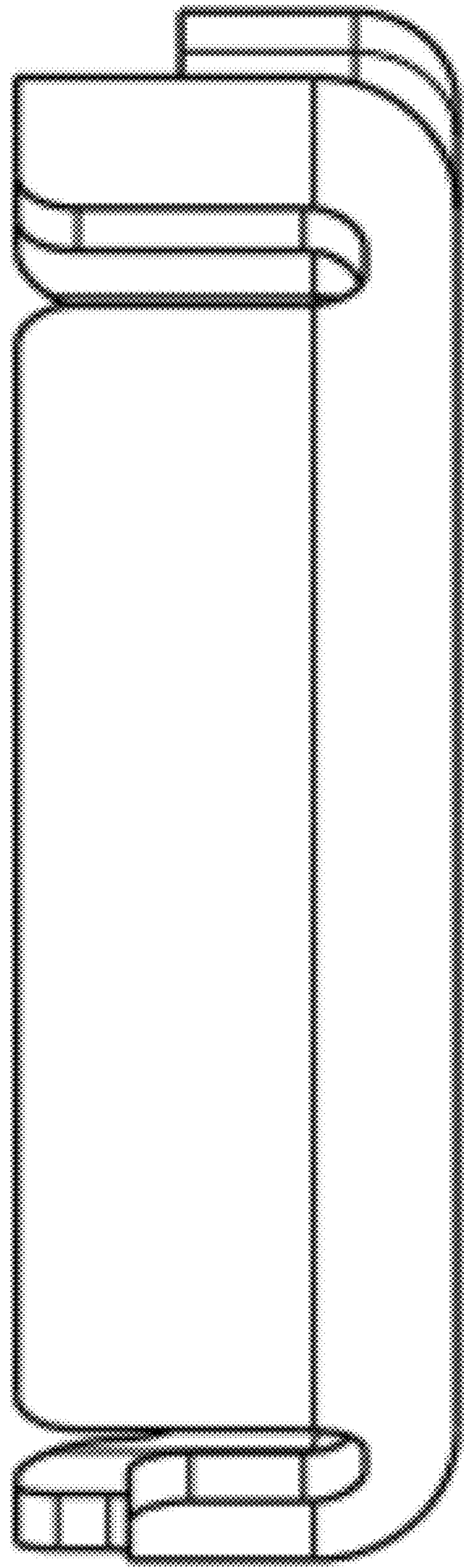


FIG. 13

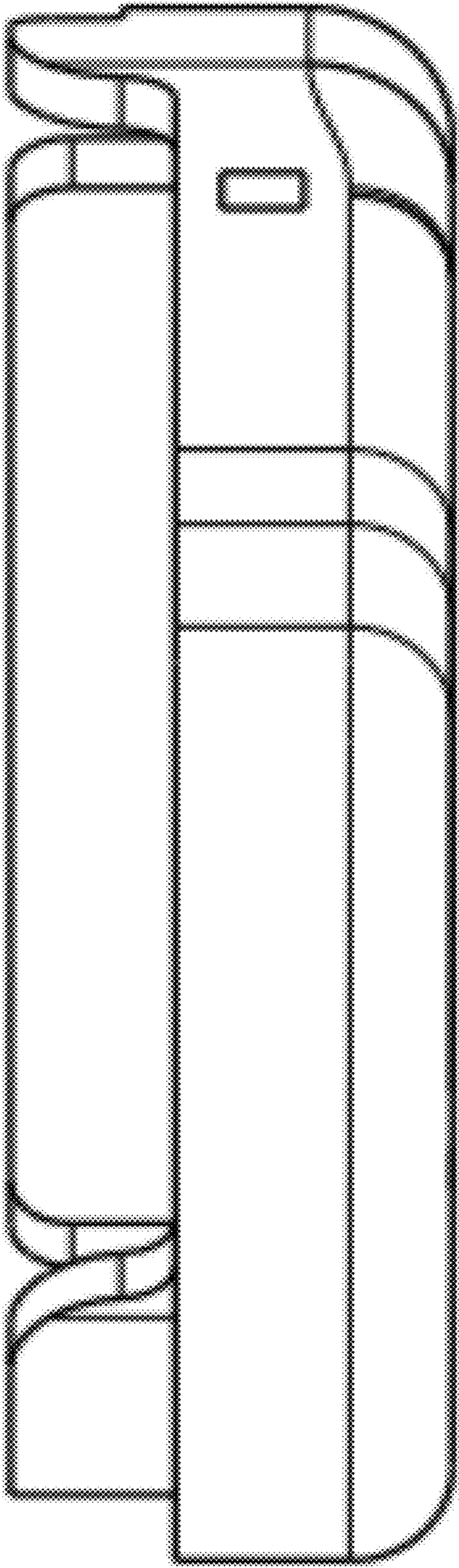


FIG. 14

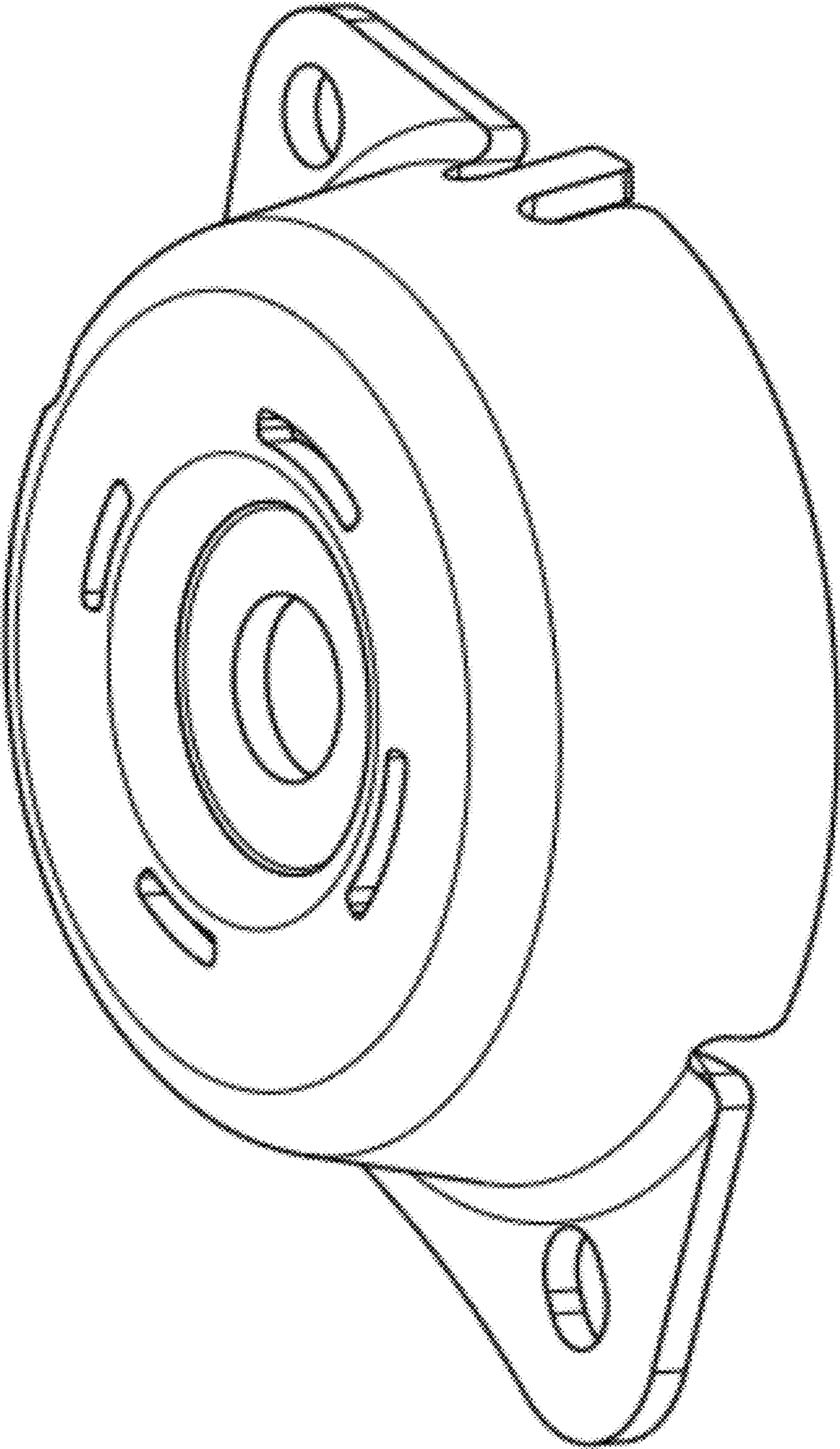


FIG. 15

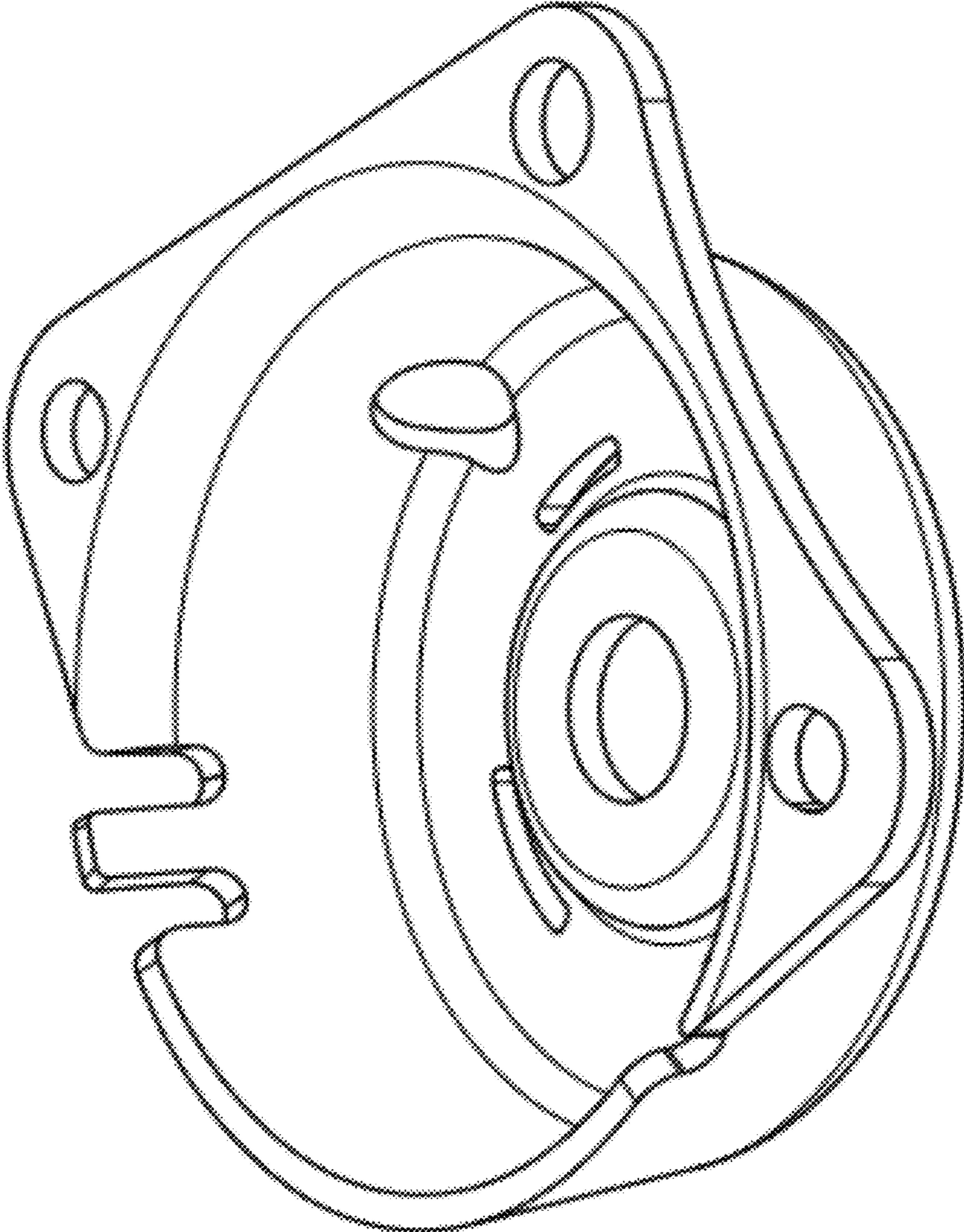


FIG. 16

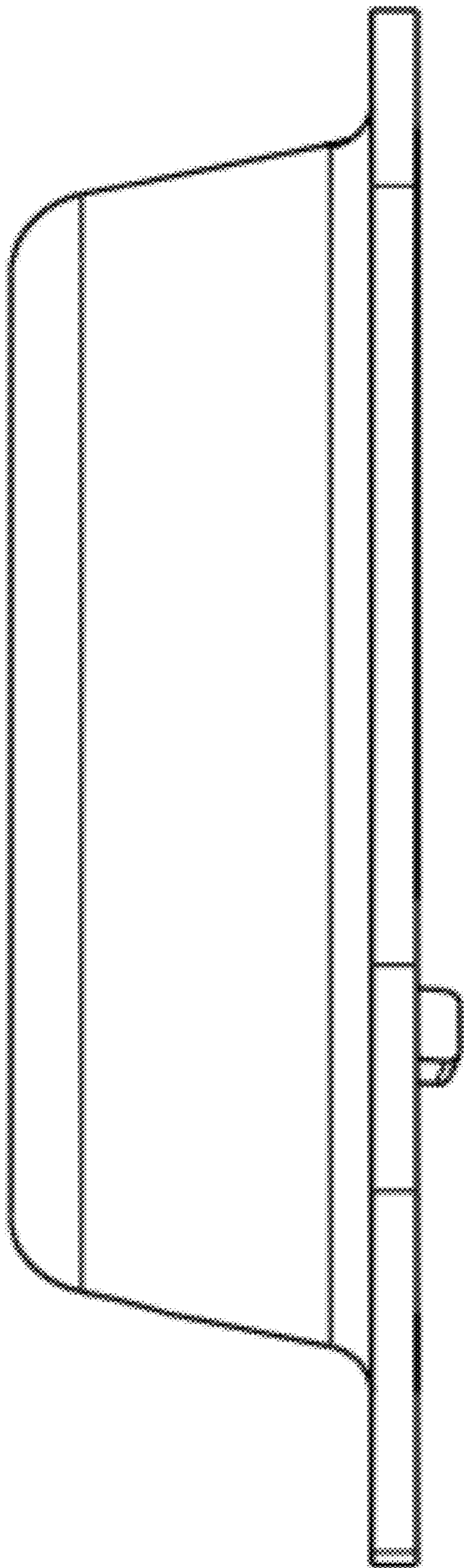


FIG. 17

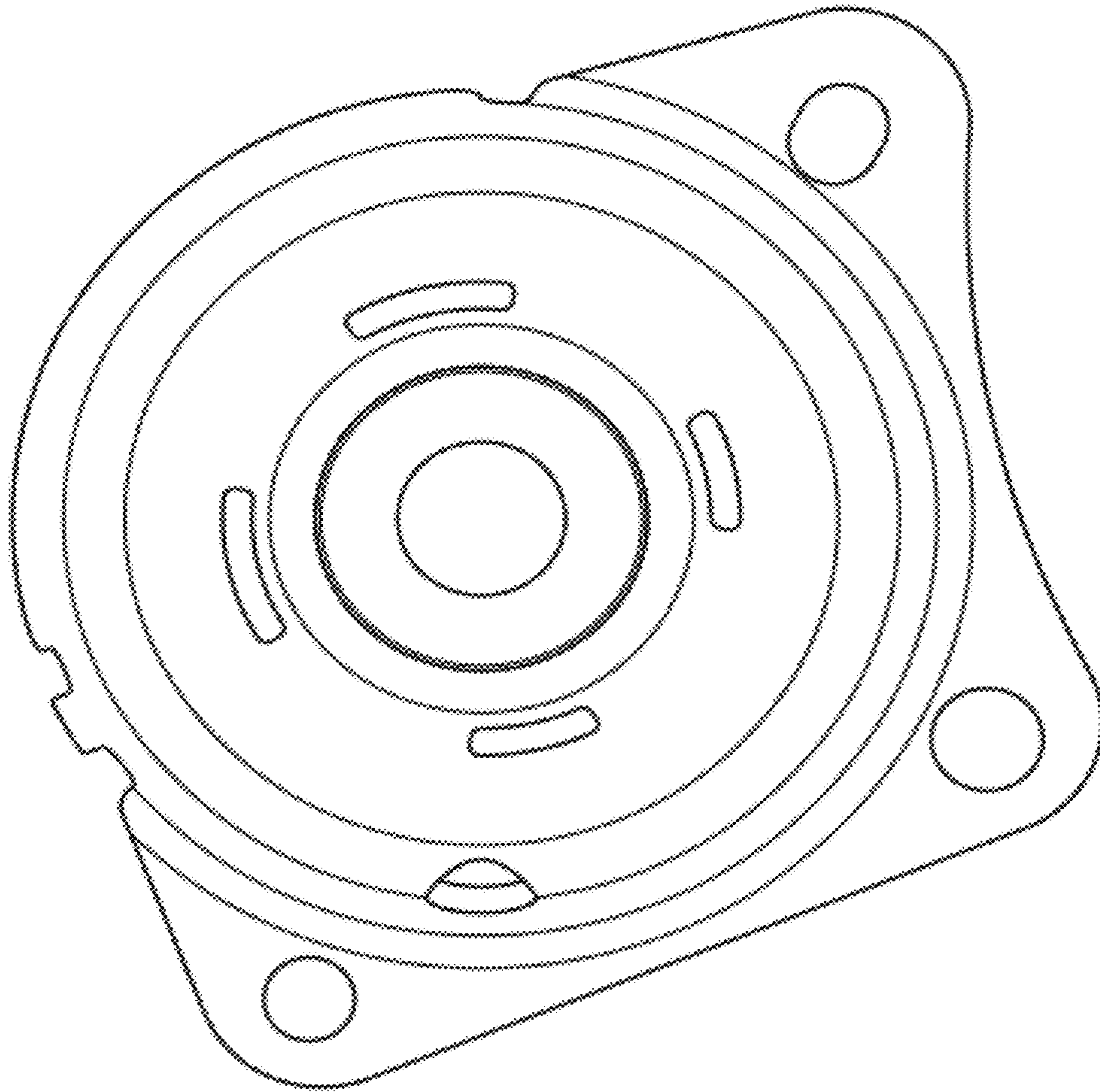


FIG. 18

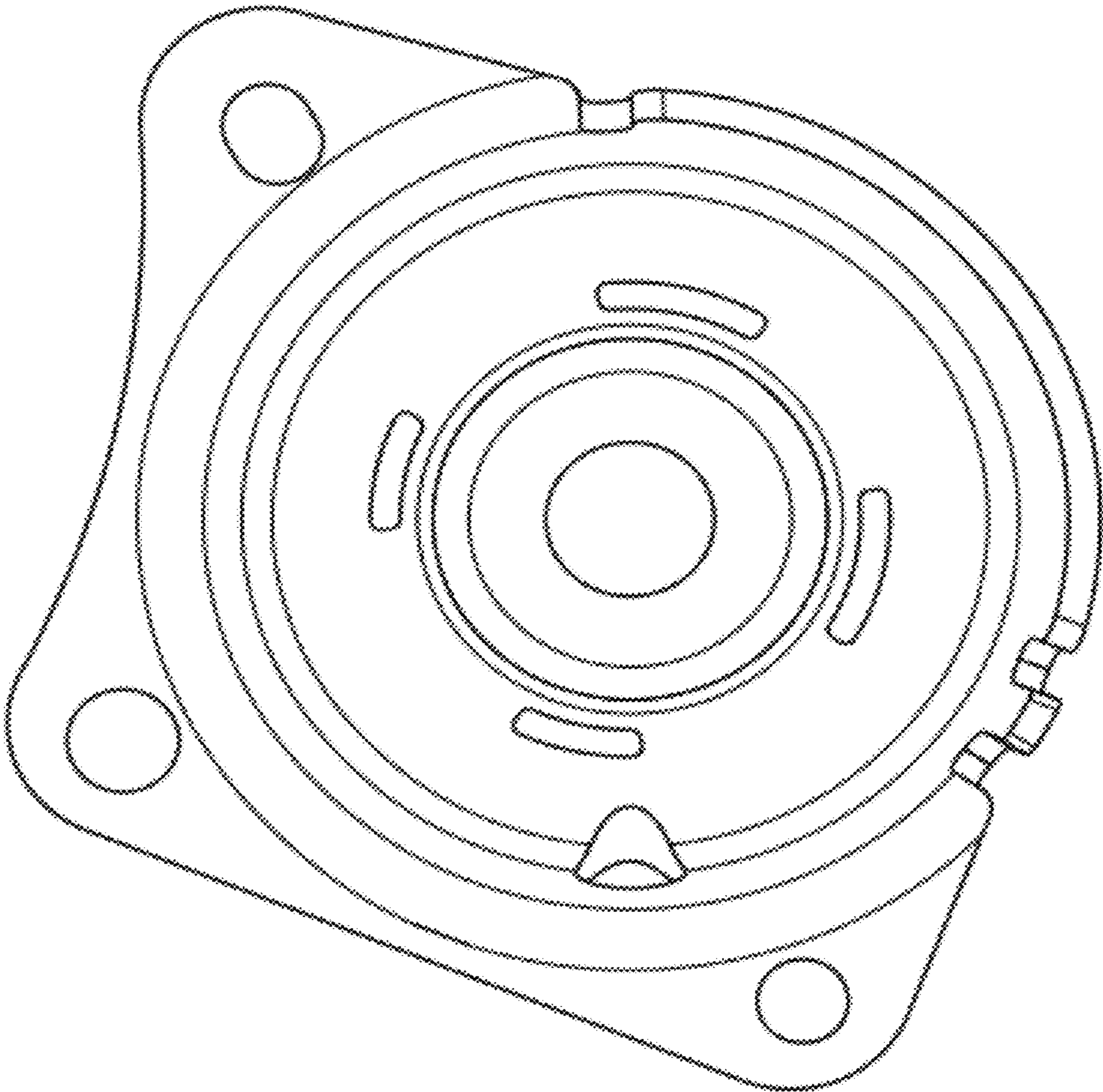


FIG. 19

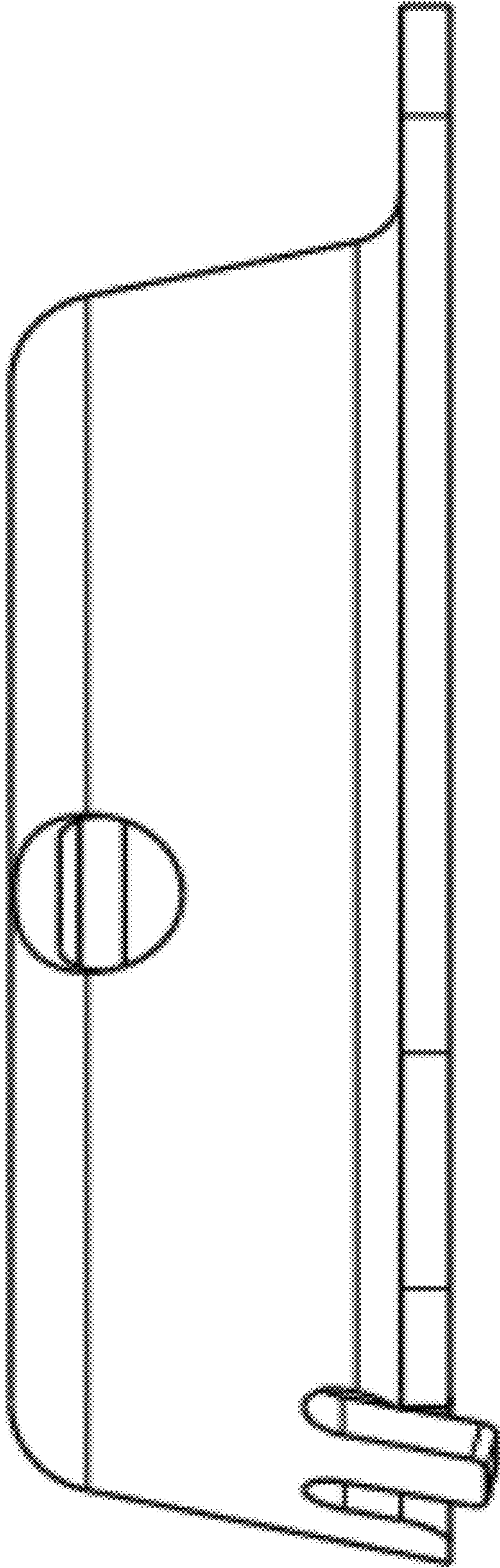


FIG. 20

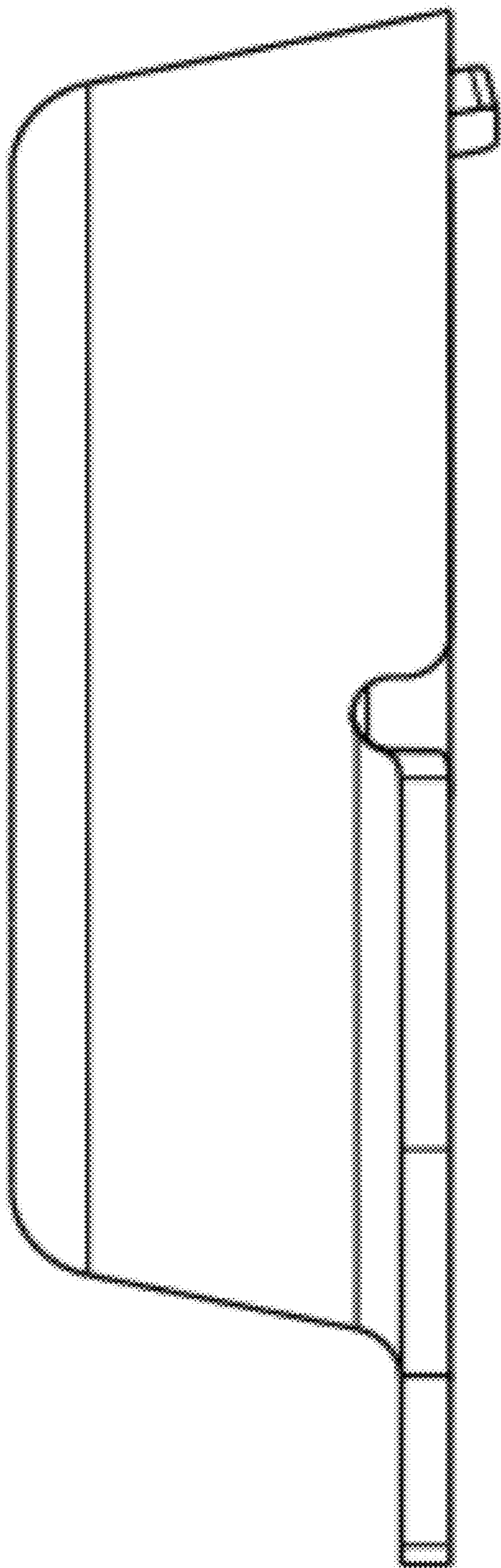


FIG. 21