



US00D659338S

(12) **United States Design Patent**  
**Gardner**

(10) **Patent No.:** **US D659,338 S**

(45) **Date of Patent:** **\*\* May 8, 2012**

(54) **RECYCLING BIN WITH WHEELS**

(75) Inventor: **Scott R. Gardner**, Rockaway Township,  
NJ (US)

(73) Assignee: **Intercycle LLC**, Wayne, NJ (US)

(\*\*) Term: **14 Years**

(21) Appl. No.: **29/365,908**

(22) Filed: **Jul. 16, 2010**

(51) **LOC (9) Cl.** ..... **09-09**

(52) **U.S. Cl.** ..... **D34/5**

(58) **Field of Classification Search** ..... D34/1-11;  
220/908, 908.1, 909, 911

See application file for complete search history.

(56) **References Cited**

U.S. PATENT DOCUMENTS

2,780,402	A *	2/1957	Heiblim et al.	.....	229/117.23
D328,168	S *	7/1992	Bartle	.....	D34/7
D558,947	S	1/2008	Gardner et al.		
D562,520	S	2/2008	Gardner et al.		
D571,970	S	6/2008	Gardner et al.		
D601,321	S *	9/2009	Gardner	.....	D34/7
D602,669	S	10/2009	Gardner et al.		
D628,884	S *	12/2010	Smith	.....	D9/430
D640,028	S *	6/2011	Gardner	.....	D34/7

OTHER PUBLICATIONS

Hexcycle Brochure, 2002.

\* cited by examiner

*Primary Examiner* — Cynthia Ramirez

(74) *Attorney, Agent, or Firm* — Richard M. Goldberg

(57) **CLAIM**

The ornamental design for a recycling bin with wheels, as shown and described.

**DESCRIPTION**

FIG. 1 is an isometric view of the recycling bin with wheels of my design, viewed from the top and side, with the flap in a closed configuration;

FIG. 2 is a front elevational view thereof;

FIG. 3 is a rear elevational view thereof;

FIG. 4 is a left side elevational view thereof;

FIG. 5 is a right side elevational view thereof;

FIG. 6 is a top plan view thereof;

FIG. 7 is a bottom plan view thereof;

FIG. 8 is an isometric view thereof, viewed from the top and side, with the flap in an open configuration;

FIG. 9 is a front elevational view thereof with the flap in an open configuration;

FIG. 10 is a rear elevational view thereof with the flap in an open configuration;

FIG. 11 is a left side elevational view thereof with the flap in an open configuration;

FIG. 12 is a right side elevational view thereof with the flap in an open configuration;

FIG. 13 is a top plan view thereof with the flap in an open configuration;

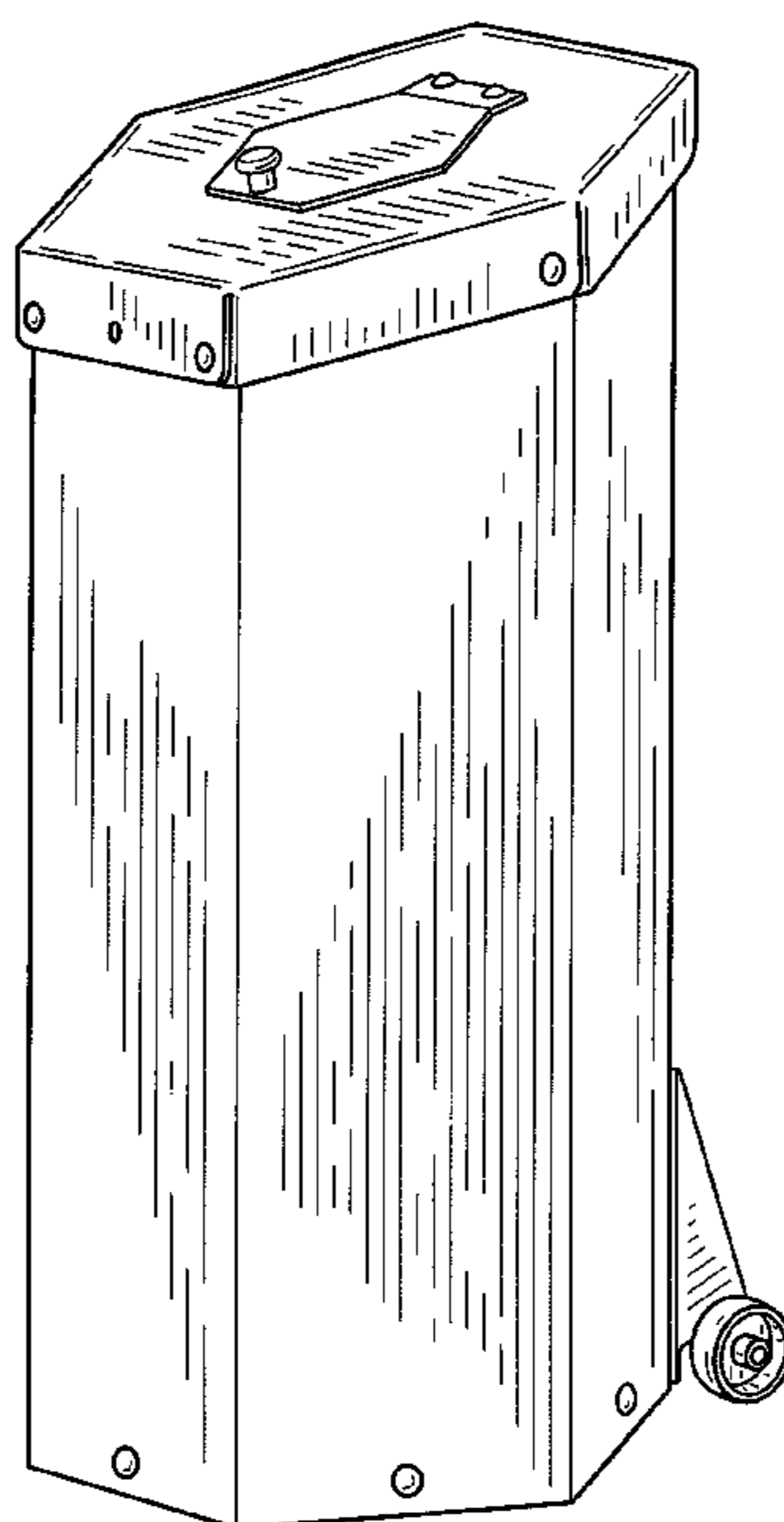
FIG. 14 is a bottom plan view thereof with the flap in an open configuration;

FIG. 15 is an isometric view of the recycling bin with wheels of a second embodiment of my design, viewed from the top and side, with a different flap and upper opening being the only changes, and with the flap in an open configuration;

FIG. 16 is a top plan view of the second embodiment; and,

FIG. 17 is an isometric view of the recycling bin with wheels of a third embodiment of my design, viewed from the top and side, with a further different flap and upper opening being the only changes, and with the flap in an open configuration.

**1 Claim, 15 Drawing Sheets**



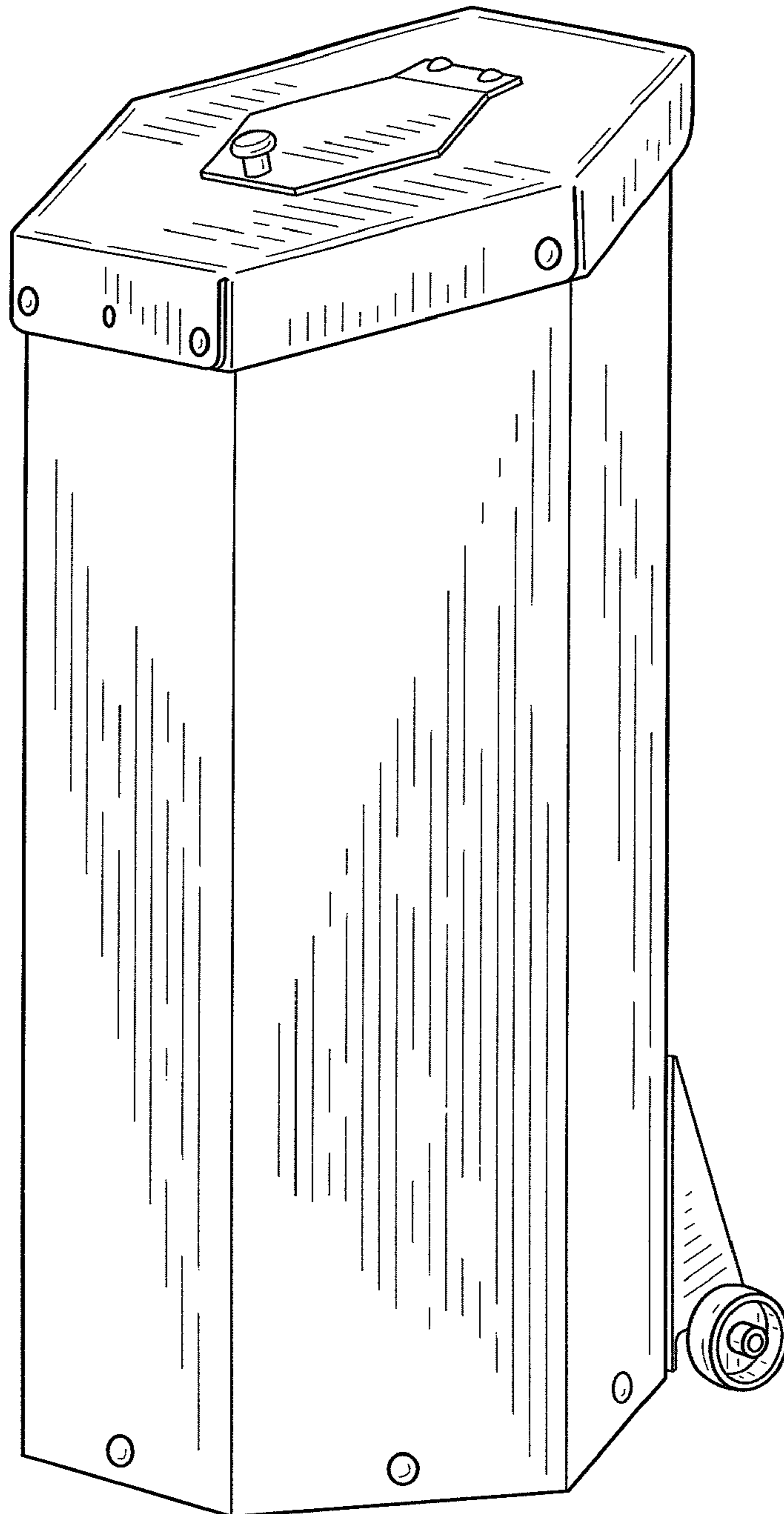


FIG. 1

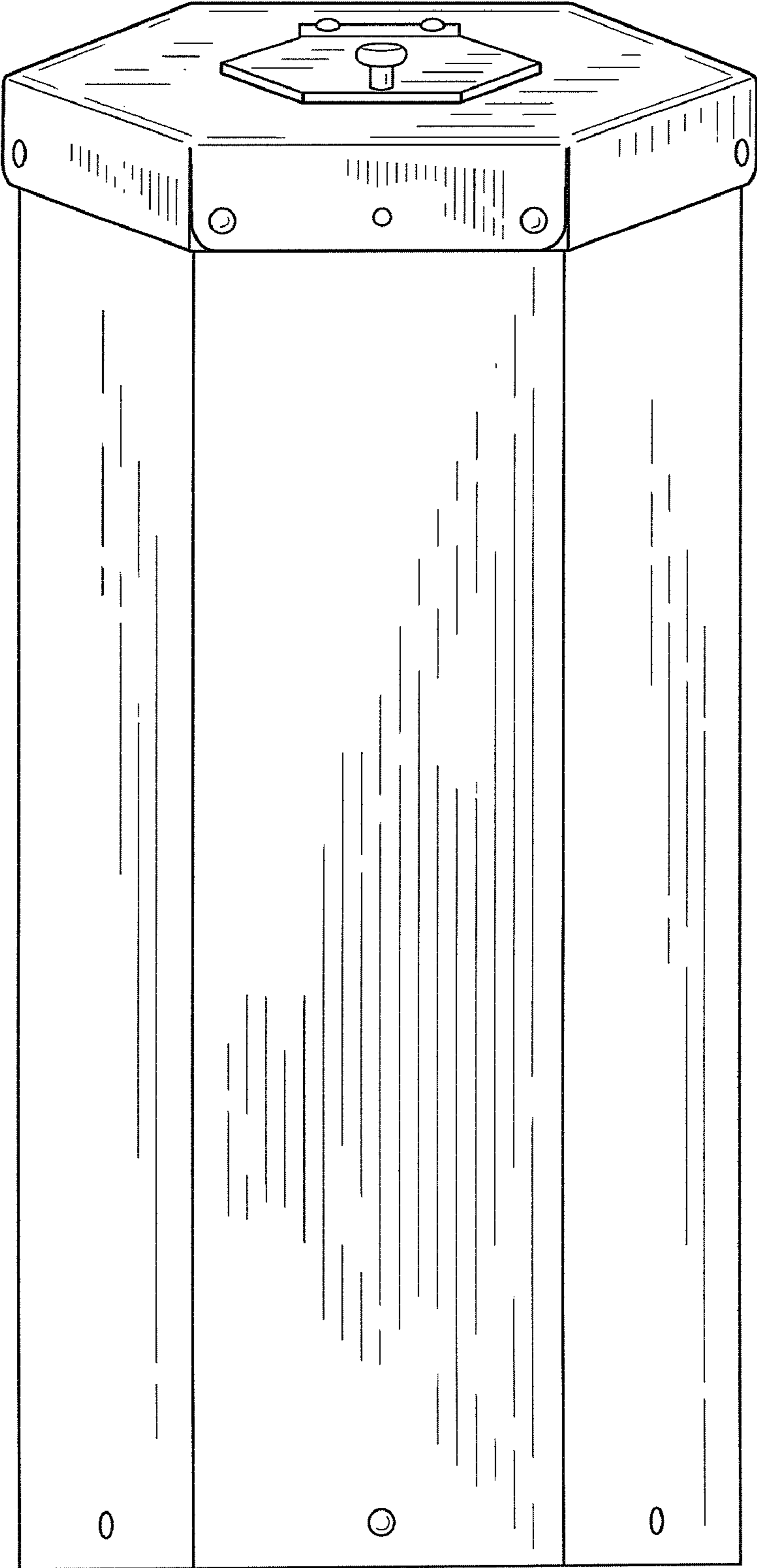


FIG. 2

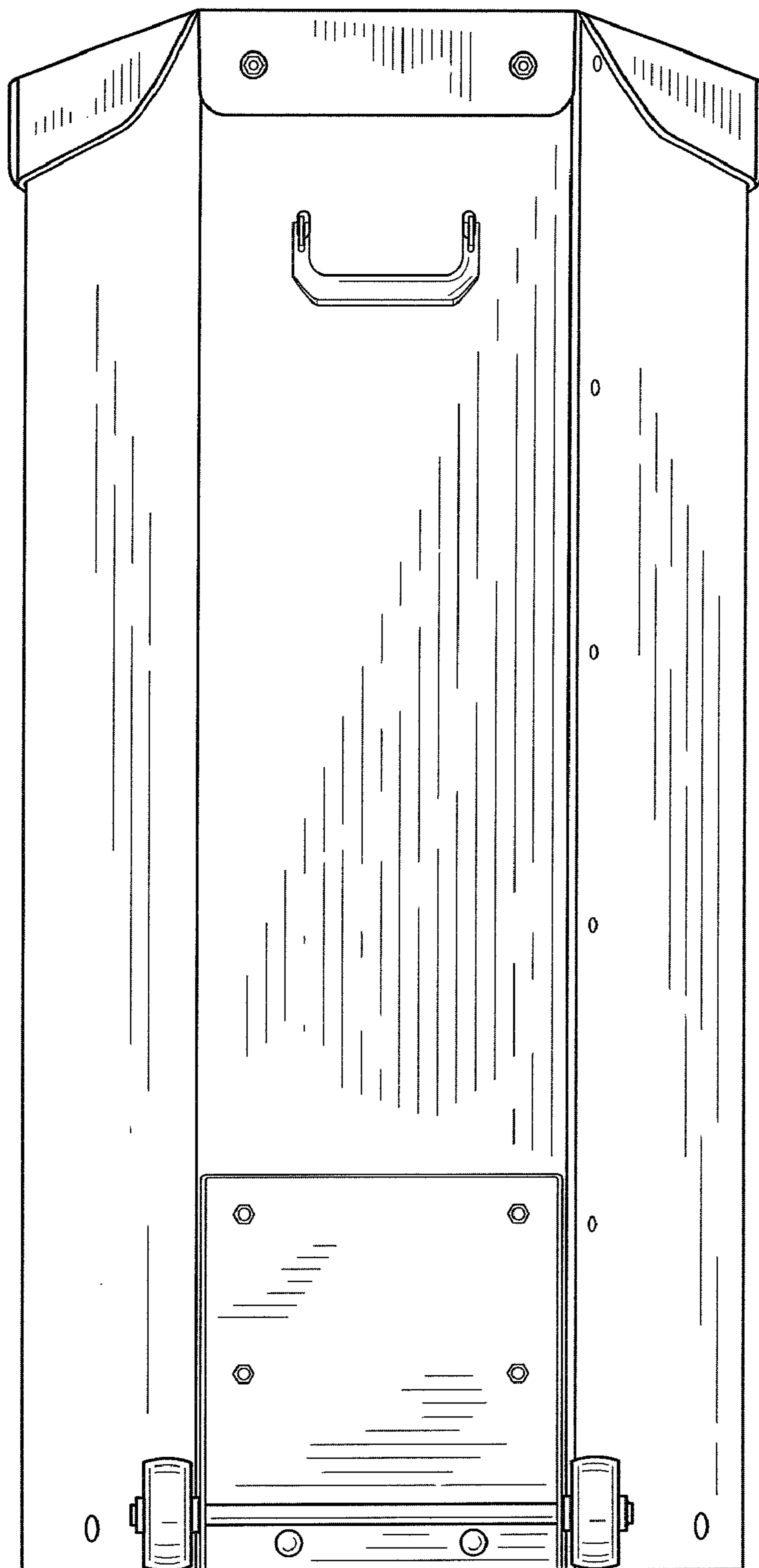


FIG. 3

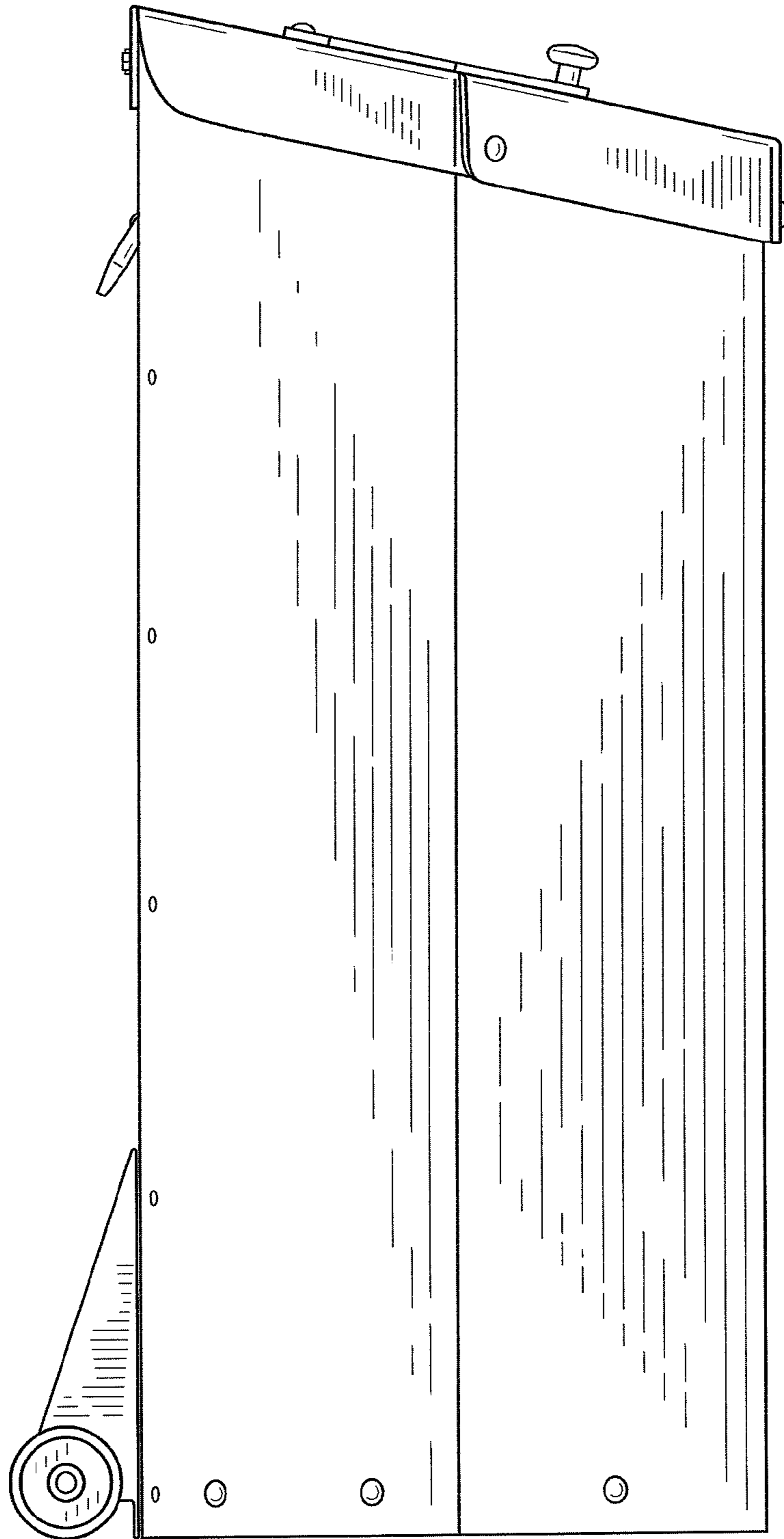


FIG. 4

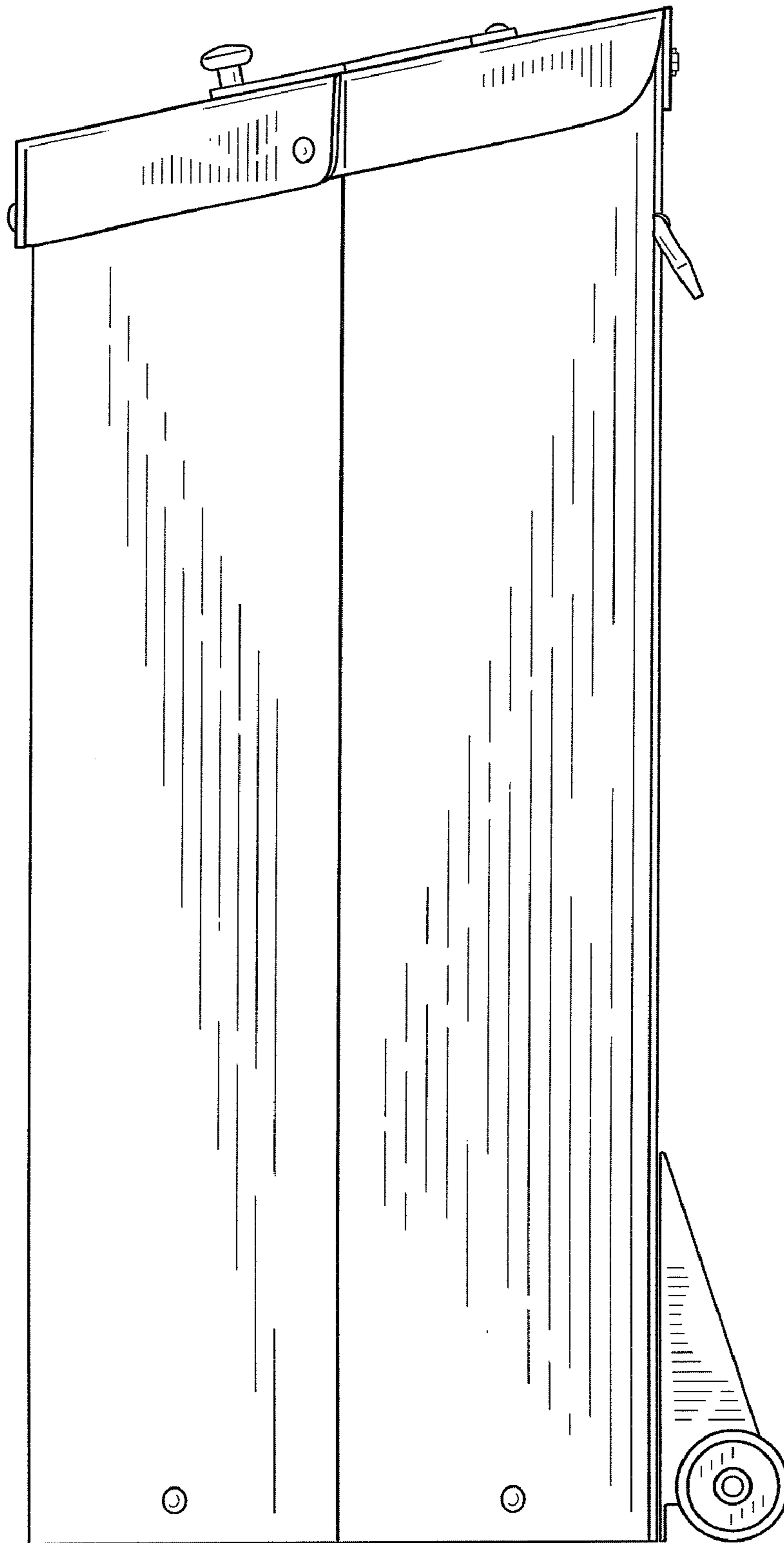


FIG. 5

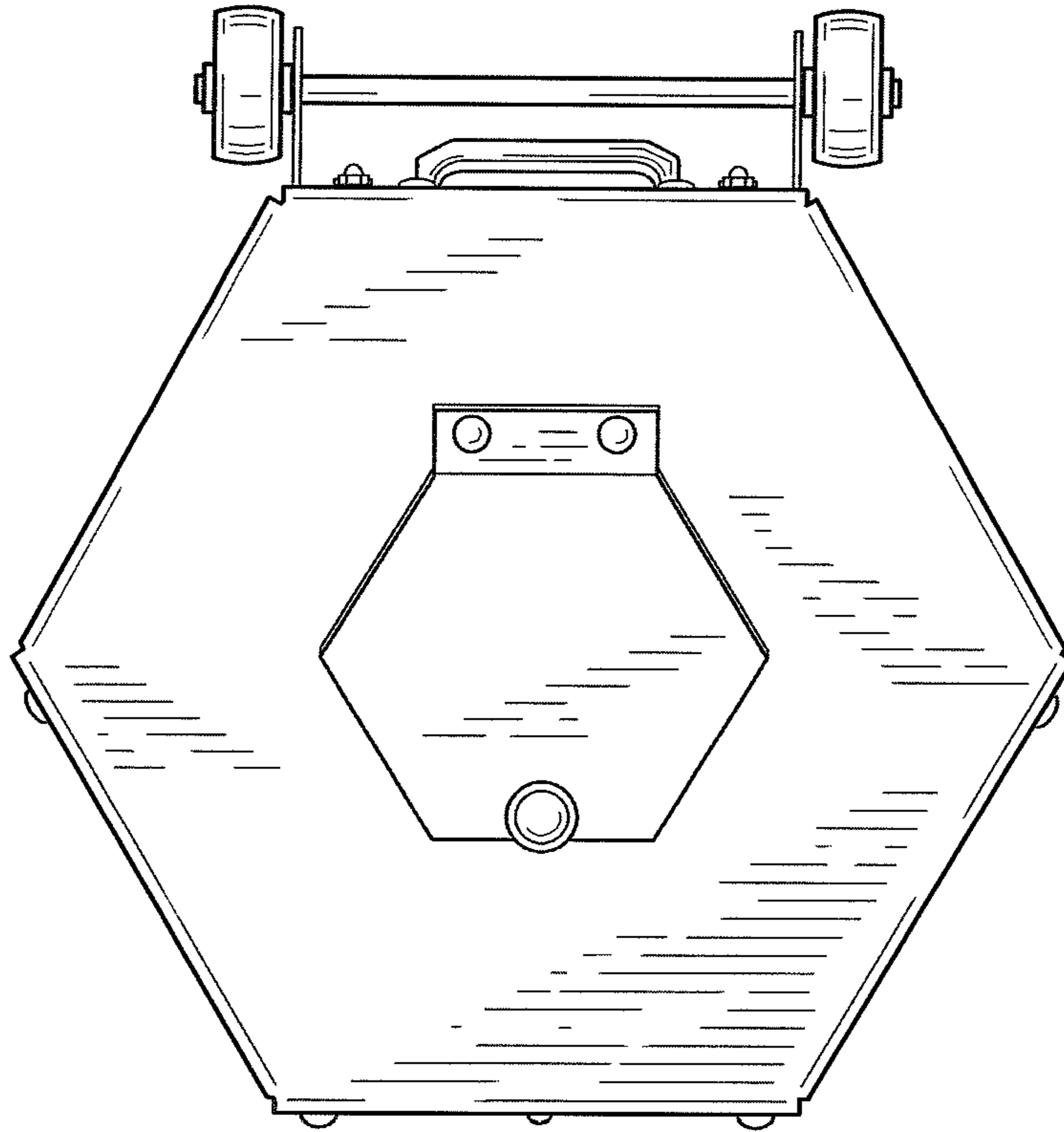


FIG. 6

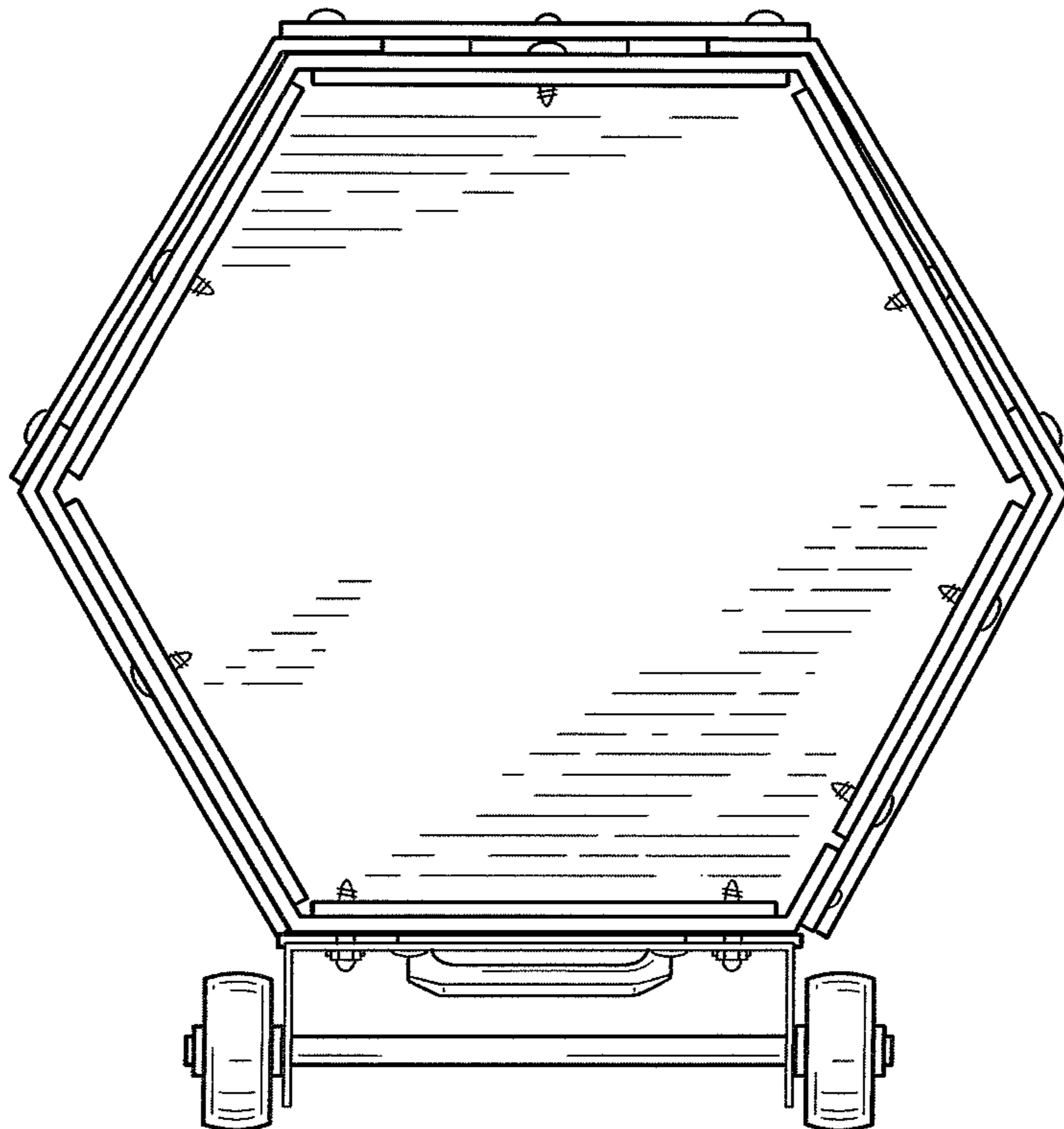


FIG. 7

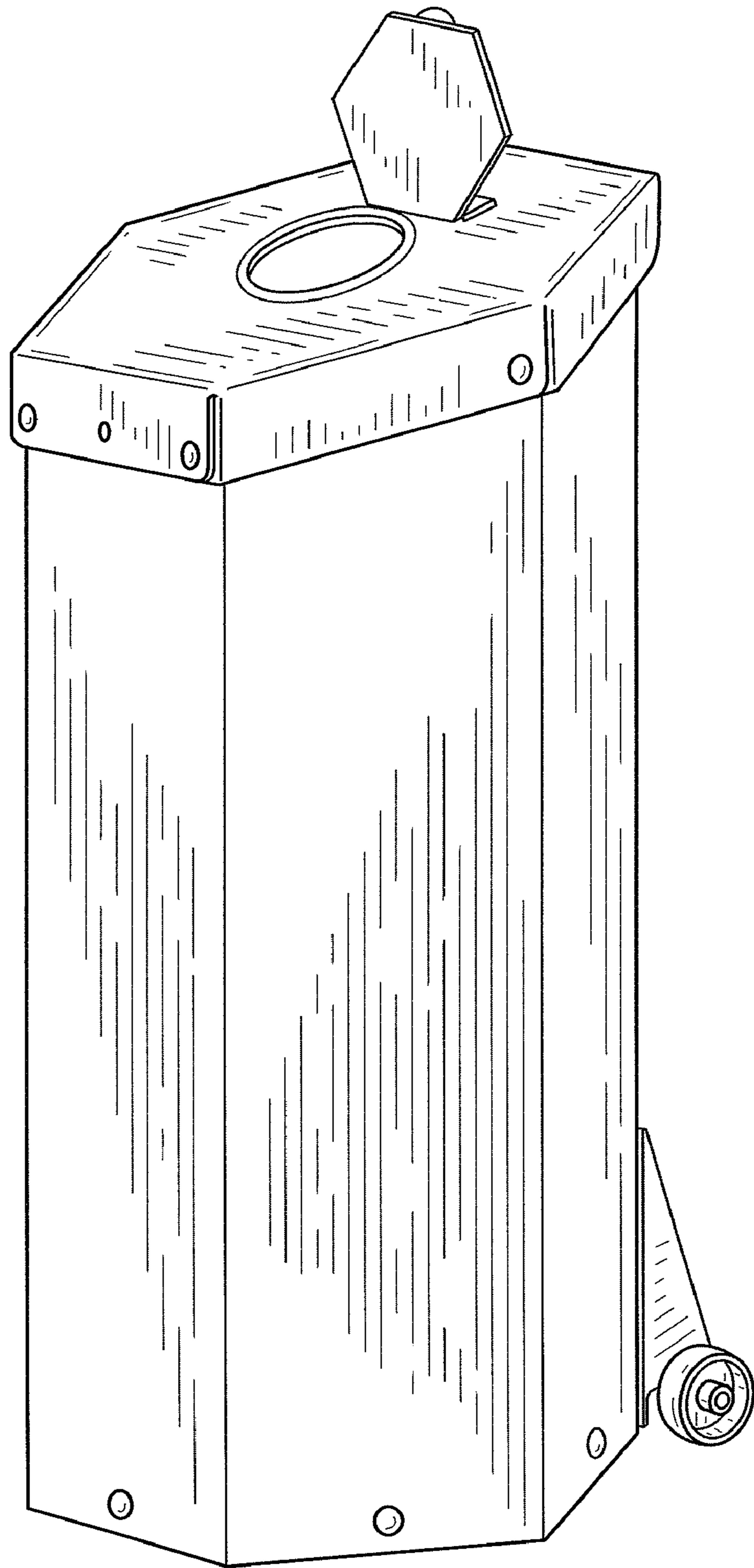


FIG. 8



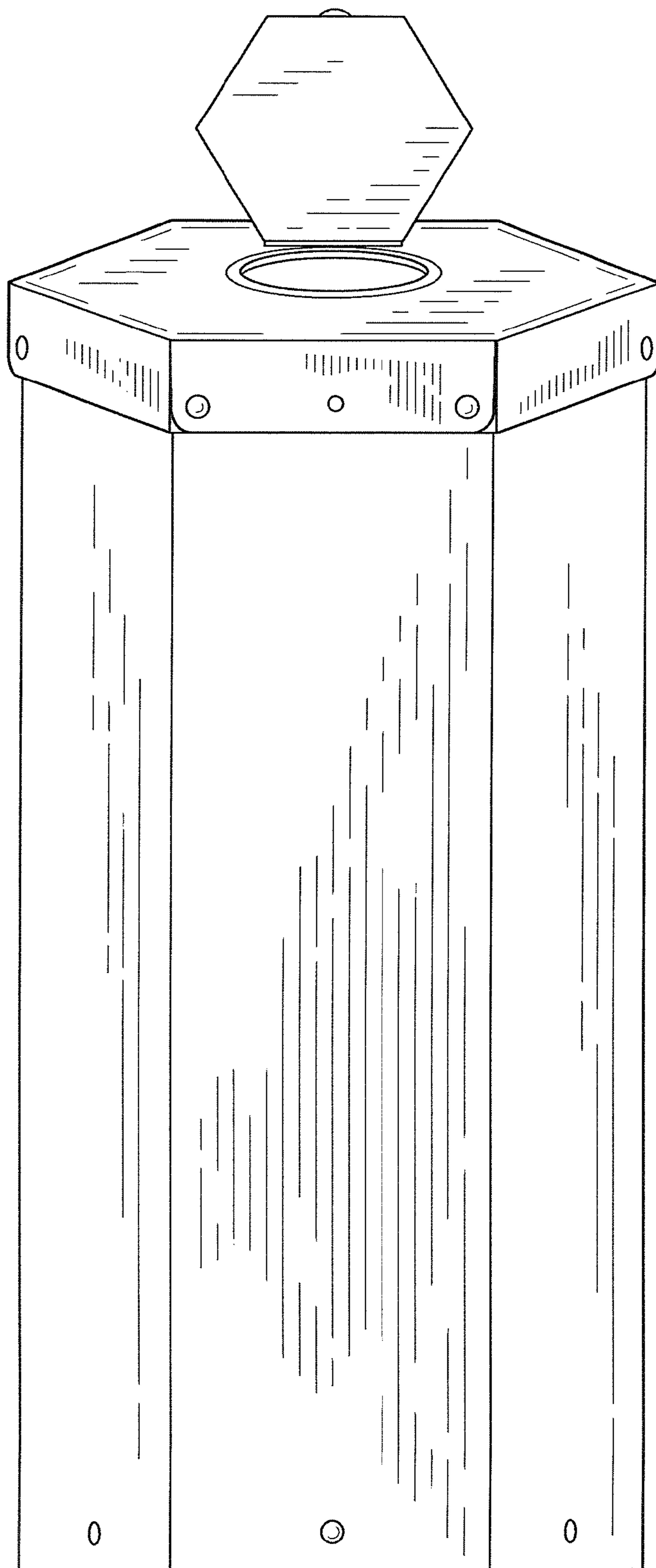


FIG. 9

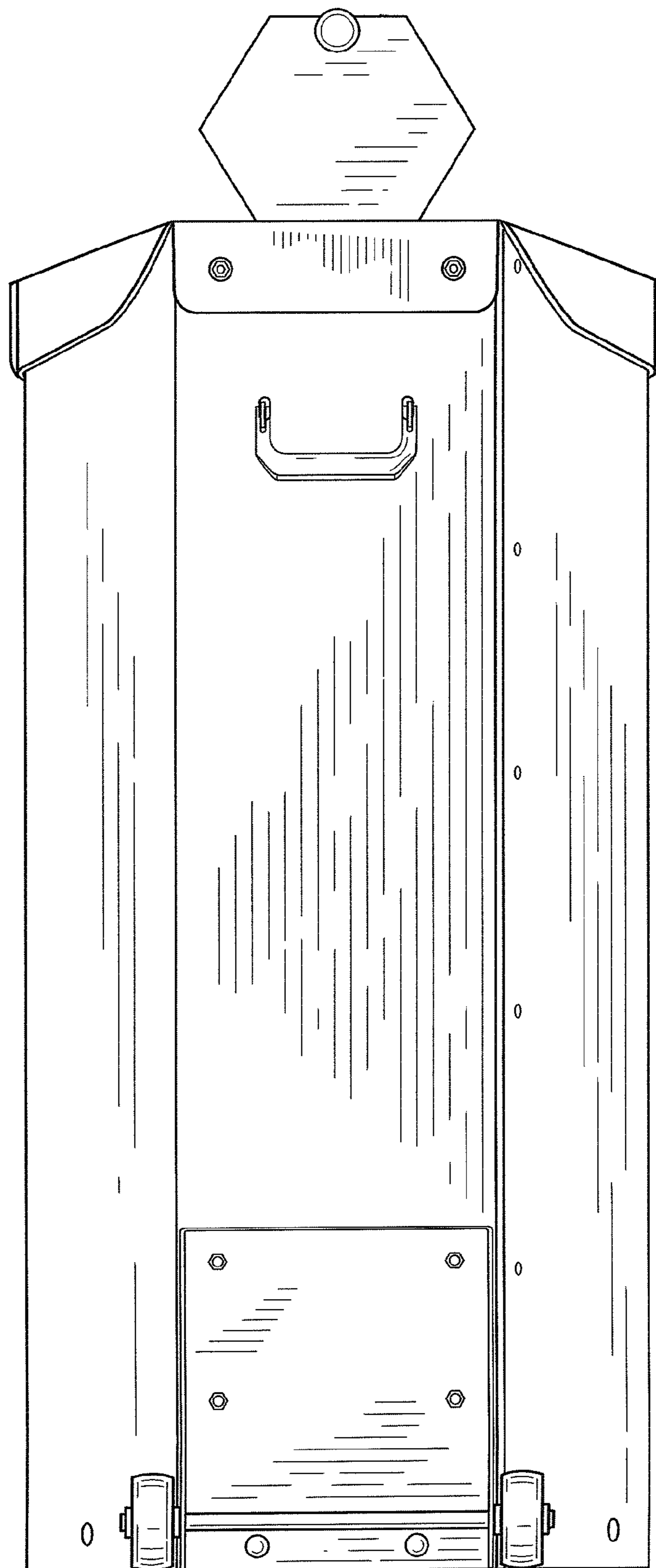


FIG. 10

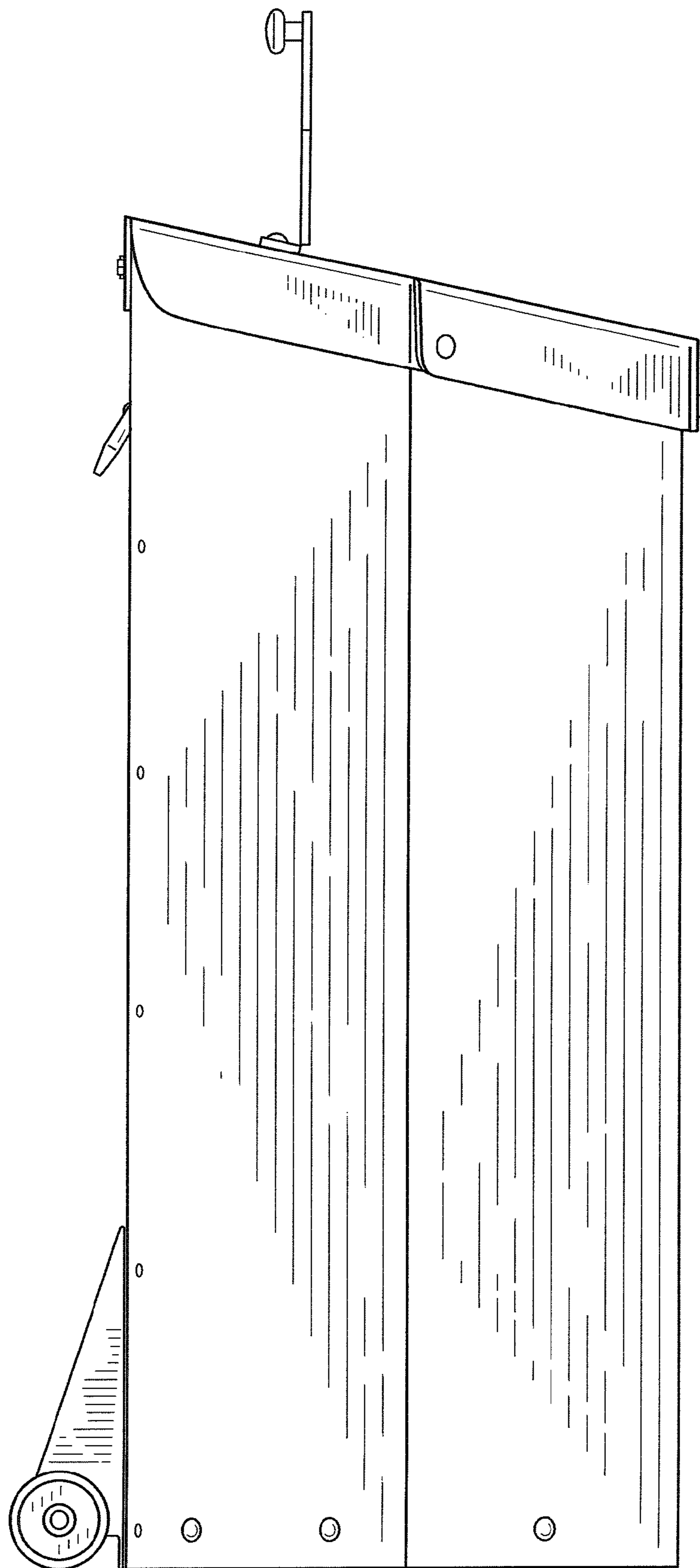


FIG. 11

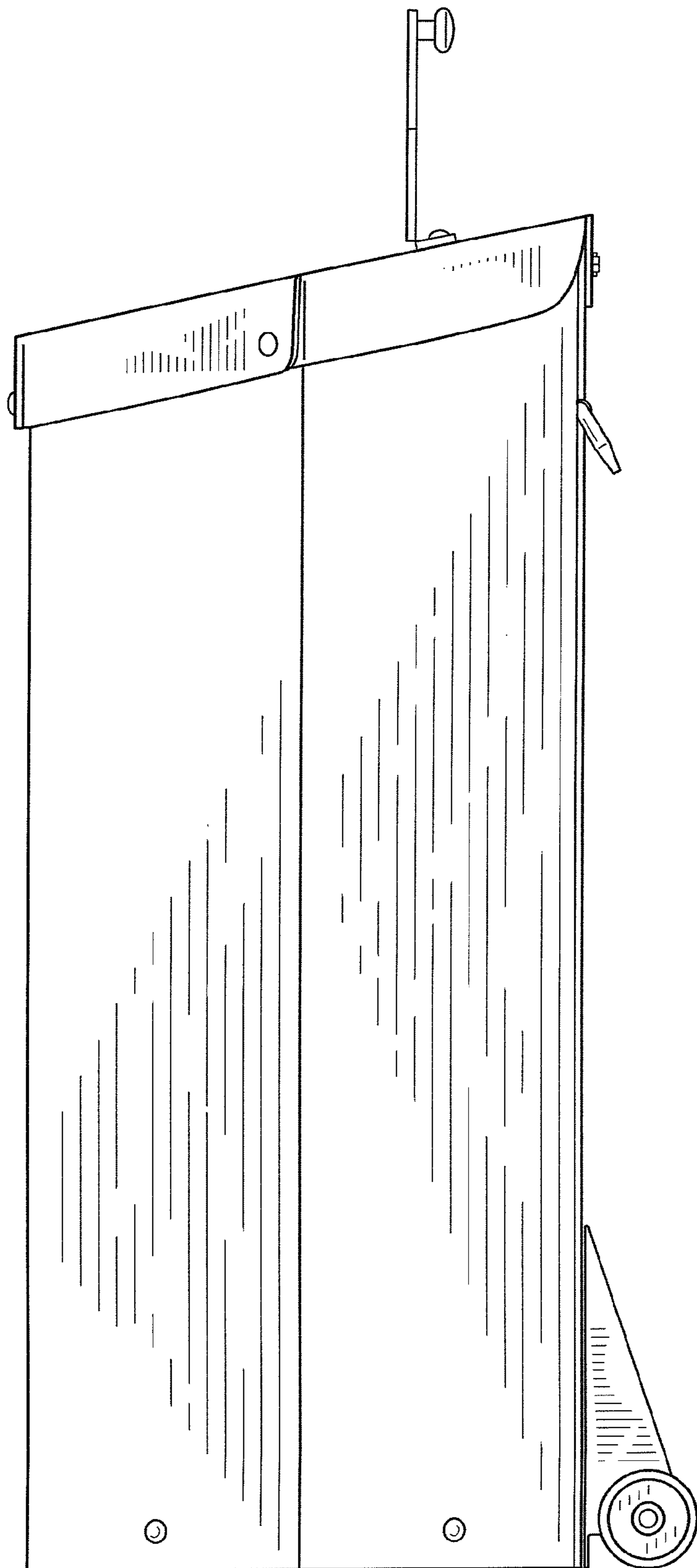


FIG. 12

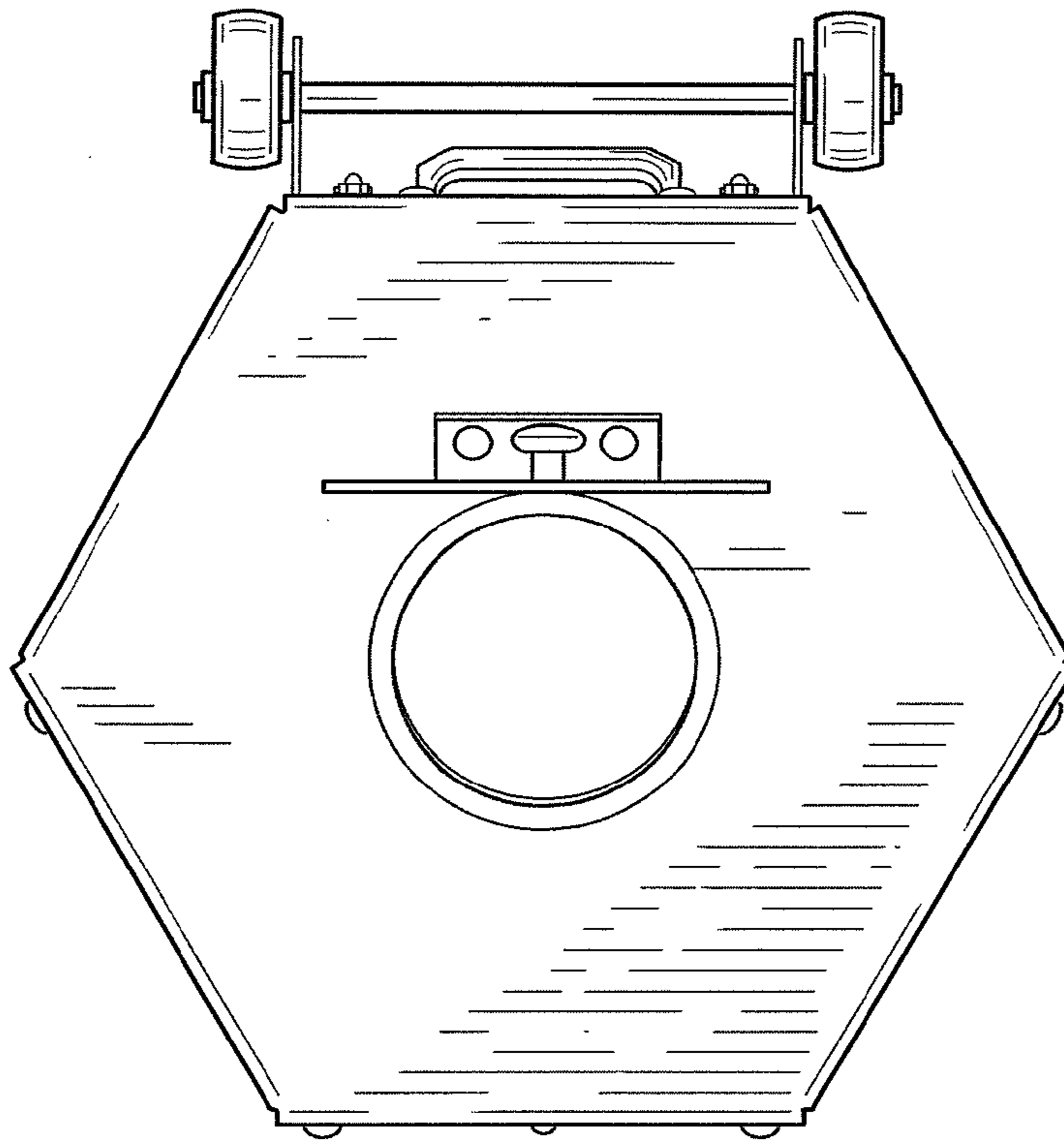


FIG. 13

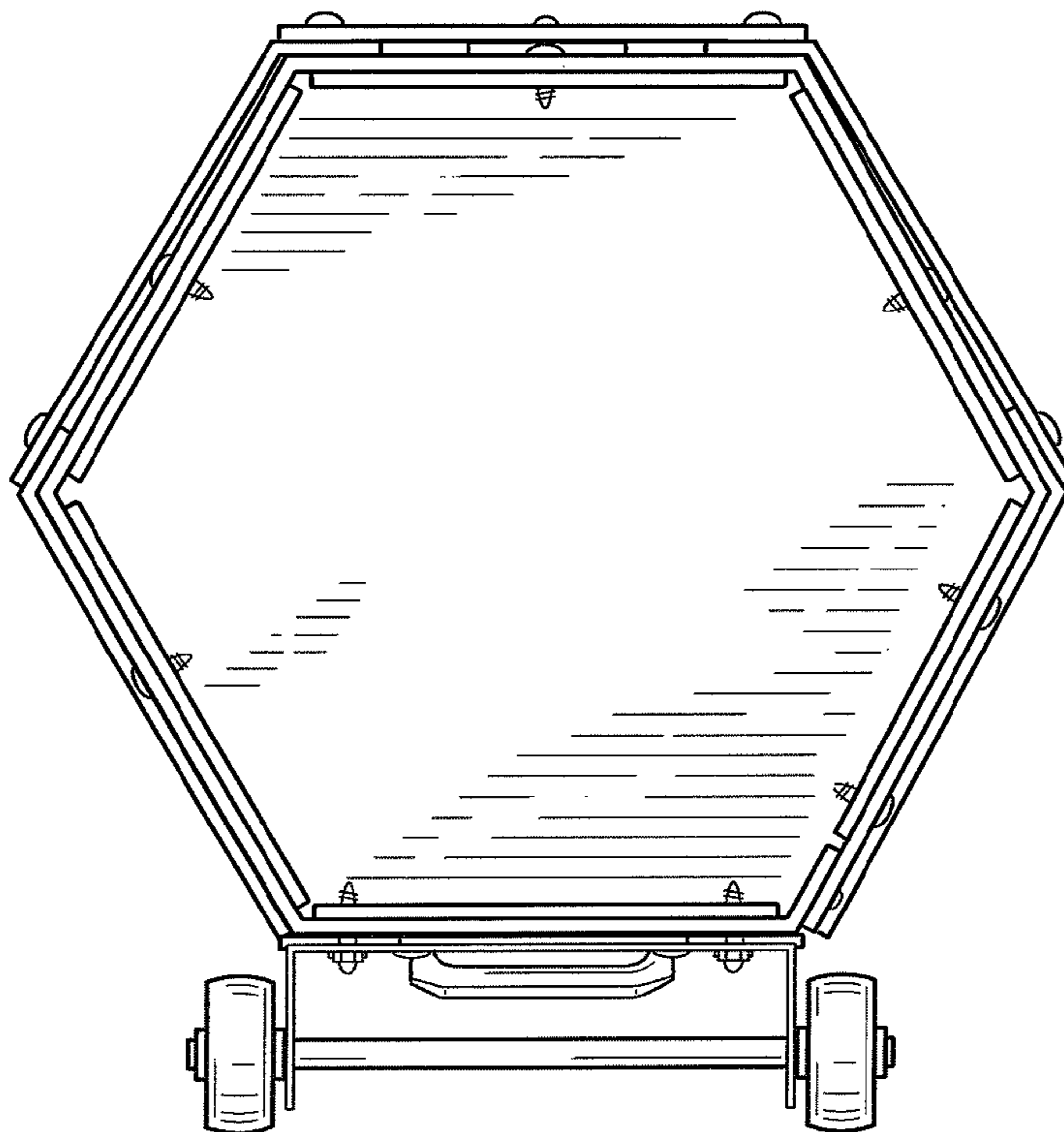


FIG. 14

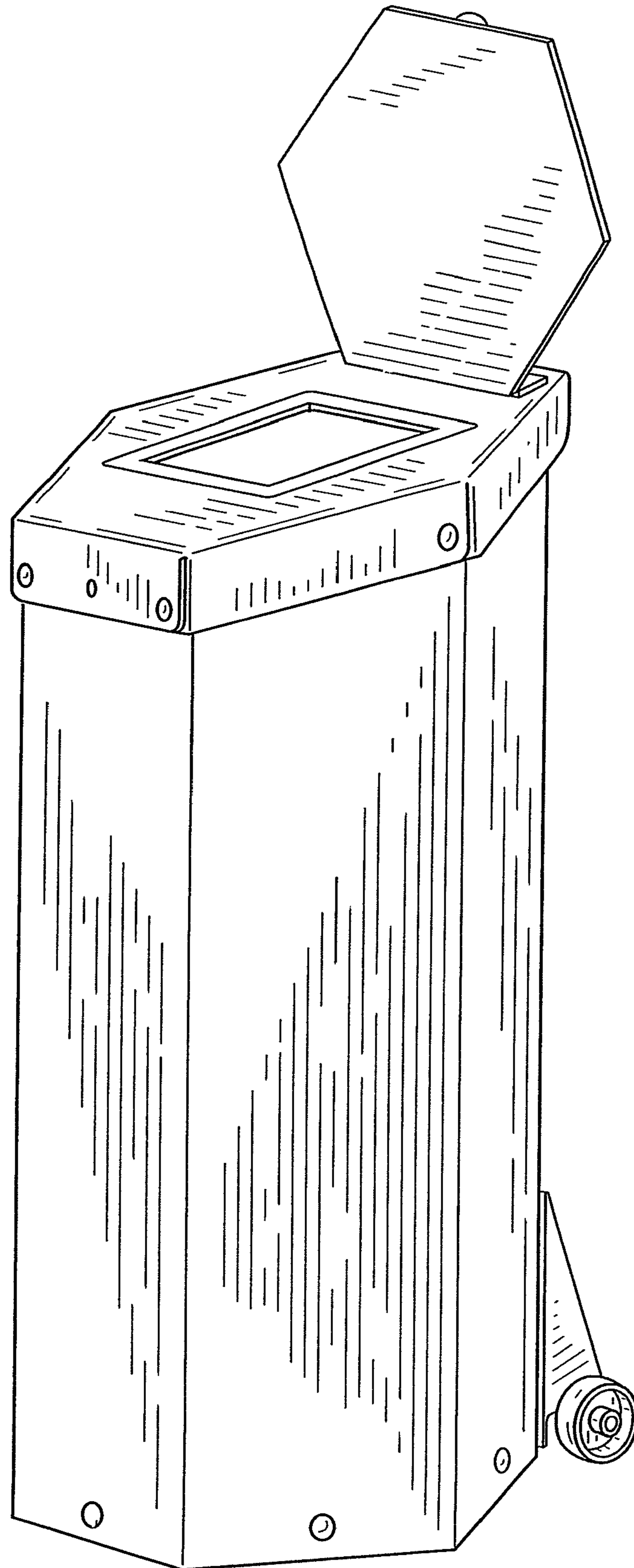


FIG. 15

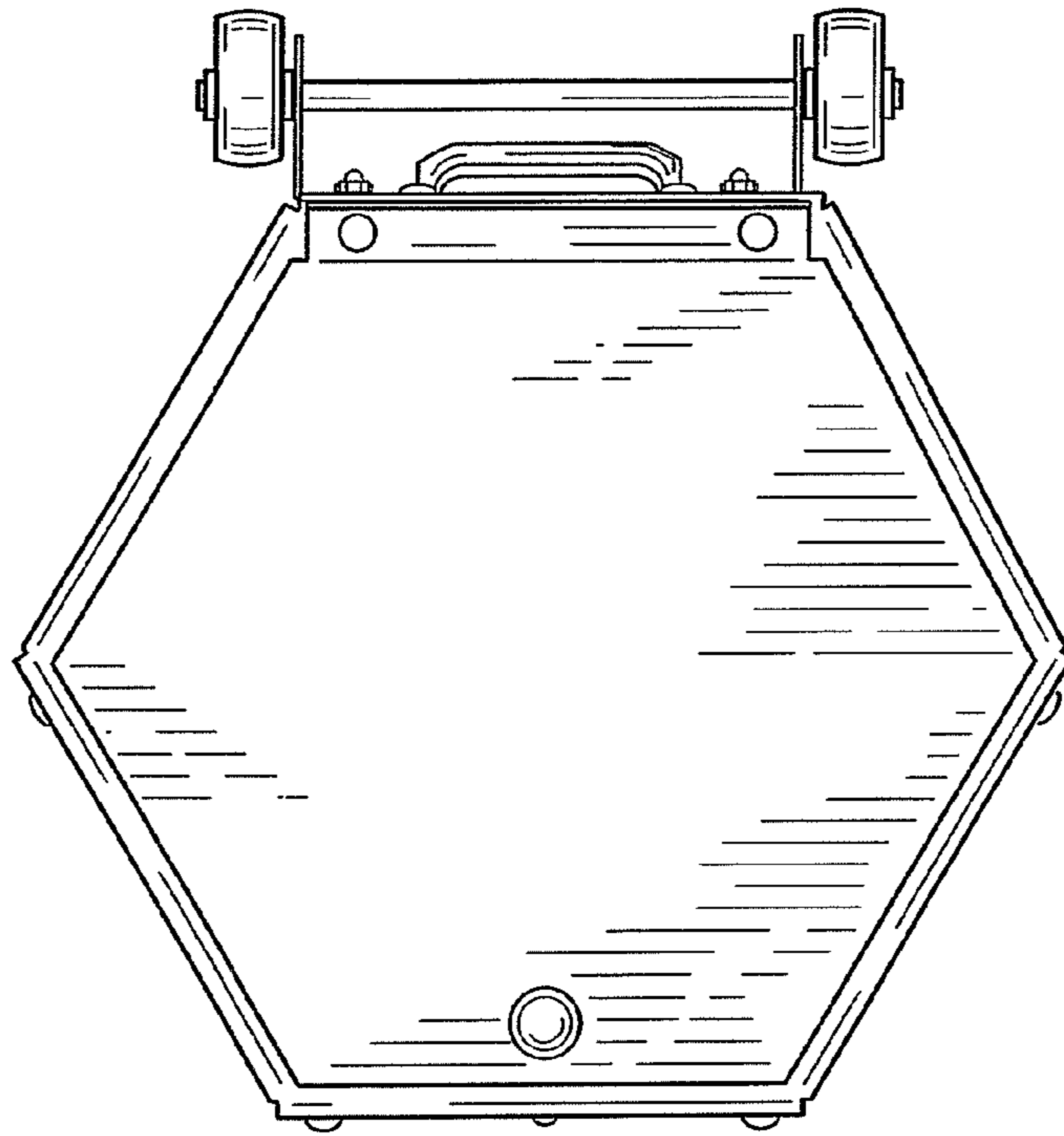


FIG. 16

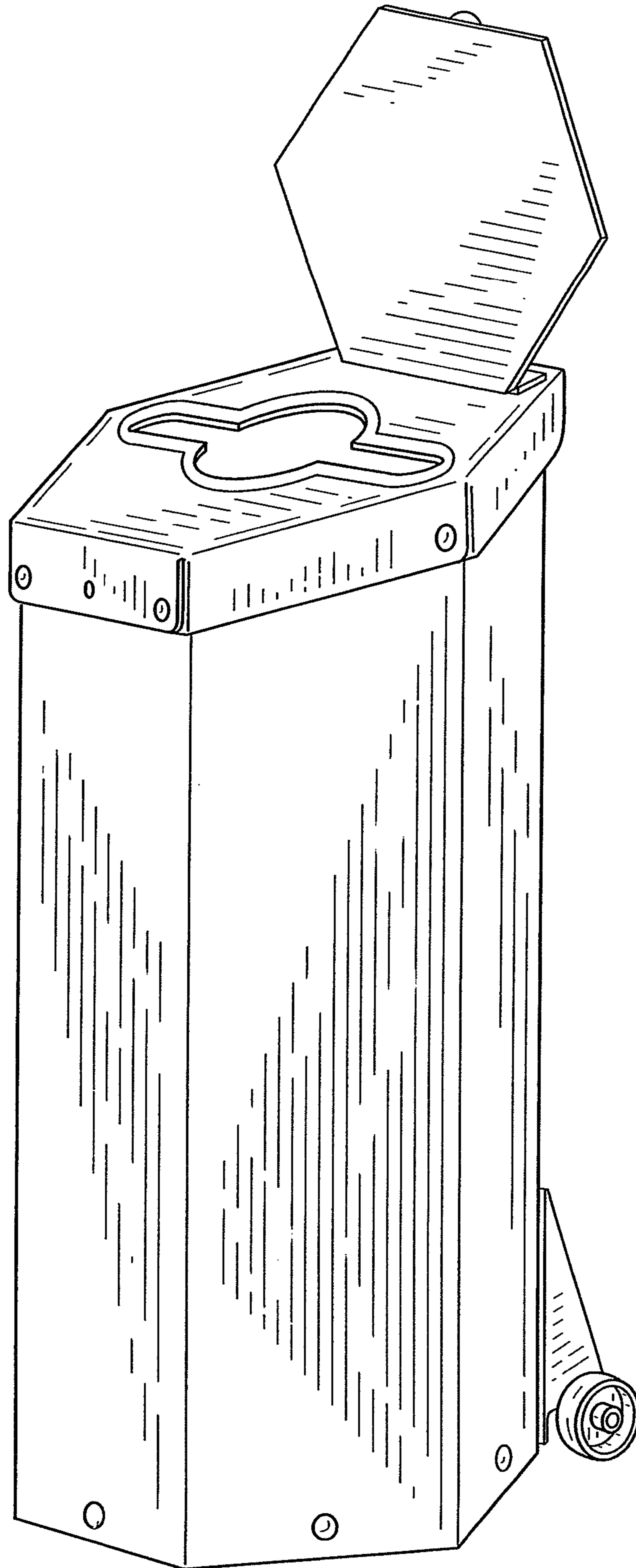


FIG. 17