



US00D659337S

(12) **United States Design Patent**
Bradley

(10) **Patent No.:** **US D659,337 S**

(45) **Date of Patent:** **** May 8, 2012**

(54) **BIN**

(76) Inventor: **Taylor Bradley, Jindalee (AU)**

(**) Term: **14 Years**

(21) Appl. No.: **29/400,122**

(22) Filed: **Aug. 23, 2011**

(51) **LOC (9) Cl.** **09-09**

(52) **U.S. Cl.** **D34/1**

(58) **Field of Classification Search** D34/1,
D34/7; D19/85, 77, 81, 84; D7/509; D11/143,
D11/152; 220/908, 908.1, 911

See application file for complete search history.

D489,501 S * 5/2004 Dretzka D34/1
D490,582 S * 5/2004 Dretzka D34/1
D577,630 S * 9/2008 Schmidt D11/152
D614,079 S * 4/2010 Woerner D11/152
D614,080 S * 4/2010 Woerner D11/152
D649,729 S * 11/2011 Salonen et al. D34/1

* cited by examiner

Primary Examiner — Cynthia Ramirez

(74) *Attorney, Agent, or Firm* — QuickPatents, Inc.; Kevin Prince

(57) **CLAIM**

I claim the ornamental design for a bin, as shown and described.

DESCRIPTION

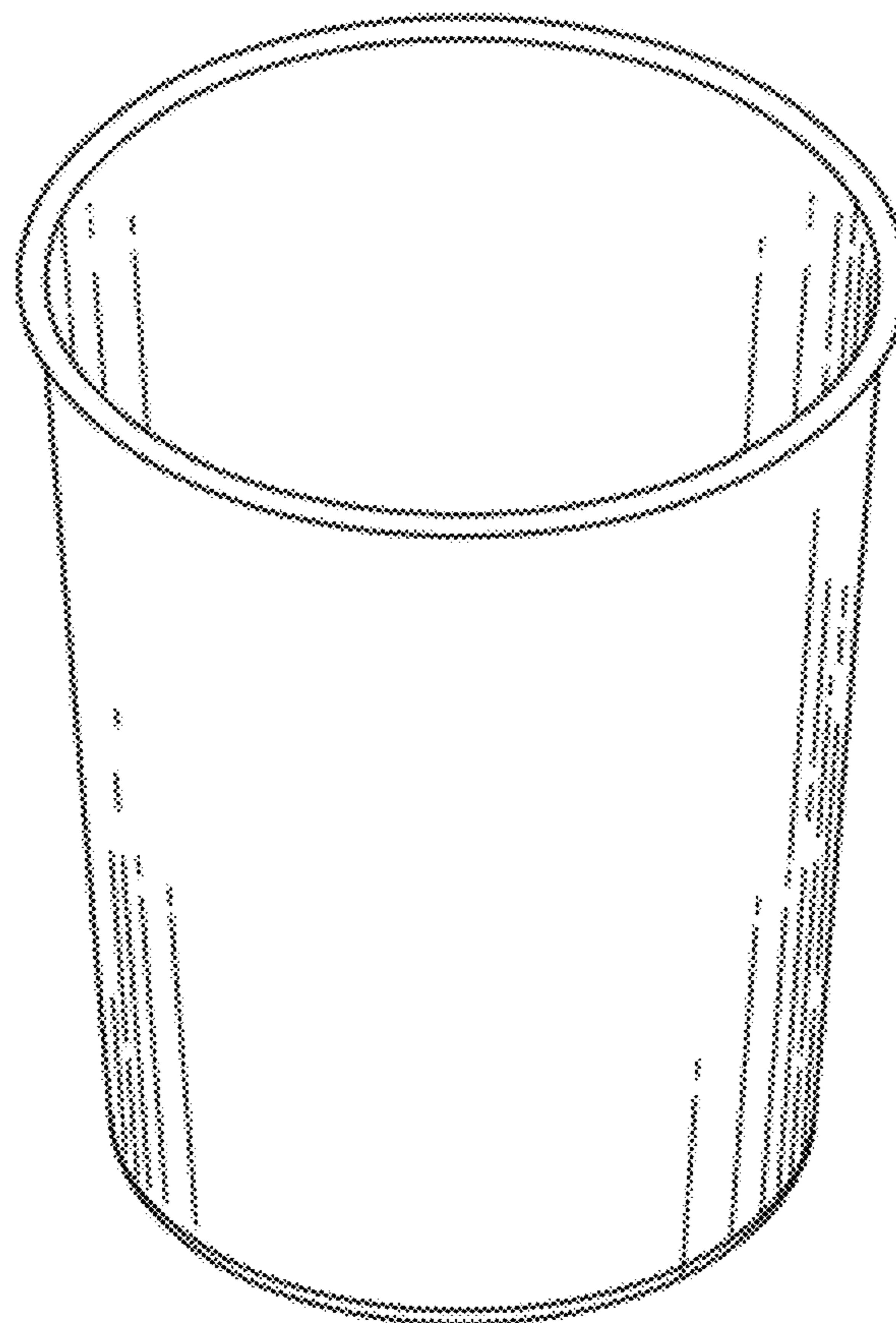
FIG. 1 is a perspective view of a bin, showing my new design; FIG. 2 is an exploded perspective view thereof; FIG. 3 is a front elevational view thereof, the left-side elevational view, rear elevational view, and right-side elevational view all being a mirror image thereof; FIG. 4 is a top plan view thereof; FIG. 5 is a bottom plan view thereof; and, FIG. 6 is a cross-sectional view thereof, taken generally along lines 6-6 of FIG. 4.

1 Claim, 3 Drawing Sheets

(56) **References Cited**

U.S. PATENT DOCUMENTS

357,698	A *	2/1887	Burrough	47/71
1,427,879	A *	9/1922	Weinman	220/655
2,246,346	A *	6/1941	Carroll	431/298
3,245,175	A *	4/1966	Klingberg	47/41.13
3,468,467	A *	9/1969	Amberg	229/403
4,232,482	A *	11/1980	Watt et al.	47/71
D317,120	S *	5/1991	Schwartzburg	D9/778
D364,112	S *	11/1995	Dickinson et al.	D11/152
5,553,733	A *	9/1996	Rosenthal	428/35.2
D382,512	S *	8/1997	Hulsebus	D11/152
D410,757	S *	6/1999	Clark	D26/23



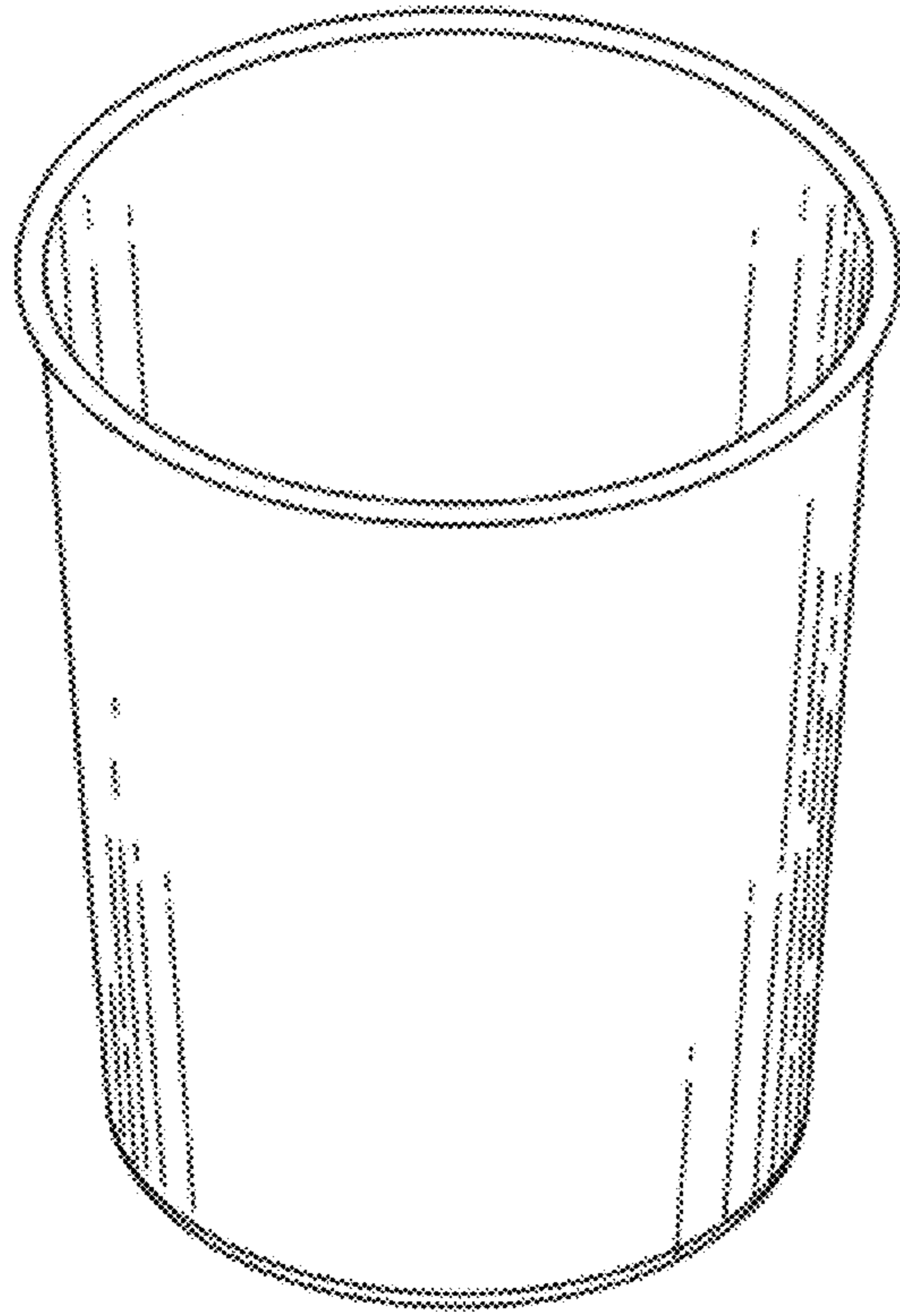


FIG. 1

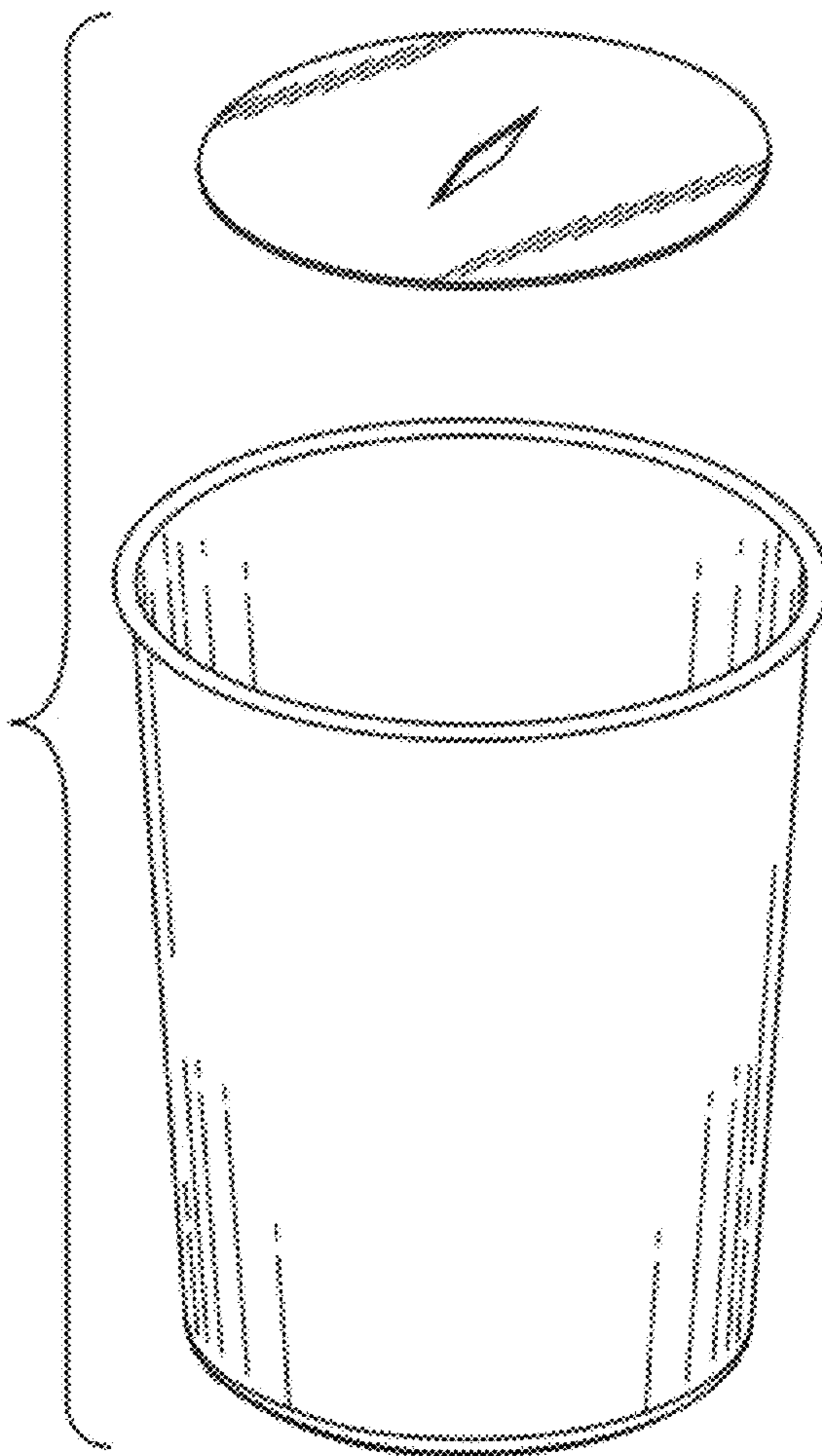


FIG. 2

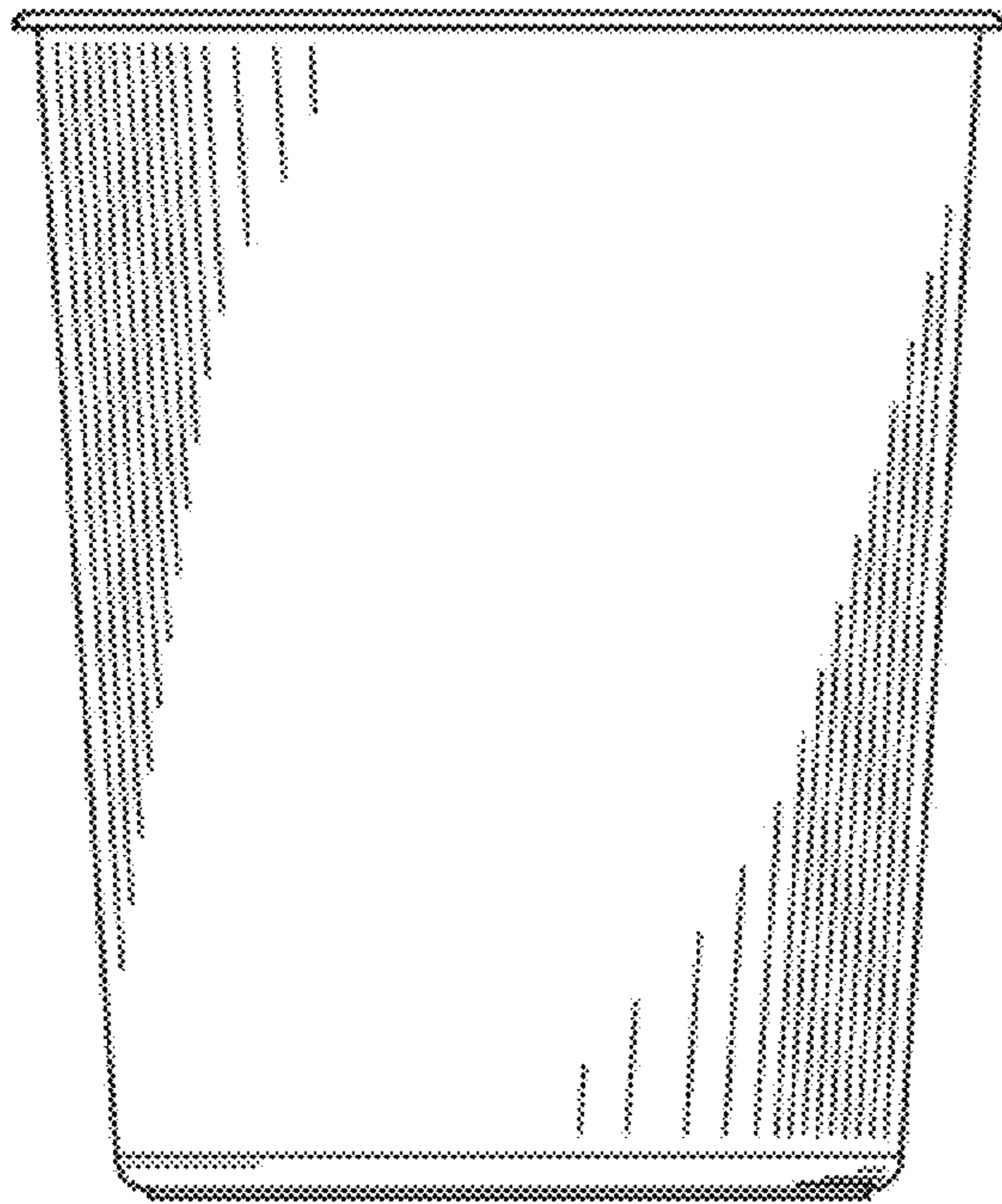


FIG. 3

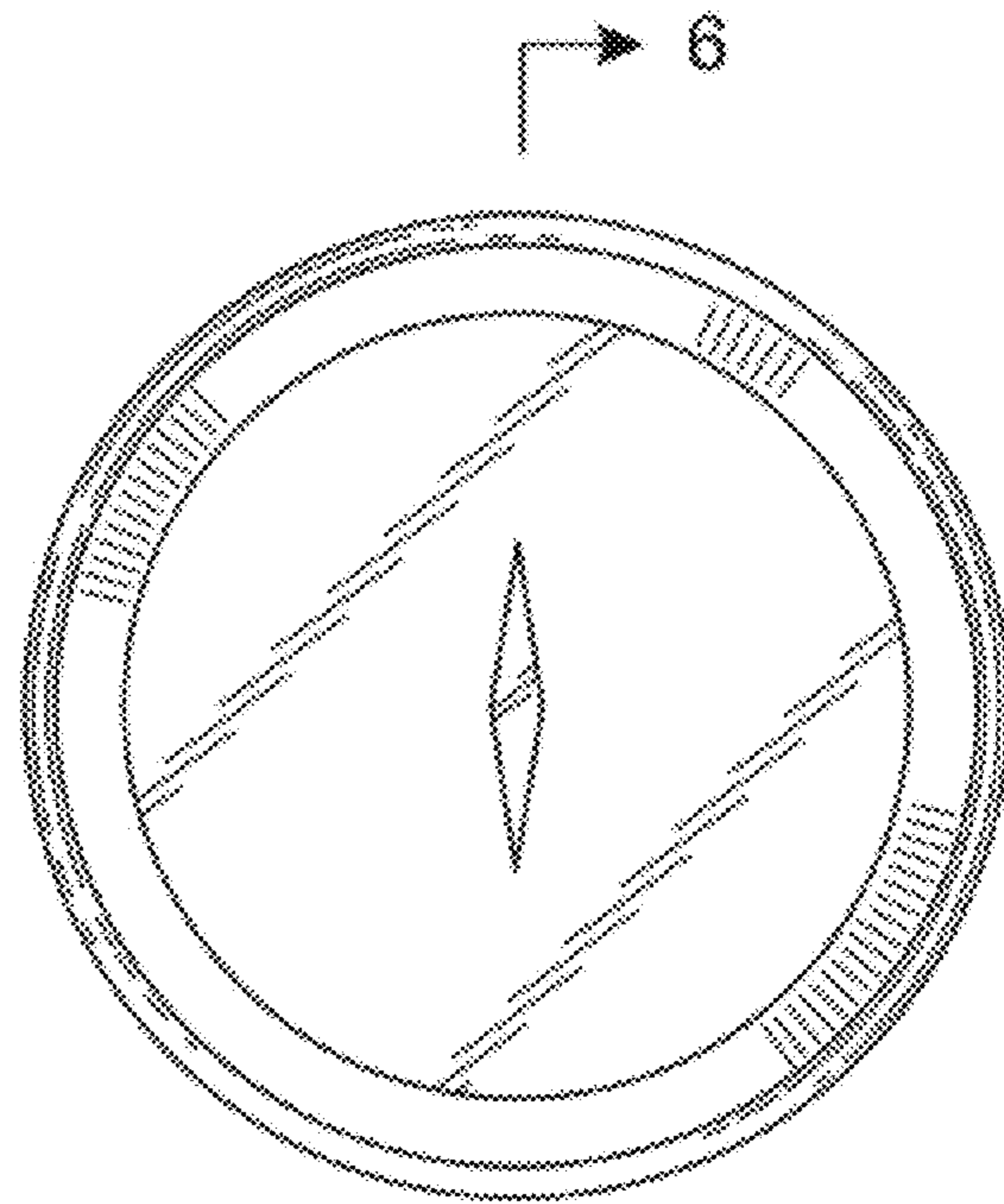


FIG. 4



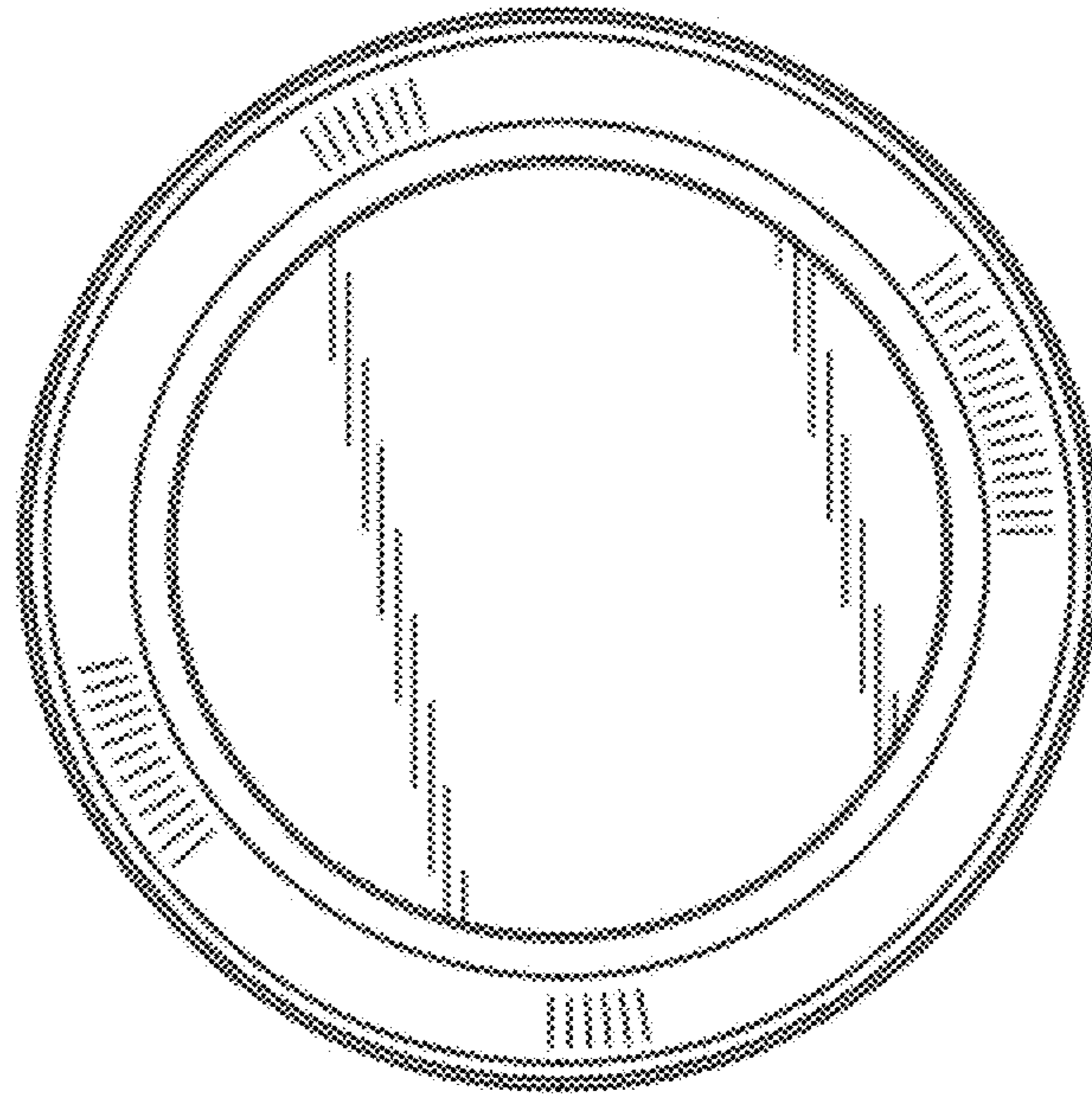


FIG. 5

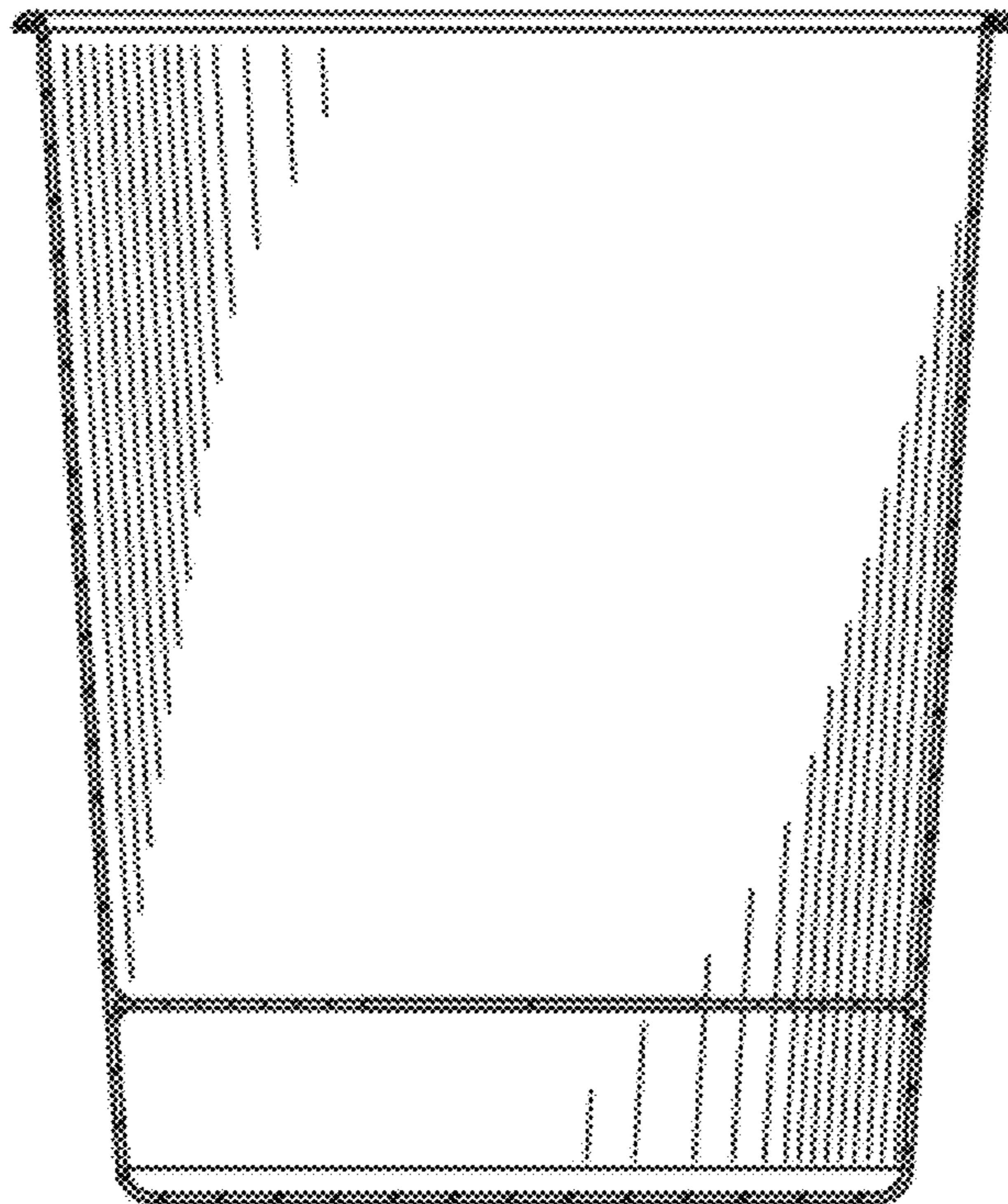


FIG. 6