



US00D659335S

(12) **United States Design Patent**
Beneli

(10) **Patent No.:** **US D659,335 S**

(45) **Date of Patent:** **** May 8, 2012**

(54) **COVERED CLOTHES LINE**

(76) Inventor: **Meir Beneli**, Caulfield South (AU)

(**) Term: **14 Years**

(21) Appl. No.: **29/402,345**

(22) Filed: **Sep. 22, 2011**

(30) **Foreign Application Priority Data**

Mar. 23, 2011 (AU) 11257/2011

(51) **LOC (9) Cl.** **07-05**

(52) **U.S. Cl.** **D32/58**

(58) **Field of Classification Search** D32/55,
D32/276, 3, 58; D6/510, 525; 211/41.5,
211/41.4, 41.3, 41.8, 195, 200; 361/679.4;
312/311, 333, 334.4; D7/354, 629, 368
See application file for complete search history.

(56) **References Cited**

U.S. PATENT DOCUMENTS

2,670,855	A *	3/1954	Pierie	211/197
2,882,661	A *	4/1959	Cote	53/545
3,360,266	A *	12/1967	Wathen	273/399
D238,410	S *	1/1976	Weick	D32/58
D267,768	S *	2/1983	Duggan	D7/368
D333,731	S *	3/1993	Klein et al.	D6/317
D391,719	S *	3/1998	Anderson	D32/58

D417,536	S *	12/1999	Sum	D32/58
D544,163	S *	6/2007	Meltzer	D32/58
D650,542	S *	12/2011	Kontorovich et al.	D32/58
2009/0134104	A1 *	5/2009	Victory et al.	211/180
2009/0200255	A1 *	8/2009	Leighton	211/119.18

* cited by examiner

Primary Examiner — Austin Murphy

(74) *Attorney, Agent, or Firm* — Seed IP Law Group PLLC

(57) **CLAIM**

The ornamental design for a covered clothes line, as shown and described.

DESCRIPTION

FIG. 1 is an upper front perspective view of the covered clothes line.

FIG. 2 is a front elevational view thereof.

FIG. 3 is a rear elevational view thereof.

FIG. 4 is a left side elevational view thereof, the right side elevational view being a mirror image thereof.

FIG. 5 is a top plan view thereof.

FIG. 6 is a bottom plan view thereof.

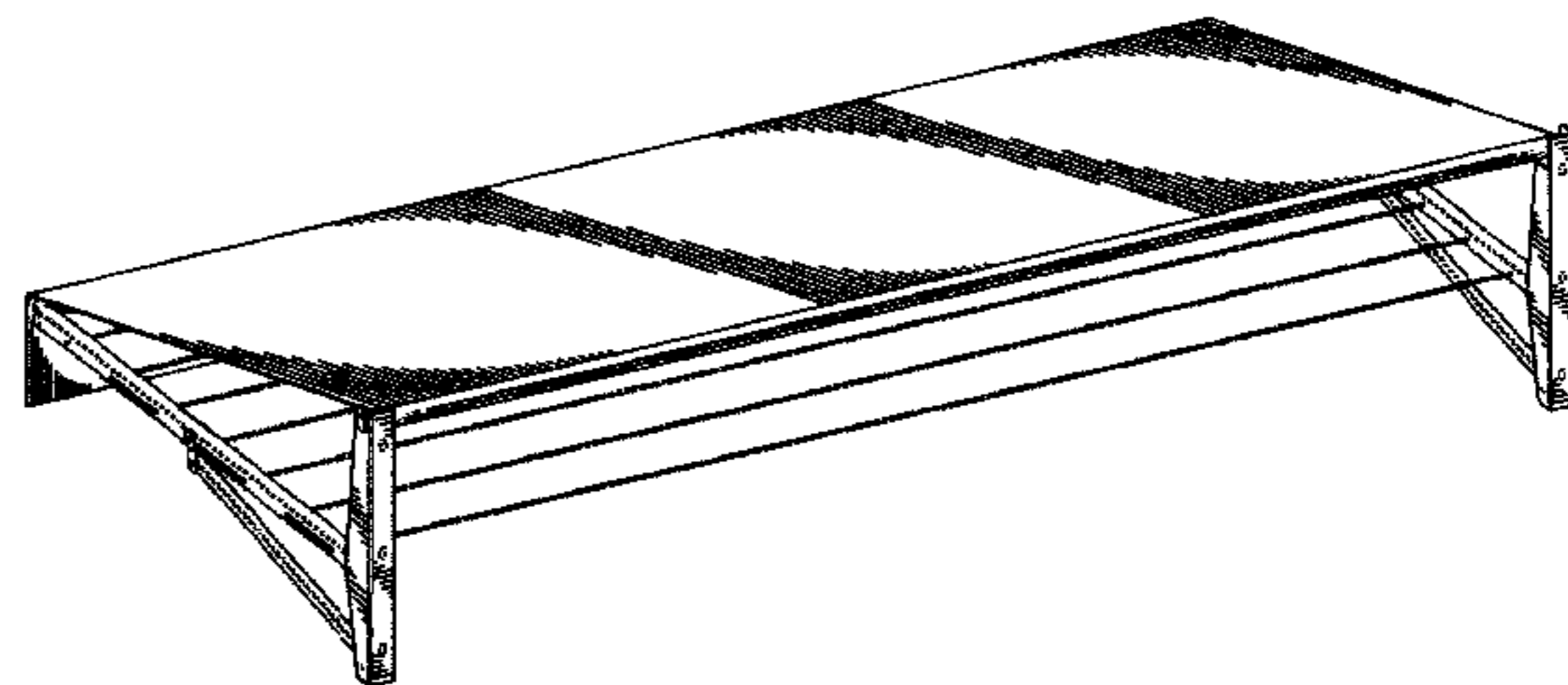
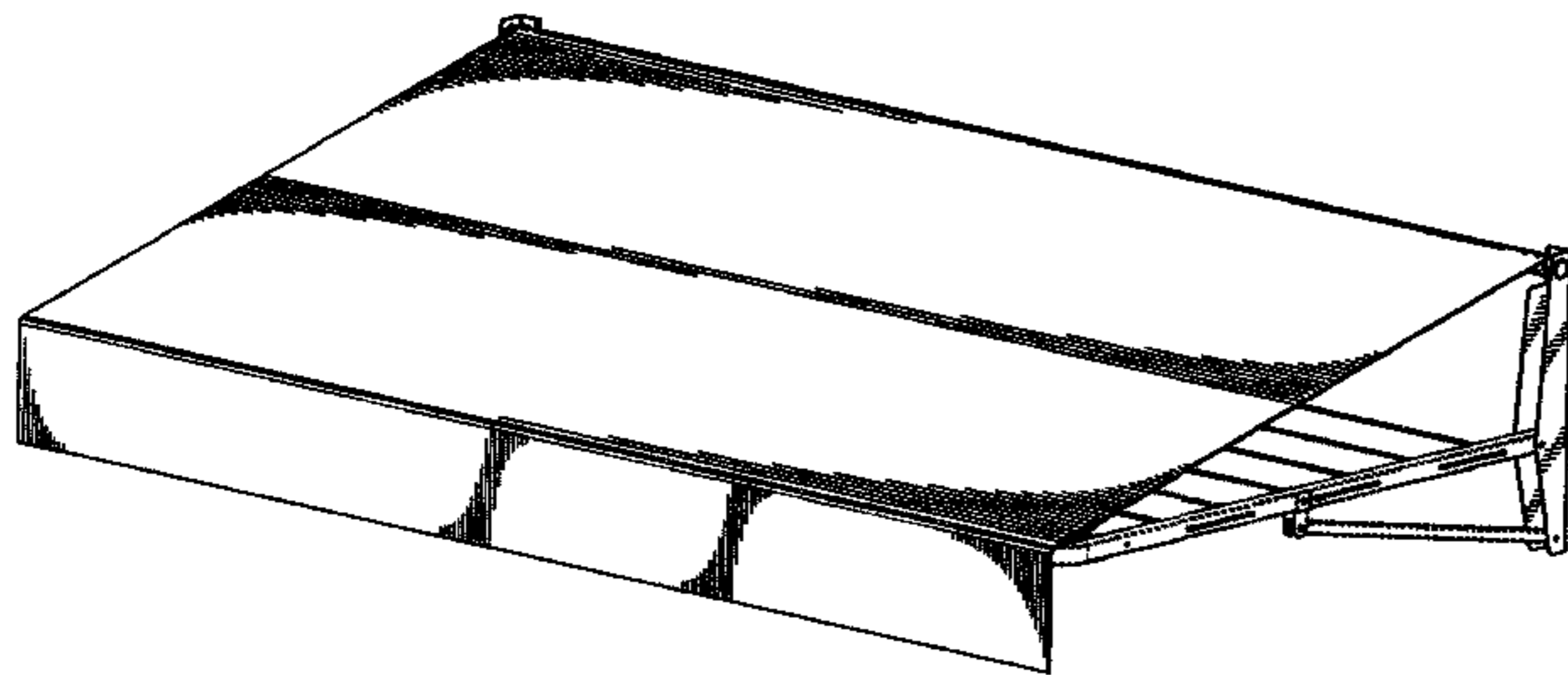
FIG. 7 is a lower rear perspective view thereof.

FIG. 8 is a lower front perspective view thereof; and,

FIG. 9 is an upper rear perspective view thereof.

The broken lines in the figures are for illustrative purposes only and form no part of the claimed design.

1 Claim, 8 Drawing Sheets



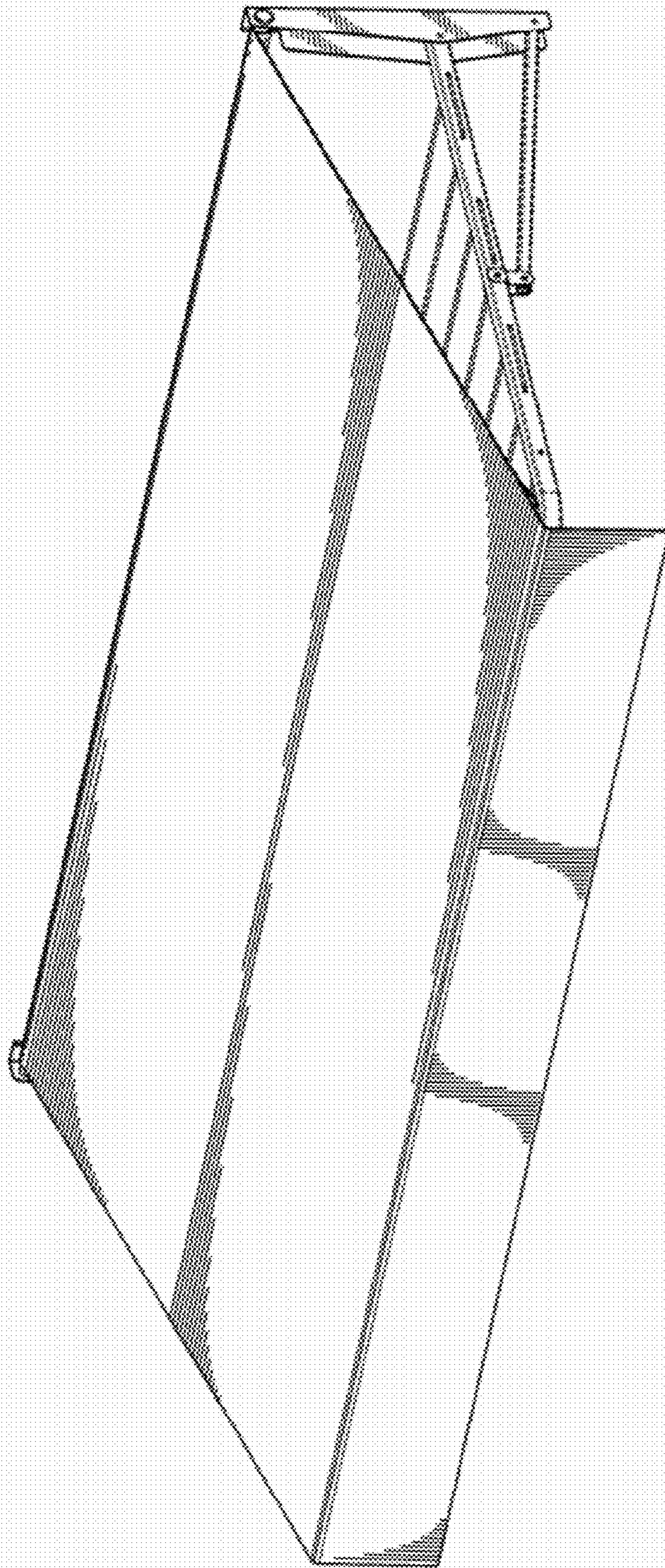


FIG. 1

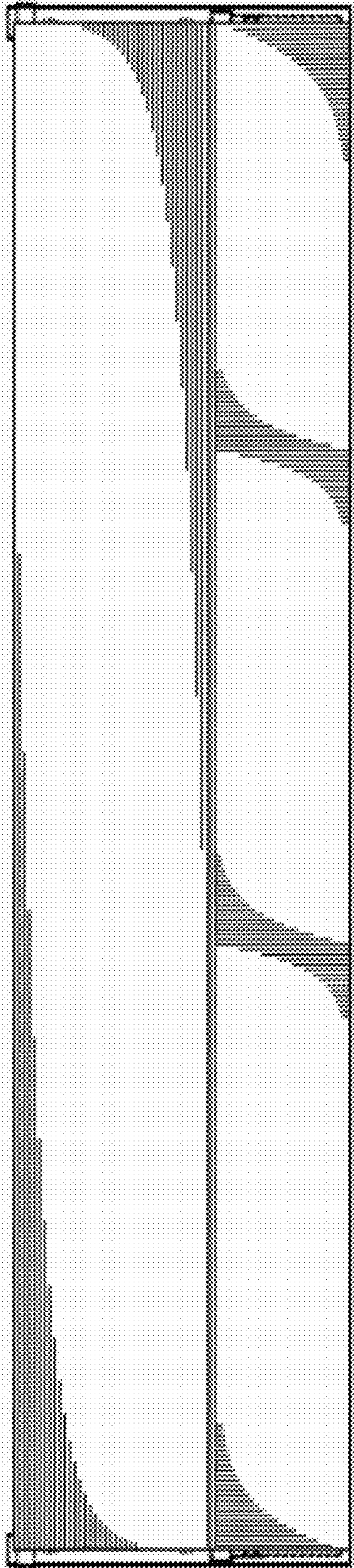


FIG. 2

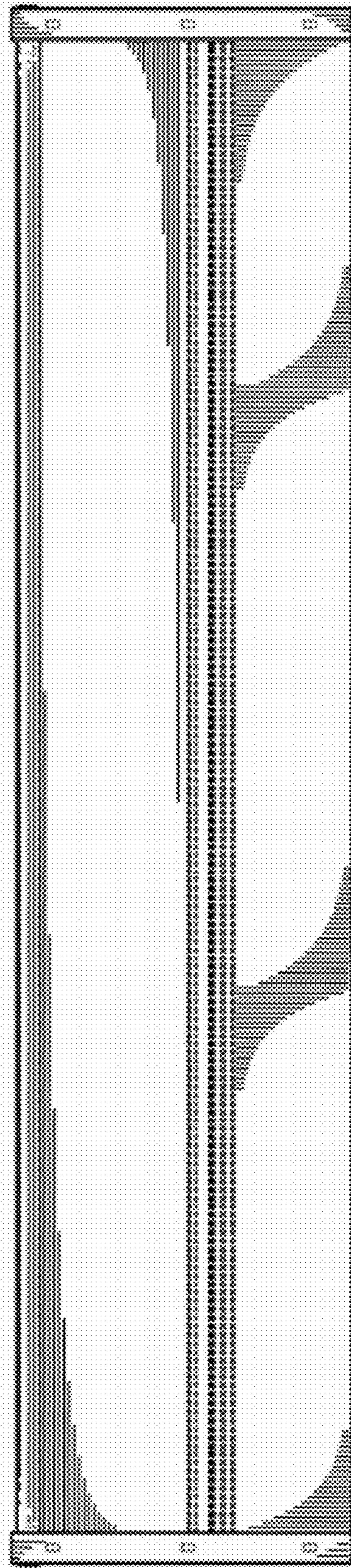


FIG. 3

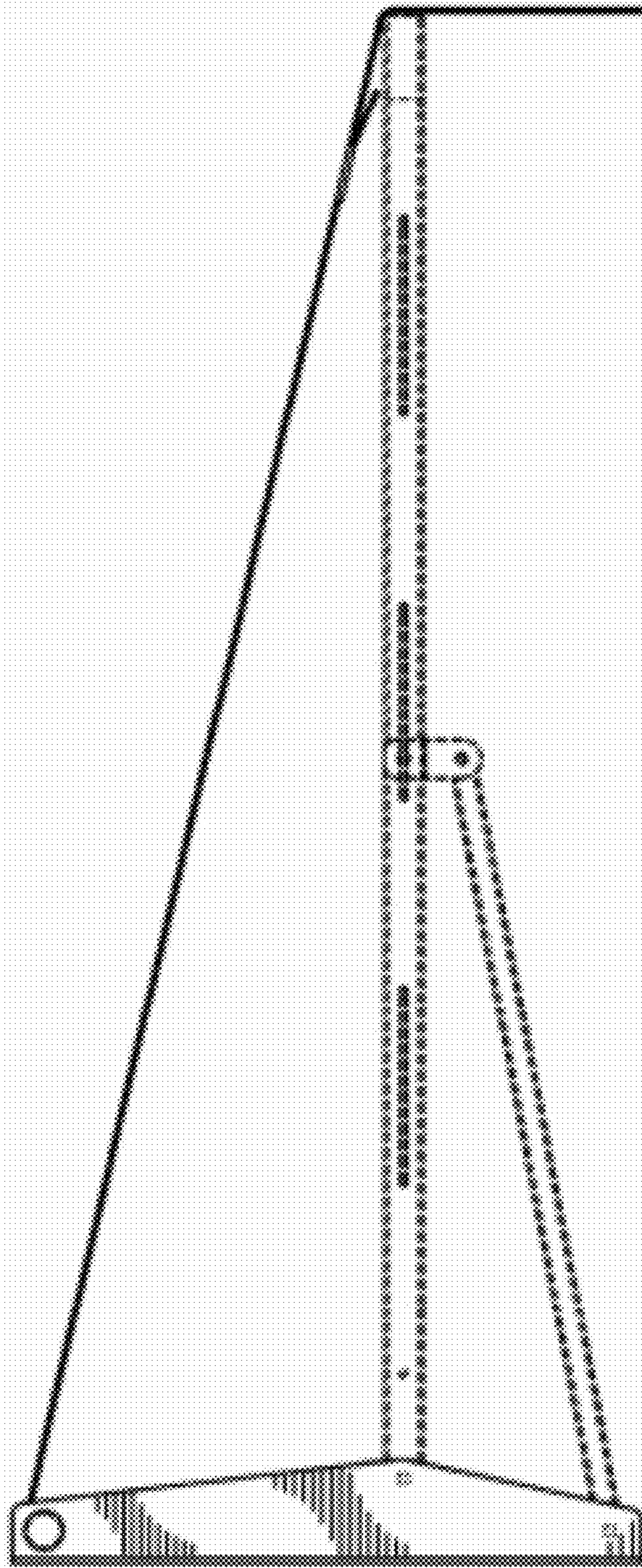


FIG. 4

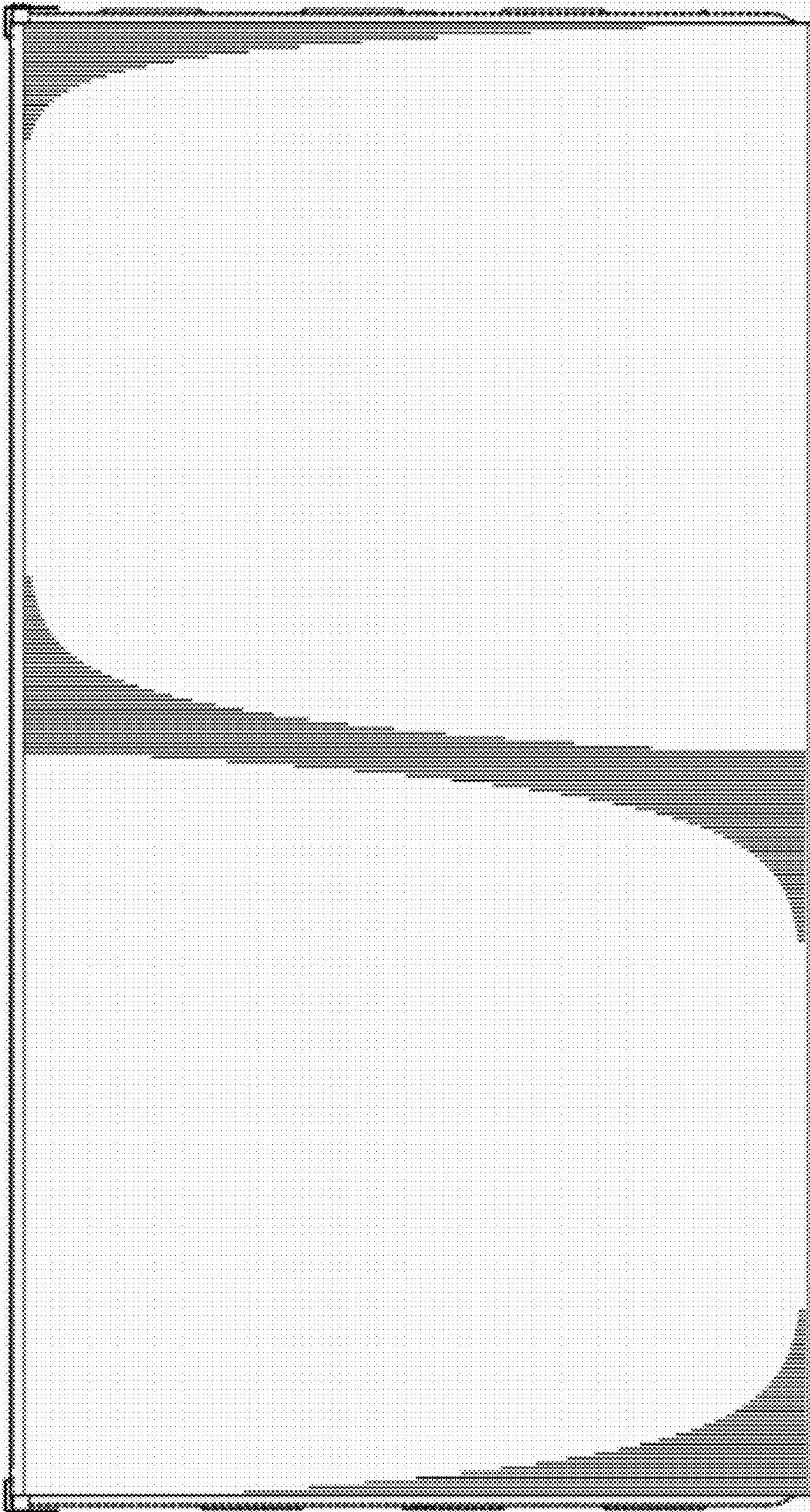


FIG. 5

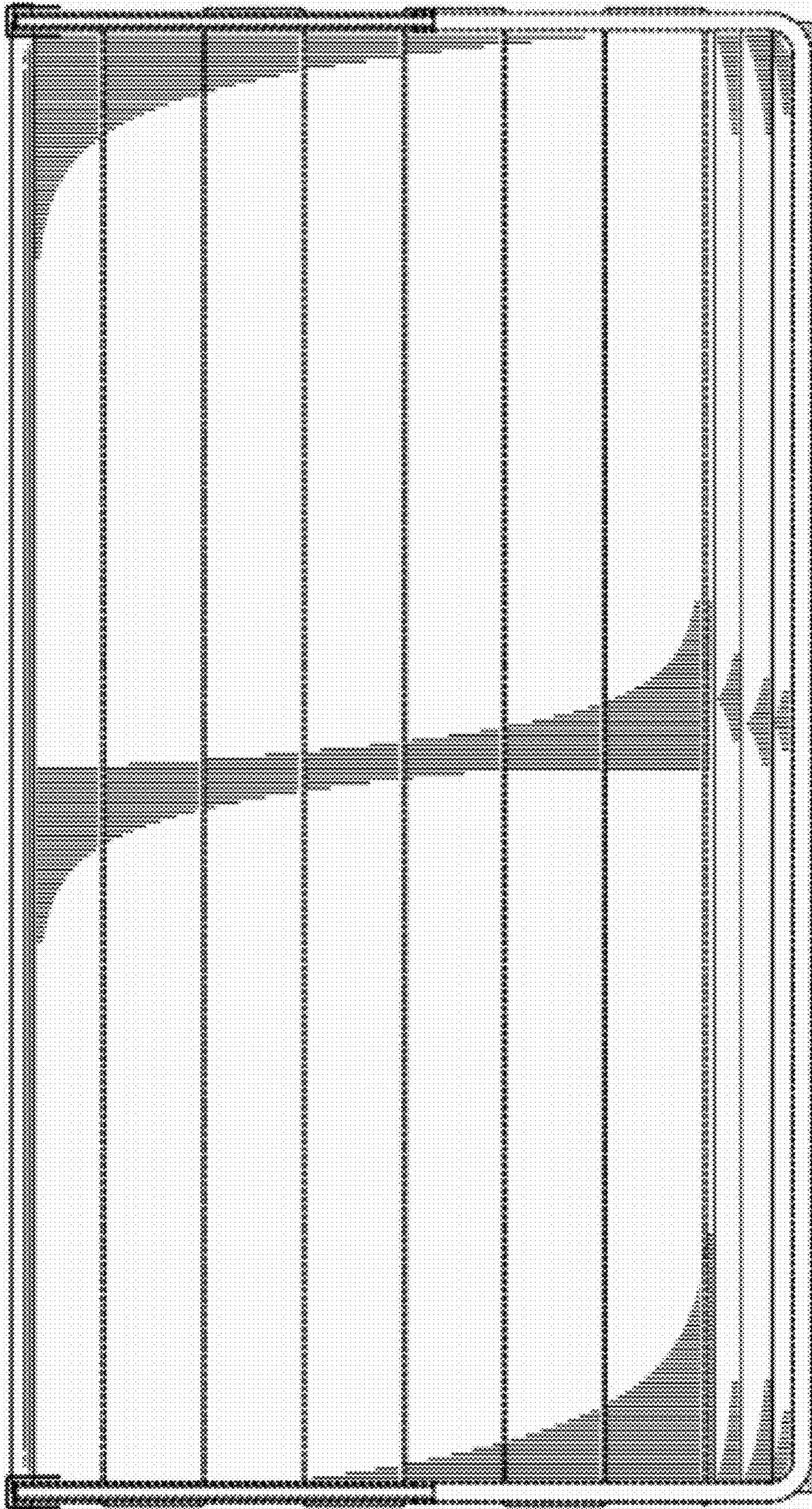
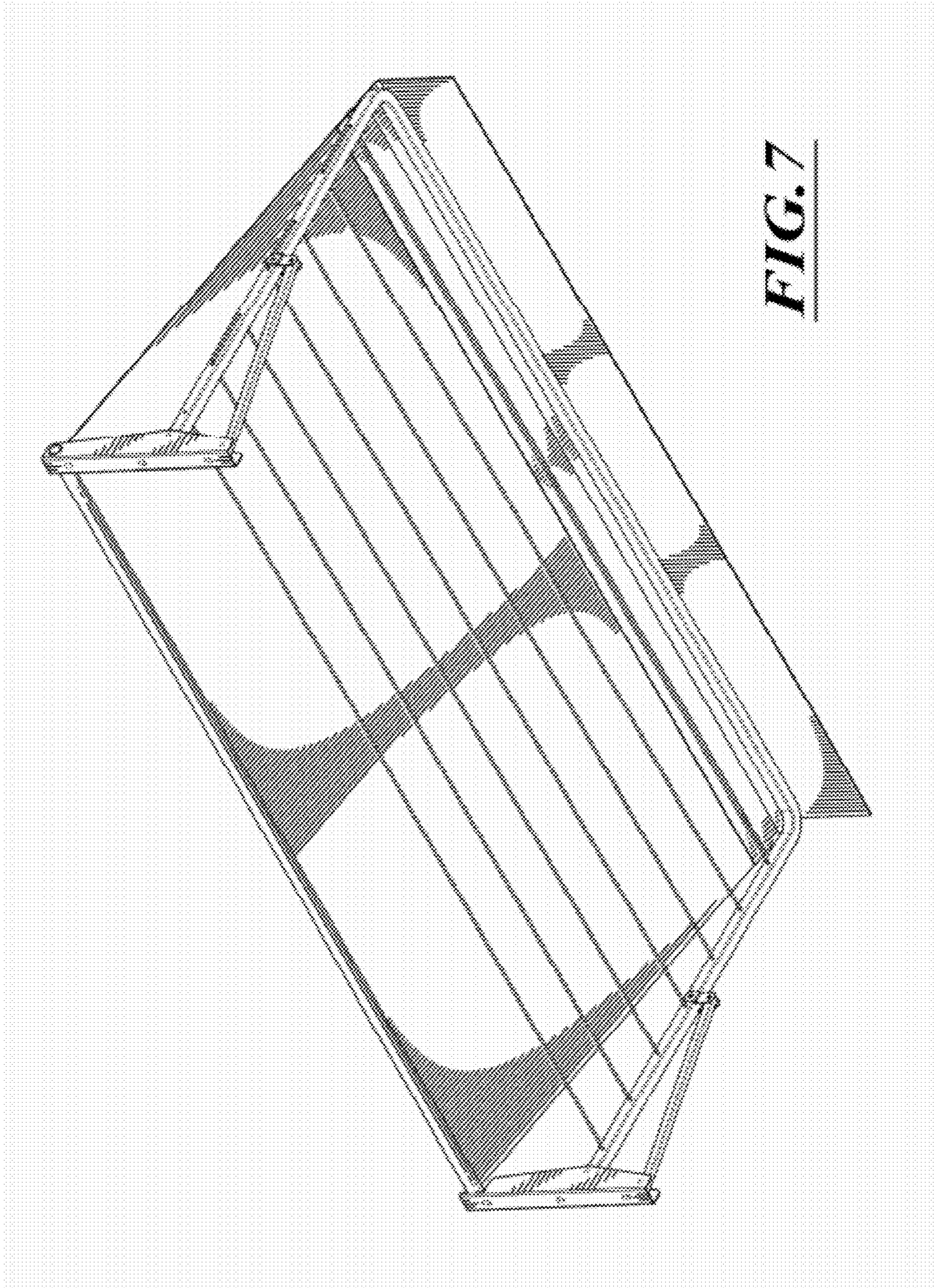


FIG. 6



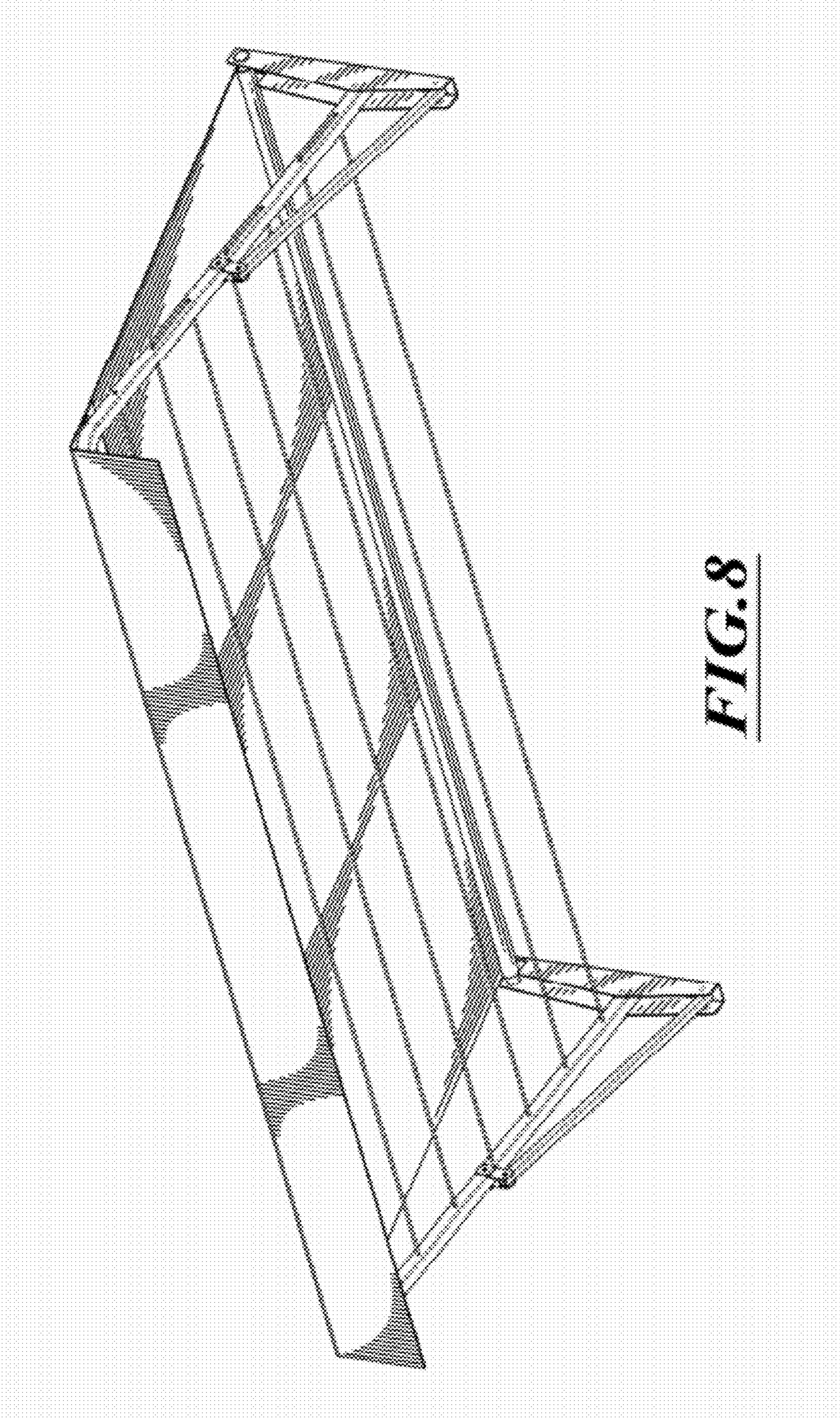


FIG. 8

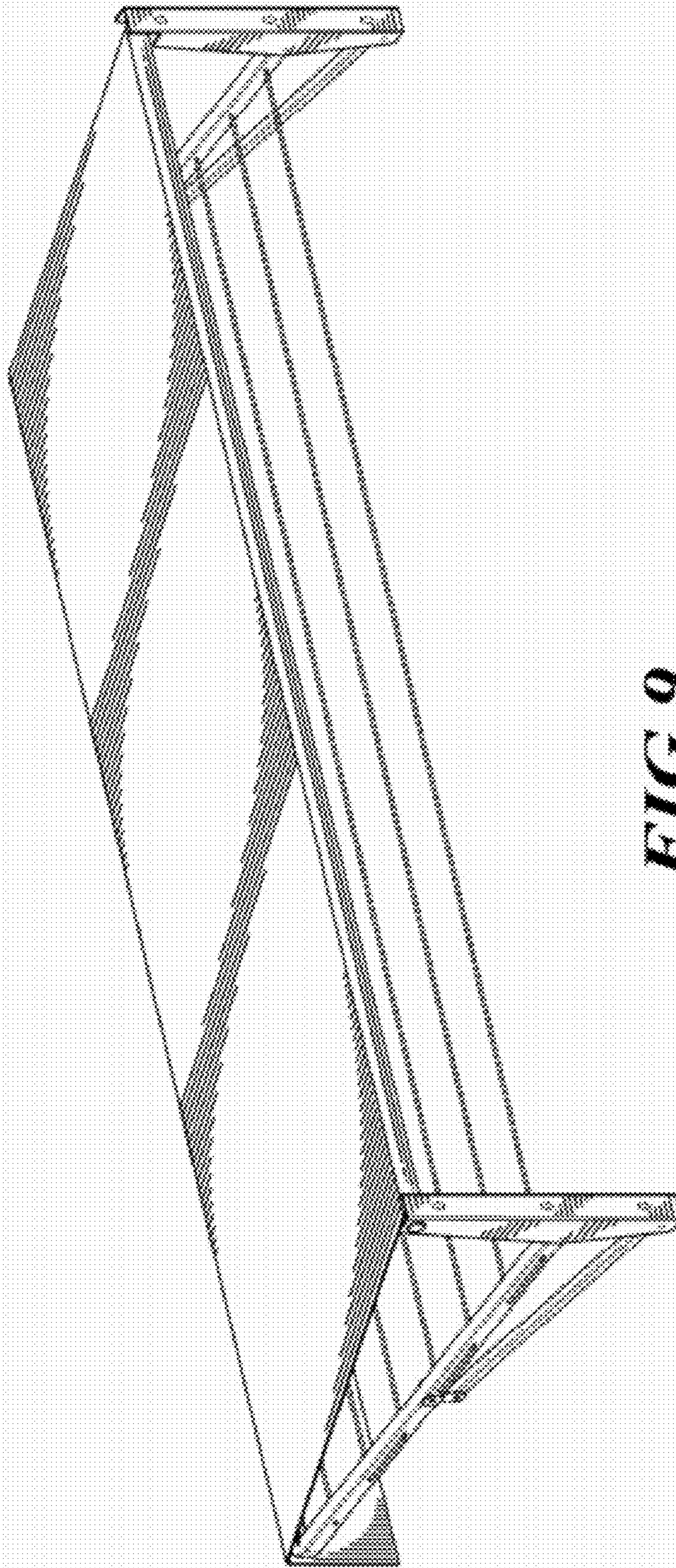


FIG. 9