



US00D659313S

(12) **United States Design Patent**
Shin et al.

(10) **Patent No.:** **US D659,313 S**

(45) **Date of Patent:** **** May 8, 2012**

(54) **VACUUM CLEANER**

(75) Inventors: **Hyon Seon Shin**, Gyeonggi-do (KR);
Yong Gyun Ghim, Seoul (KR); **Jee Hoon Shin**, Gyeonggi-do (KR)

(73) Assignee: **LG Electronics Inc.**, Seoul (KR)

(**) Term: **14 Years**

(21) Appl. No.: **29/360,574**

(22) Filed: **Apr. 28, 2010**

(30) **Foreign Application Priority Data**

Nov. 2, 2009 (KR) 30-2009-0048262

(51) **LOC (9) Cl.** **15-05**

(52) **U.S. Cl.** **D32/22**

(58) **Field of Classification Search** D32/15-18,
D32/21-24, 31-34, 38-39; 15/320, 329,
15/340.2, 335, 327, 350, 352, 353, 344, 361,
15/410, 415.1

See application file for complete search history.

(56) **References Cited**

U.S. PATENT DOCUMENTS

D456,964 S * 5/2002 Alford et al. D32/31
D488,897 S * 4/2004 Leyden D32/32
D516,760 S * 3/2006 Choi D32/22
D518,612 S * 4/2006 Parr et al. D32/31

D529,246 S * 9/2006 Downey D32/31
D529,672 S * 10/2006 Downey D32/31
D535,070 S * 1/2007 Shin D32/22
D535,792 S * 1/2007 Choi D32/22
D565,815 S * 4/2008 Dyson et al. D32/22
D570,561 S * 6/2008 Dyson et al. D32/22
D573,759 S * 7/2008 Konno et al. D32/22
D587,869 S * 3/2009 Chun et al. D32/22
D587,870 S * 3/2009 Baek et al. D32/22
D610,317 S * 2/2010 Lee et al. D32/22
D610,318 S * 2/2010 Shin D32/22
D633,264 S * 2/2011 Lee D32/22

* cited by examiner

Primary Examiner — Rosemary K Tarcza

(74) *Attorney, Agent, or Firm* — Morgan, Lewis & Bockius LLP

(57) **CLAIM**

We claim the ornamental design for a vacuum cleaner, as shown and described.

DESCRIPTION

FIG. 1 is a perspective view of a vacuum cleaner showing my new design:

FIG. 2 is a front elevation view thereof;

FIG. 3 is a rear elevation view thereof;

FIG. 4 is a left-side elevation view thereof;

FIG. 5 is a right-side elevation view thereof;

FIG. 6 is a top plan view thereof; and,

FIG. 7 is a bottom plan view thereof.

1 Claim, 4 Drawing Sheets



FIG. 1



FIG. 2

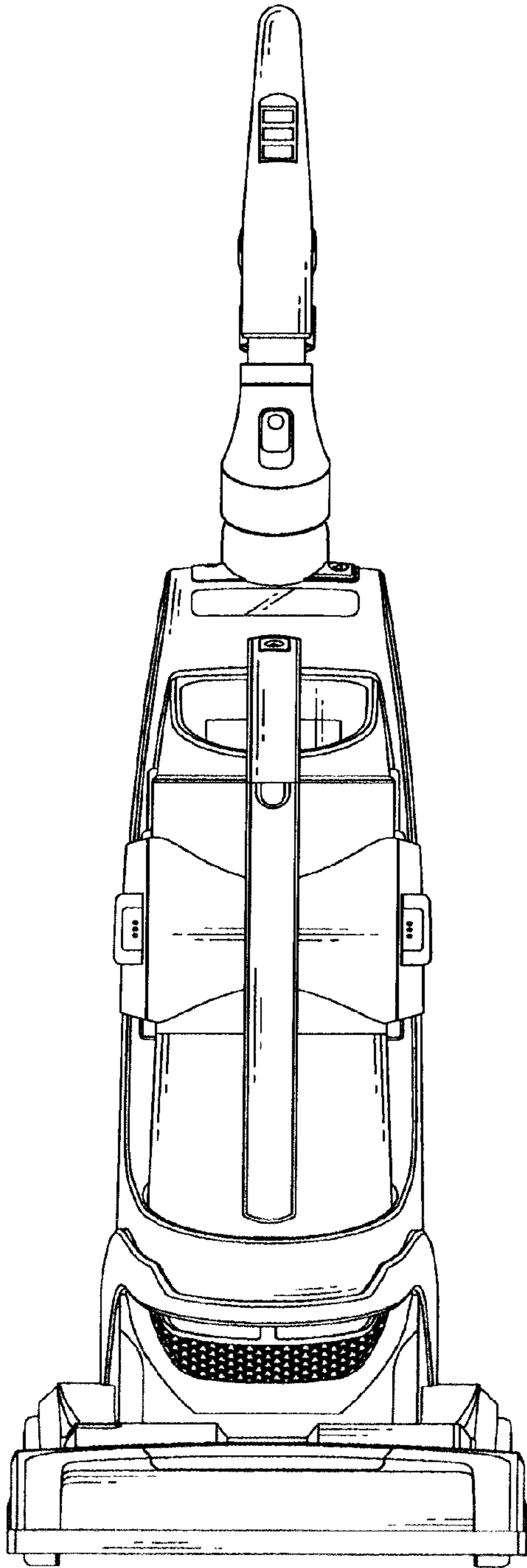


FIG. 3

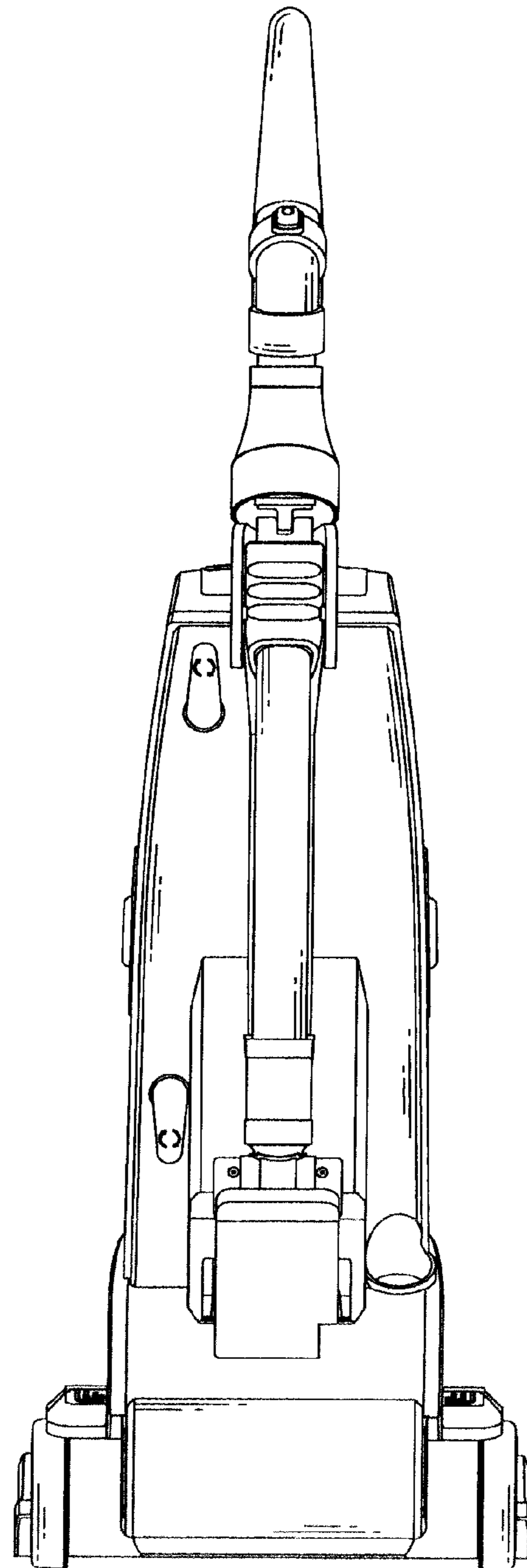


FIG. 4

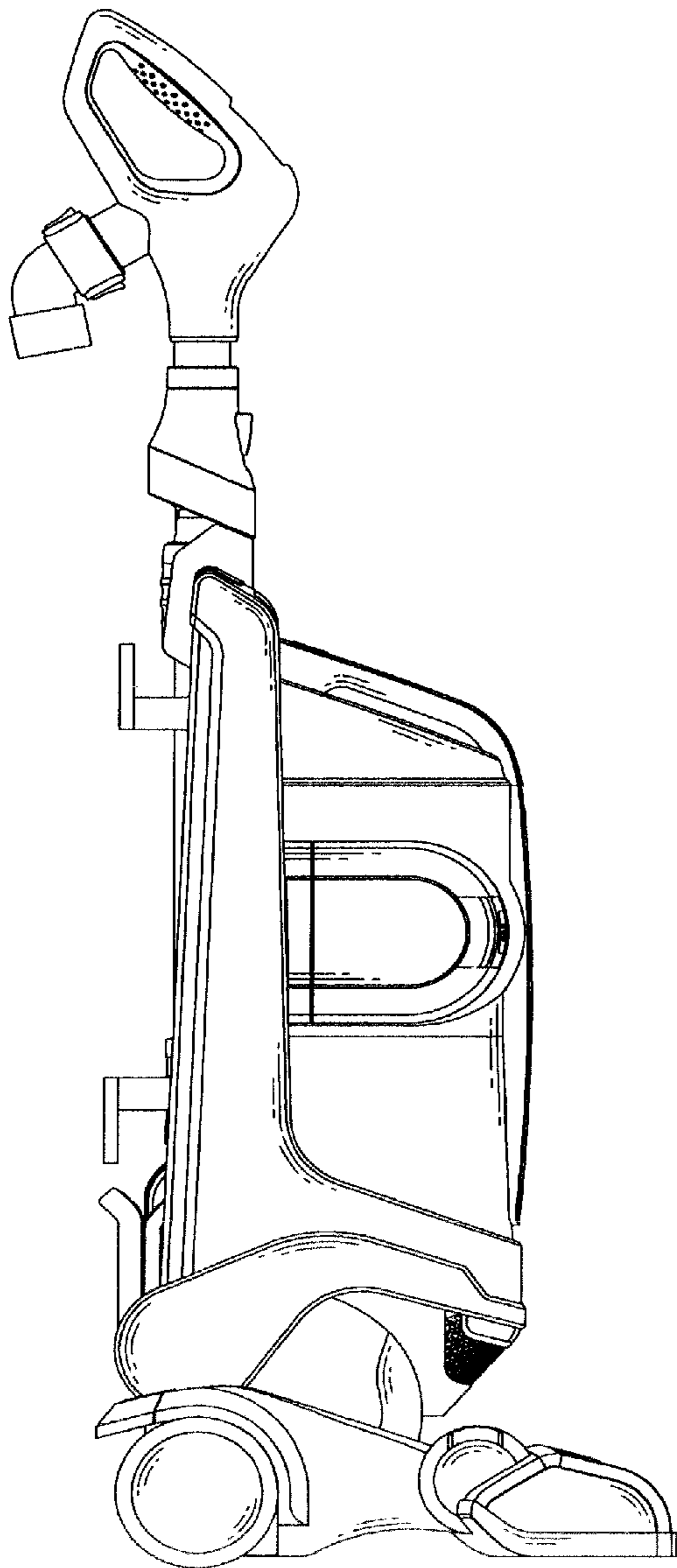


FIG. 5

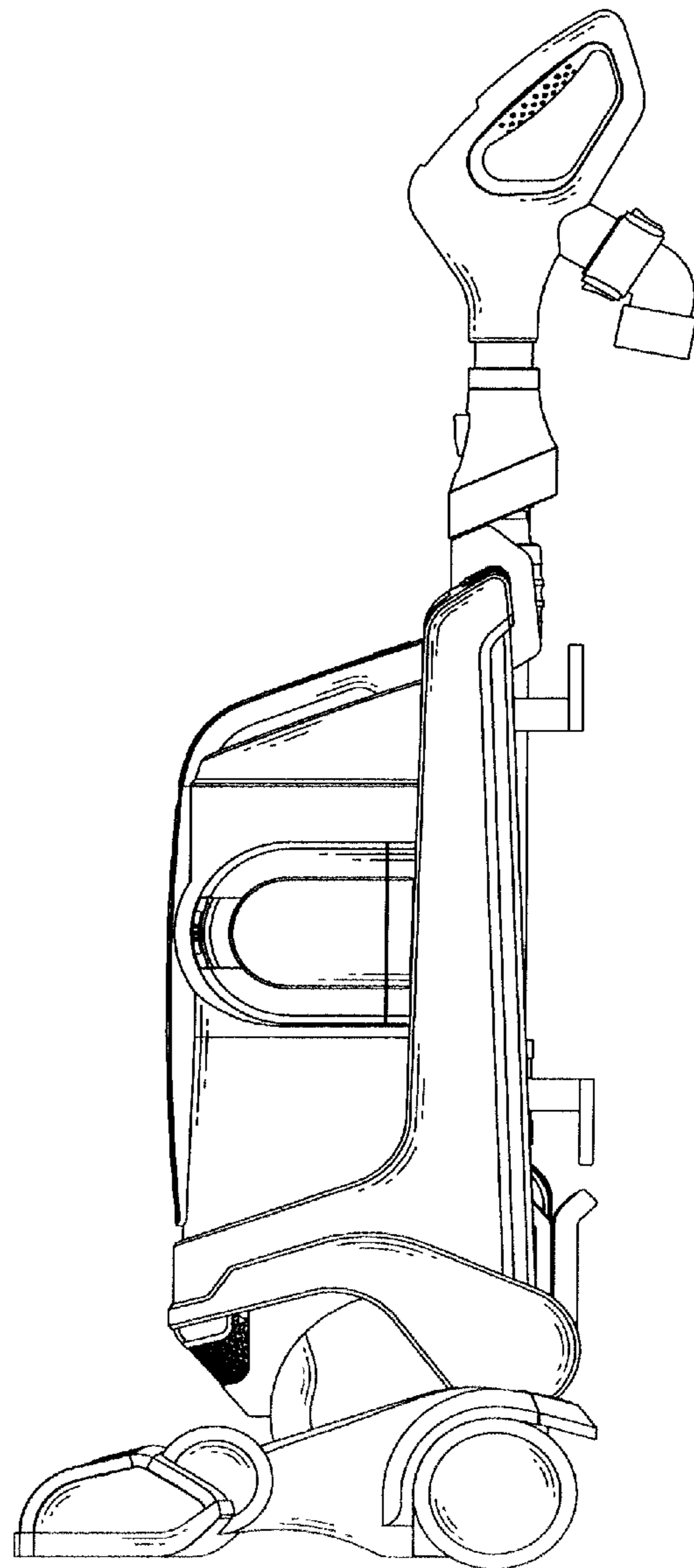


FIG. 6

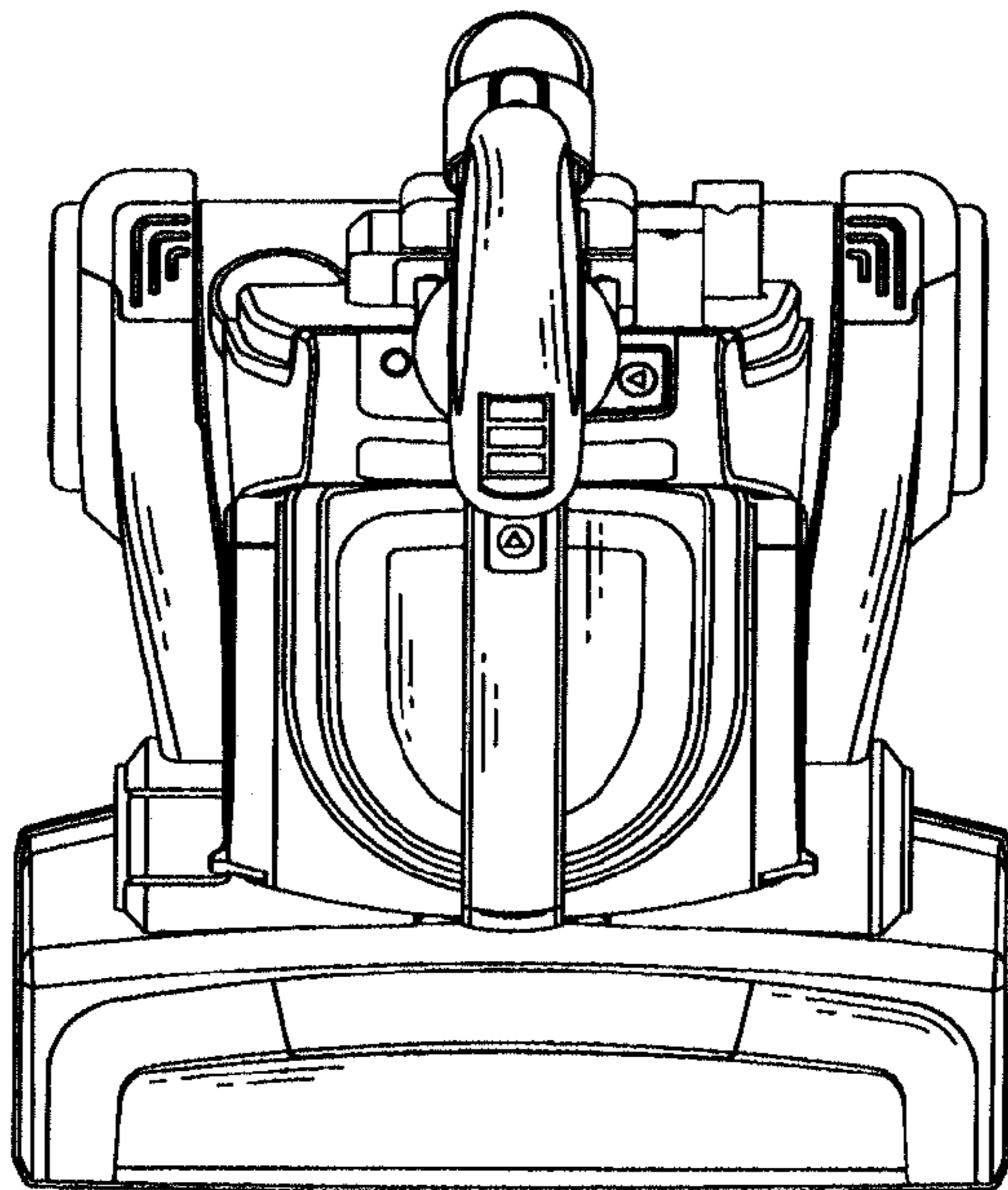


FIG. 7

