



US00D659312S

(12) **United States Design Patent**  
**Shin et al.**

(10) **Patent No.:** **US D659,312 S**

(45) **Date of Patent:** **\*\* May 8, 2012**

(54) **VACUUM CLEANER**

(75) Inventors: **Hyun Seon Shin**, Gyeonggi-do (KR);  
**Yong Gyun Ghim**, Seoul (KR); **Jee Hoon Shin**, Gyeonggi-do (KR)

(73) Assignee: **LG Electronics Inc.**, Seoul (KR)

(\*\*) Term: **14 Years**

(21) Appl. No.: **29/358,067**

(22) Filed: **Mar. 22, 2010**

(30) **Foreign Application Priority Data**

Sep. 24, 2009 (KR) ..... 30-2009-0042346

(51) **LOC (9) Cl.** ..... **15-05**

(52) **U.S. Cl.** ..... **D32/22**

(58) **Field of Classification Search** ..... D32/15-18,  
D32/21-24, 31-34, 38-39; 15/320, 329,  
15/340.2, 335, 327, 350, 352, 353, 344, 361,  
15/363, 410, 415.1

See application file for complete search history.

(56) **References Cited**

**U.S. PATENT DOCUMENTS**

D456,964 S \* 5/2002 Alford et al. .... D32/31  
D516,760 S \* 3/2006 Choi ..... D32/22  
D518,612 S \* 4/2006 Parr et al. .... D32/31  
D529,246 S \* 9/2006 Downey ..... D32/31

D529,672 S \* 10/2006 Downey ..... D32/31  
D535,070 S \* 1/2007 Shin ..... D32/22  
D535,792 S \* 1/2007 Choi ..... D32/22  
D565,815 S \* 4/2008 Dyson et al. .... D32/22  
D570,561 S \* 6/2008 Dyson et al. .... D32/22  
D573,759 S \* 7/2008 Konno et al. .... D32/22  
D587,869 S \* 3/2009 Chun et al. .... D32/22  
D587,870 S \* 3/2009 Baek et al. .... D32/22  
D610,317 S \* 2/2010 Lee et al. .... D32/22  
D610,318 S \* 2/2010 Shin ..... D32/22  
D611,210 S \* 3/2010 Conrad et al. .... D32/31  
D633,264 S \* 2/2011 Lee ..... D32/22

\* cited by examiner

*Primary Examiner* — Rosemary K Tarcza

(74) *Attorney, Agent, or Firm* — Birch, Stewart, Kolasch & Birch, LLP

(57) **CLAIM**

The ornamental design for a vacuum cleaner, as shown and described.

**DESCRIPTION**

FIG. 1 is a top, front, perspective view of a vacuum cleaner showing our new design;

FIG. 2 is a front view thereof;

FIG. 3 is a rear view thereof;

FIG. 4 is a left side view thereof;

FIG. 5 is a right side view thereof;

FIG. 6 is a top plan view thereof; and,

FIG. 7 is a bottom plan view thereof.

**1 Claim, 6 Drawing Sheets**

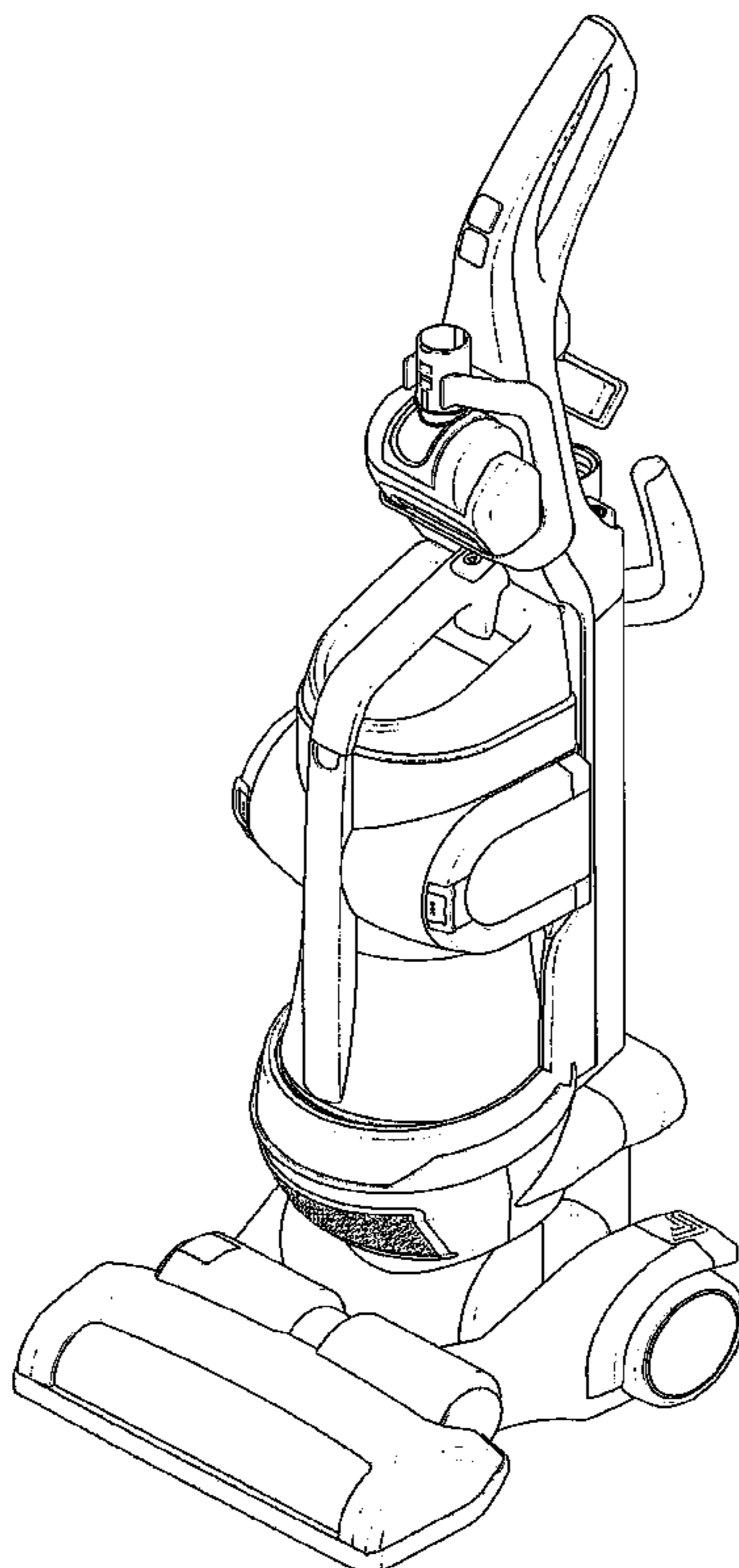


FIG. 1

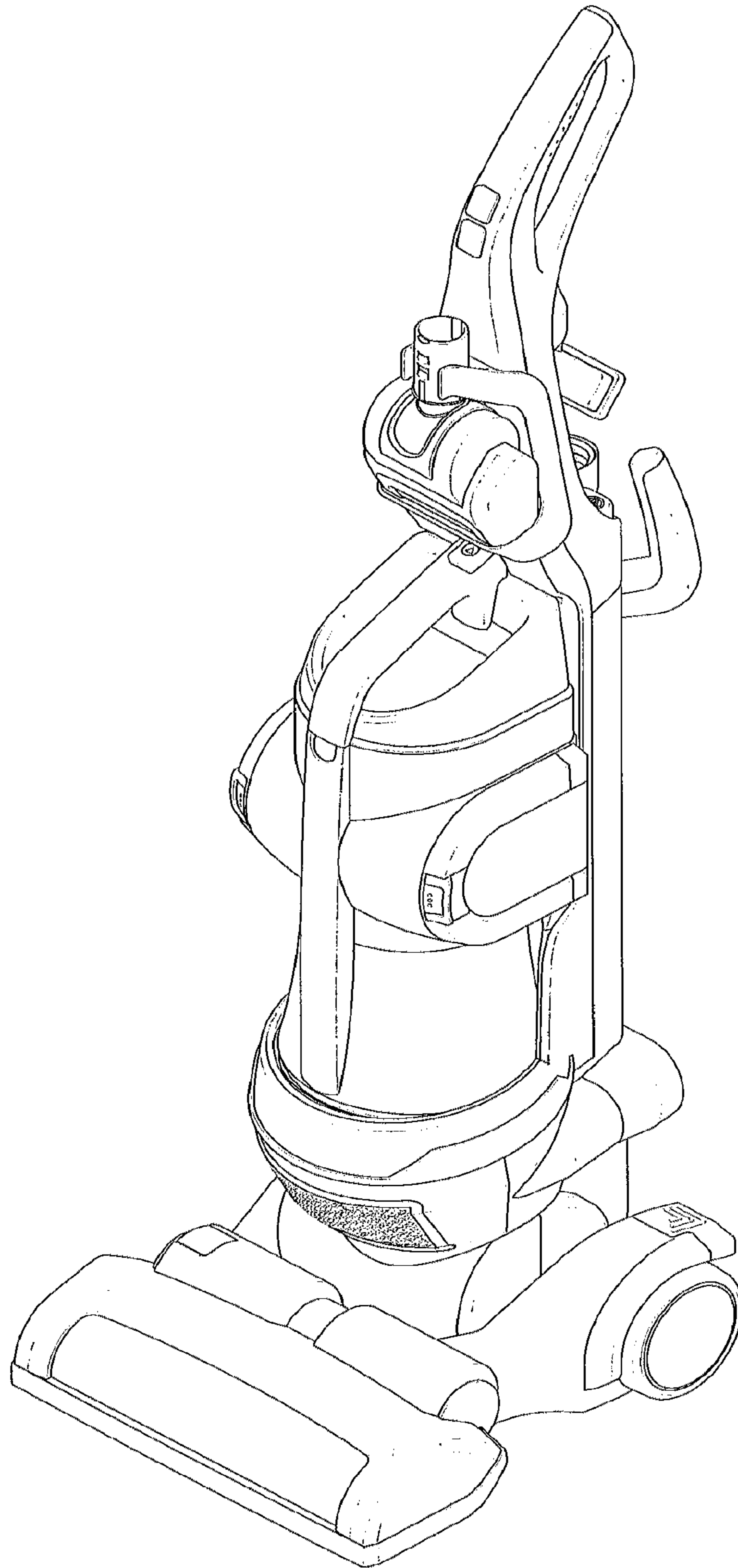


FIG. 2

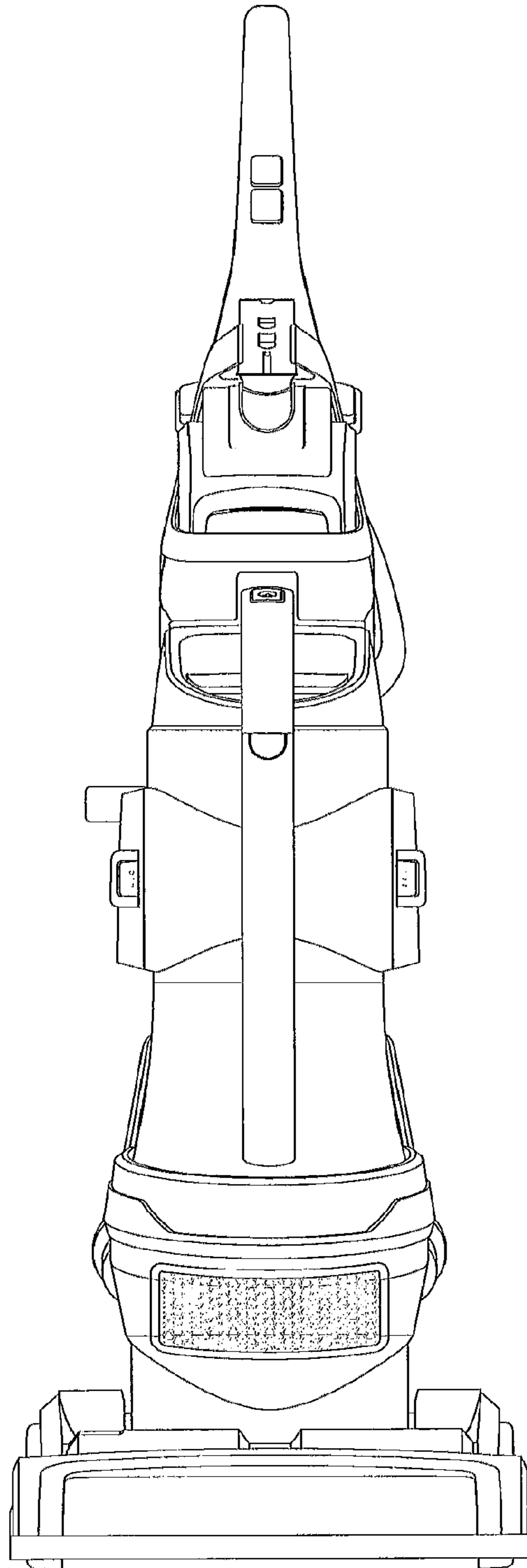


FIG. 3

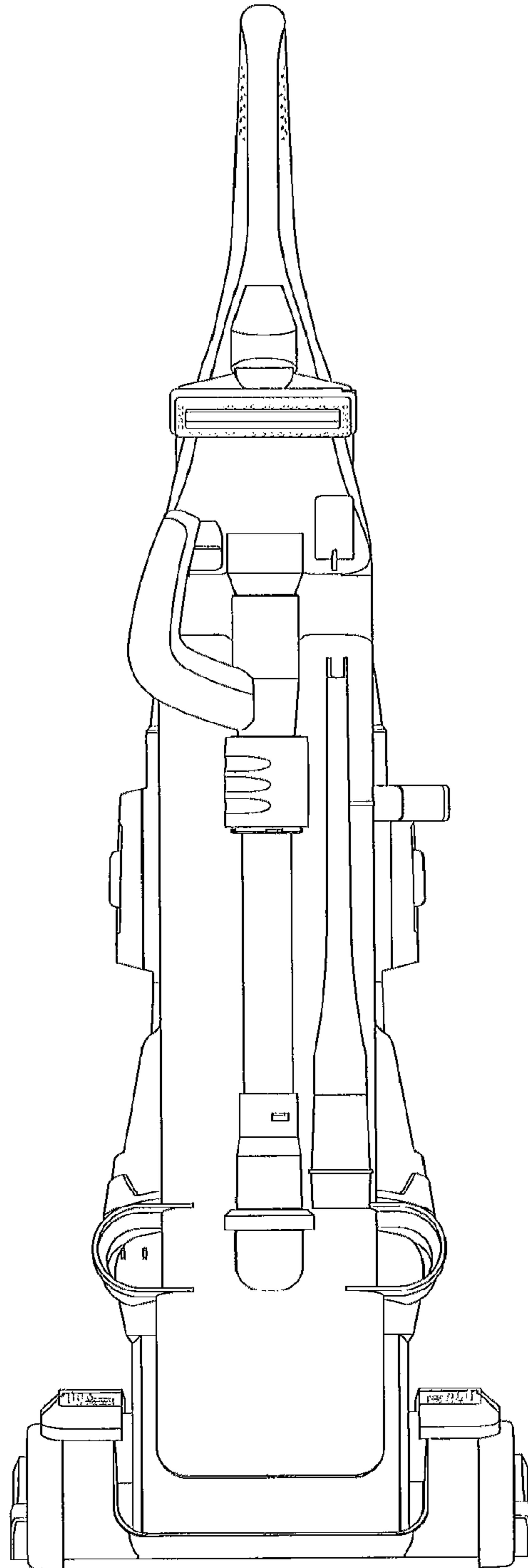


FIG. 4

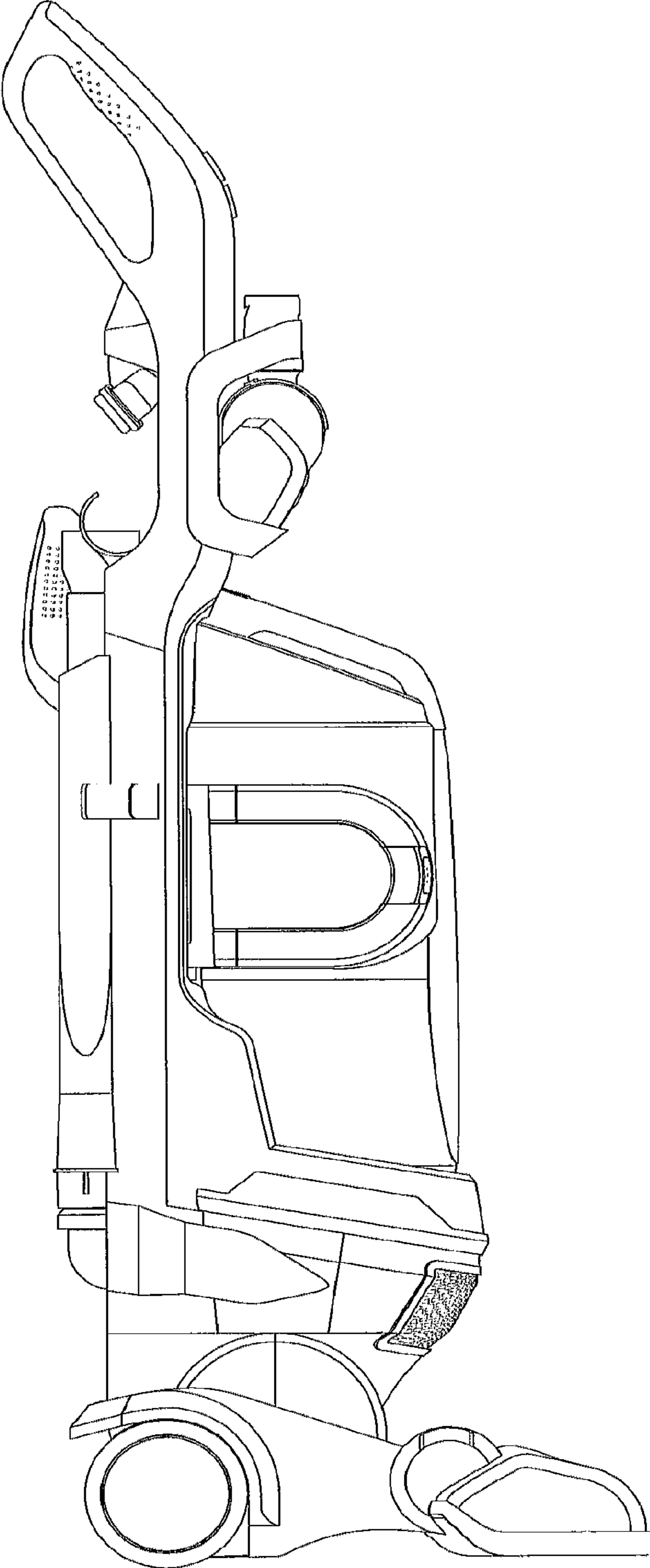




FIG. 5

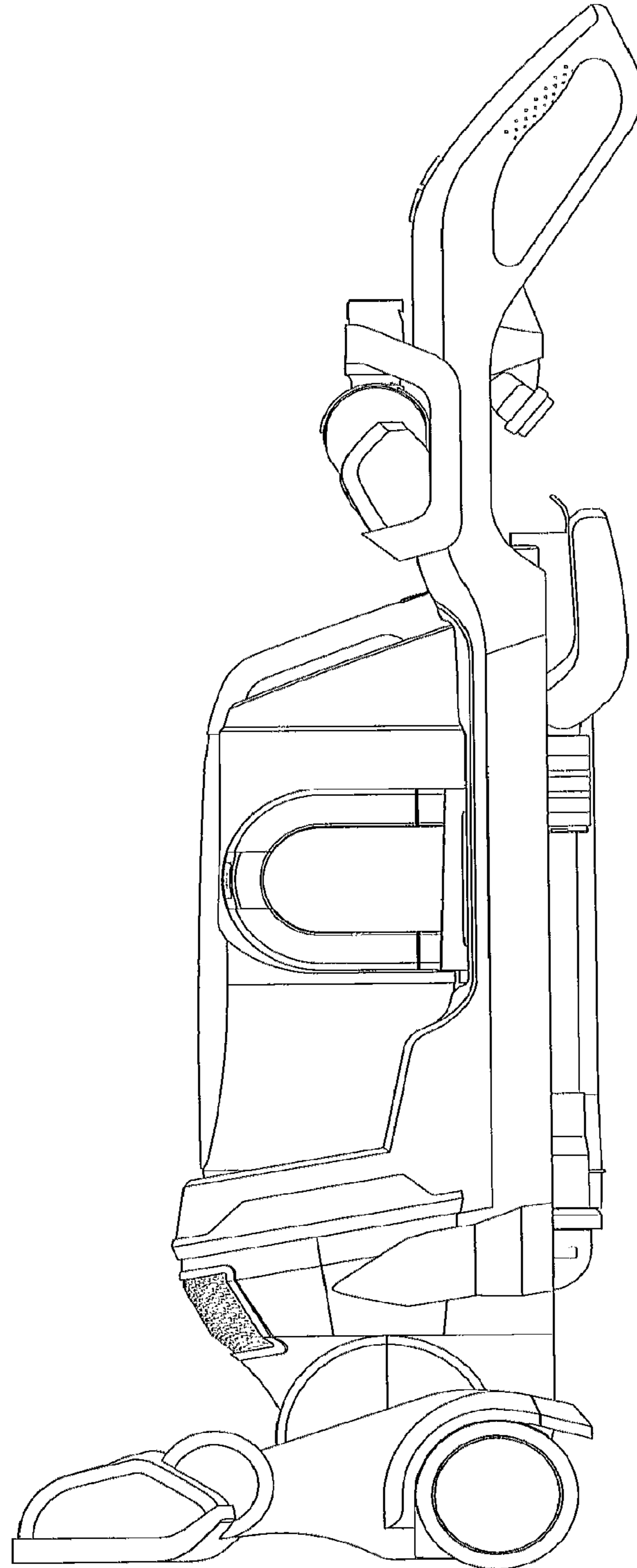


FIG. 6

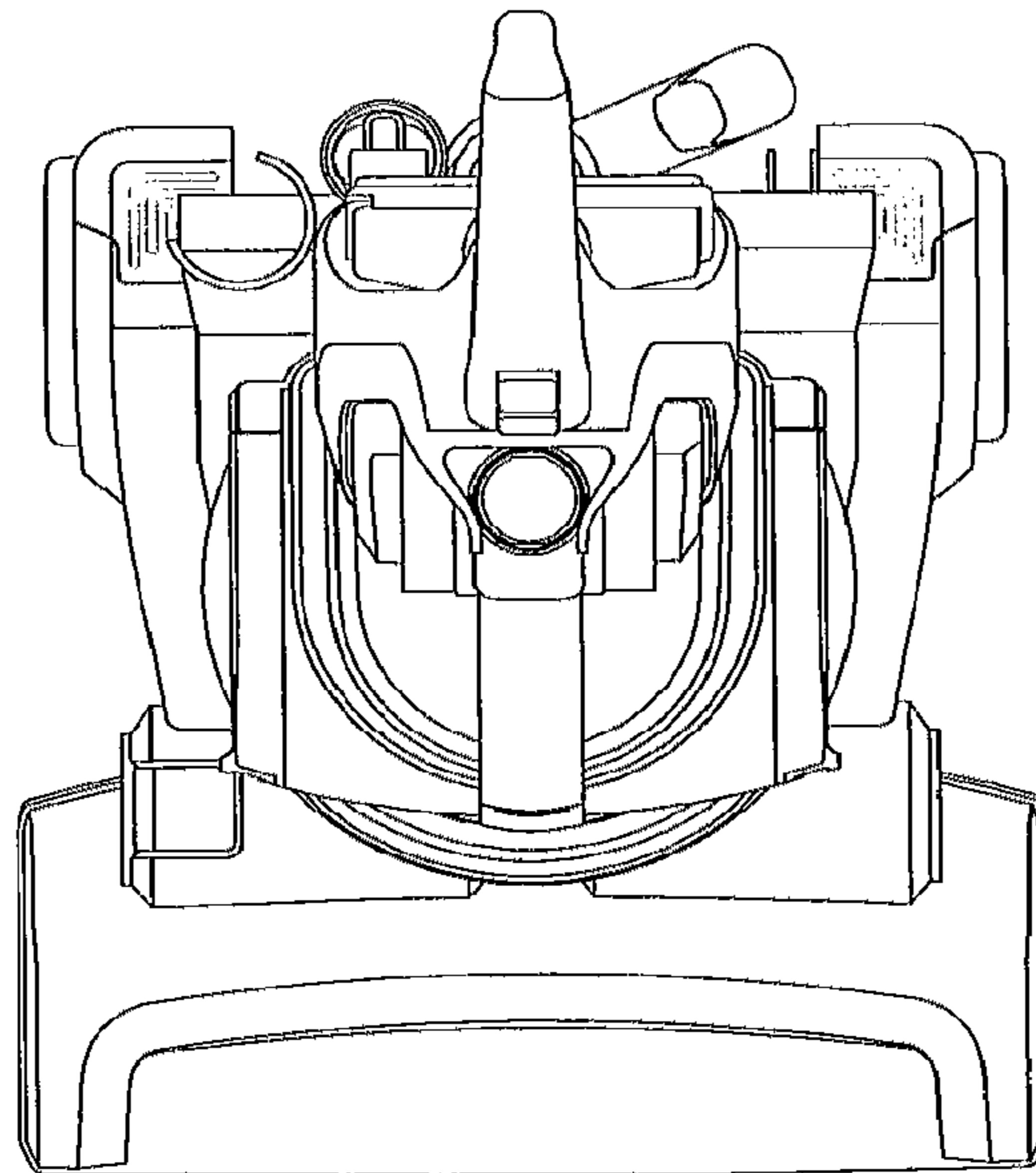


FIG. 7

