



US00D659310S

(12) **United States Design Patent**
Dammkoehler

(10) **Patent No.:** **US D659,310 S**

(45) **Date of Patent:** **** May 8, 2012**

(54) **FLOOR CLEANING MACHINE**

(75) Inventor: **Denis Dammkoehler**, Backnang (DE)

(73) Assignee: **Alfred Kaercher GmbH & Co. KG**,
Winnenden (DE)

(**) Term: **14 Years**

(21) Appl. No.: **29/372,235**

(22) Filed: **Oct. 28, 2010**

(30) **Foreign Application Priority Data**

May 5, 2010 (WO) DM/073 683

(51) **LOC (9) Cl.** **15-05**

(52) **U.S. Cl.** **D32/19**

(58) **Field of Classification Search** D32/1,
D32/15-16, 19-20, 22; 15/49.1, 50.1, 52.1,
15/79.1, 79.2, 78, 82, 98, 320-321, 353

See application file for complete search history.

(56) **References Cited**

U.S. PATENT DOCUMENTS

D166,572 S *	4/1952	Pond	D32/19
D178,848 S *	9/1956	Pond	D32/19
D183,050 S	6/1958	Holt		
D212,859 S	12/1968	Descarries et al.		
D219,348 S	12/1970	Anderson		
D231,246 S *	4/1974	Sundberg	D32/19
D269,557 S *	6/1983	Cook, Jr.	D32/19
4,542,551 A *	9/1985	Phillips	15/49.1
4,590,635 A	5/1986	Tucker et al.		
D296,250 S *	6/1988	Genovese	D32/19
D296,252 S *	6/1988	Genovese	D32/19
D297,778 S	9/1988	Lallerstedt		
D317,668 S *	6/1991	Bolser et al.	D32/19

D321,420 S *	11/1991	Von Vett et al.	D32/19
D341,913 S	11/1993	Swan		
D343,705 S *	1/1994	Gurstein et al.	D32/19
D343,932 S *	2/1994	Wulff et al.	D32/25
D344,163 S *	2/1994	Joines	D32/19
D345,034 S	3/1994	Fitzwater		

(Continued)

OTHER PUBLICATIONS

Extract from catalog of Alfred Kaercher GmbH & Co. KG, "Programme 2006", cover, pp. 178-179, 194 and last page (Dec. 2005).

(Continued)

Primary Examiner — T. Chase Nelson
Assistant Examiner — Kathleen M Sims

(74) *Attorney, Agent, or Firm* — Lipsitz & McAllister, LLC

(57) **CLAIM**

The ornamental design for a floor cleaning machine, as shown and described.

DESCRIPTION

FIG. 1 is a front, top and right side perspective view showing the design;

FIG. 2 is a front, top and left side perspective view showing the design;

FIG. 3 is a front elevational view of the design;

FIG. 4 is a right side elevational view of the design;

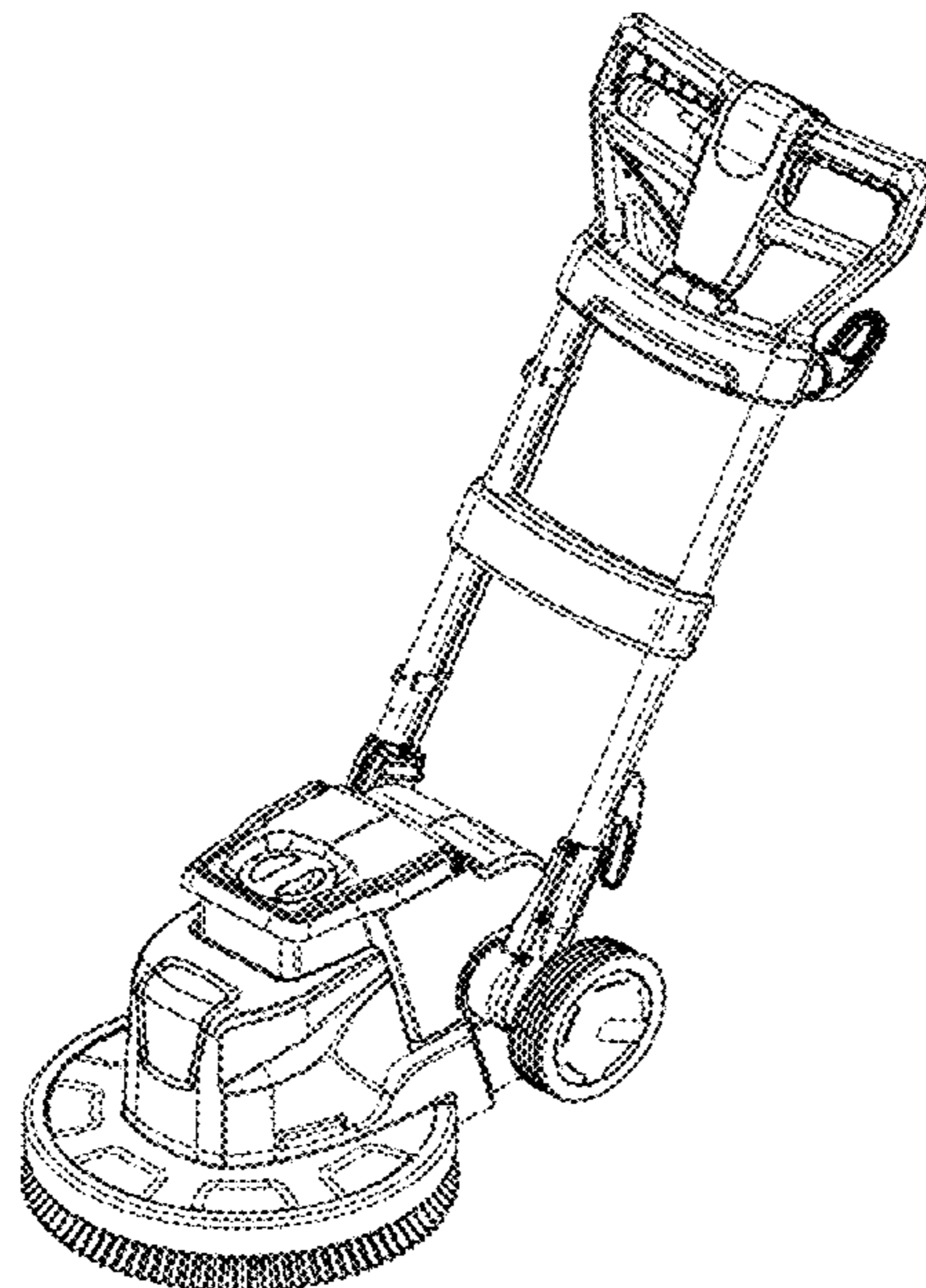
FIG. 5 is a rear elevational view of the design;

FIG. 6 is a left side elevational view of the design; and,

FIG. 7 is a top plan view of the design.

The broken line showing of various elements in the drawings is for the purpose of illustrating mechanical components and forms no part of the claimed design.

1 Claim, 7 Drawing Sheets



US D659,310 S

Page 2

U.S. PATENT DOCUMENTS

5,458,532 A * 10/1995 Cannone 451/353
5,522,114 A * 6/1996 Allison 15/320
D375,591 S * 11/1996 Fryoux D32/15
D405,567 S 2/1999 Kent et al.
5,890,258 A 4/1999 Lee
D425,268 S 5/2000 Morokutti
D525,001 S * 7/2006 Vassanelli D32/15
D531,766 S 11/2006 Ambasz et al.
D584,018 S * 12/2008 Dammkoehler et al. D32/25
D595,909 S * 7/2009 Barnes et al. D32/16

OTHER PUBLICATIONS

Extract from catalog of Alfred Kaercher GmbH & Co. KG, "Programme 2007", cover, pp. 200-201, 218 and last page (Jan. 2007).

Extract from catalog of Alfred Kaercher GmbH & Co. KG, "Programme 2008", cover, pp. 62, 198, 210-211, 213, 232 and last page (Dec. 2007).

Extract from catalog of Alfred Kaercher GmbH & Co. KG, "Programme 2009 Kaercher Professional Commercial", cover, pp. 134, 146, 150-153 and last page (Mar. 2009).

Extract from catalog of Alfred Kaercher GmbH & Co. KG, "Programme 2010 Kaercher Professional", cover, pp. 158, 162-165 and last page (Nov. 2009).

Extract from catalog of Alfred Kaercher GmbH & Co. KG, "Programme 2004", cover, pp. 177 and 179, and last page (Feb. 2004).

<http://www.rotowash.net/RS-R3A-R3SPOP.html>, Jan. 4, 2008.

http://www.reinigungsforum.de/review/images/BR_Vario_400.jpg, Jan. 7, 2008.

* cited by examiner

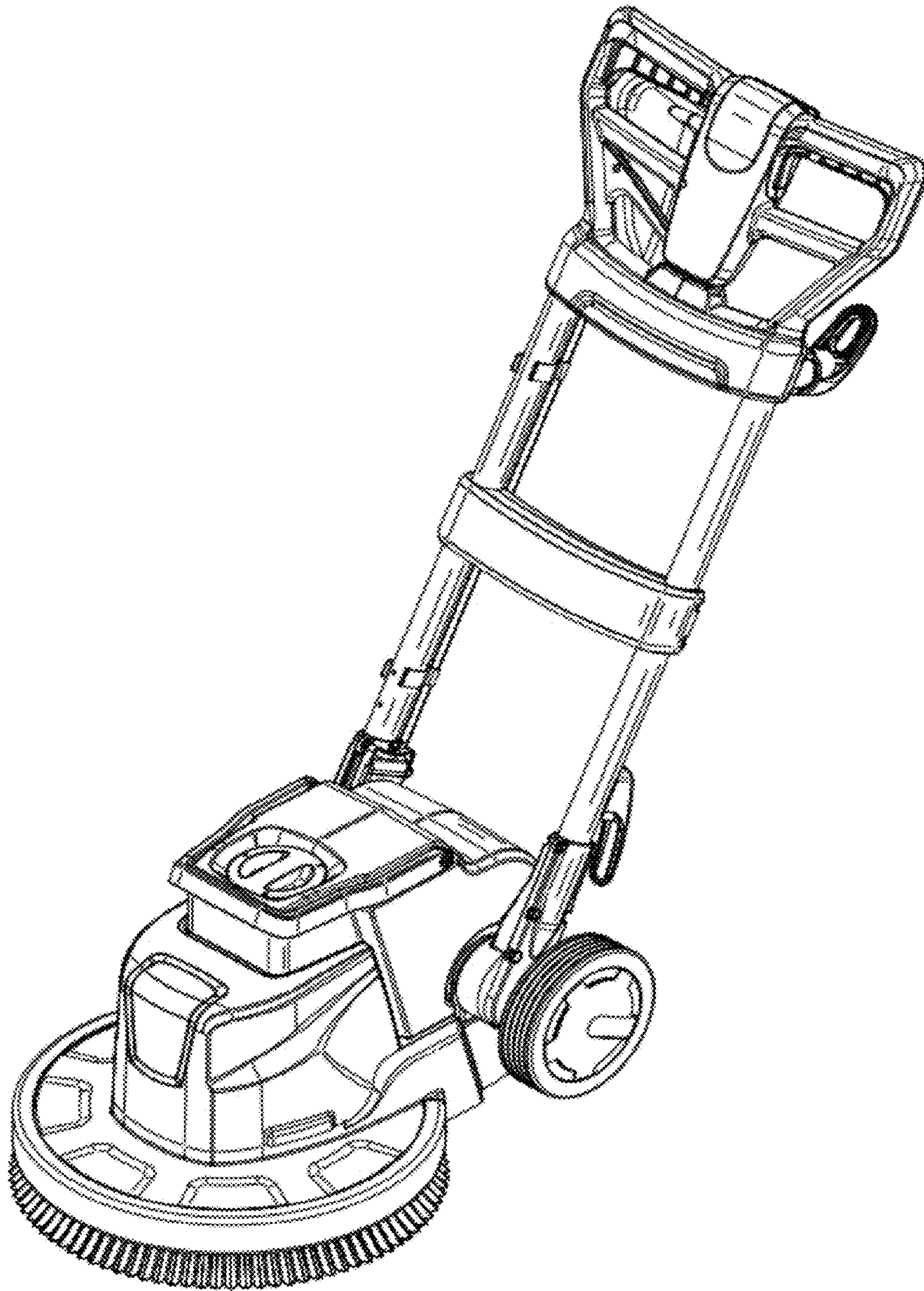


FIG. 1

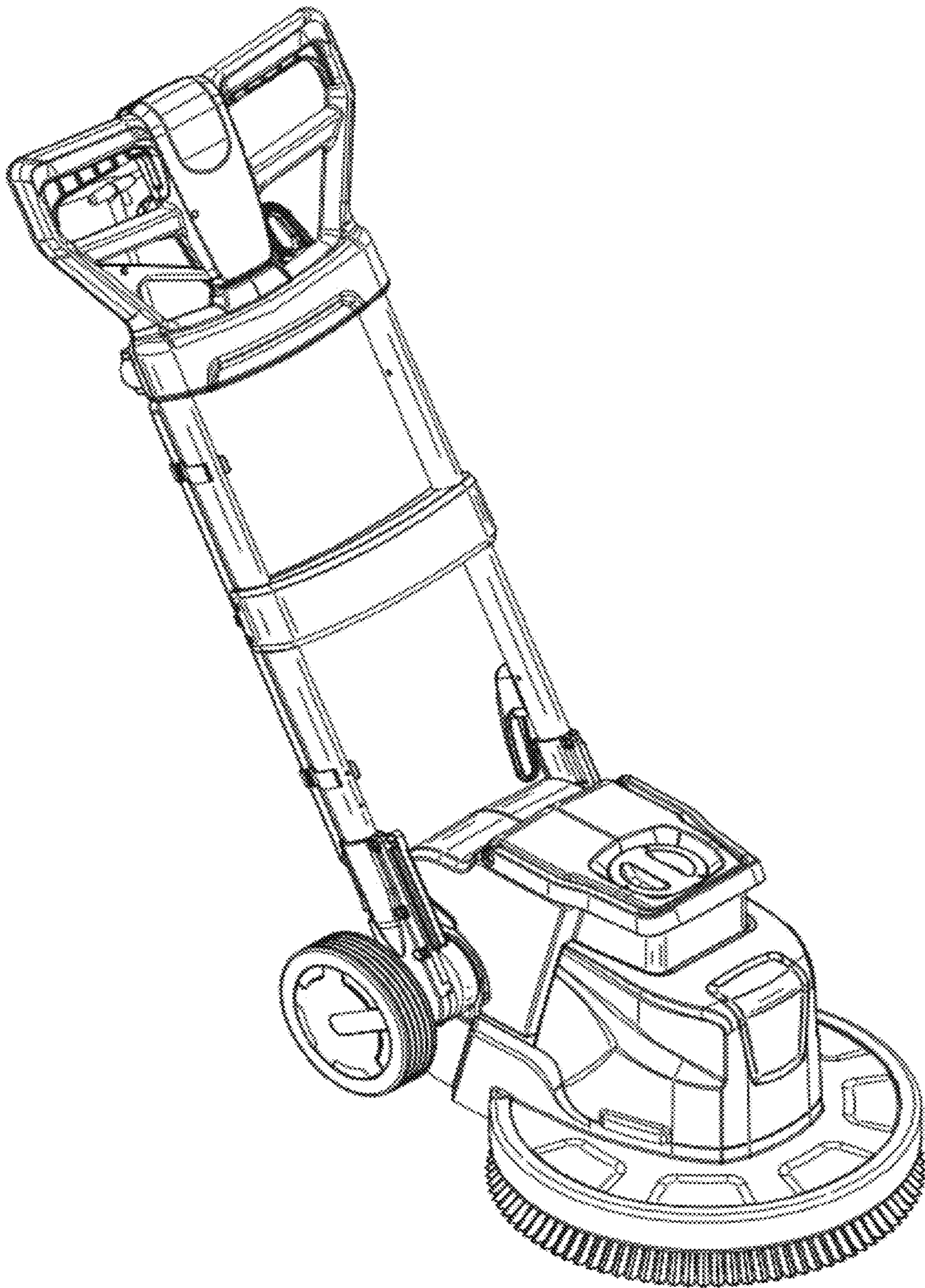


FIG. 2

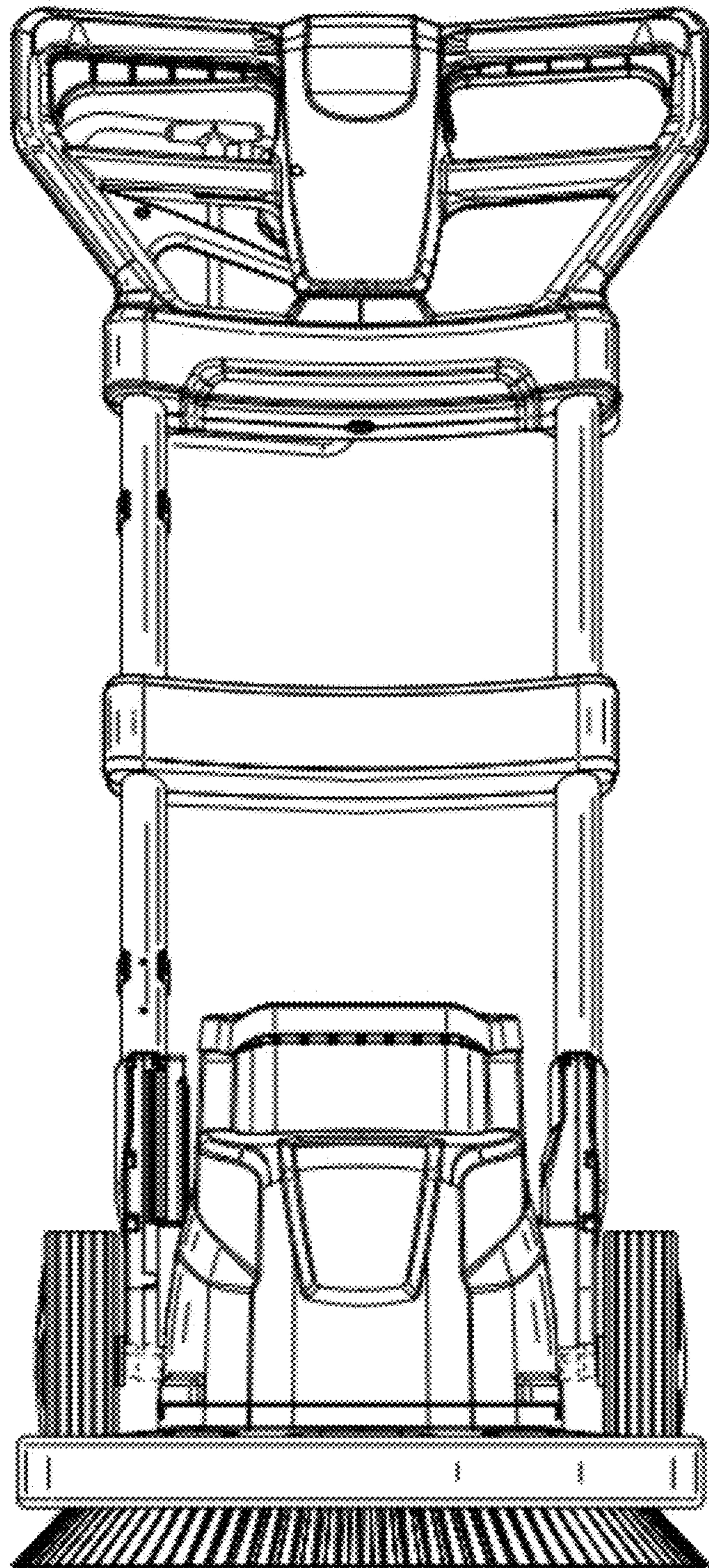


FIG. 3

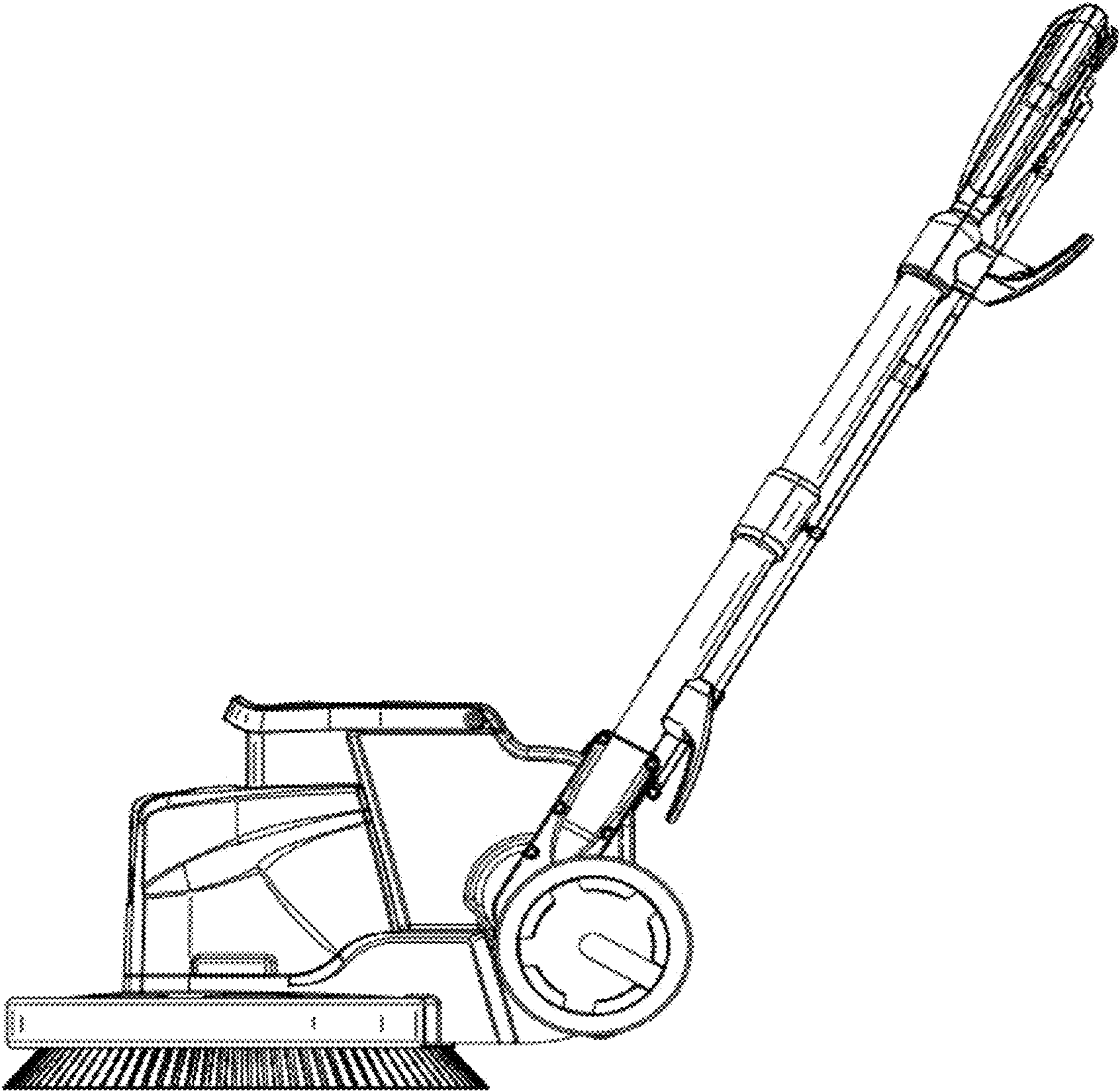


FIG. 4

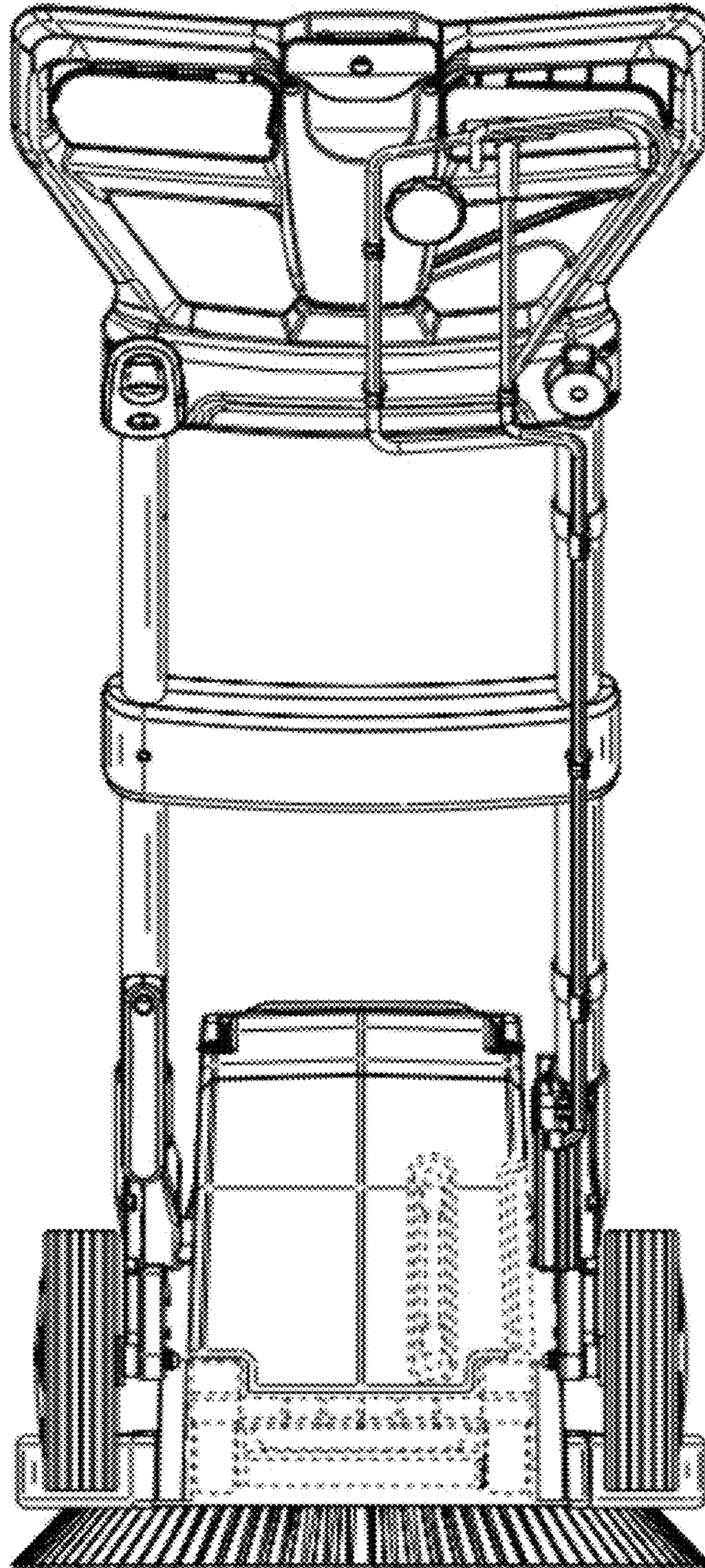


FIG. 5

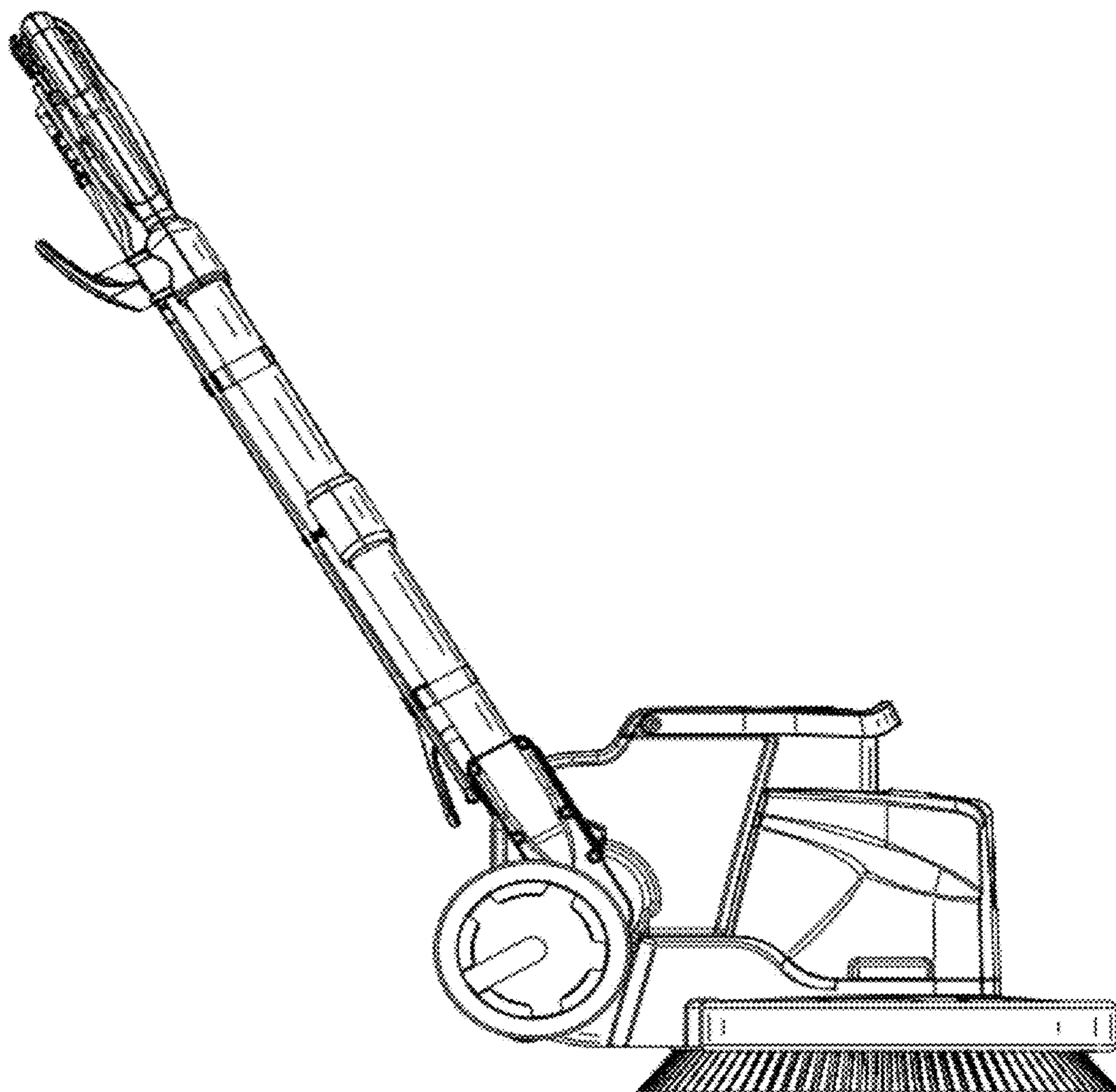


FIG. 6

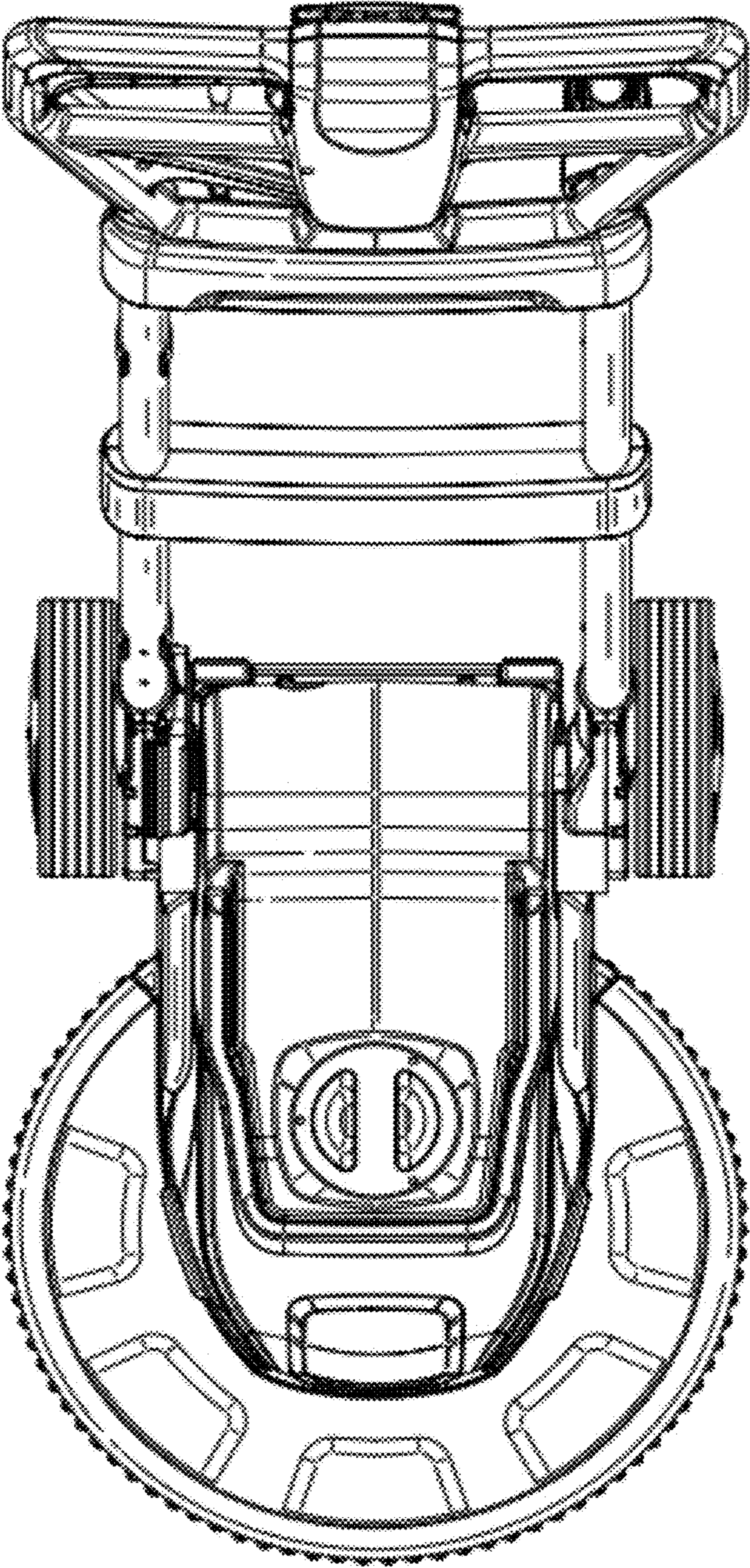


FIG. 7