



US00D659308S

(12) **United States Design Patent**
Dammkoehler

(10) **Patent No.:** **US D659,308 S**

(45) **Date of Patent:** **** May 8, 2012**

(54) **FLOOR CLEANING MACHINE**

(75) Inventor: **Denis Dammkoehler**, Backnang (DE)

(73) Assignee: **Alfred Kaercher GmbH & Co. KG**,
Winnenden (DE)

(**) Term: **14 Years**

(21) Appl. No.: **29/370,377**

(22) Filed: **Jul. 7, 2010**

(30) **Foreign Application Priority Data**

Jan. 12, 2010 (WO) DM/073 008

(51) **LOC (9) Cl.** **15-05**

(52) **U.S. Cl.** **D32/16**

(58) **Field of Classification Search** D32/1,
D32/15-18, 21; 15/49.1, 50.1, 320-323,
15/353; 280/474; 414/918

See application file for complete search history.

(56) **References Cited**

U.S. PATENT DOCUMENTS

D202,170	S *	9/1965	Little et al.	D32/16
4,759,094	A	7/1988	Palmer et al.		
4,803,753	A *	2/1989	Palmer	15/320
D364,012	S *	11/1995	Bothun et al.	D32/19
D365,423	S *	12/1995	Bores et al.	D32/16
D369,446	S	4/1996	Smith		
D370,320	S	5/1996	Hachtmann		
5,829,095	A *	11/1998	Legatt et al.	15/412
D406,804	S	3/1999	Sacco et al.		
5,890,258	A *	4/1999	Lee	15/320
D417,045	S *	11/1999	Dziersk et al.	D32/16
6,427,285	B1 *	8/2002	Legatt et al.	15/320
6,585,827	B2 *	7/2003	Field et al.	134/6
6,648,177	B2 *	11/2003	Burger	222/108
D510,896	S	10/2005	Hoelzel et al.		

7,055,201	B2 *	6/2006	Buchegger et al.	15/49.1
7,059,004	B2	6/2006	Mitchell et al.		
D528,254	S	9/2006	Michael et al.		
D536,842	S *	2/2007	Pedlar	D32/16
D536,846	S	2/2007	Pedlar		
D542,988	S *	5/2007	Dammkoehler et al.	D32/16
D544,659	S *	6/2007	Auerswald et al.	D32/16

(Continued)

OTHER PUBLICATIONS

Extract from catalog of Alfred Kaercher GmbH & Co. KG, "Programme 2006", cover, pp. 181-187, 190-193, 195 and last page Dec. 2005).

(Continued)

Primary Examiner — T. Chase Nelson

Assistant Examiner — Kathleen M Sims

(74) *Attorney, Agent, or Firm* — Lipsitz & McAllister, LLC

(57) **CLAIM**

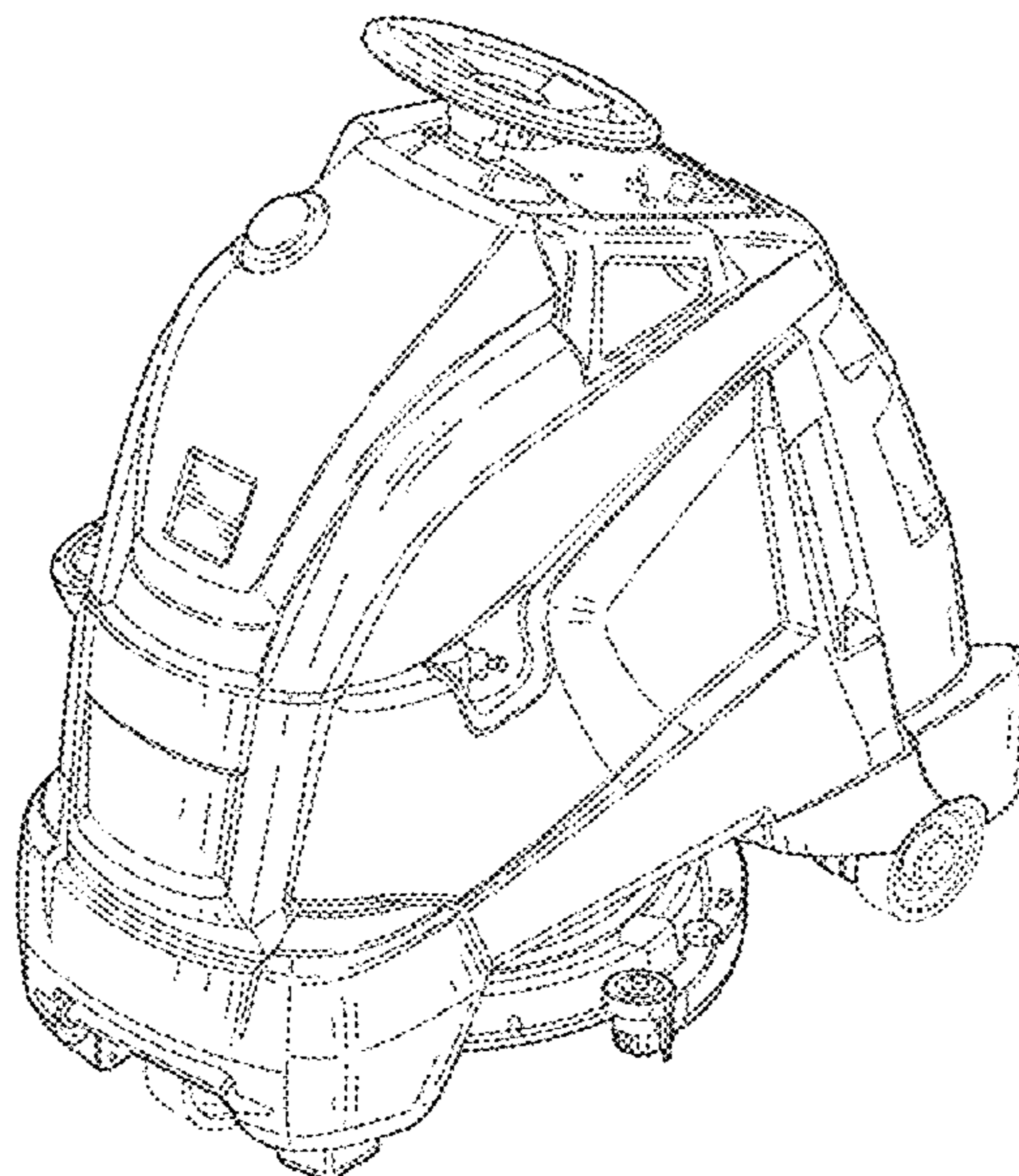
The ornamental design for a floor cleaning machine, as shown and described.

DESCRIPTION

FIG. 1 is a front, top and right side perspective view of a floor cleaning machine showing my new design;
FIG. 2 is a front, top and left side perspective view showing the design;
FIG. 3 is a front elevational view of the design;
FIG. 4 is a right side elevational view of the design;
FIG. 5 is a rear elevational view of the design;
FIG. 6 is a left side elevational view of the design; and,
FIG. 7 is a top plan view of the design.

The broken line showing of various elements in the drawings is for the purpose of illustrating mechanical components and forms no part of the claimed design.

1 Claim, 7 Drawing Sheets



U.S. PATENT DOCUMENTS

D549,405	S	*	8/2007	Dammkoehler	D32/16
D569,057	S	*	5/2008	Goff	D32/16
D569,773	S		5/2008	Niebuhr		
D571,512	S	*	6/2008	Dammkoehler et al.	D32/15
D593,717	S	*	6/2009	Vernazza	D32/16
D619,516	S		7/2010	Niebuhr		
2002/0073494	A1		6/2002	Stuchlik		
2003/0070249	A1		4/2003	Lehman et al.		
2003/0070252	A1		4/2003	Pedlar et al.		
2005/0081319	A1		4/2005	Legatt		
2005/0132527	A1		6/2005	Pedlar et al.		
2006/0236494	A1		10/2006	Nelson et al.		

OTHER PUBLICATIONS

Extract from catalog of Alfred Kaercher GmbH & Co. KG, "Programme 2003", cleaning apparatus BD 530 and cleaning apparatus BR/BD 750, 3 pages, 2003.

Homepage and "Swipper der Müllsauger Details" of David P. Stummer, www.swipper.at (3 pages), printed Dec. 1, 2006 and Sep. 22, 2006, © 2003.

Homepage and "Glutton" product photo of Albrecht Bertsche, www.berkom.com (3 pages), printed Dec. 1, 2006.

http://www.karchercommercial.com/images/productservices/hw_com.jpg Dec. 14, 2007.

http://www.karchercommercial.com/images/productservices/hds_clasic_hw1.jpg Dec. 14, 2007.

http://www.karchercommercial.com/images/productservices/hds_full_size_sm.jpg Dec. 14, 2007.

Extract from catalog of Alfred Kaercher GmbH & Co. KG, "Catalogue 2001/2002", cover, pp. 20-21, 87 and last page (Jun. 2001).

Extract from catalog of Alfred Kaercher GmbH & Co. KG, "Programme 2002", cover, pp. 38, 48, 50, 52-53, 58 and last page (Feb. 2002).

Extract from catalog of Alfred Kaercher GmbH & Co. KG, "Programme 2003", cover, pp. 12, 46, 52-53, 56, 58, 60-61, 66 and last page (Dec. 2002).

Extract from catalog of Alfred Kaercher GmbH & Co. KG, "Programme 2004", cover, pp. 16, 78-83, 85, 92 and last page (Feb. 2004).

Extract from catalog of Alfred Kaercher GmbH & Co. KG, "Programme 2005", cover, pp. 14, 75, 78-83, 85 and last page (Dec. 2004).

Extract from catalog of Alfred Kaercher GmbH & Co. KG, "Programme 2006", cover, pp. 86-91, 93 and last page (Dec. 2005).

Extract from catalog of Alfred Kaercher GmbH & Co. KG, "Programme 2006", cover, pp. 181-187, 190-193, 195 and last page (Dec. 2005).

Extract from catalog of Alfred Kaercher GmbH & Co. KG, "Programme 2007", cover, pp. 203-211, 219 and last page (Jan. 2007).

Extract from catalog of Alfred Kaercher GmbH & Co. KG, "Programme 2008", cover, pp. 214-222, 224-225, 233 and last page (Dec. 2007).

Extract from catalog of Alfred Kaercher GmbH & Co. KG, "Programme 2009 Kaercher Professional Commercial", cover, pp. 147, 154-165 and last page (Mar. 2009).

Extract from catalog of Alfred Kaercher GmbH & Co. KG, "Programme 2010 Kaercher Professional", cover, pp. 159, 166-177 and last page (Nov. 2009).

U.S. Appl. No. 29/372,933, filed Feb. 4, 2011, Dammkoehler.

U.S. Appl. No. 29/372,934, filed Feb. 4, 2011, Dammkoehler.

* cited by examiner

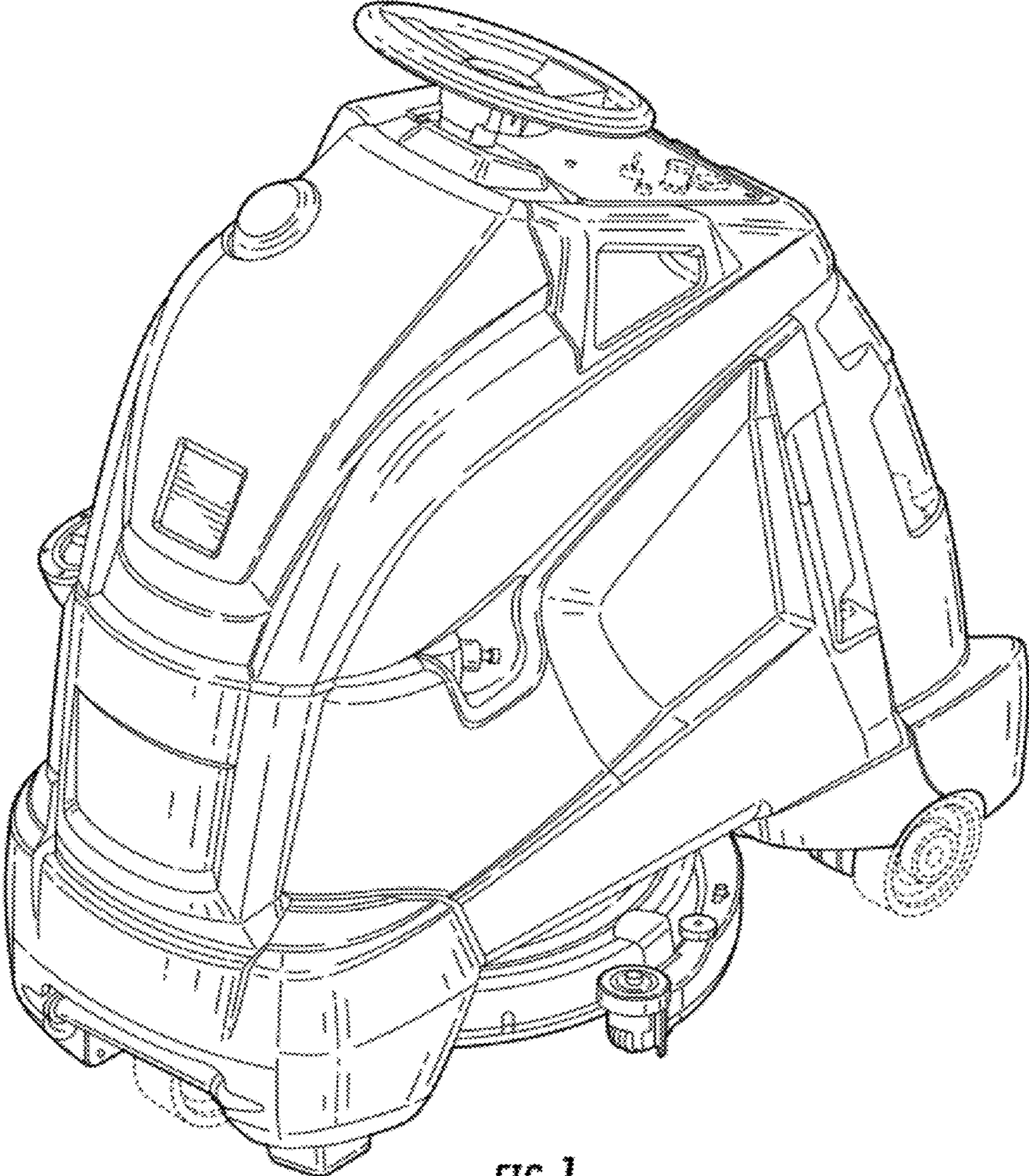


FIG. 1

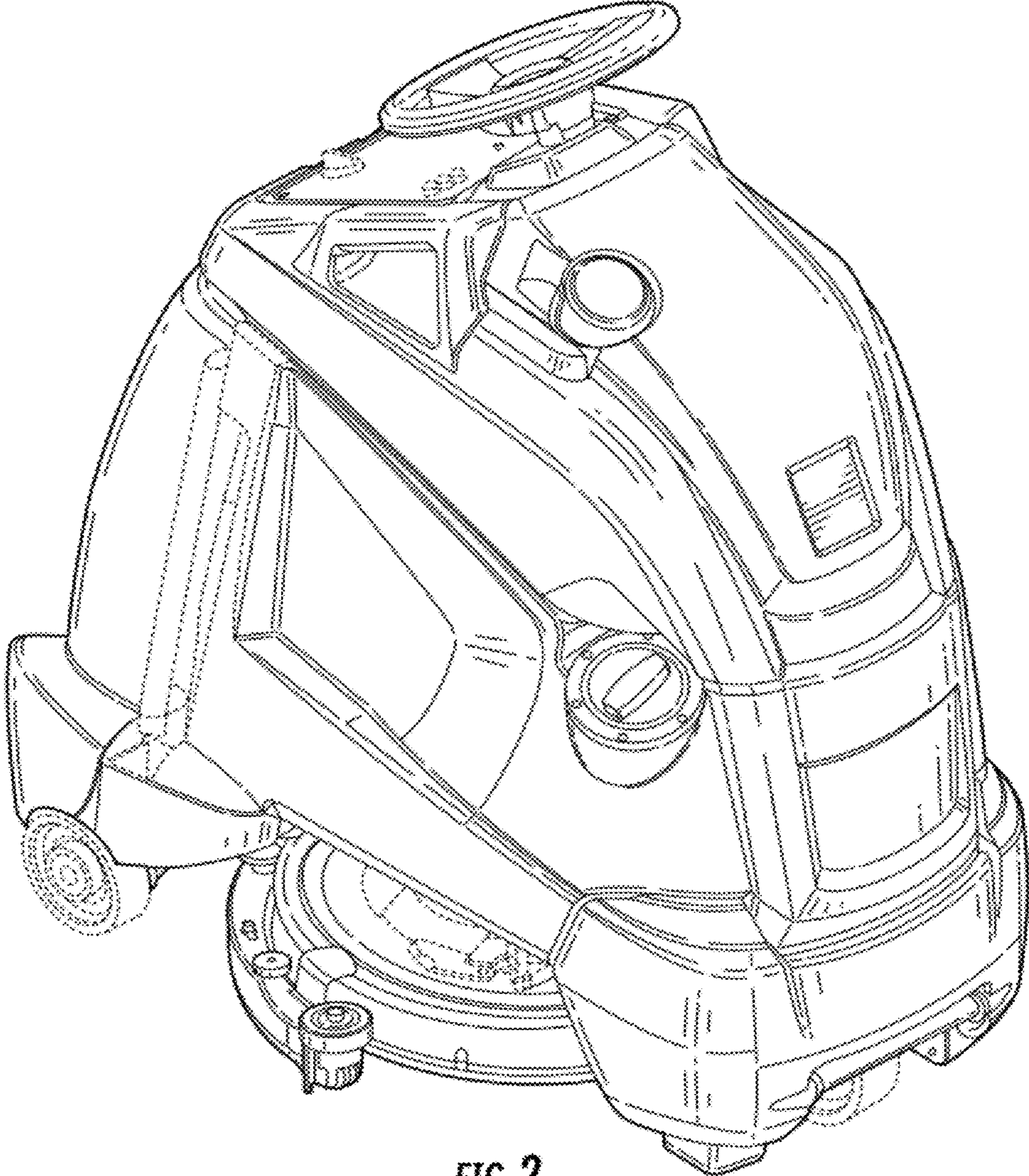


FIG. 2

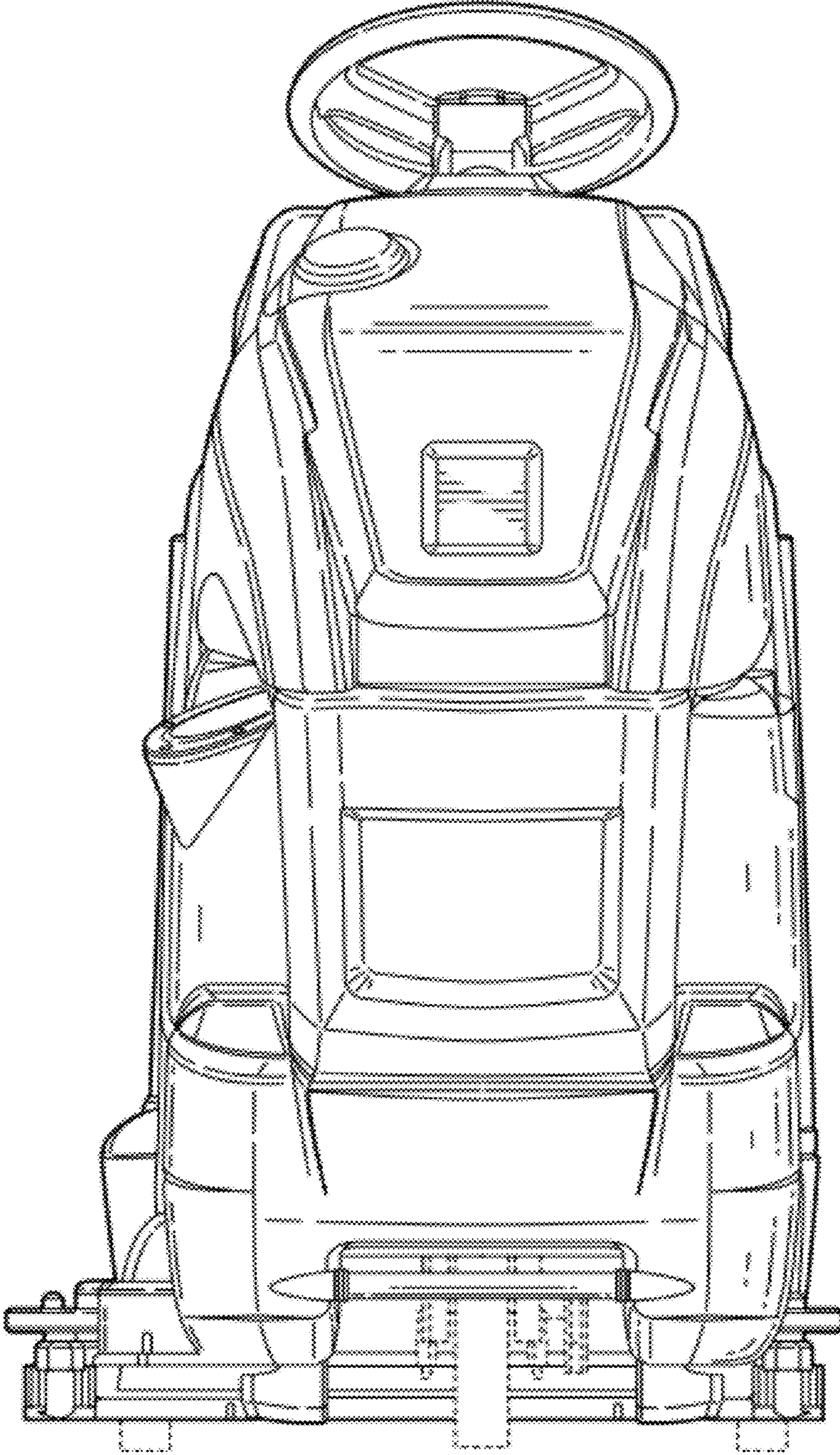


FIG. 3

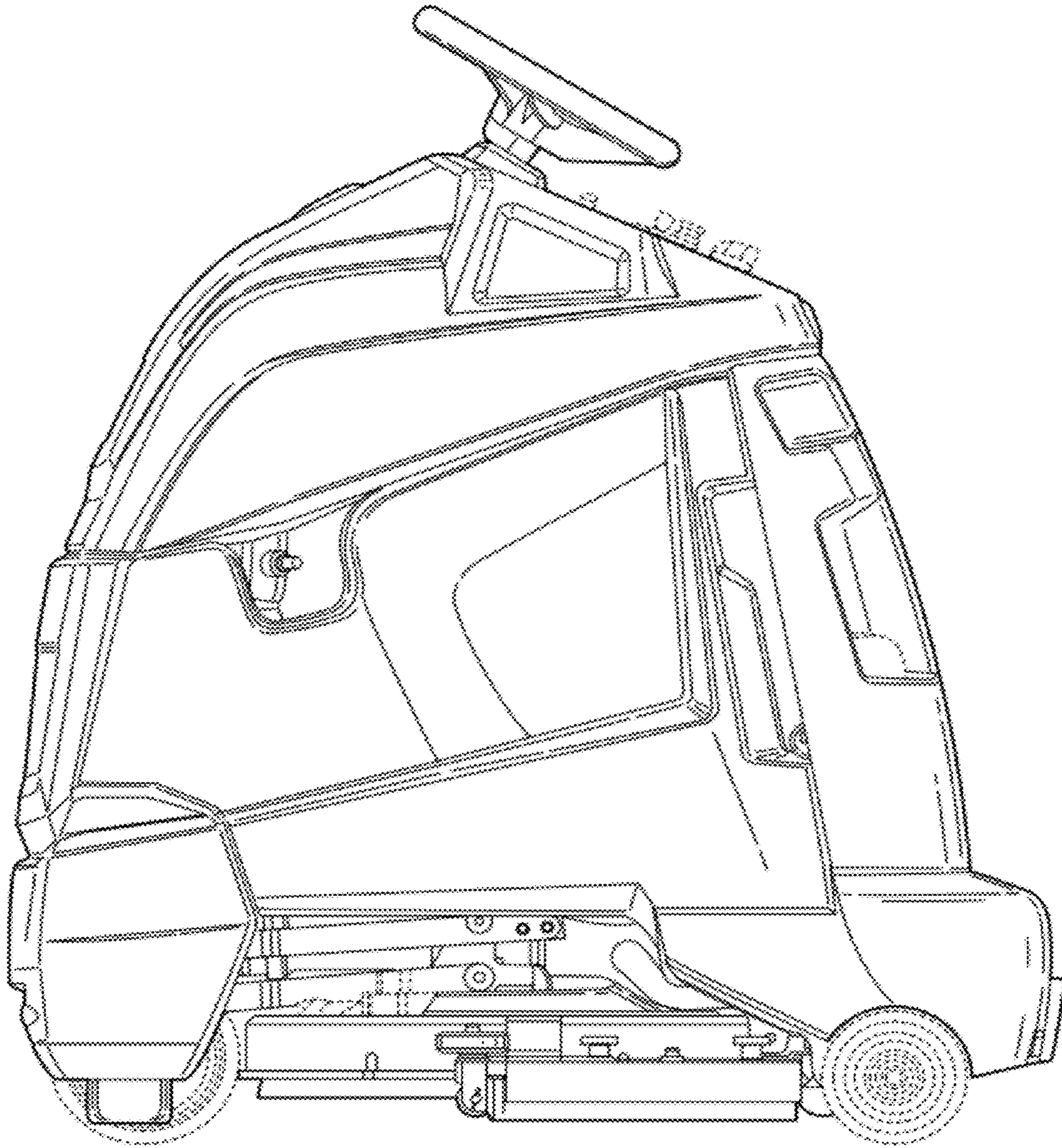


FIG. 4

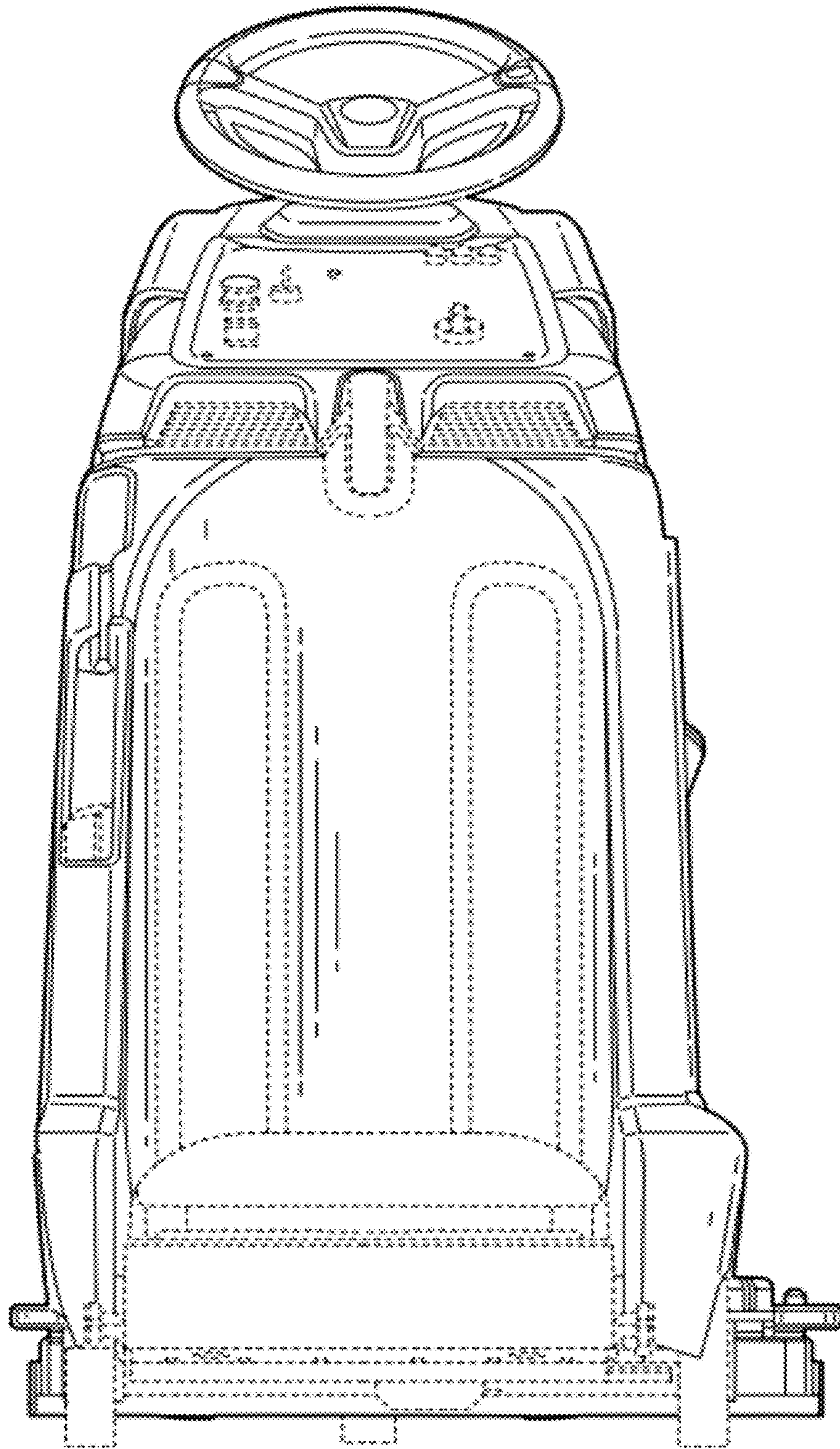


FIG. 5

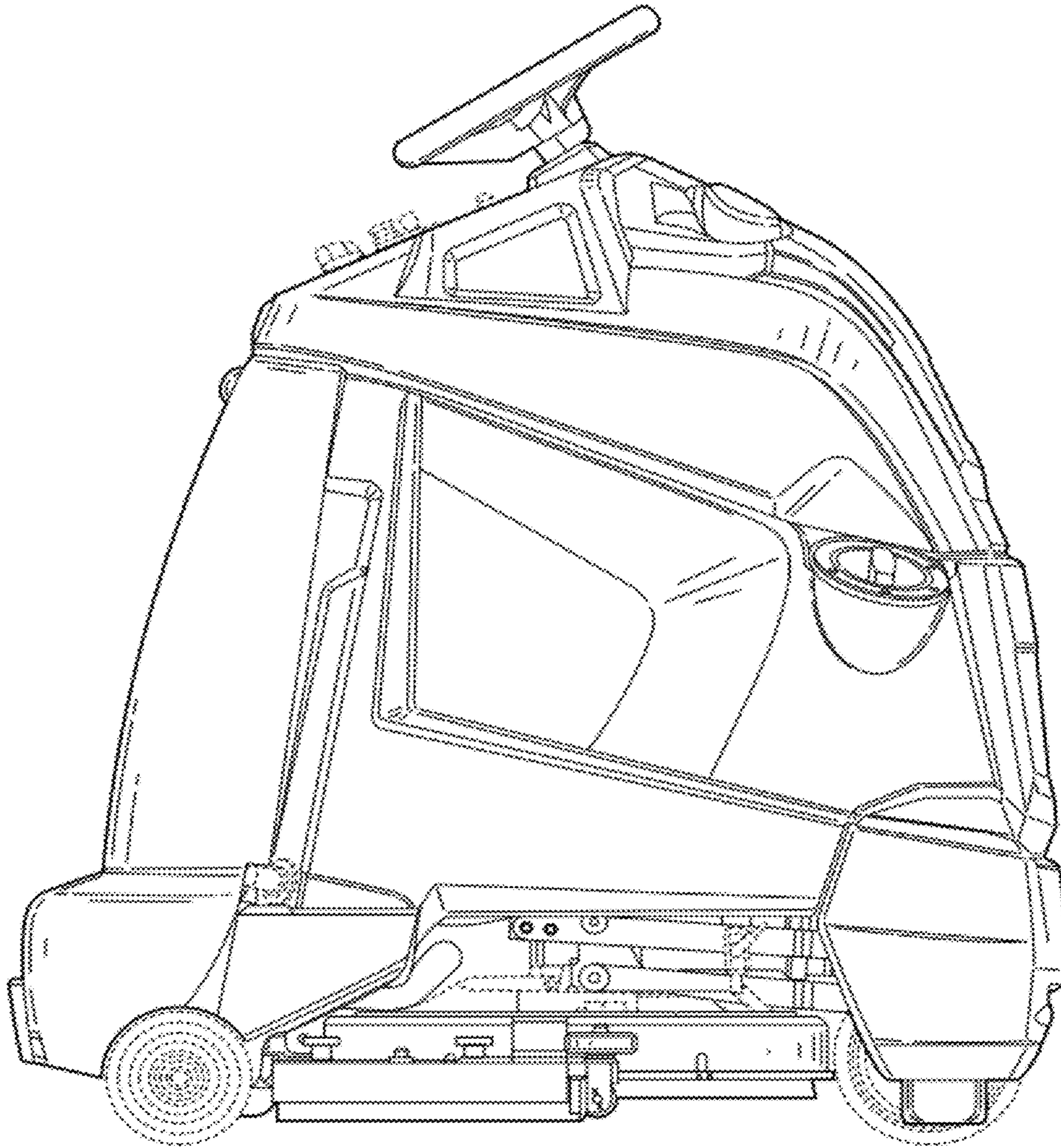


FIG. 6

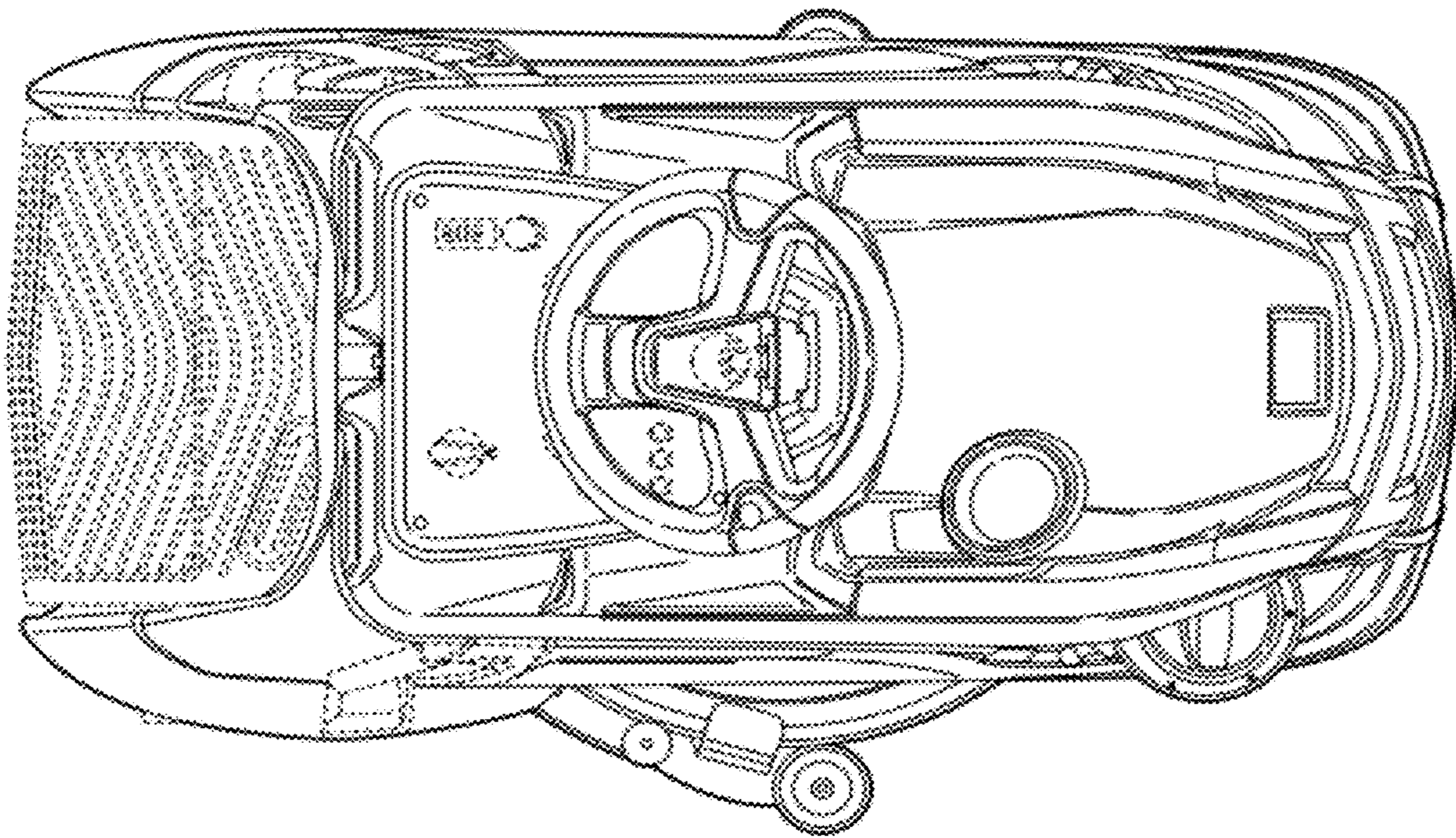


FIG. 7