



US00D659305S

(12) **United States Design Patent**
Song et al.

(10) **Patent No.:** **US D659,305 S**

(45) **Date of Patent:** **** May 8, 2012**

(54) **MAGNETICALLY COUPLED PET TOY**

(75) Inventors: **Xuan Song**, Shanghai (CN); **Jonathan Li**, Mendham, NJ (US); **Alan J. Cook**, Chicago, IL (US)

(73) Assignee: **Lucky Litter LLC**, Chicago, IL (US)

(**) Term: **14 Years**

(21) Appl. No.: **29/369,344**

(22) Filed: **Sep. 7, 2010**

(51) **LOC (9) Cl.** **30-99**

(52) **U.S. Cl.** **D30/160**

(58) **Field of Classification Search** D30/118,
D30/160, 199; D11/200–201, 86–87; 119/702,
119/707–711; 63/29.2, 900; 446/227
See application file for complete search history.

(56) **References Cited**

U.S. PATENT DOCUMENTS

3,028,646	A	*	4/1962	Janes	24/114.4
D303,234	S	*	9/1989	Smith	D11/226
D333,937	S	*	3/1993	Prosser	D30/160
D350,914	S	*	9/1994	Gershenson	D11/200
D377,919	S	*	2/1997	Singer et al.	D11/226

D433,349	S	*	11/2000	Brisk	D11/41
D492,619	S	*	7/2004	Udolph et al.	D11/200
D514,474	S	*	2/2006	Neri	D11/200
RE40,430	E	*	7/2008	Markham	119/707
D602,397	S	*	10/2009	Heroux	D11/200

* cited by examiner

Primary Examiner — Cathy A MacCormac

(74) *Attorney, Agent, or Firm* — Michael J. Femal; Much Shelist PC

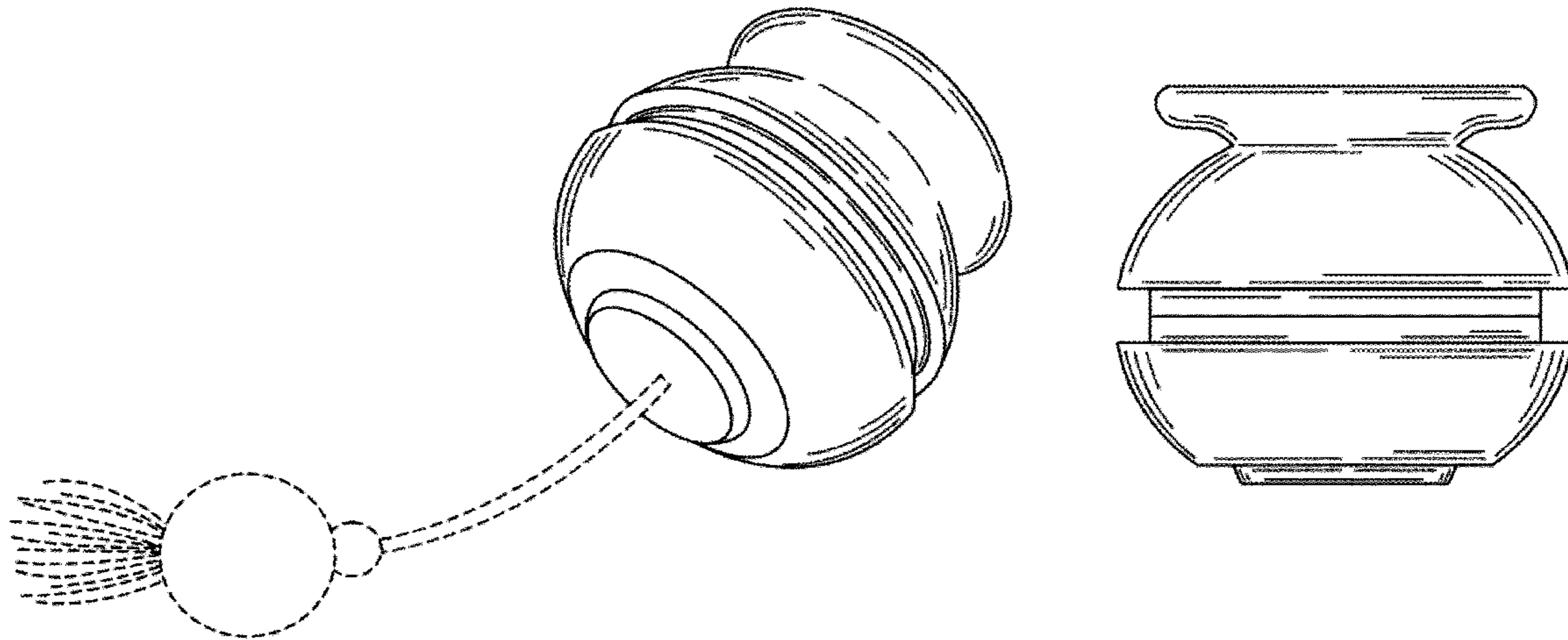
(57) **CLAIM**

The ornamental design of a magnetically coupled pet toy, as shown.

DESCRIPTION

FIG. 1 is a perspective view of a magnetically coupled pet toy showing our new design;
FIG. 2 is a yet another perspective view thereof;
FIG. 3 is a side elevation thereof;
FIG. 4 is a top plan view thereof; and,
FIG. 5 is a bottom plan view thereof.
The broken lines showing a suspended pet toy in FIG. 1 are included for the purpose of illustrating environment only and forms no part of the claimed design.

1 Claim, 2 Drawing Sheets



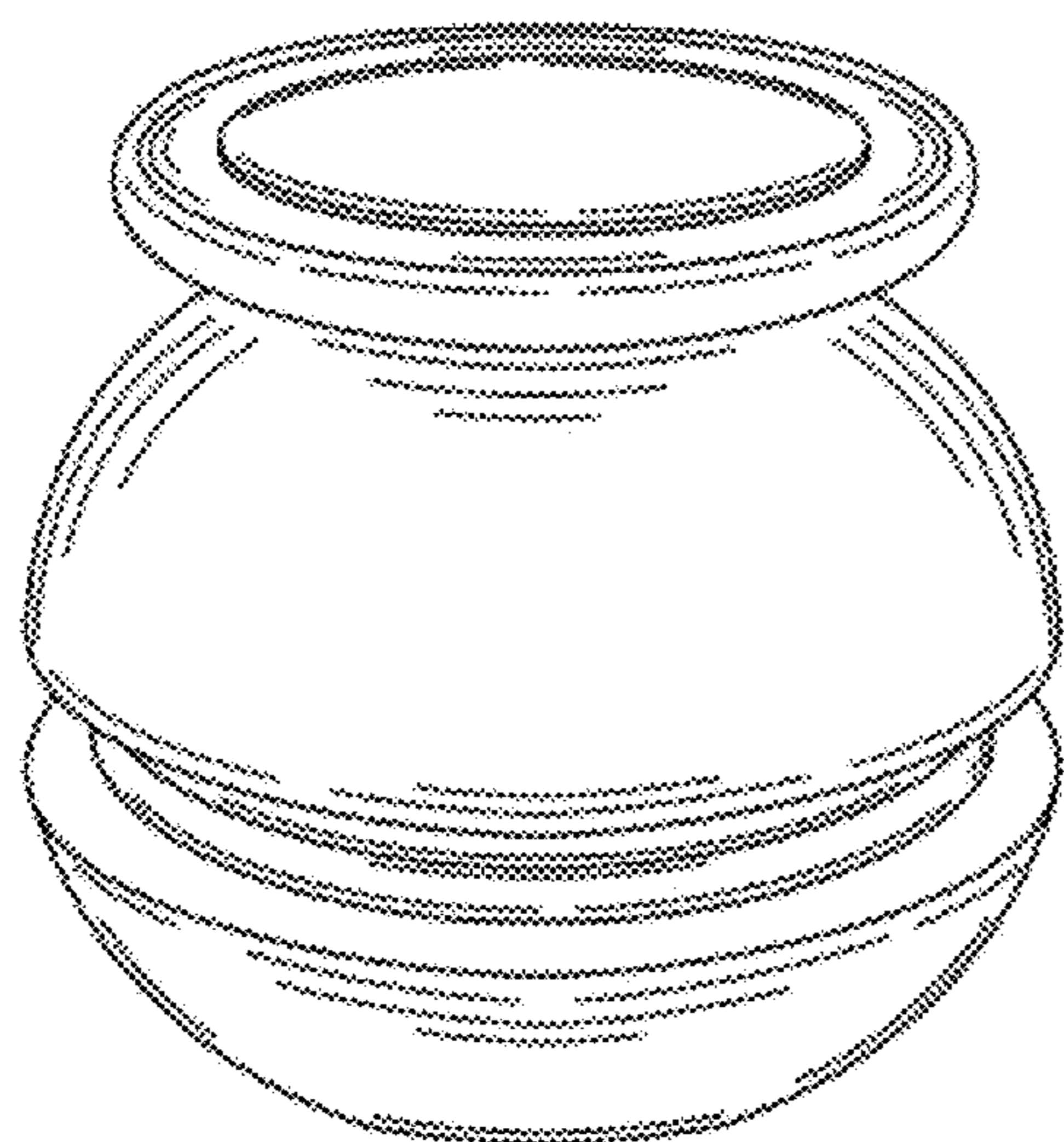


FIG. 2

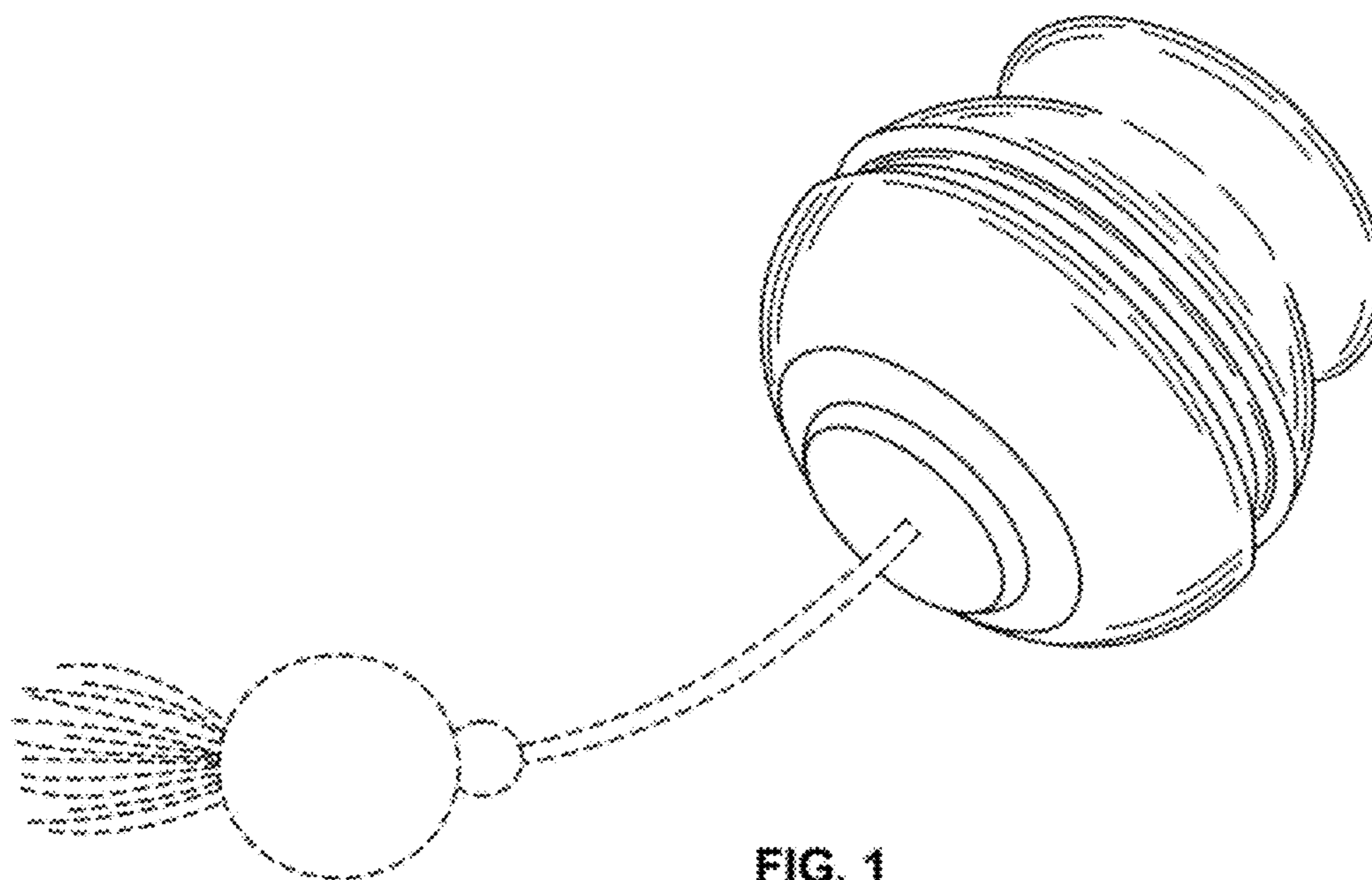


FIG. 1

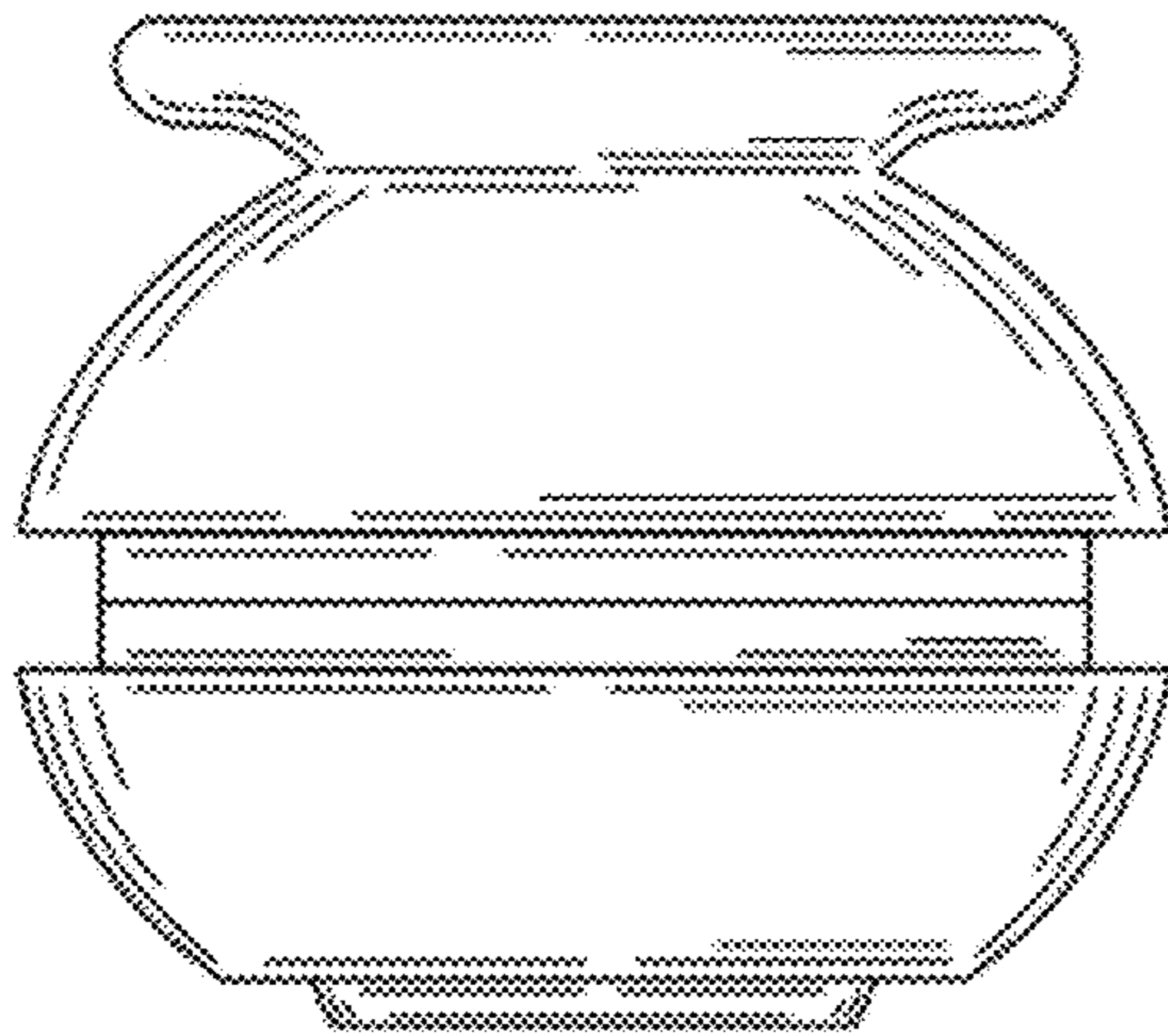


FIG. 3

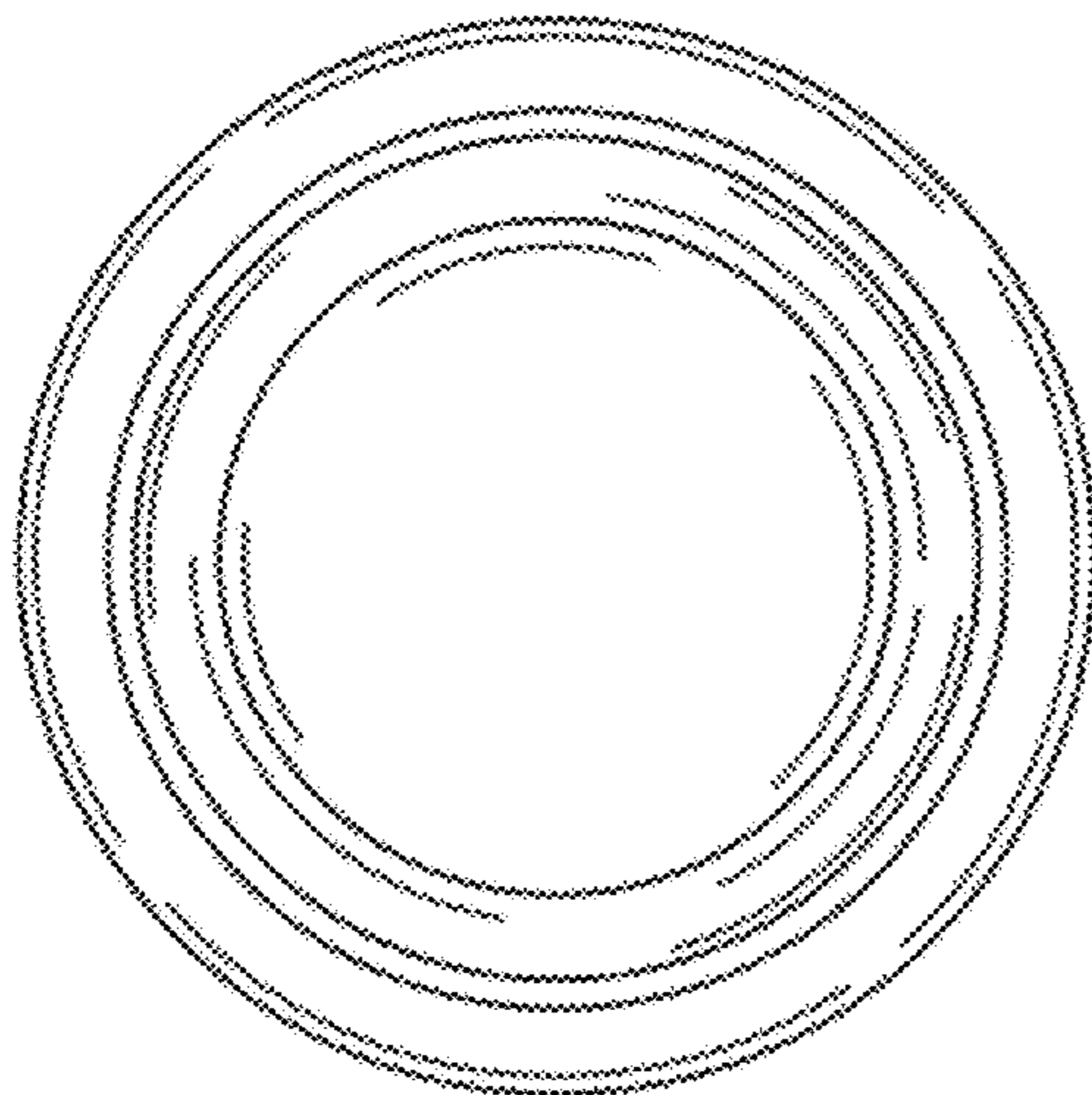


FIG. 4

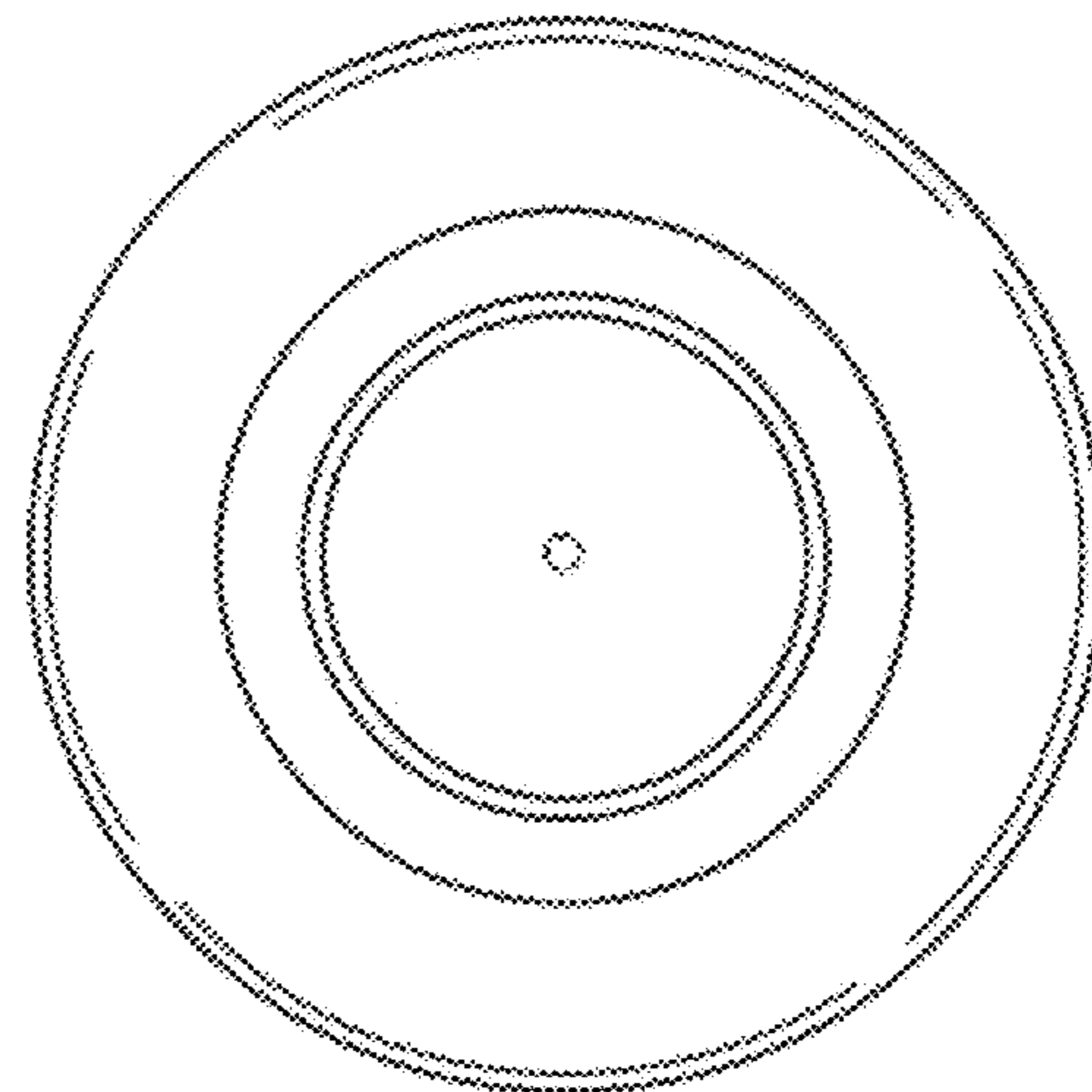


FIG. 5