



US00D659303S

(12) **United States Design Patent**
Mugford

(10) **Patent No.:** **US D659,303 S**

(45) **Date of Patent:** **** May 8, 2012**

(54) **MUZZLE**

(75) Inventor: **Roger Arthur Mugford**, Chertsey (GB)

(73) Assignee: **The Company of Animals Limited**,
Chertsey, Surrey (GB)

(**) Term: **14 Years**

(21) Appl. No.: **29/371,733**

(22) Filed: **Aug. 8, 2011**

(30) **Foreign Application Priority Data**

Feb. 8, 2011 (EM) 001818352-0001

(51) **LOC (9) Cl.** **30-04**

(52) **U.S. Cl.** **D30/152; D30/144; D30/151**

(58) **Field of Classification Search** D30/135-138,
D30/152; 54/6.1, 24, 6.2, 7; 119/792, 831,
119/856, 993, 828, 822; 2/311; D2/627

See application file for complete search history.

(56) **References Cited**

U.S. PATENT DOCUMENTS

545,207	A *	8/1895	Miller	119/832
1,068,971	A *	7/1913	Brauer	119/832
1,511,339	A *	10/1924	Hord	119/832
2,658,478	A *	11/1953	Jones	119/822
3,173,401	A *	3/1965	Lupo, Sr.	119/831
4,160,428	A *	7/1979	Wilkinson	119/831

(Continued)

OTHER PUBLICATIONS

Baskerville Muzzle Range—See <http://www.companyofanimals.co.uk/products/muzzles-travel-and-visibility/muzzles/baskerville-muzzle-range> (6 pages) Accessed Nov. 8, 2011.

Primary Examiner — Susan Moon Lee

(74) *Attorney, Agent, or Firm* — Dinesh Agarwal, P.C.

(57) **CLAIM**

The ornamental design for a muzzle, as shown and described.

DESCRIPTION

FIG. 1 is a front perspective view of a muzzle of the present invention;

FIG. 2 is a rear perspective view of the muzzle of FIG. 1;

FIG. 3 is a left side view of the muzzle of FIG. 1;

FIG. 4 is a right side view of the muzzle of FIG. 1;

FIG. 5 is a top plan view of the muzzle of FIG. 1;

FIG. 6 is a bottom plan view of the muzzle of FIG. 1;

FIG. 7 is a front elevational view of the muzzle of FIG. 1;

FIG. 8 is a rear elevational view of the muzzle of FIG. 1;

FIG. 9 is a front perspective view of the muzzle of FIG. 1, shown in a closed position;

FIG. 10 is a rear perspective view of the muzzle of FIG. 2, shown in a closed position;

FIG. 11 is a left side view of the muzzle of FIG. 3, shown in a closed position;

FIG. 12 is a right side view of the muzzle of FIG. 4, shown in a closed position;

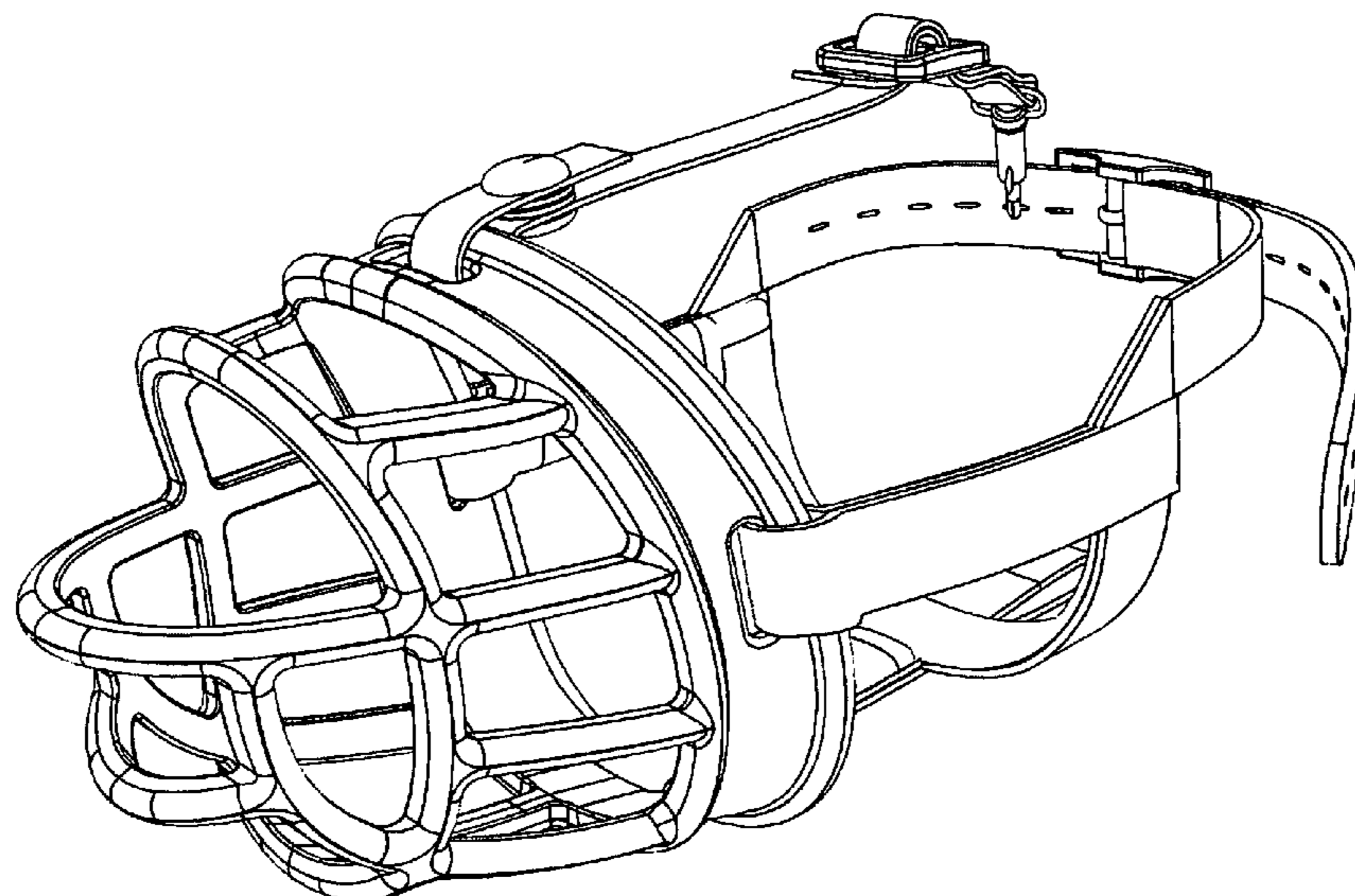
FIG. 13 is a top plan view of the muzzle of FIG. 5, shown in a closed position;

FIG. 14 is a bottom plan view of the muzzle of FIG. 6, shown in a closed position;

FIG. 15 is a front elevational view of the muzzle of FIG. 7, shown in a closed position; and,

FIG. 16 is a rear elevational view of the muzzle of FIG. 8, shown in a closed position.

1 Claim, 9 Drawing Sheets



US D659,303 S

Page 2

U.S. PATENT DOCUMENTS			
4,273,119	A *	6/1981	Marchello 128/201.13
5,218,929	A *	6/1993	Michunovich 119/832
7,444,960	B1 *	11/2008	Williams et al. 119/831
7,891,321	B2 *	2/2011	Slank 119/831
2008/0264350	A1 *	10/2008	Frevola 119/831
2010/0024743	A1 *	2/2010	Wang 119/832
2011/0107982	A1 *	5/2011	Taylor 119/832
2011/0185981	A1 *	8/2011	Mitton 119/832

* cited by examiner

FIG. 1

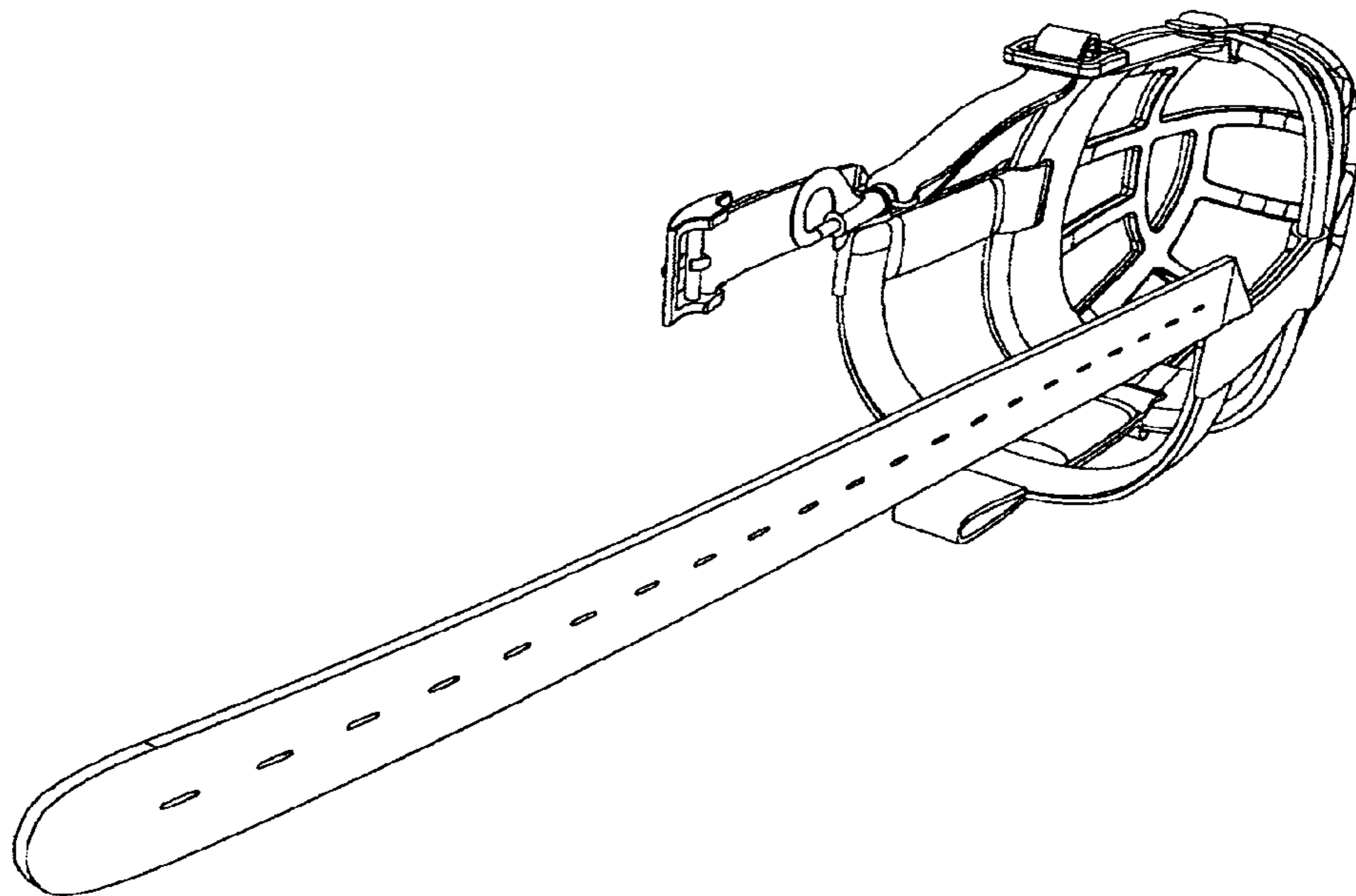
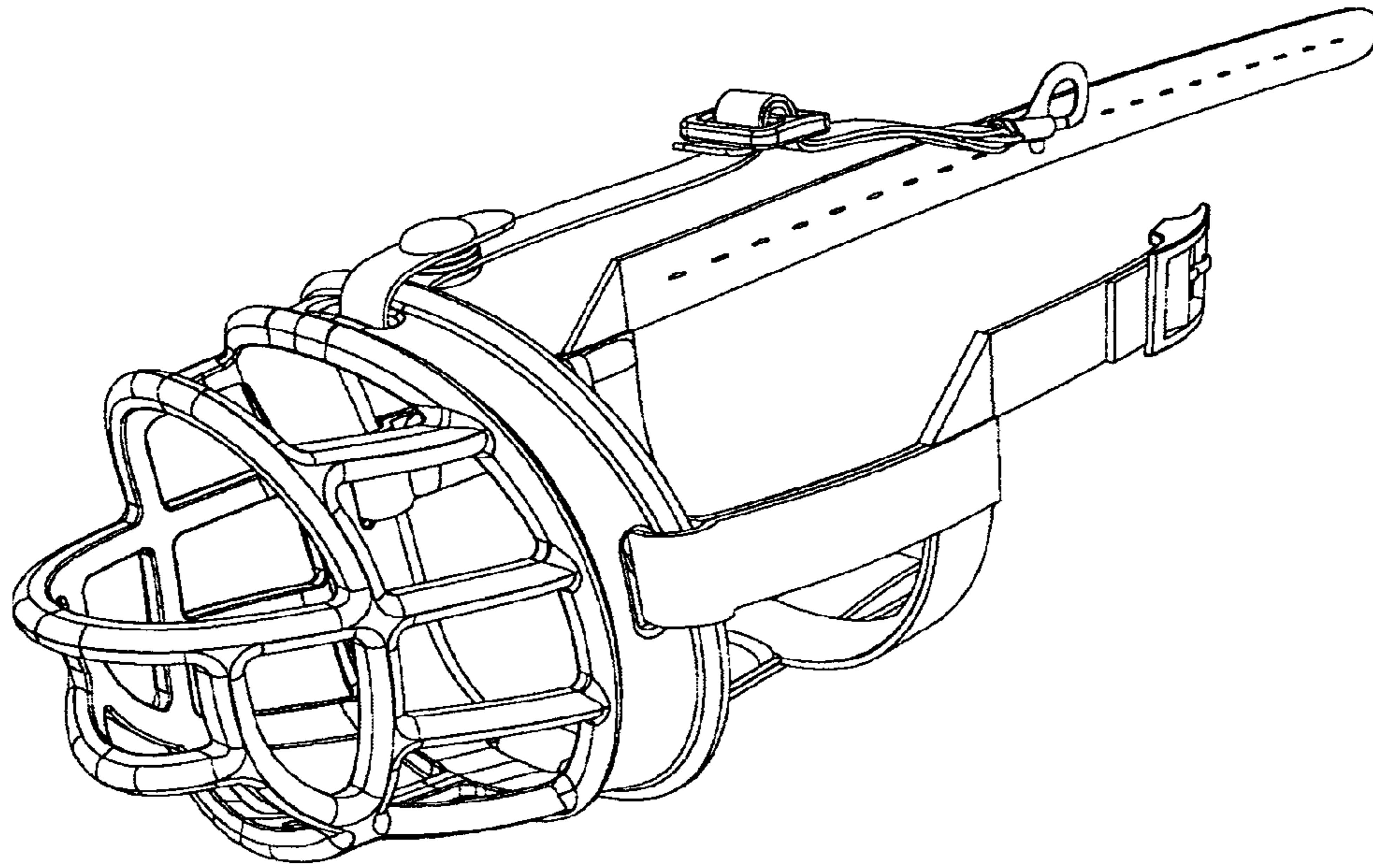


FIG. 2

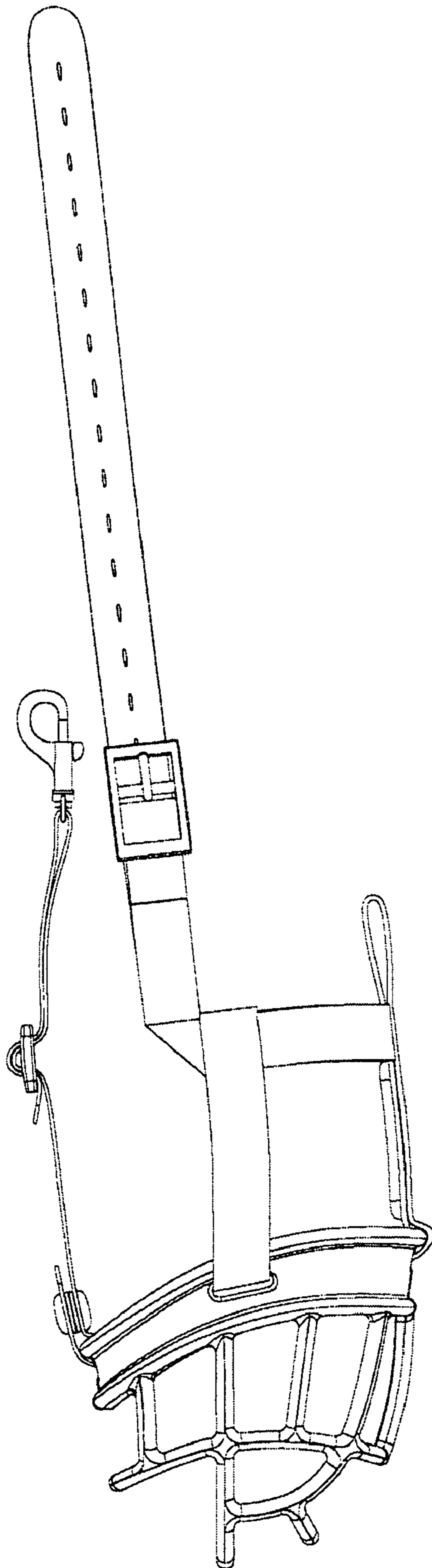


FIG. 3

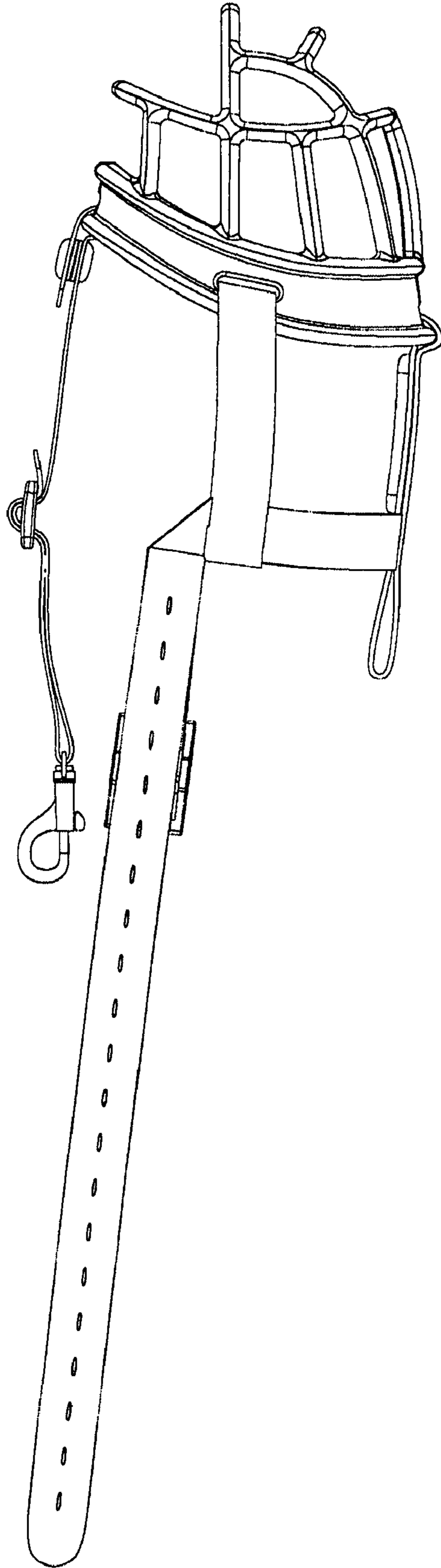


FIG. 4

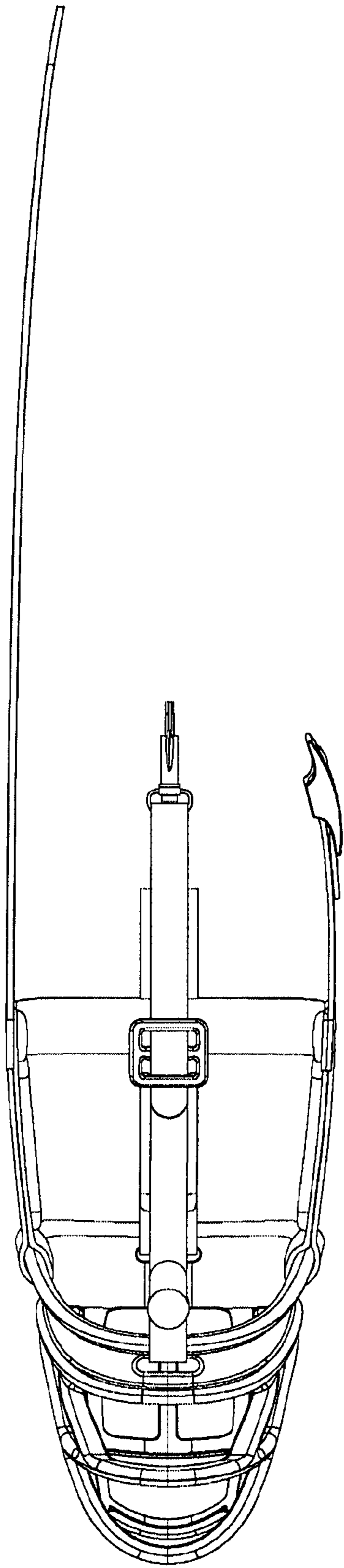


FIG. 5

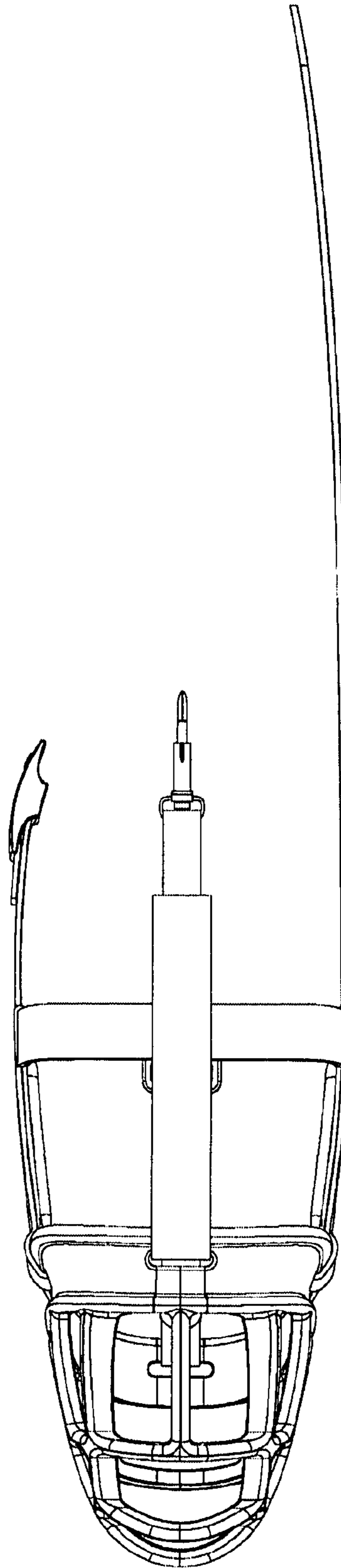


FIG. 6

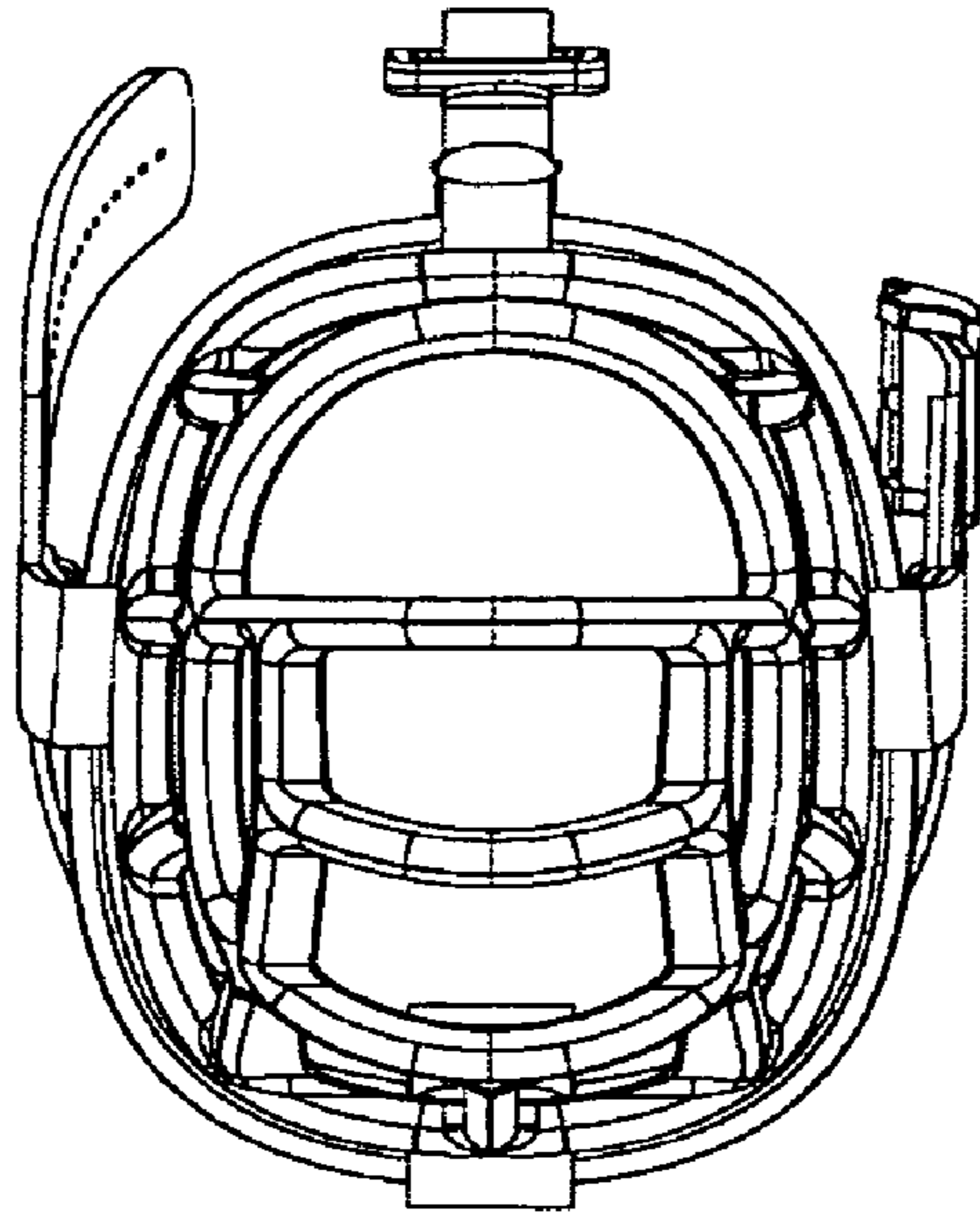


FIG. 7

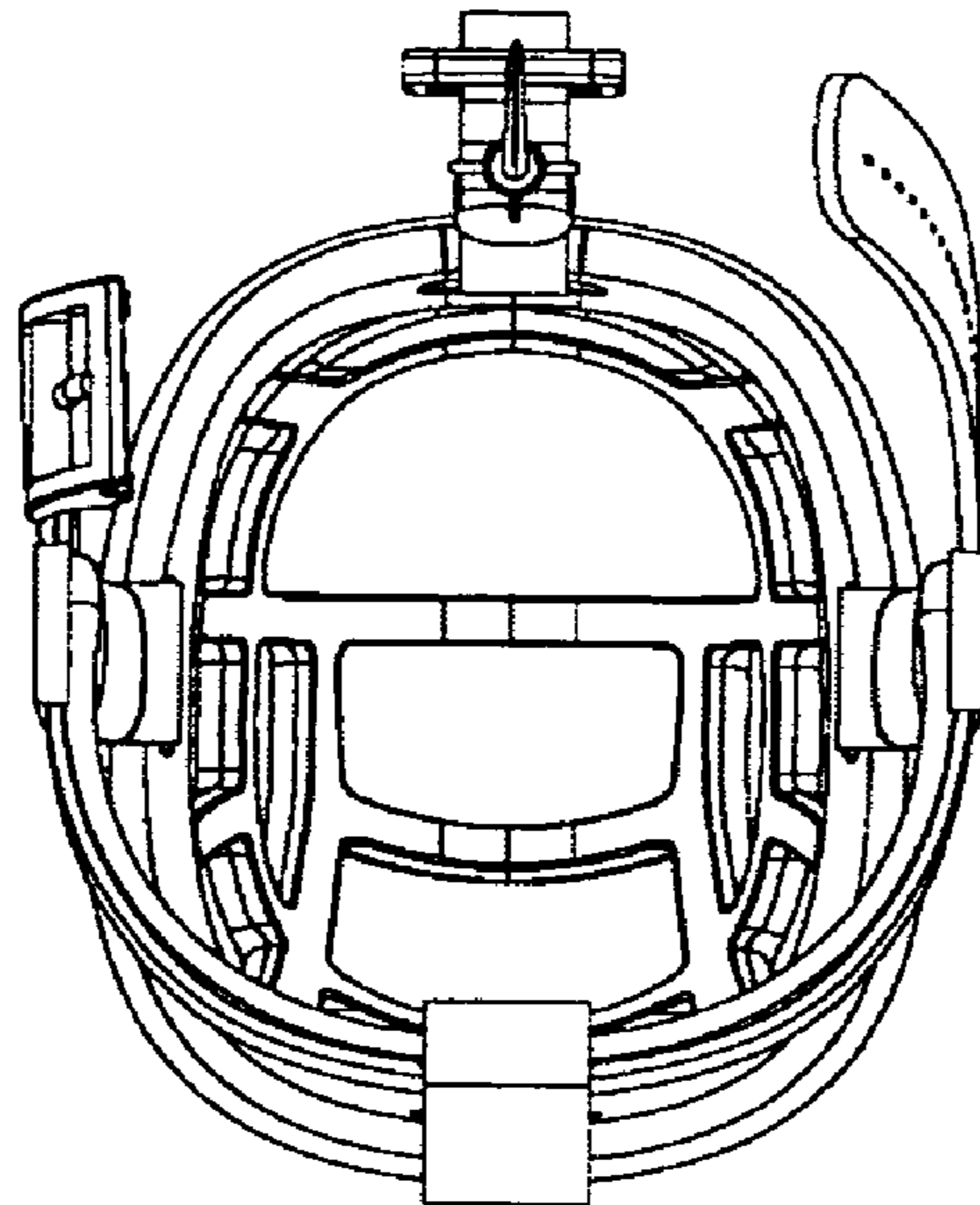


FIG. 8

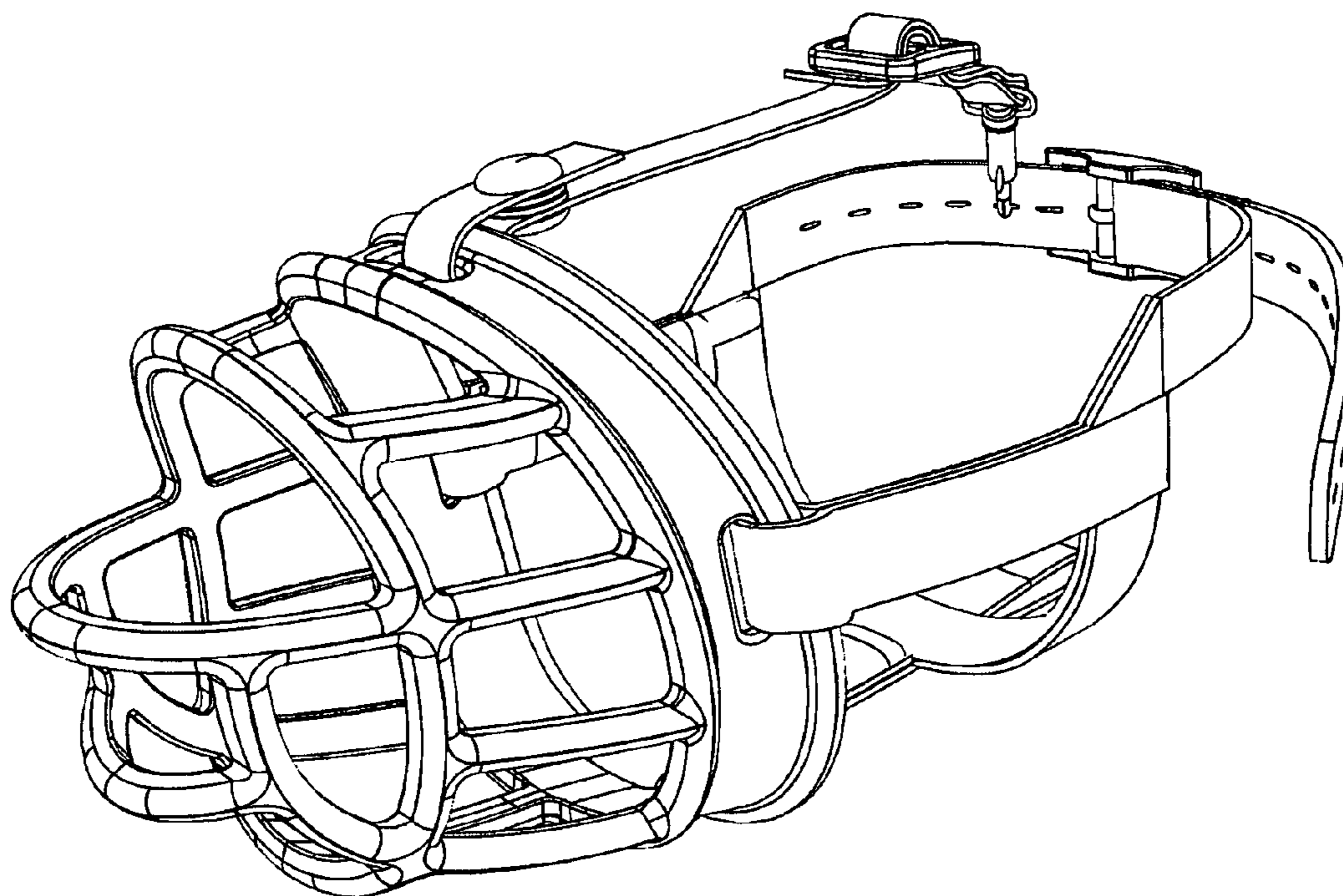


FIG. 9

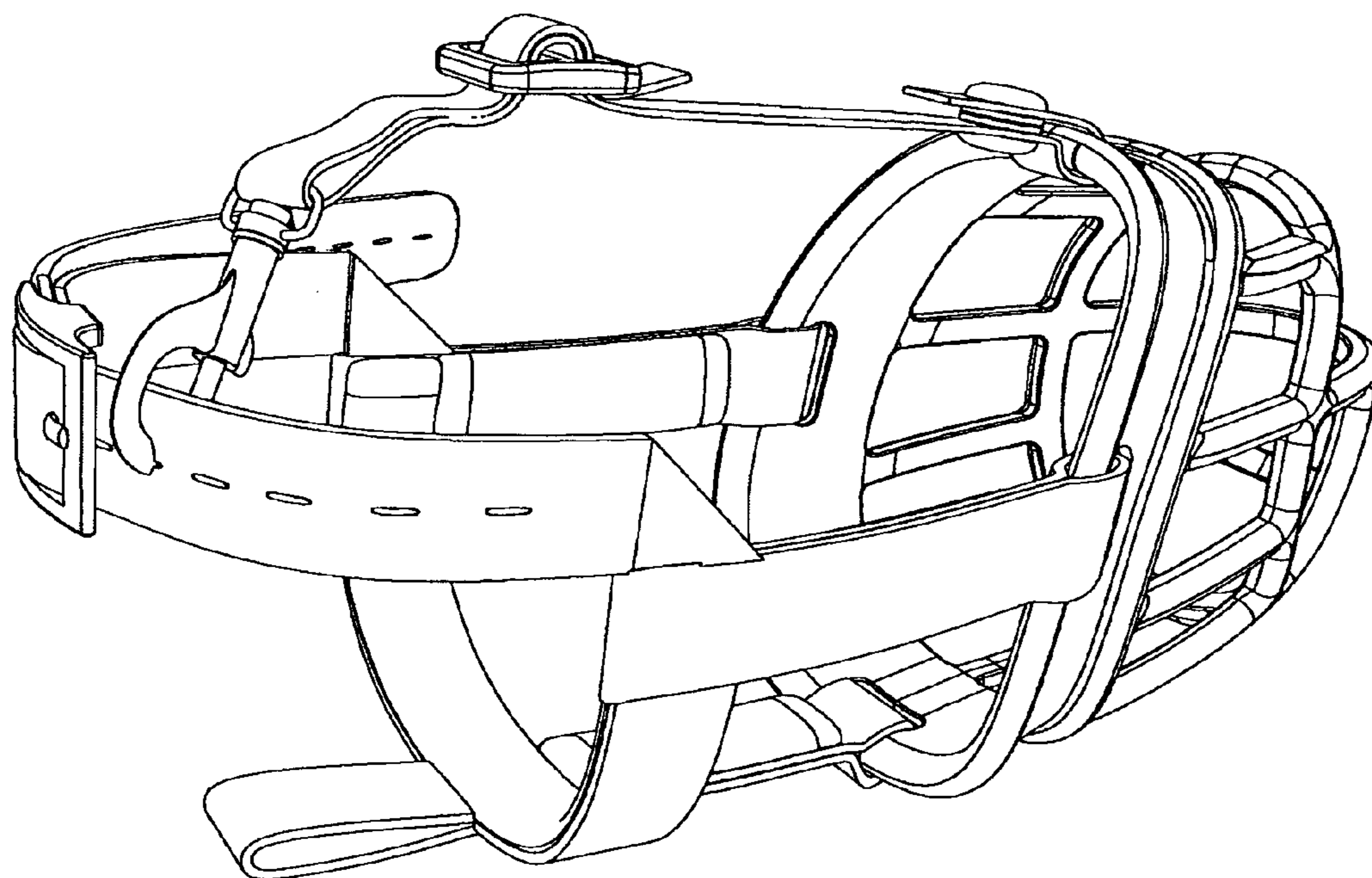


FIG. 10

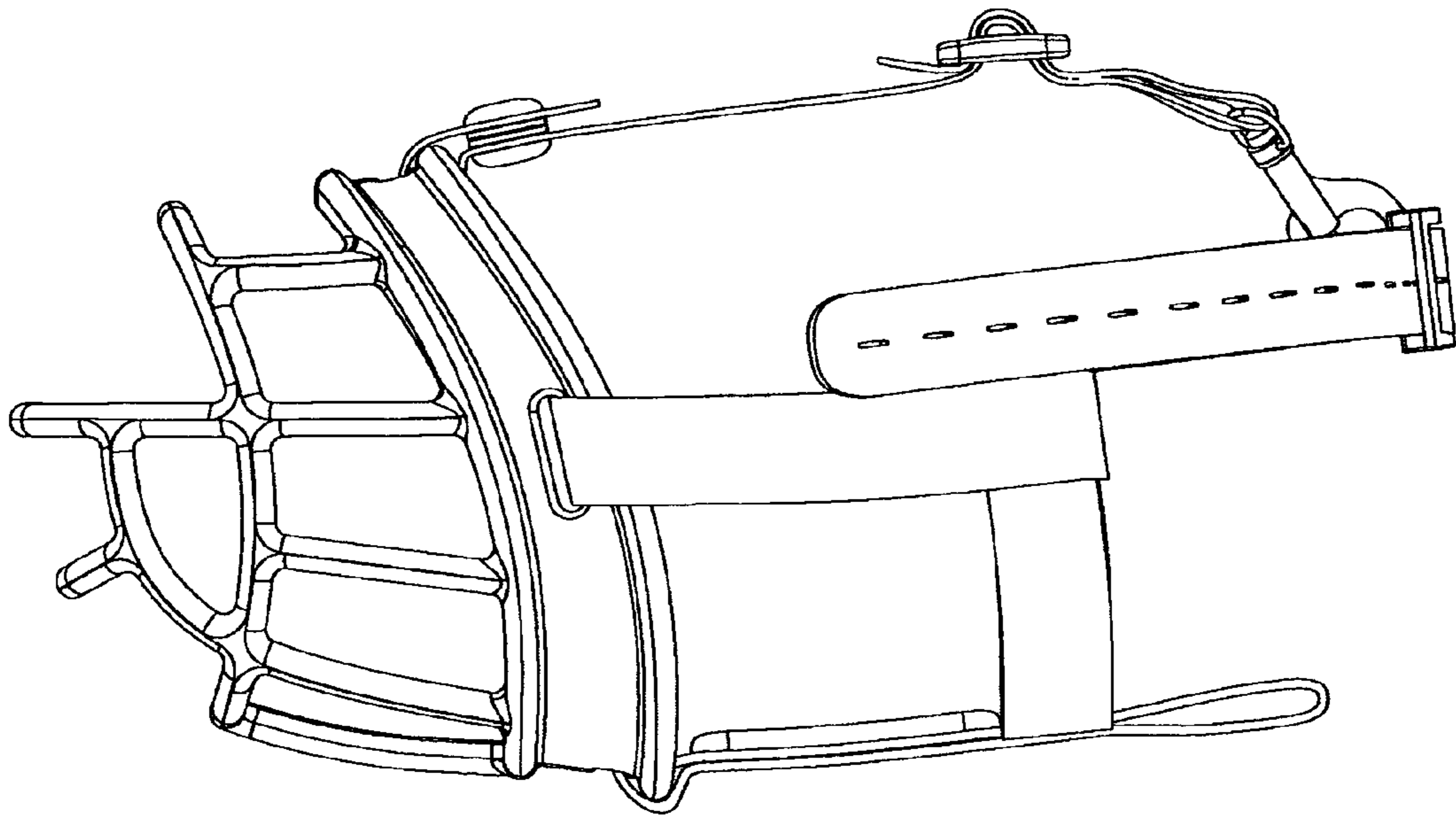


FIG. 11

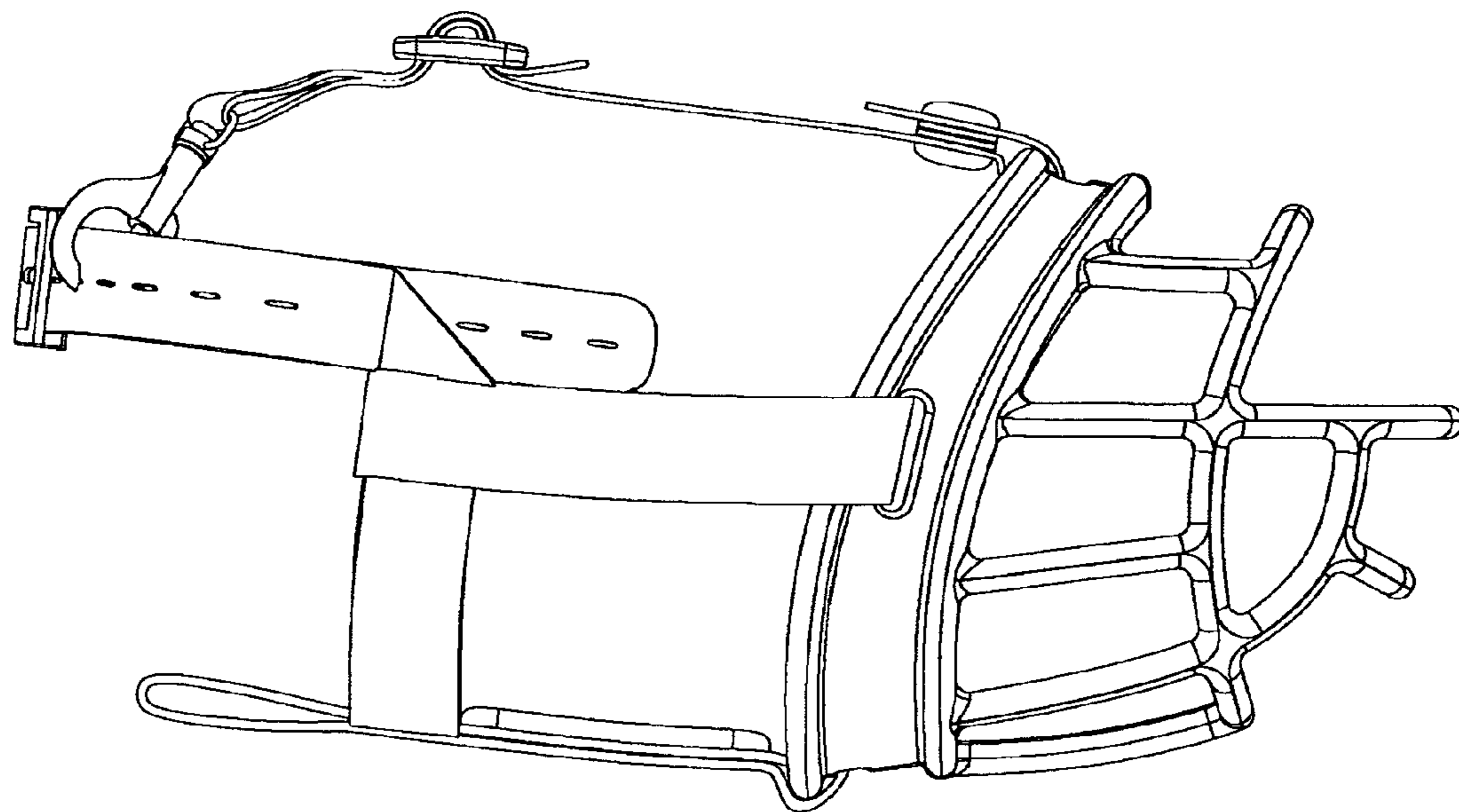


FIG. 12

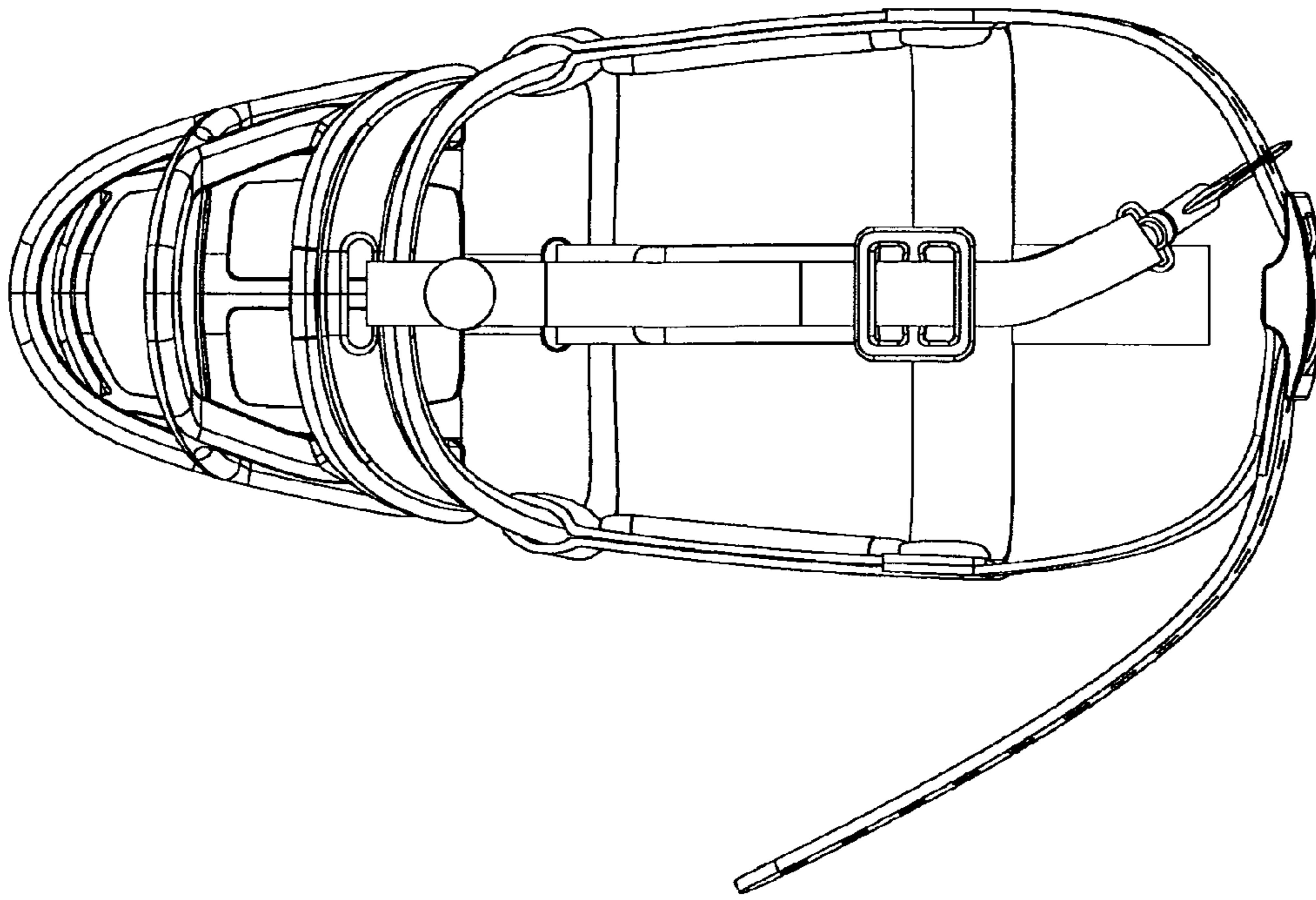


FIG. 13

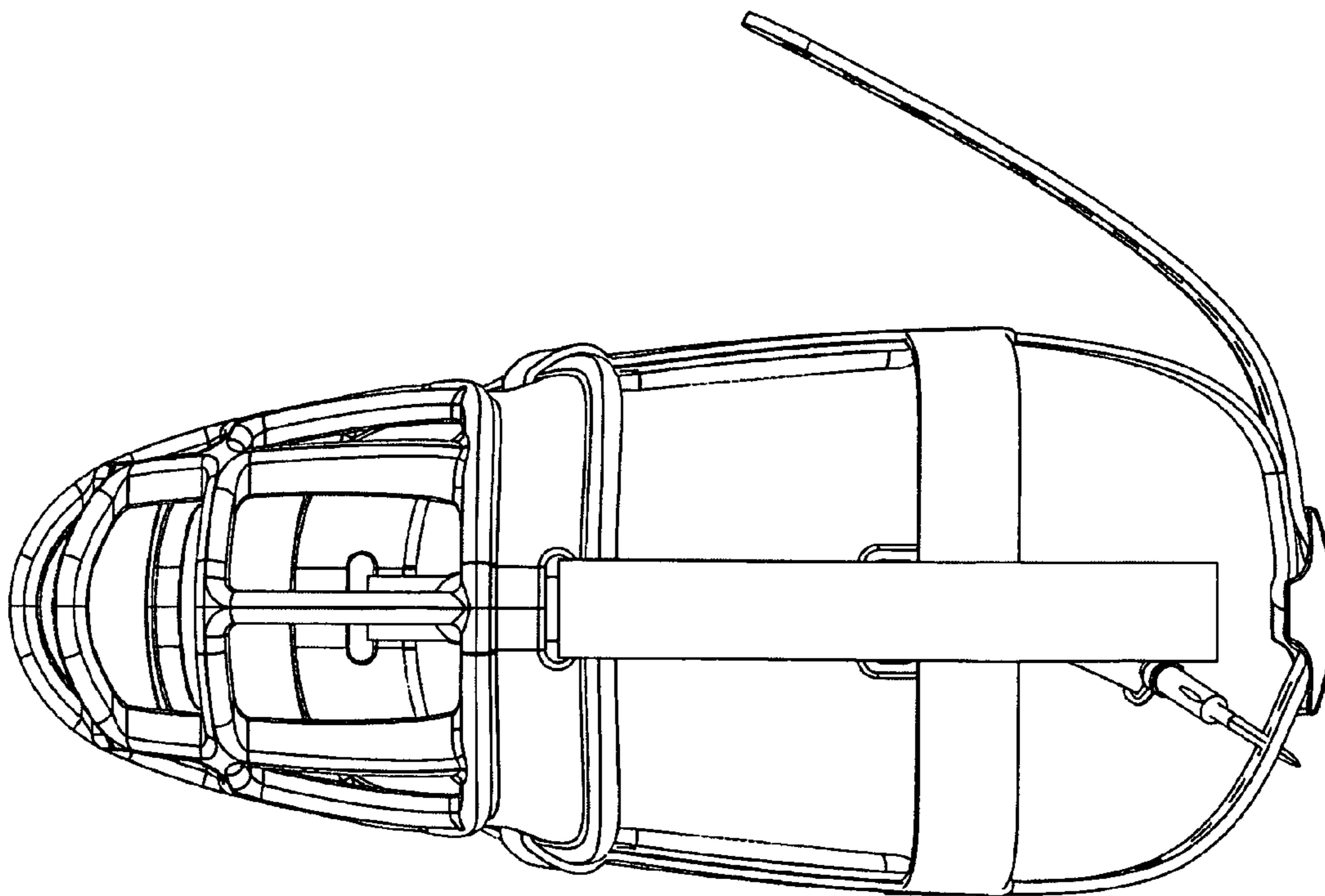


FIG. 14

FIG. 15

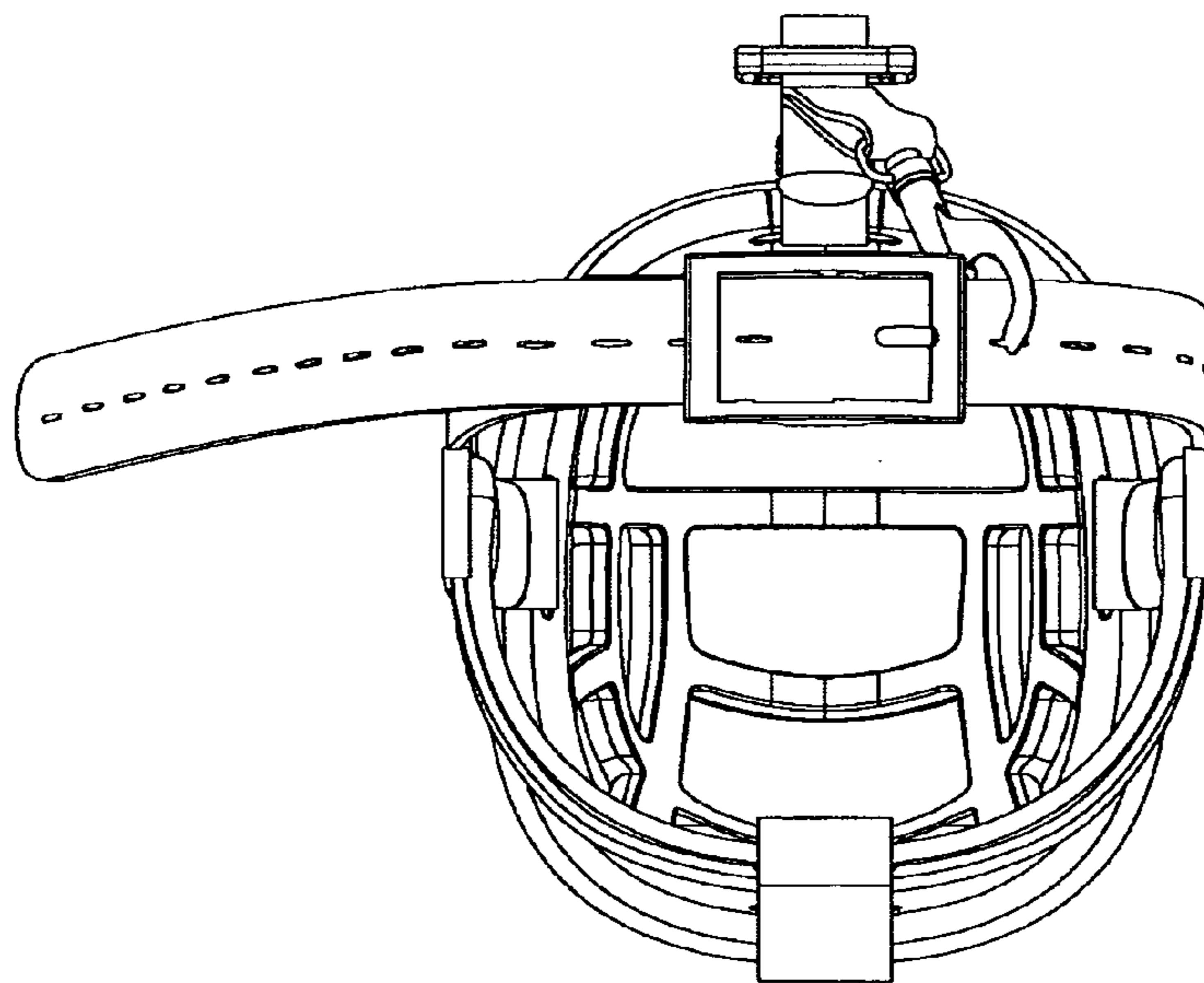
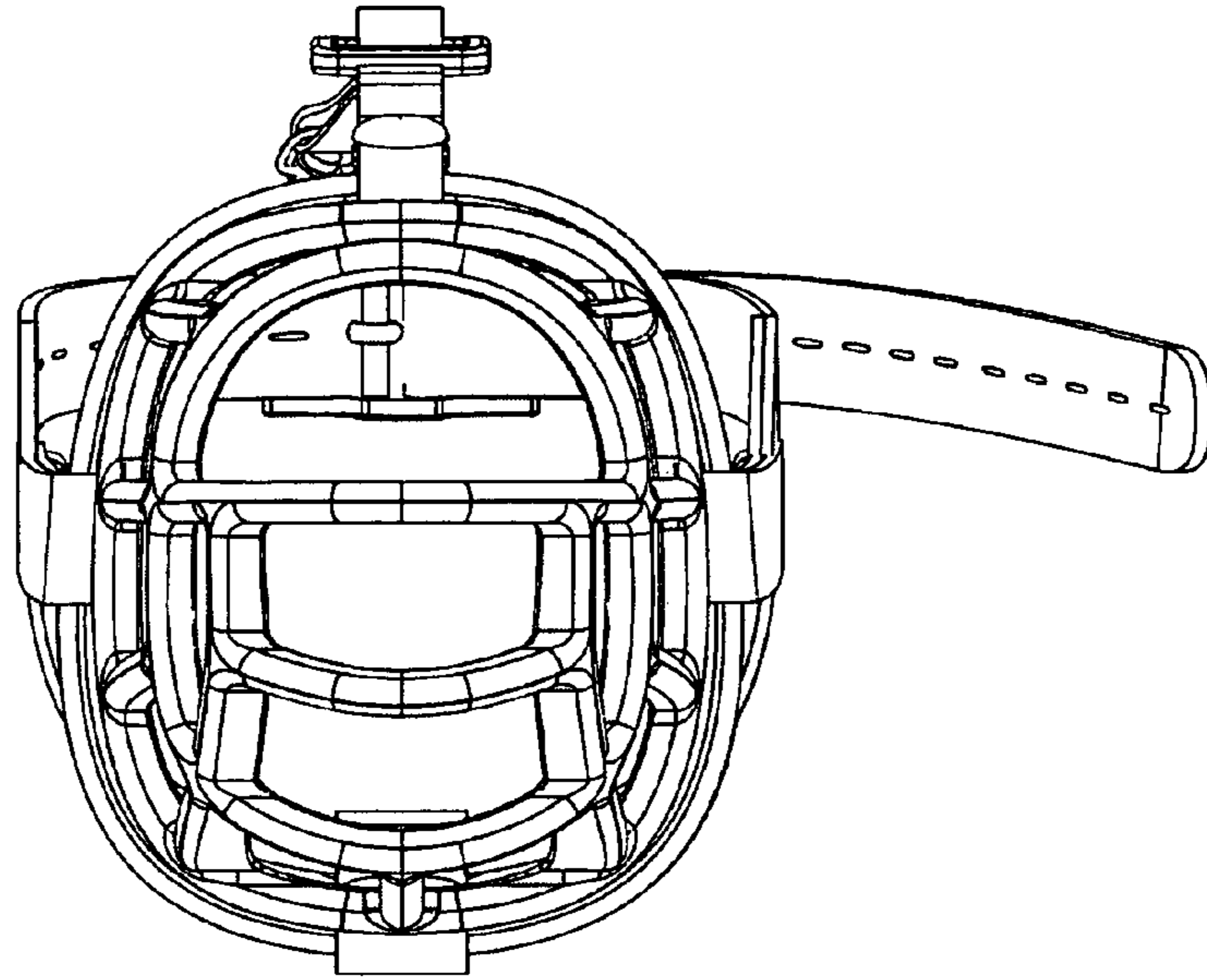


FIG. 16