



US00D659302S

(12) **United States Design Patent**  
**Rose**

(10) **Patent No.:** **US D659,302 S**  
(45) **Date of Patent:** **\*\* May 8, 2012**

- (54) **WATER BOTTLE HOLDER**
  - (76) Inventor: **Mayra C. Rose**, Miami, FL (US)
  - (\*\*) Term: **14 Years**
  - (21) Appl. No.: **29/401,174**
  - (22) Filed: **Sep. 8, 2011**
  - (51) **LOC (9) Cl.** ..... **30-03**
  - (52) **U.S. Cl.** ..... **D30/133; D30/121**
  - (58) **Field of Classification Search** ..... D30/121,  
D30/127, 124, 133, 199, 119; 119/51.03,  
119/464, 72.5, 77, 57.8, 55, 710, 52.3, 54,  
119/56.1, 53, 52.1, 58, 51.01, 76, 72; 242/598.5;  
224/414.926; D12/411; D7/620; D6/553,  
D6/450; D8/395, 396; 248/311.2, 313, 316.5,  
248/108, 302, 311.3
- See application file for complete search history.

- D358,967 S \* 6/1995 Knighton ..... D7/620
- D364,943 S 12/1995 Valentine et al.
- D370,750 S \* 6/1996 Huff ..... D30/133
- D378,706 S \* 4/1997 Valentine et al. .... D30/133
- D407,952 S \* 4/1999 Kendrick ..... D7/620
- 5,975,470 A \* 11/1999 Casey ..... 248/146
- D456,603 S \* 5/2002 Phetthaweebancha ..... D3/229
- D486,682 S \* 2/2004 Zins et al. .... D6/535
- 6,684,815 B1 2/2004 Rakoczy
- D502,366 S 3/2005 Strepkoff

(Continued)

*Primary Examiner* — Susan Moon Lee

(74) *Attorney, Agent, or Firm* — QuickPatents, Inc.; Kevin Prince

(57) **CLAIM**

I claim the ornamental design for a water bottle holder, as shown and described.

**DESCRIPTION**

FIG. 1 is a perspective view of a water bottle holder, showing a first embodiment of my new design;  
 FIG. 2 is a right-side elevational view thereof, the left-side elevational view being a mirror image thereof;  
 FIG. 3 is a front elevational view thereof;  
 FIG. 4 is a rear elevational view thereof;  
 FIG. 5 is a top plan view thereof;  
 FIG. 6 is a bottom plan view thereof;  
 FIG. 7 is a perspective view of a second embodiment thereof;  
 FIG. 8 is a right-side elevational view of FIG. 7, the left-side elevational view being a mirror image thereof;  
 FIG. 9 is a front elevational view of FIG. 7;  
 FIG. 10 is a rear elevational view of FIG. 7;  
 FIG. 11 is a top plan view of FIG. 7; and,  
 FIG. 12 is a bottom plan view of FIG. 7.

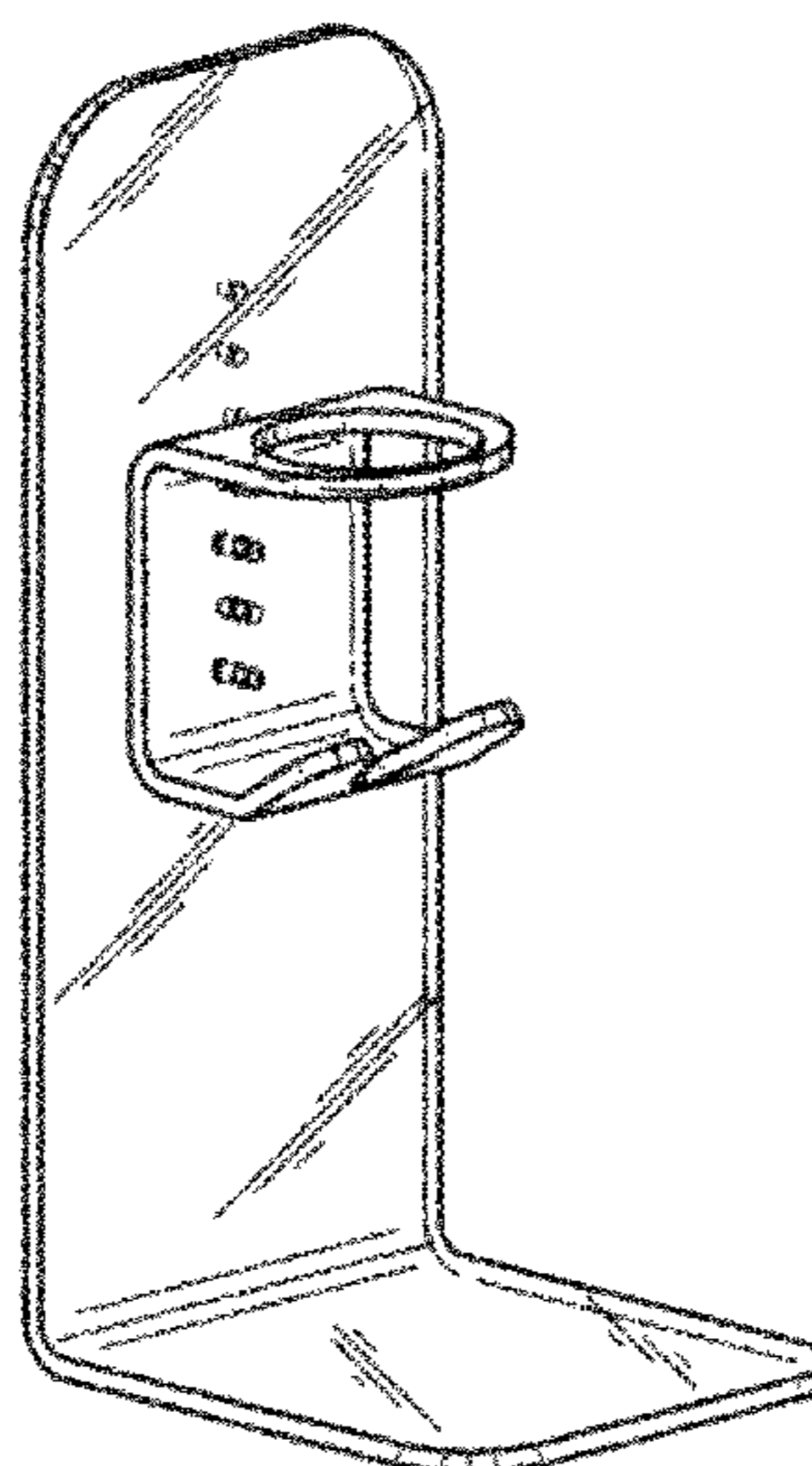
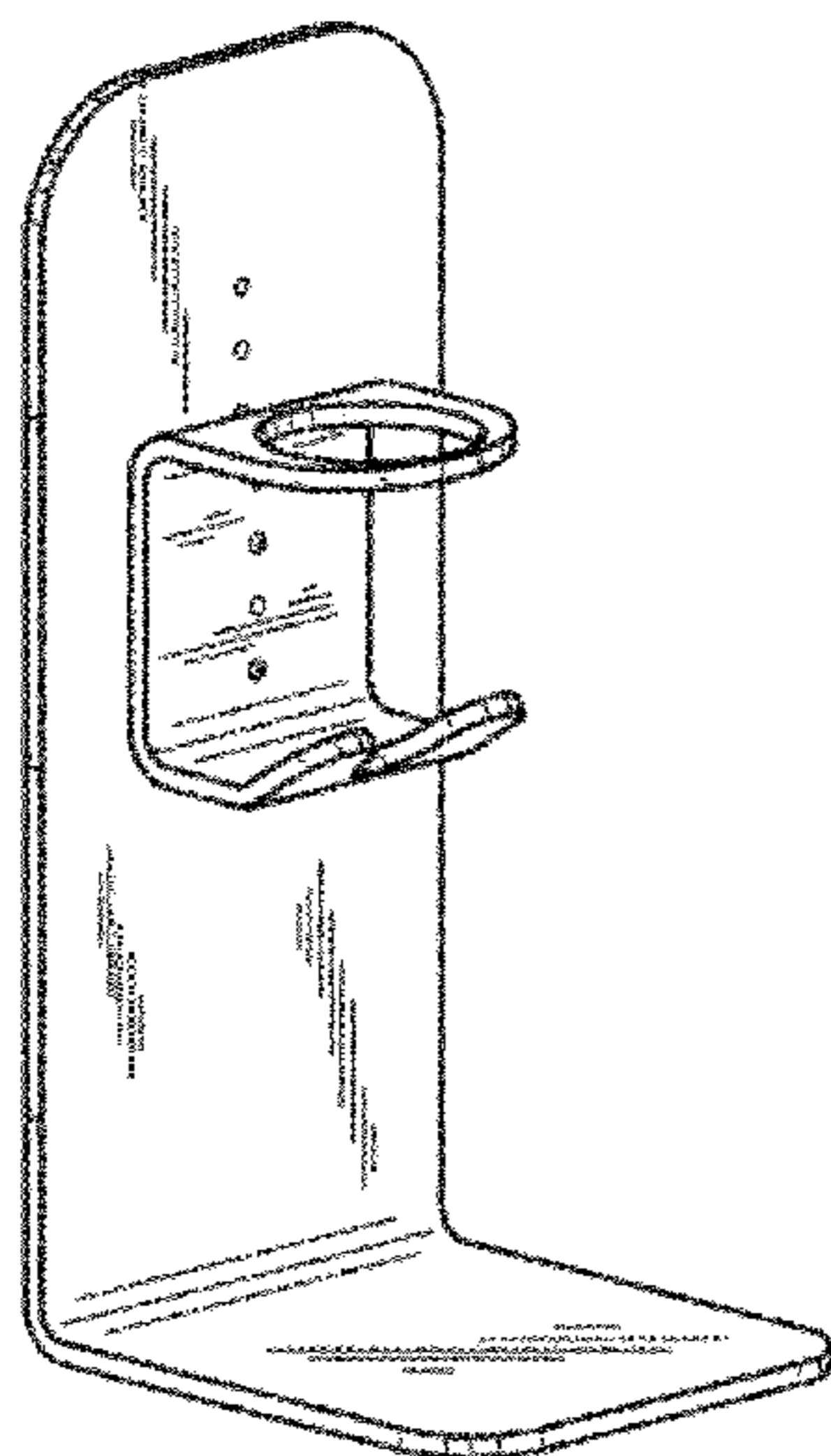
The broken lines showing a water bottle in FIGS. 2 and 8 depict environmental matter and form no part of the claimed design.

(56) **References Cited**

**U.S. PATENT DOCUMENTS**

- 2,391,264 A 12/1945 Nickelson
- D162,959 S \* 4/1951 Janes et al. .... D7/620
- D164,692 S \* 10/1951 Kelley ..... D7/620
- D210,567 S \* 3/1968 Stanziale ..... D6/545
- D233,386 S \* 10/1974 Hammett ..... D6/567
- D261,182 S \* 10/1981 Guilfoyle ..... D30/119
- 4,326,648 A \* 4/1982 Kieber ..... 222/162
- D268,056 S \* 2/1983 Campbell-Kelly et al. ... D30/121
- 4,513,935 A \* 4/1985 Aguirre ..... 248/105
- 4,557,452 A \* 12/1985 Khuong ..... 248/214
- D286,693 S \* 11/1986 Haywood et al. .... D30/119
- 4,767,092 A \* 8/1988 Weatherly ..... 248/311.2
- 4,848,714 A \* 7/1989 Ziaylek et al. .... 248/313
- D307,669 S \* 5/1990 Inouye ..... D7/620
- 4,951,910 A \* 8/1990 March ..... 248/311.2
- 5,040,756 A \* 8/1991 Via Cava ..... 248/103
- 5,042,770 A \* 8/1991 Louthan ..... 248/311.2
- D333,071 S \* 2/1993 Lim ..... D7/620
- D352,268 S \* 11/1994 Kavanaugh ..... D12/411
- D355,510 S 2/1995 Duncan
- D355,732 S 2/1995 Huff

**1 Claim, 3 Drawing Sheets**



# US D659,302 S

Page 2

---

## U.S. PATENT DOCUMENTS

6,926,243	B1 *	8/2005	Ziaylek et al. ....	248/307	7,971,552	B1	7/2011	Rakoczy	
D550,513	S *	9/2007	Mazza .....	D7/620	2004/0108337	A1 *	6/2004	Makino et al. ....	222/183
D552,417	S	10/2007	Ben-Shlomo et al.		2006/0054093	A1	3/2006	Shaffer	
D622,013	S	8/2010	Aho						

\* cited by examiner

FIG. 1

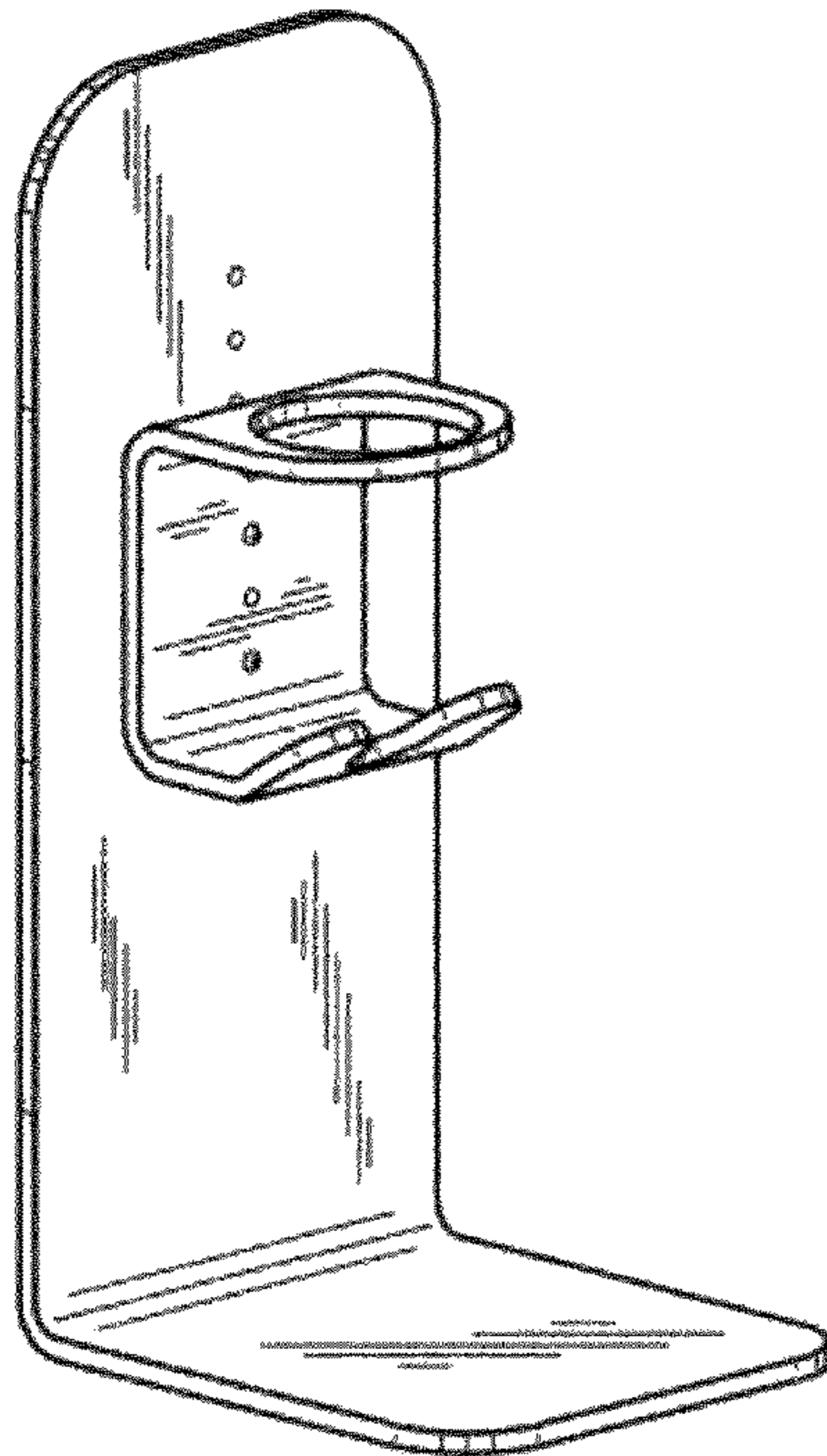


FIG. 2

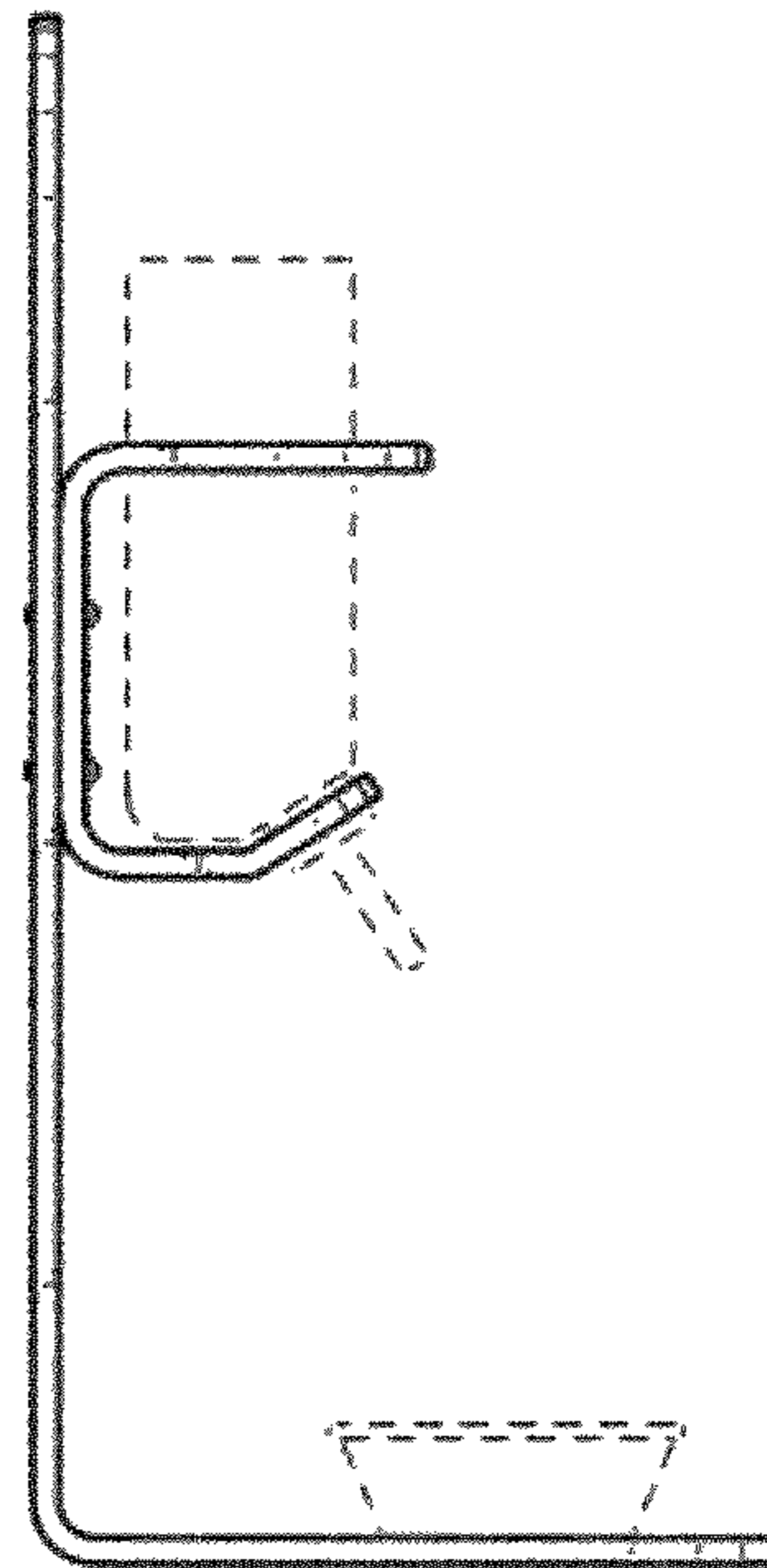


FIG. 3

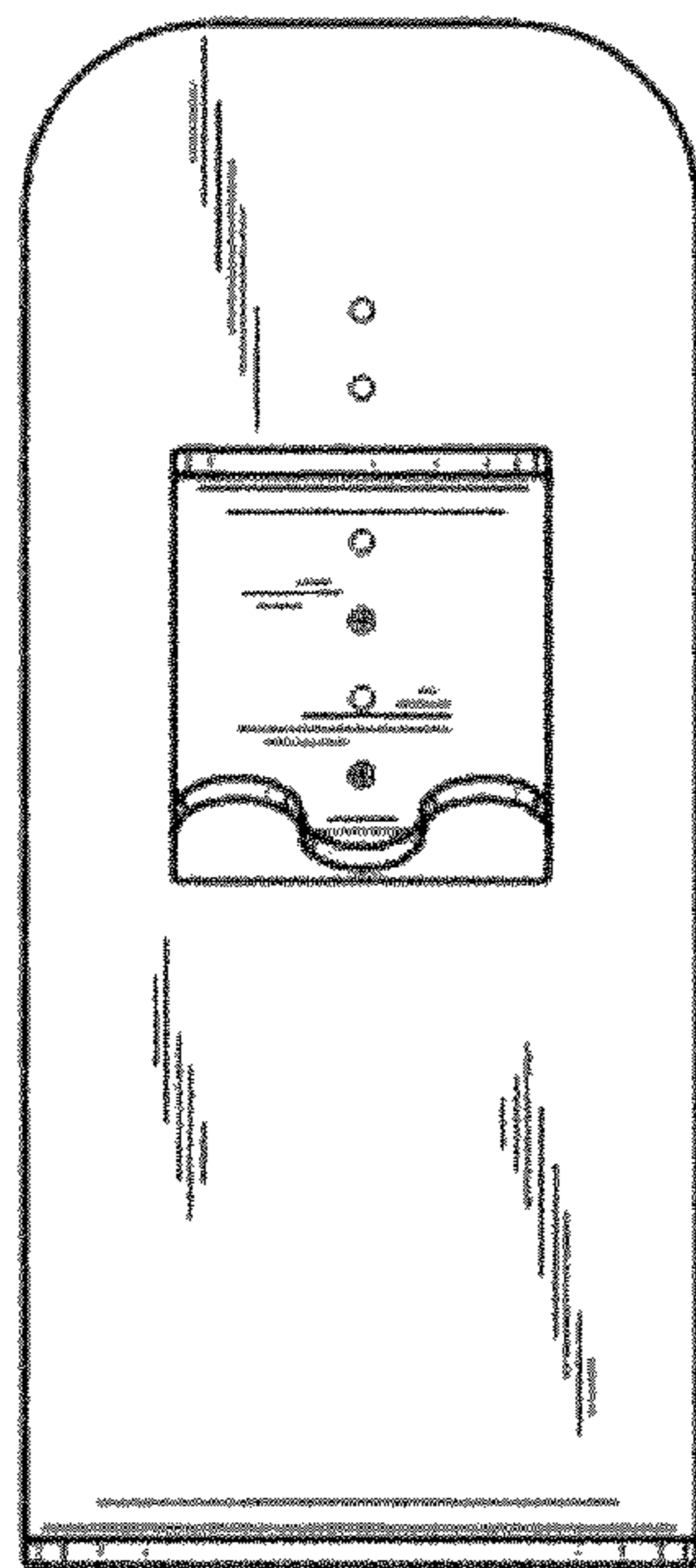
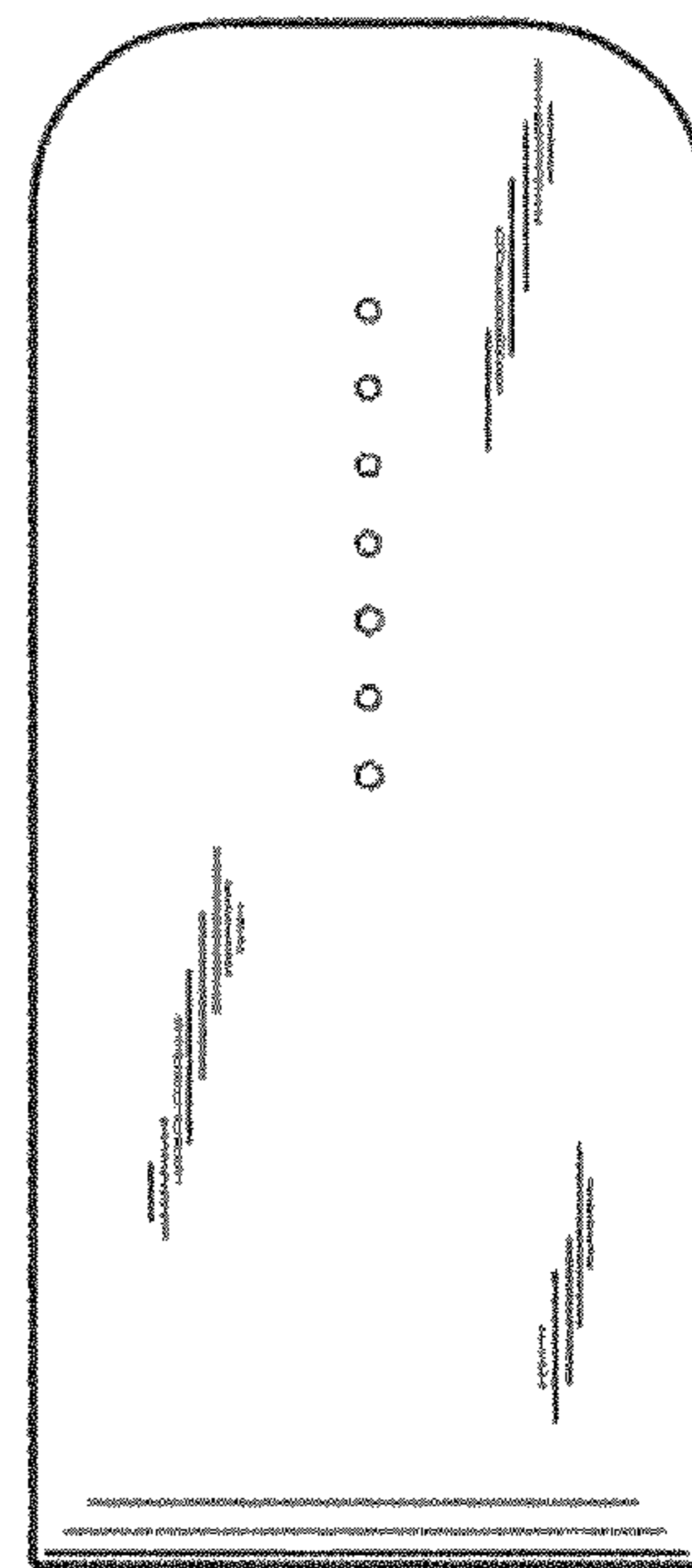


FIG. 4





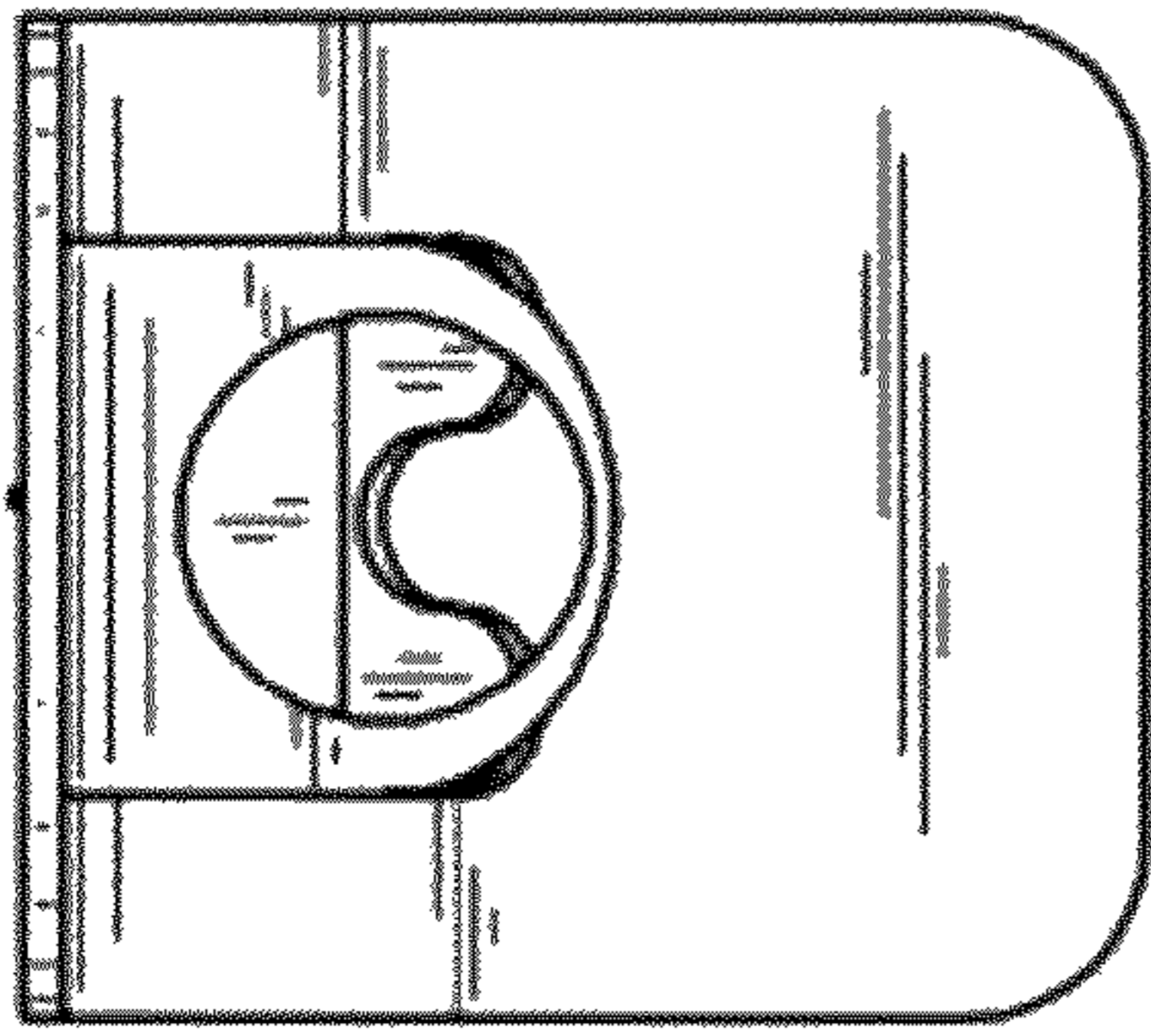


FIG. 5

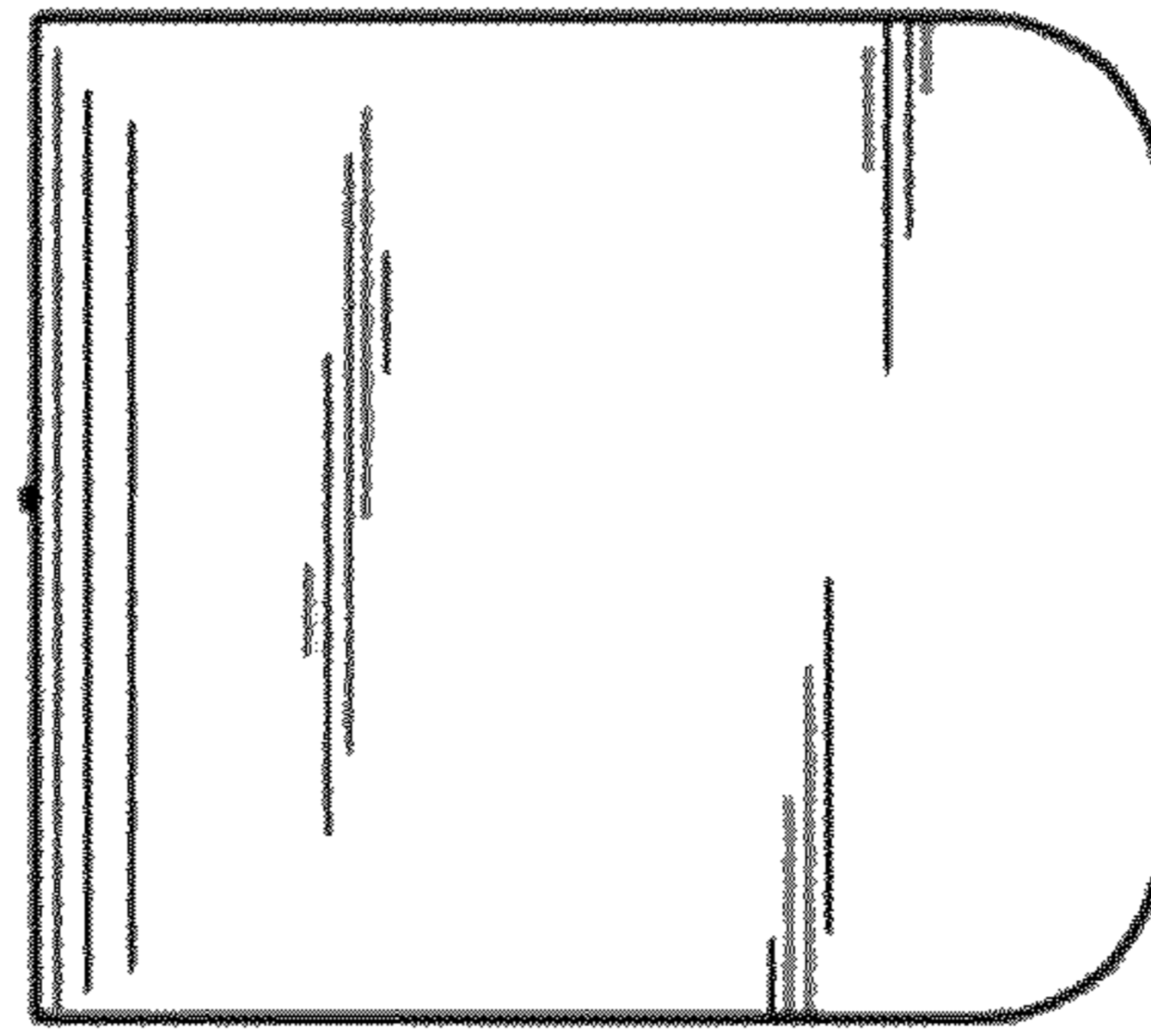


FIG. 6

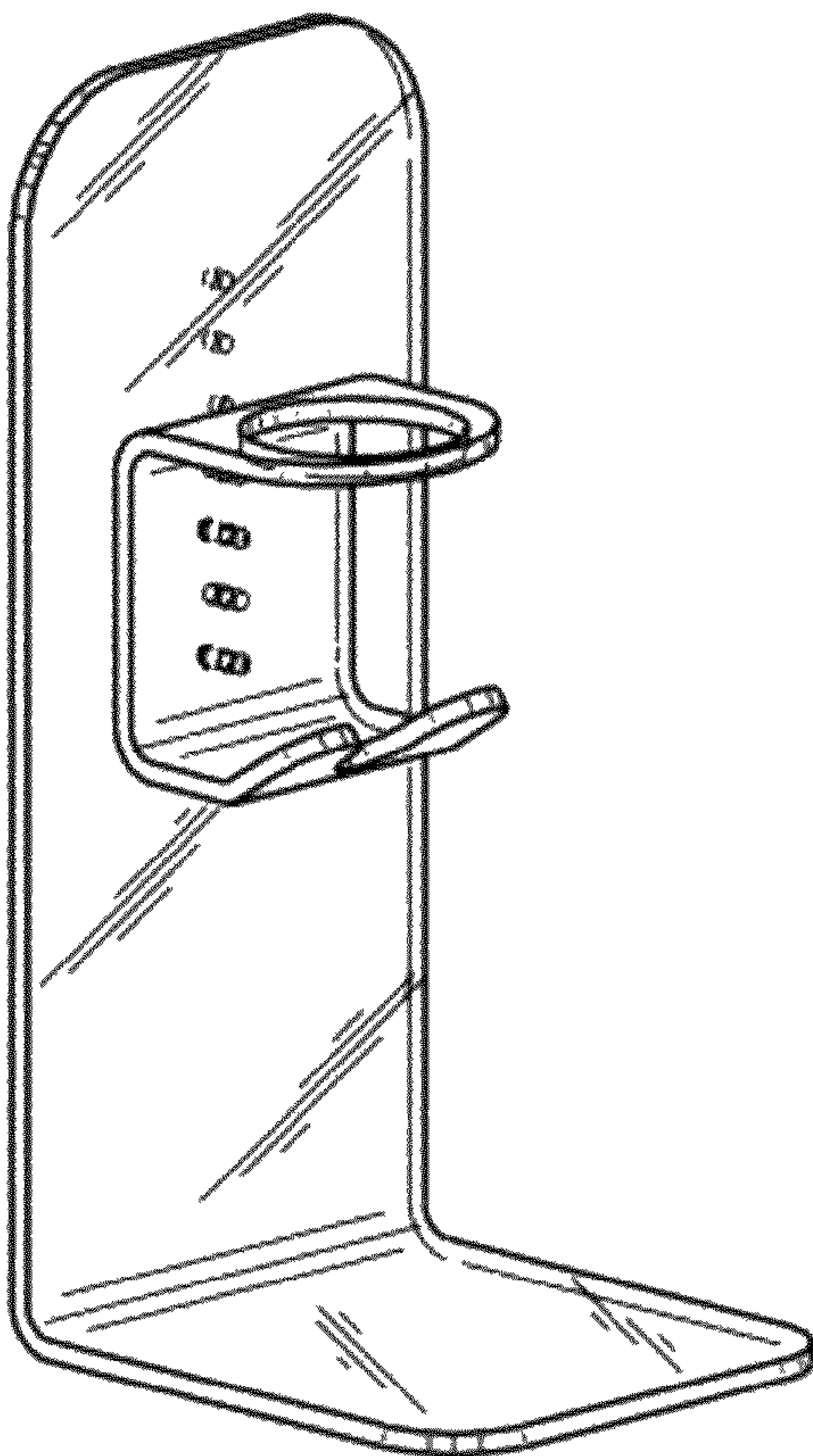


FIG. 7

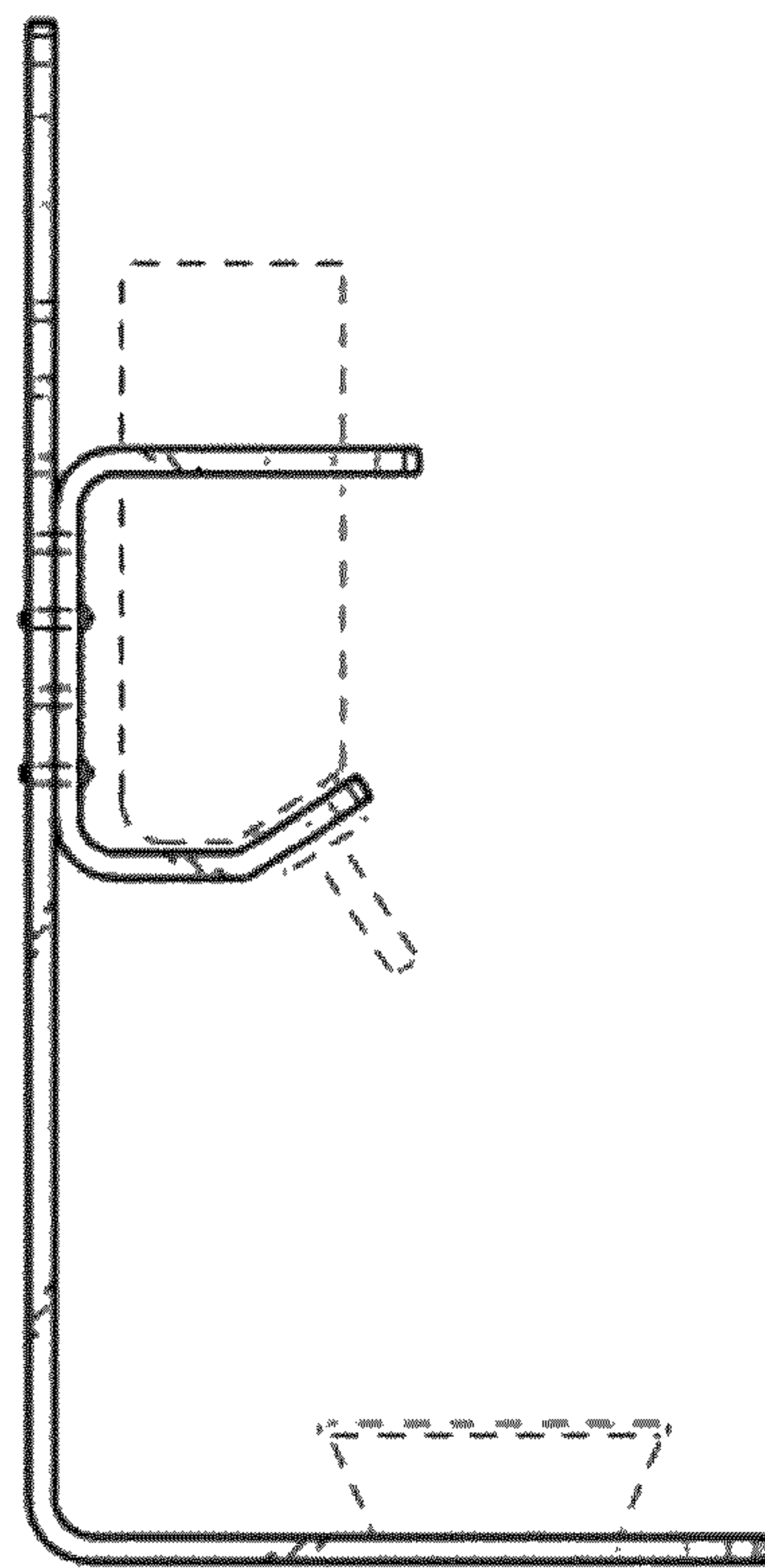


FIG. 8

FIG. 9

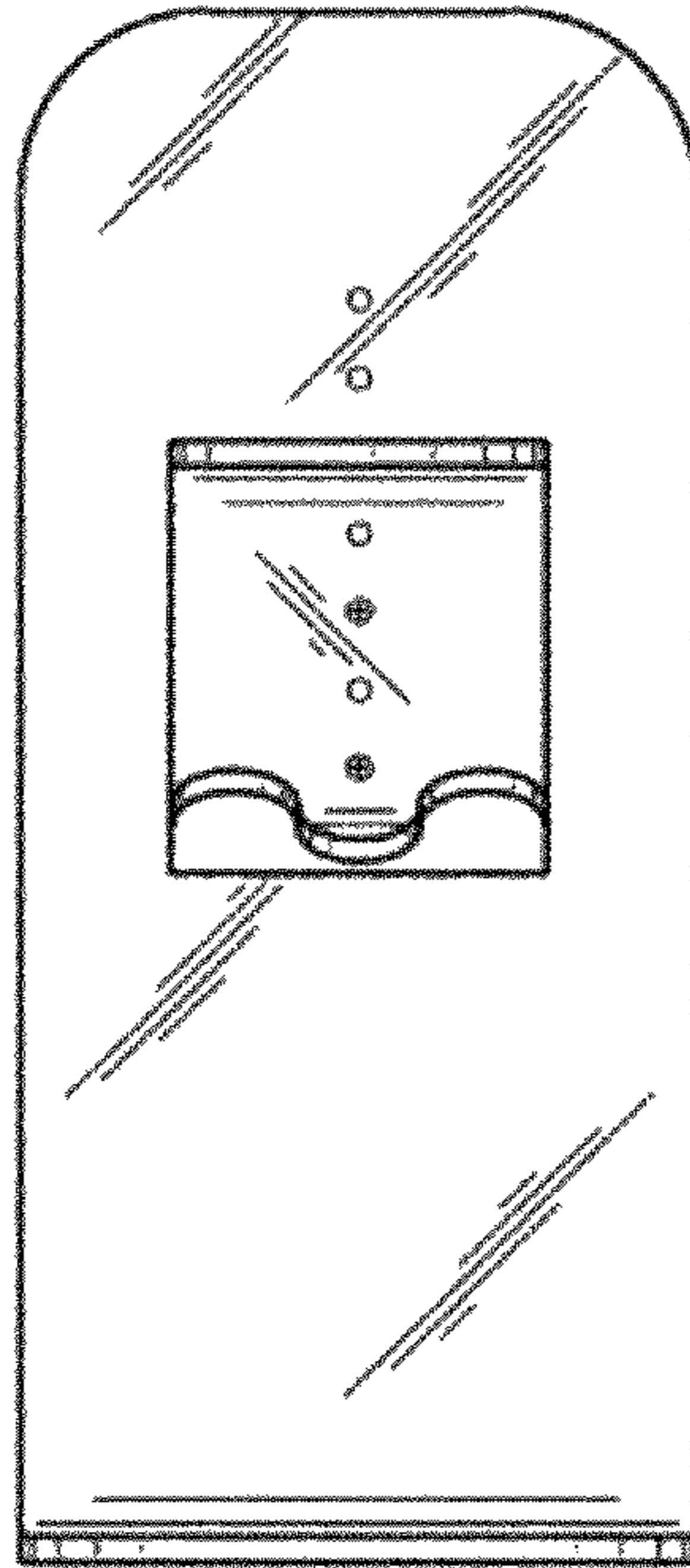


FIG. 10

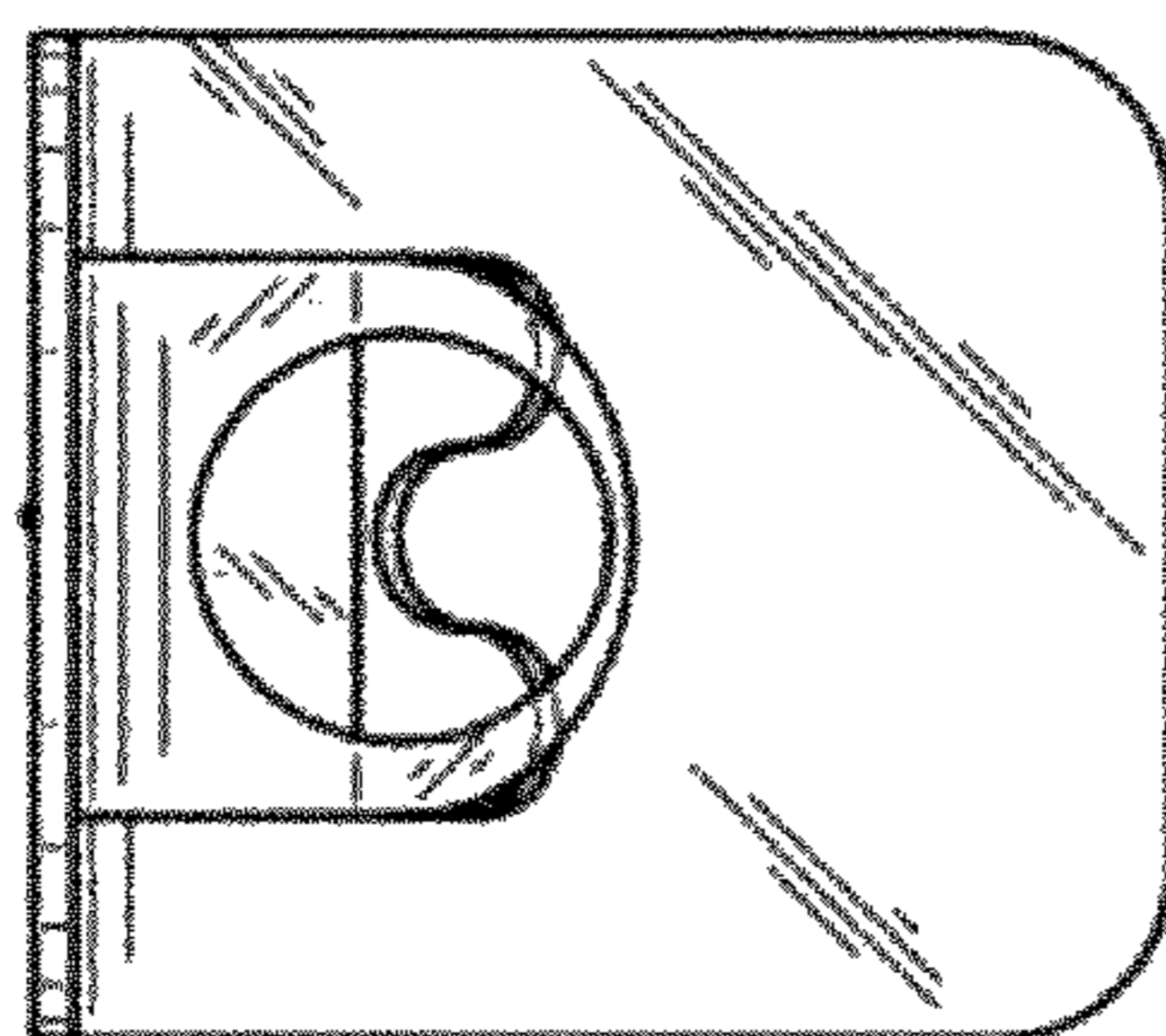
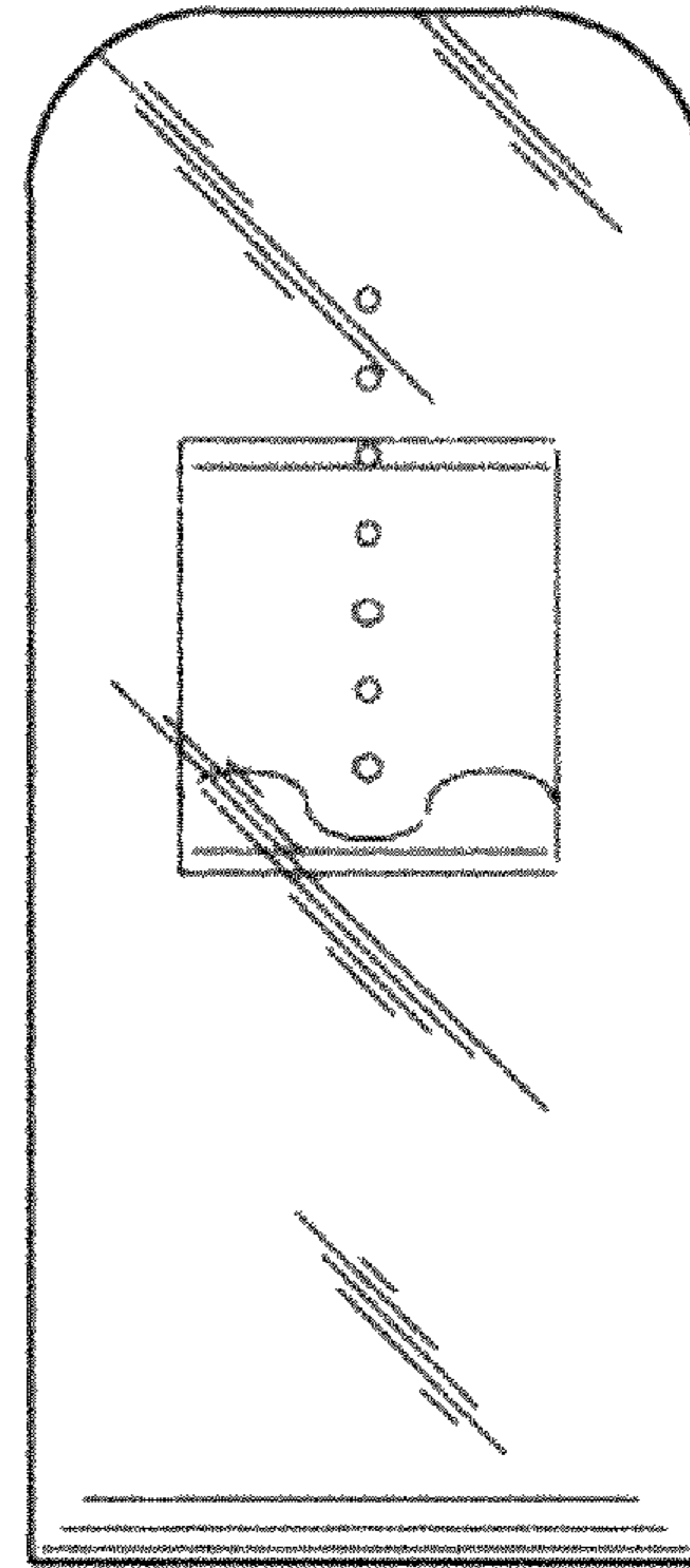


FIG. 11

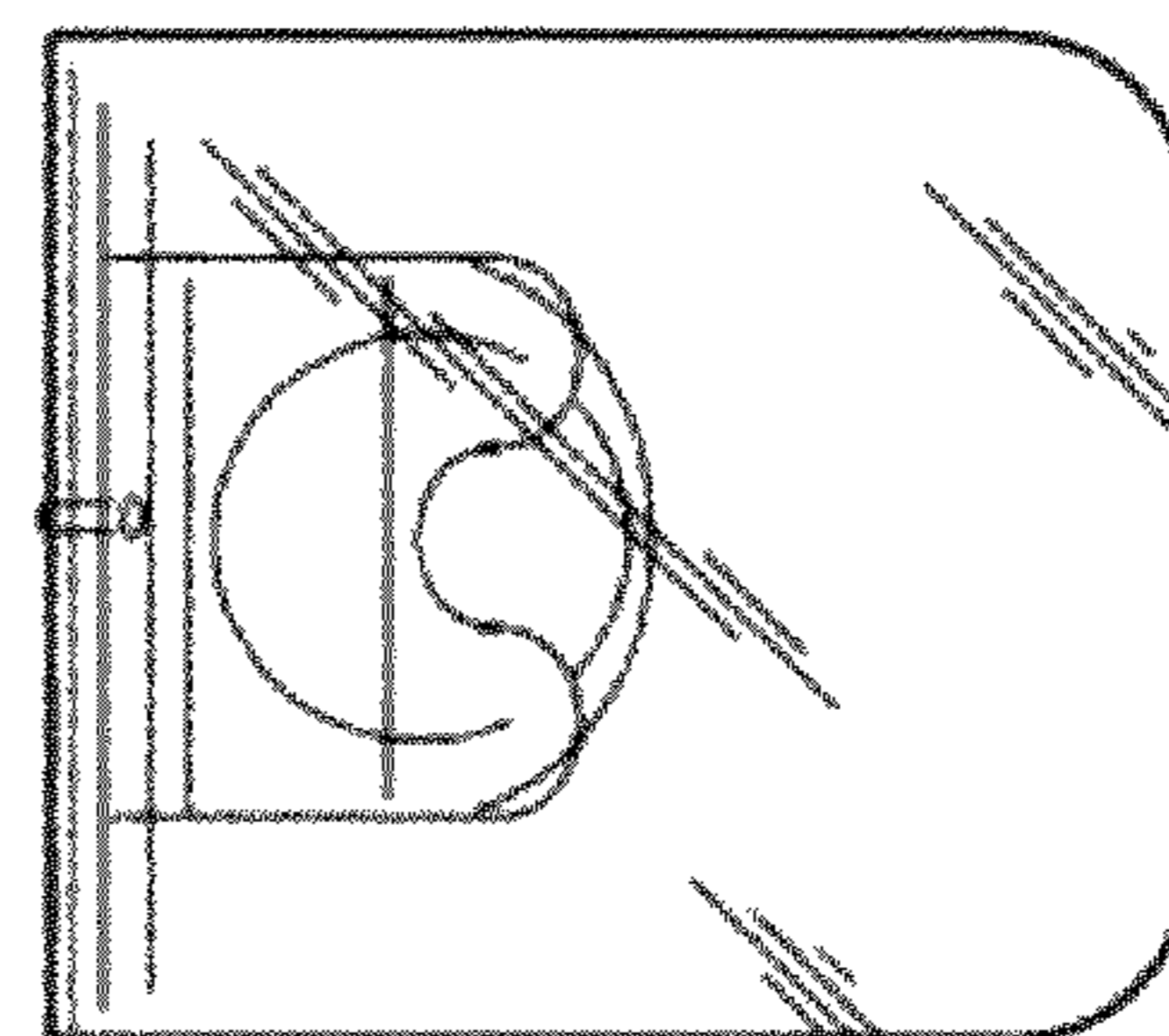


FIG. 12