



US00D659299S

(12) **United States Design Patent**  
**Obeyesekere**

(10) **Patent No.:** **US D659,299 S**  
(45) **Date of Patent:** **\*\* May 8, 2012**

(54) **PET WATERER WITH RIBBON BOTTLE DESIGN**

(75) Inventor: **Vas Obeyesekere**, Farmers Branch, TX (US)

(73) Assignee: **Doskocil Manufacturing Company, Inc.**, Arlington, TX (US)

(\*\*) Term: **14 Years**

(21) Appl. No.: **29/384,835**

(22) Filed: **Feb. 4, 2011**

(51) **LOC (9) Cl.** ..... **30-03**

(52) **U.S. Cl.** ..... **D30/132; D30/121; D30/129**

(58) **Field of Classification Search** ..... D30/123, D30/129, 132, 121; 119/69.5, 673, 57.8, 119/68, 74, 61.57, 78-81, 61.4, 57.9, 51.5, 119/61.5, 72; 47/66.6, 39, 67, 83; 239/27, 239/280, 200, 281, 280.5, 273, 16, 17, 20, 239/22; 4/644, 627, 638; D7/558; D11/144, D11/145, 153; D99/5, 24; 27/1; D23/201, D23/292; 248/127, 132, 137, 138, 158, 910; 215/10; D6/353, 352, 484, 360, 480, 488; 219/521; 329/442, 459

See application file for complete search history.

(56) **References Cited**

**U.S. PATENT DOCUMENTS**

4,034,715	A *	7/1977	Arner	119/51.5
4,134,365	A *	1/1979	Futers et al.	119/51.5
4,721,063	A *	1/1988	Atchley	119/52.1
D432,279	S *	10/2000	Kim	D30/121
D455,526	S *	4/2002	Chrisco et al.	D30/121

D457,275	S *	5/2002	Skurdalsvold et al.	D30/121
D457,692	S *	5/2002	Skurdalsvold et al.	D30/132
6,467,428	B1 *	10/2002	Andrisin et al.	119/51.5
D486,612	S *	2/2004	Ross	D30/132
6,739,284	B1 *	5/2004	Olive	119/74
D503,247	S *	3/2005	Ross	D30/132
6,863,025	B2 *	3/2005	Ness	119/72
7,146,930	B1 *	12/2006	Ness	119/77
D552,802	S *	10/2007	Kuster	D30/129
7,757,636	B2 *	7/2010	McCallum et al.	119/74
D637,769	S *	5/2011	Weber	D30/132
2008/0078330	A1 *	4/2008	McCallum et al.	119/72

\* cited by examiner

*Primary Examiner* — Susan Moon Lee

(74) *Attorney, Agent, or Firm* — Eckert Seamans Cherin & Mellott, LLC; Brij K. Agarwal

(57) **CLAIM**

I claim the ornamental design for a pet waterer with ribbon bottle design, as shown and described.

**DESCRIPTION**

FIG. 1 is a top-left perspective view of a pet waterer with ribbon bottle design.

FIG. 2 is a front elevation view of the pet waterer of FIG. 1.

FIG. 3 is a rear elevation view of the pet waterer of FIG. 1.

FIG. 4 is a left-side elevation view of the pet waterer of FIG. 1.

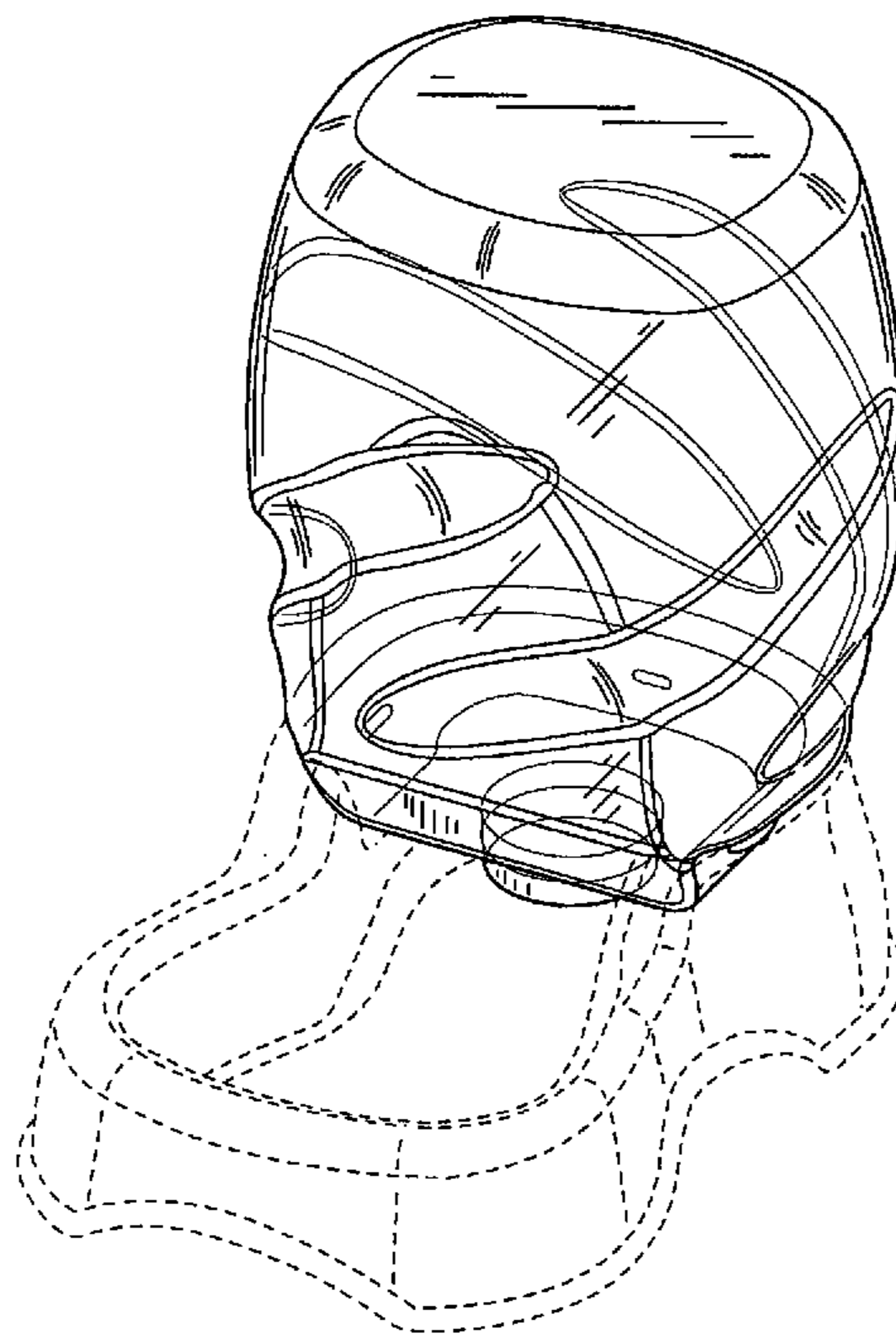
FIG. 5 is a right-side elevation view of the pet waterer of FIG. 1.

FIG. 6 is a top plan view of the pet waterer of FIG. 1; and,

FIG. 7 is a bottom plan view of the pet waterer of FIG. 1.

The portions in broken line are not claimed.

**1 Claim, 7 Drawing Sheets**



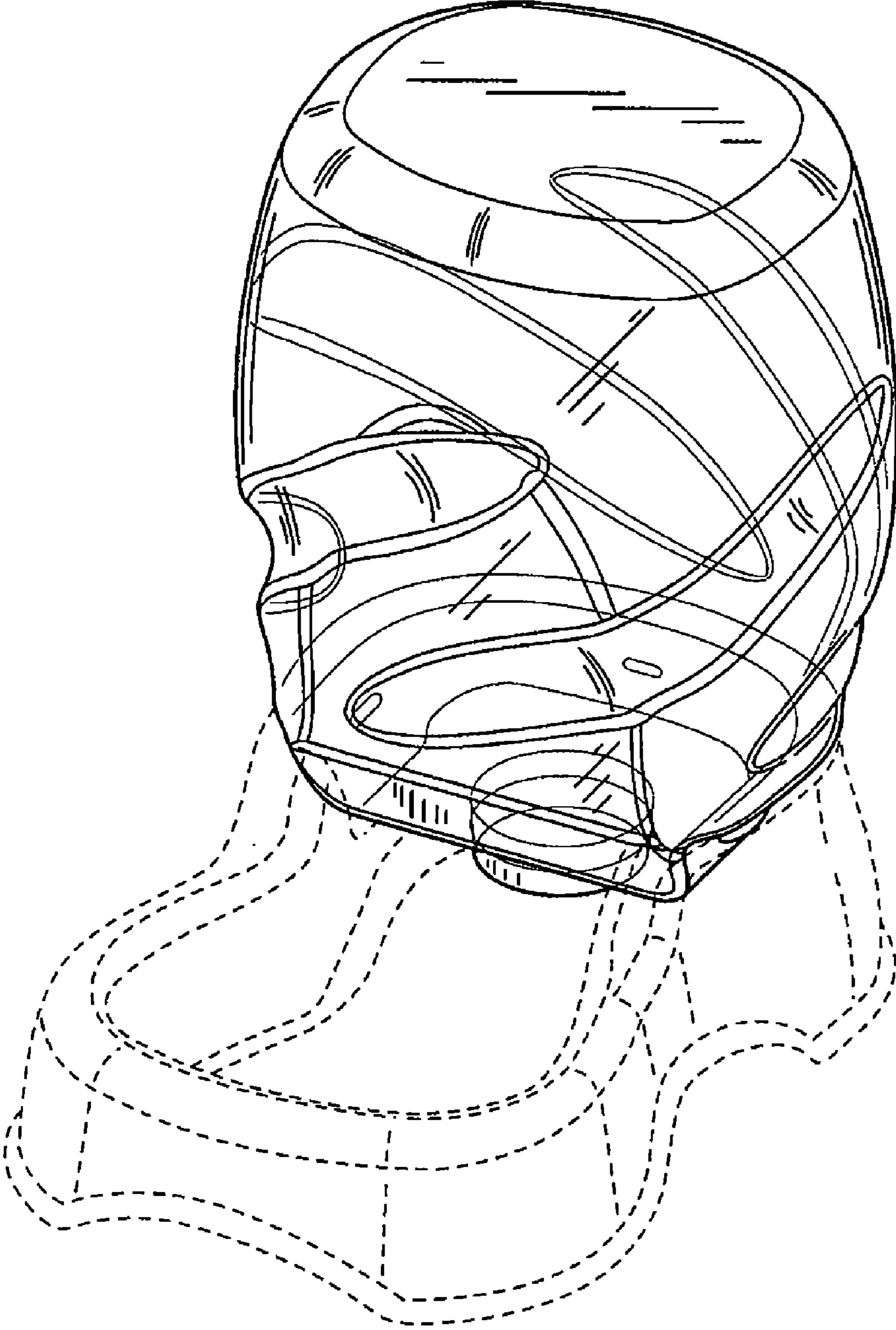


FIG. 1

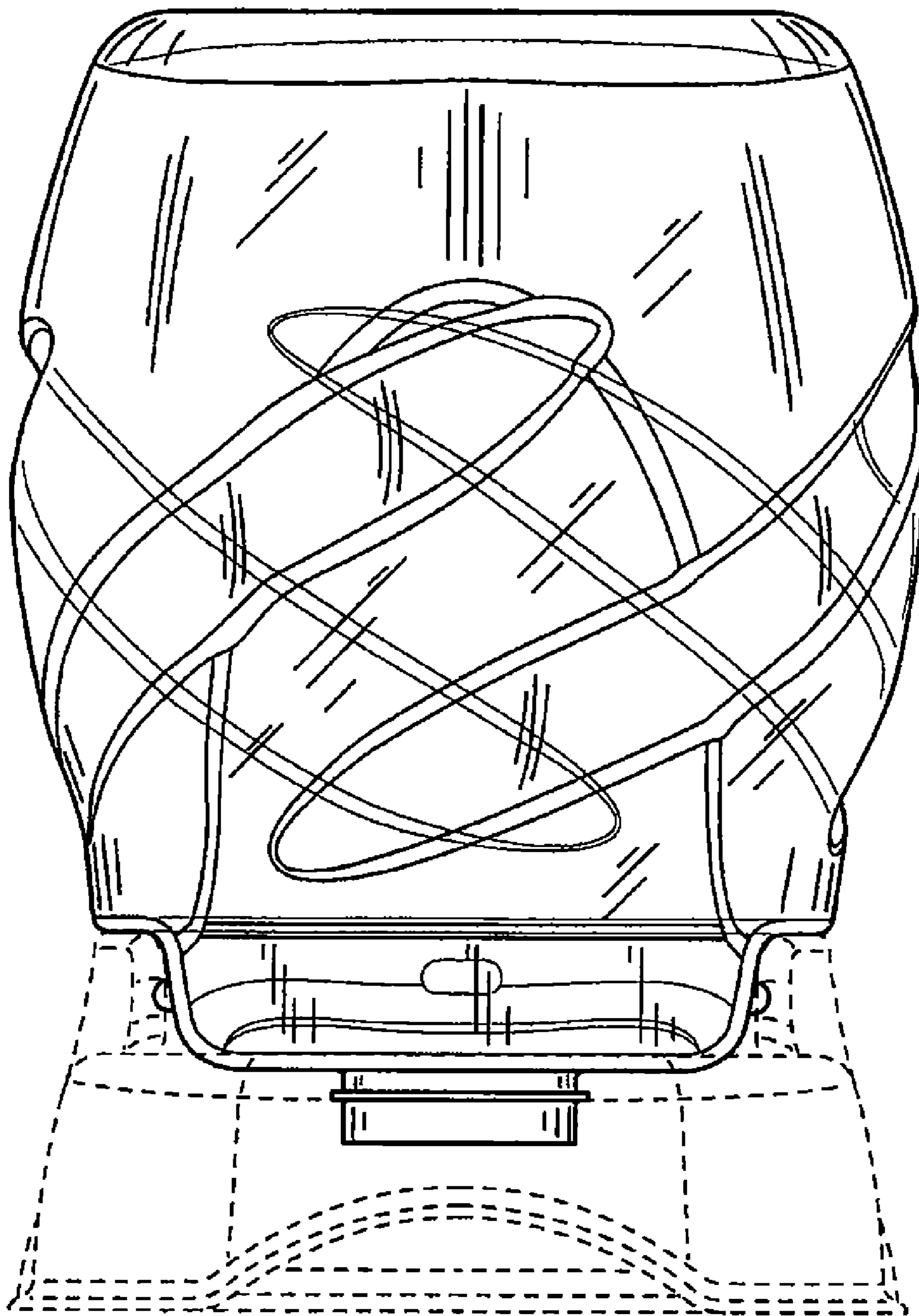


FIG. 2

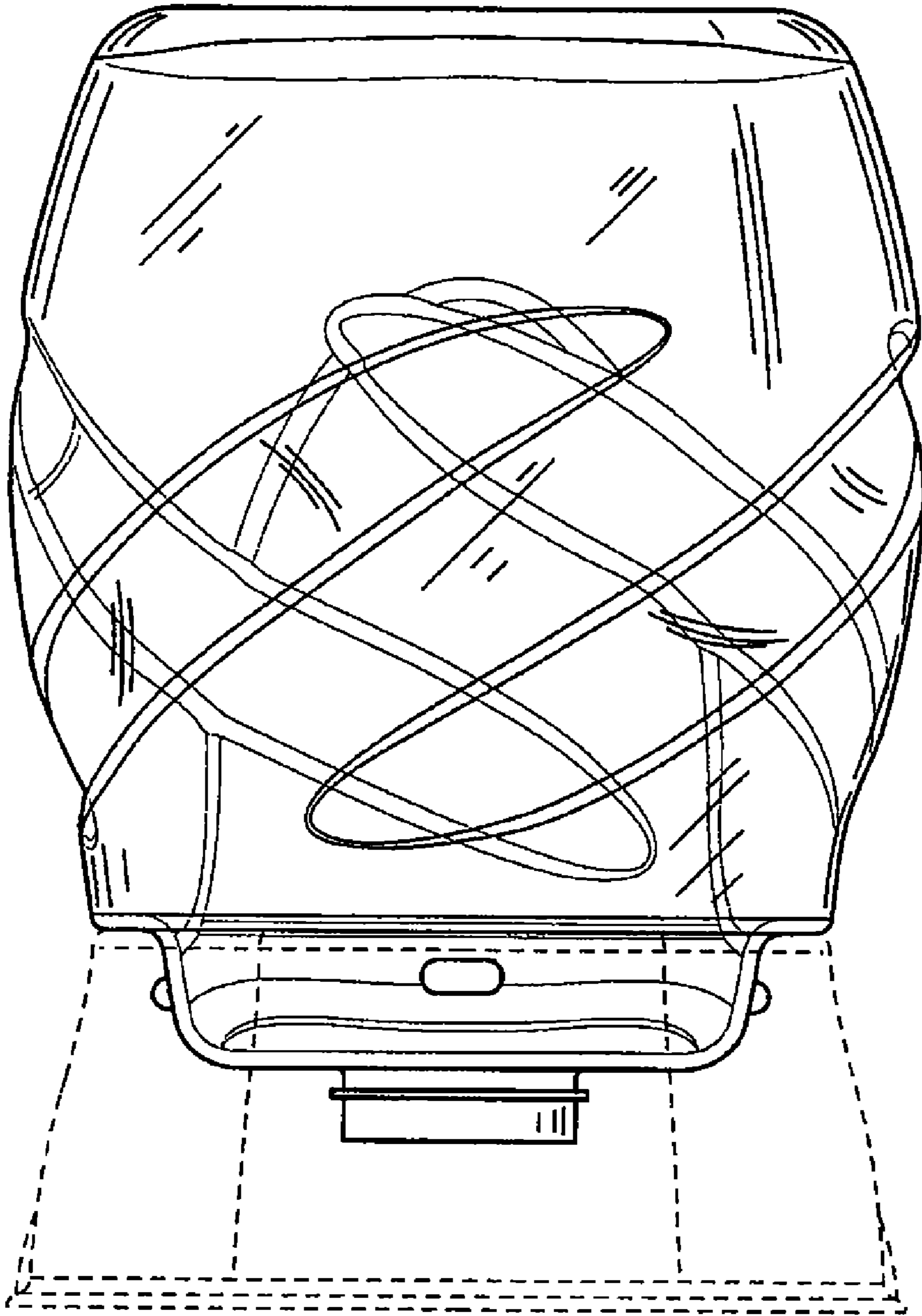


FIG.3



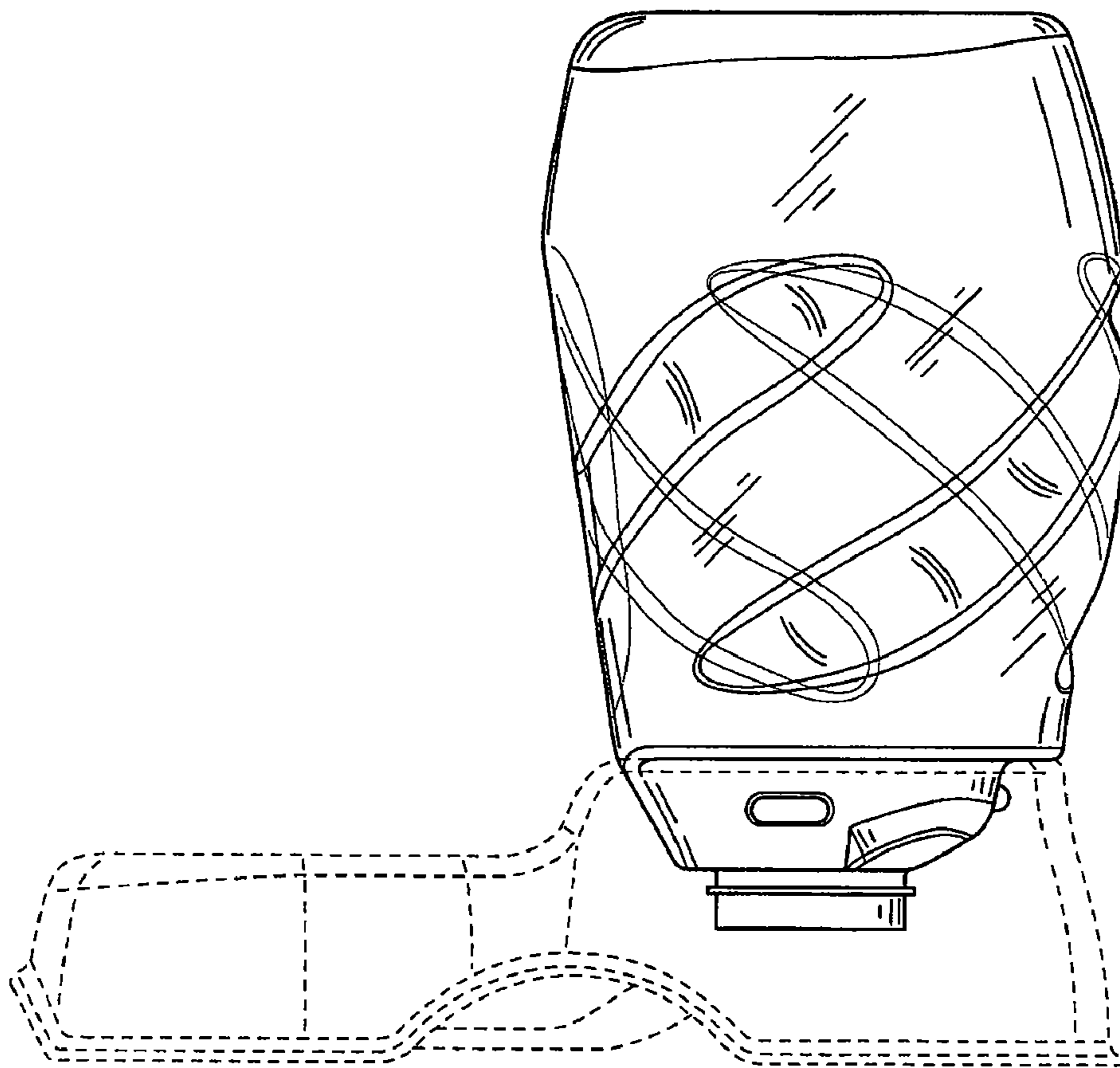


FIG.4

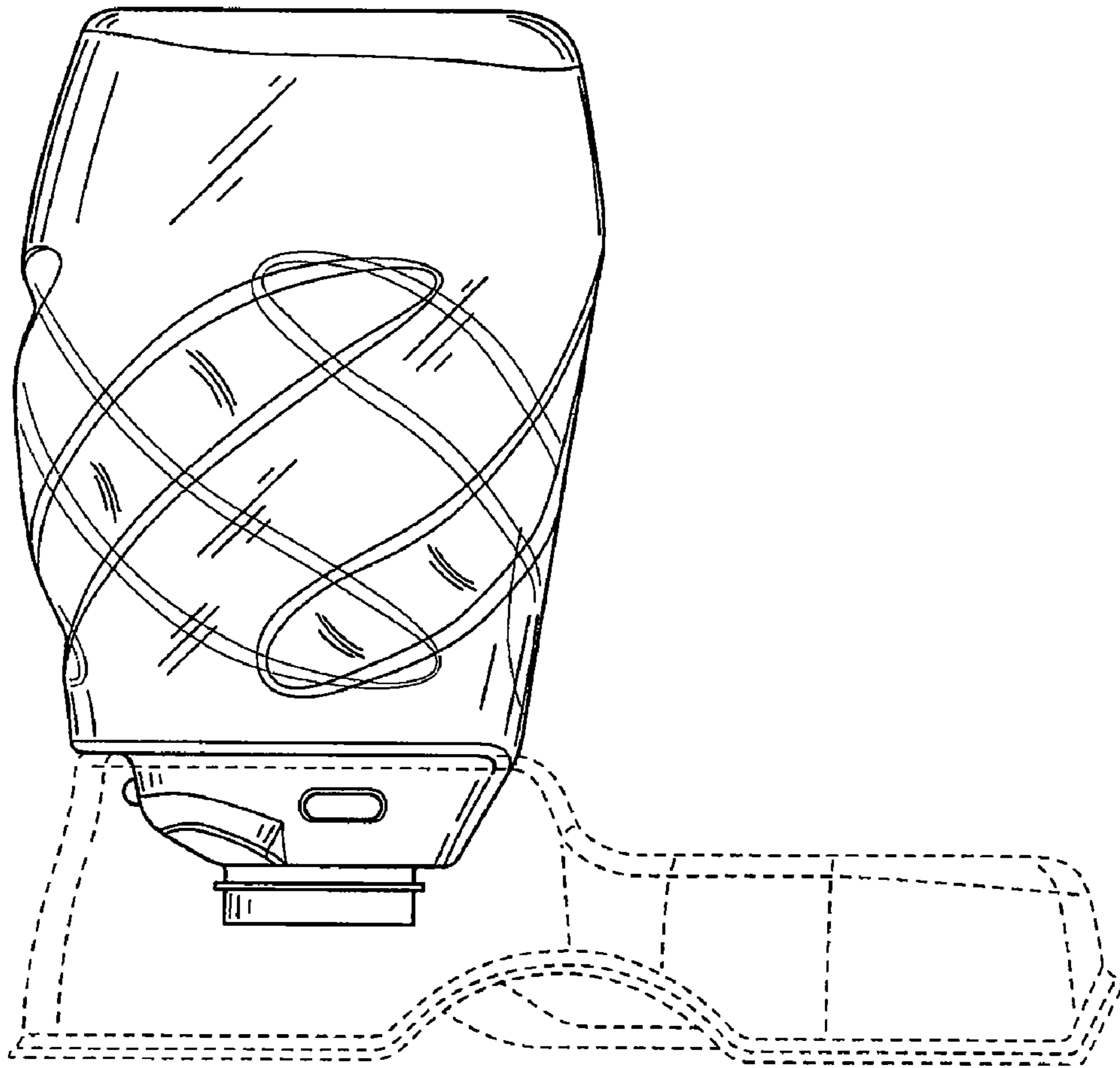


FIG.5

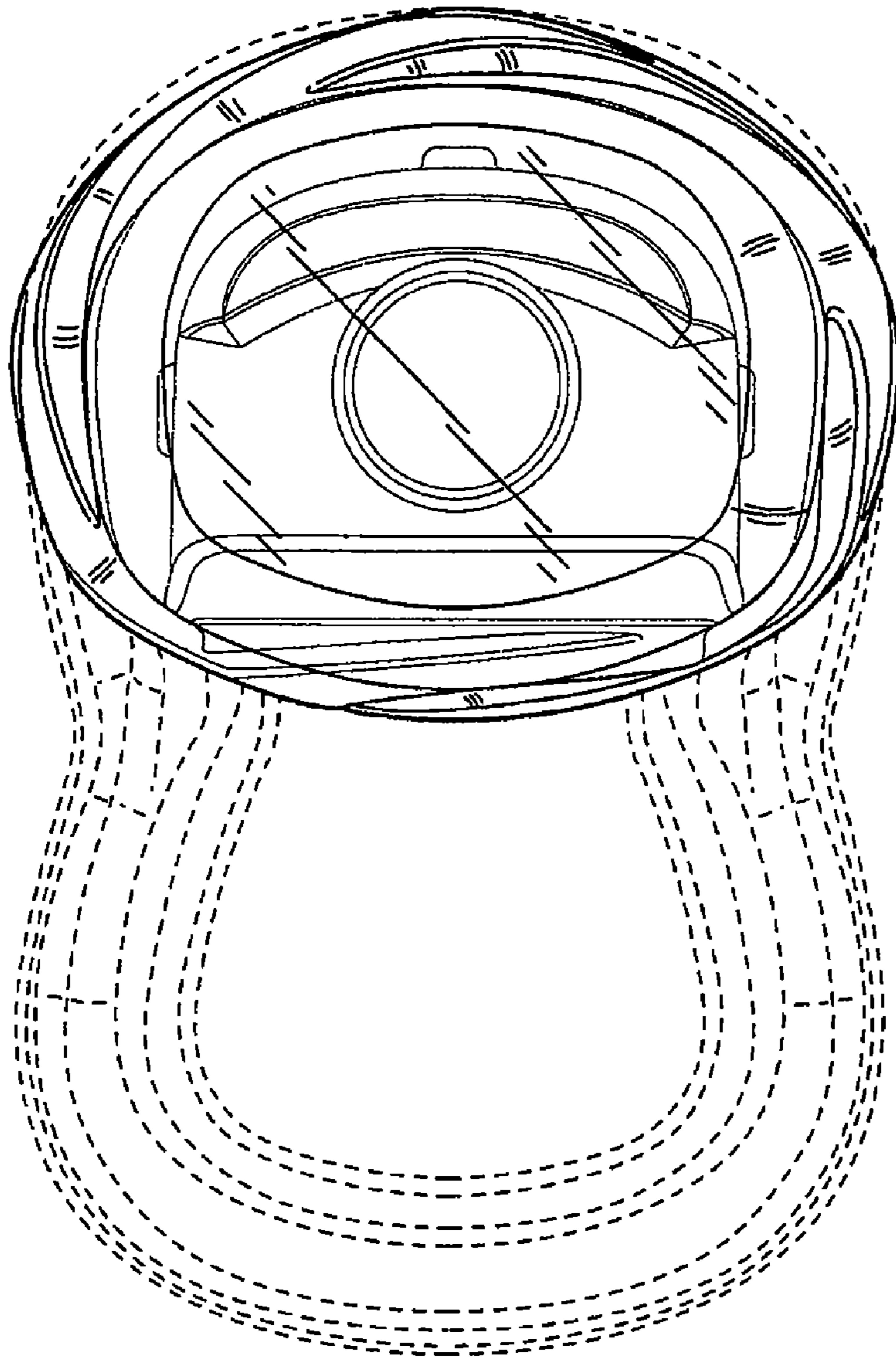


FIG.6

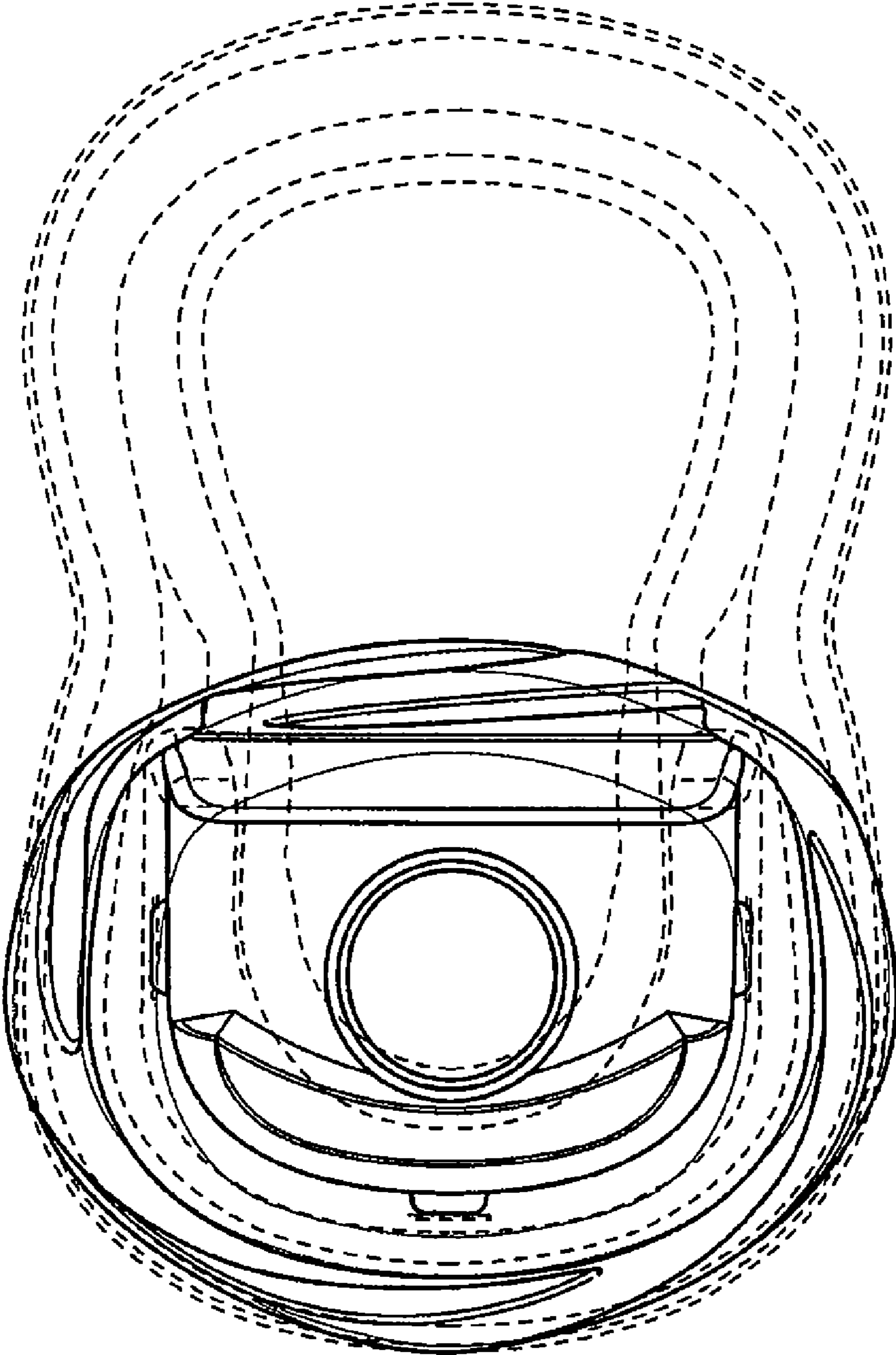


FIG.7