



US00D659296S

(12) **United States Design Patent**
Anderson

(10) **Patent No.:** **US D659,296 S**

(45) **Date of Patent:** **** May 8, 2012**

(54) **PET BOWL**

(75) Inventor: **Norman Anderson**, Brooklyn, NY (US)

(73) Assignee: **J.W. Pet Company, Inc.**, Teterboro, NJ (US)

(**) Term: **14 Years**

(21) Appl. No.: **29/388,393**

(22) Filed: **Mar. 29, 2011**

(51) **LOC (9) Cl.** **30-03**

(52) **U.S. Cl.** **D30/129; D30/130**

(58) **Field of Classification Search** D30/121,
D30/129-133; 119/61.5, 61.51-61.54, 61.57,
119/51.11, 72; D7/602, 359, 513-516; D9/429;
206/520; 99/354, 442
See application file for complete search history.

(56) **References Cited**

U.S. PATENT DOCUMENTS

0,075,673 A	3/1868	Gibson
D20,134 S	9/1890	Alden
459,032 A	9/1891	Worthley
472,316 A	4/1892	Smith
0,472,316 A	4/1892	Smith
0,495,872 A	4/1893	Ball
D22,986 S	12/1893	Babbitt
0,571,196 A	2/1897	Johnson
0,603,492 A	5/1898	Waterer
0,670,487 A	3/1901	Van Wagner
0,747,677 A	12/1903	Bierley
D43,525 S	2/1913	Dunn
1,224,305 A	5/1917	Kraus
D54,074 S	11/1919	Fritz
D56,761 S	12/1920	Miller
1,562,620 A	11/1925	Dill
D70,354 S	6/1926	Bennett
1,600,055 A	9/1926	Meyer
1,831,593 A	11/1931	Garvey
1,891,077 A	12/1932	Beach
D89,262 S	2/1933	Nunimaker
2,053,949 A	9/1936	Emery
D105,450 S	7/1937	Clifton
D105,812 S	8/1937	Siekert
2,103,083 A	12/1937	Lynch

2,174,725 A	10/1939	Hutaff, Jr.
2,178,812 A	11/1939	Schade
2,191,811 A	2/1940	Trampier, Sr.
2,211,330 A	8/1940	Hochberg
2,213,837 A	9/1940	Gill
2,259,682 A	10/1941	Collins

(Continued)

FOREIGN PATENT DOCUMENTS

GB	2 271 705	4/1994
----	-----------	--------

(Continued)

OTHER PUBLICATIONS

United States Office Action dated Mar. 11, 2004, from corresponding U.S. Appl. No. 29/173,764, now U.S. Patent D497,457.

(Continued)

Primary Examiner — Susan Moon Lee

(74) *Attorney, Agent, or Firm* — Katten Muchin Rosenman LLP

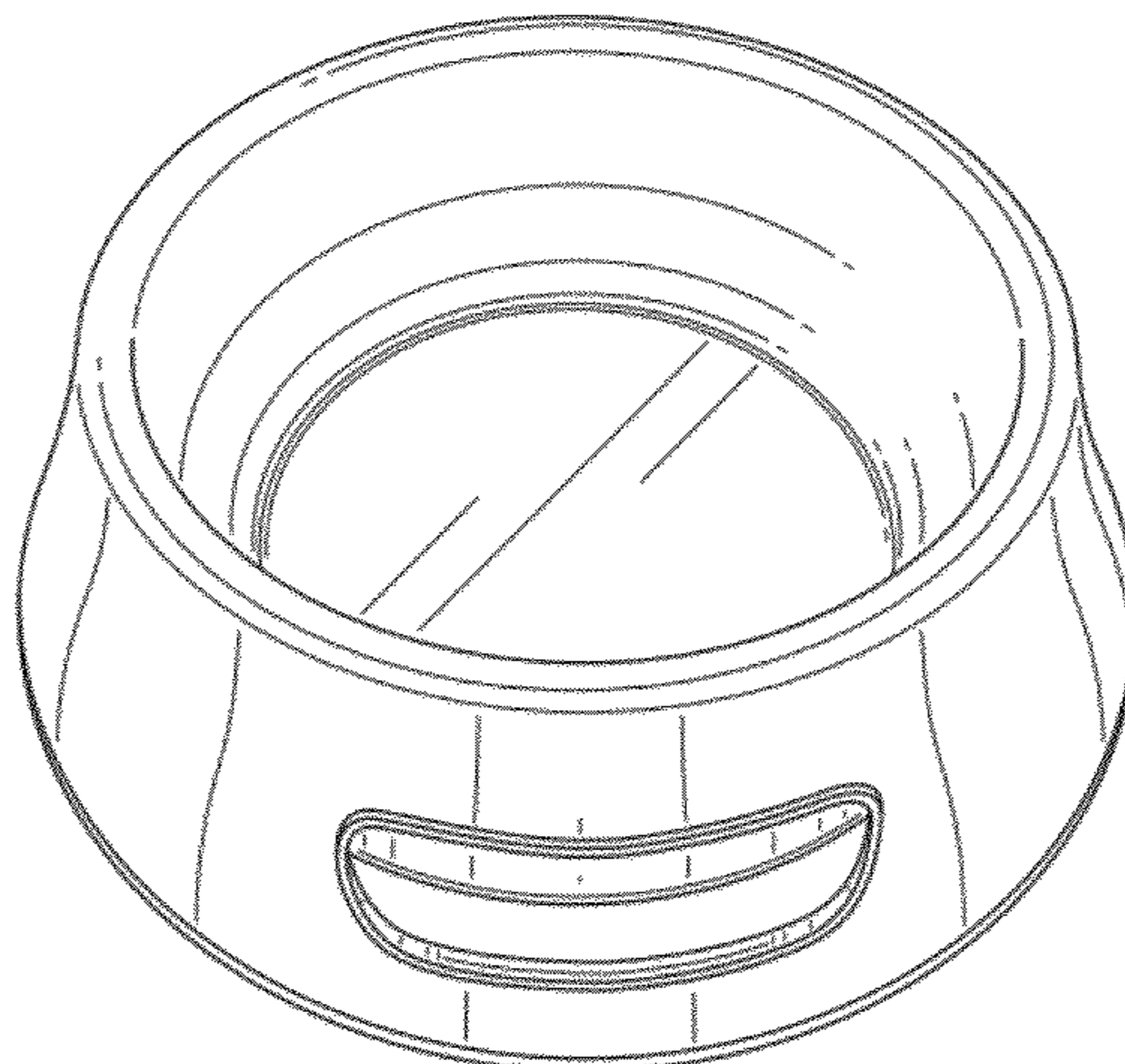
(57) **CLAIM**

I claim the ornamental design for a pet bowl, as shown and described.

DESCRIPTION

FIG. 1 is a perspective view of a first embodiment of a pet bowl;
FIG. 2 is a front view thereof;
FIG. 3 is a rear view thereof;
FIG. 4 is a left side view thereof;
FIG. 5 is a right side view thereof;
FIG. 6 is a top view thereof; and
FIG. 7 is a bottom view thereof;
FIG. 8 is a perspective view of a second embodiment of a pet bowl
FIG. 9 is a front view thereof;
FIG. 10 is a rear view thereof;
FIG. 11 is a left side view thereof;
FIG. 12 is a right side view thereof;
FIG. 13 is a top view thereof; and,
FIG. 14 is a bottom view thereof.
The broken lines shown do not form part of the claimed design.

1 Claim, 10 Drawing Sheets



US D659,296 S

U.S. PATENT DOCUMENTS					
2,419,834 A	4/1947	Grindstaff	4,106,658 A	8/1978	Brandon
D156,331 S	12/1949	French	D249,605 S	9/1978	Skermetta
D157,803 S	3/1950	Ulmer	4,127,189 A	11/1978	Shumrak et al.
D158,159 S	4/1950	Verlod	D253,373 S	11/1979	Celeste
2,521,703 A	9/1950	Emmitt	4,208,836 A	6/1980	Kramer
D160,890 S	11/1950	Reifsnnyder et al.	D256,958 S	9/1980	Markham
2,554,086 A	5/1951	Block	D257,494 S	11/1980	Imhoff
2,584,301 A	2/1952	Sinclair	D258,018 S	1/1981	Venditto et al.
D166,410 S	4/1952	Press	D259,669 S	6/1981	Peterson
D167,555 S	8/1952	Bisharat	4,270,490 A	6/1981	Kopp
2,677,350 A	5/1954	Prestidge et al.	D261,465 S	10/1981	Minchew
2,699,752 A	1/1955	Reyes	D262,069 S	11/1981	Khider
2,783,046 A	2/1957	Lien	4,335,679 A	6/1982	Carlin
D180,676 S	7/1957	Thorpe	4,357,905 A	11/1982	Carpenter
2,813,509 A	11/1957	Bruno	D267,221 S	12/1982	Williams
2,905,351 A	9/1959	Lerner	4,363,354 A	12/1982	Strickland
D186,415 S	10/1959	Ikeda	4,378,007 A	3/1983	Kachadourian
2,928,372 A	3/1960	Farley	D269,386 S	6/1983	Khider
2,990,640 A	7/1961	Burnbaum	D270,323 S	8/1983	Powers
D191,058 S	8/1961	Jones	4,428,325 A	1/1984	Koch
3,076,579 A	2/1963	Kuhlman	4,436,056 A	3/1984	MacLeod
D194,784 S	3/1963	Van Vorhis	D274,781 S	7/1984	Baker et al.
D197,574 S	2/1964	Gulotta	D278,167 S	3/1985	Kilham
3,180,316 A	4/1965	Chatfield et al.	4,532,891 A	8/1985	Jones
D201,670 S	7/1965	Moore	4,576,118 A	3/1986	Meadows
3,195,510 A	7/1965	Bernstein	D283,496 S	4/1986	Pisarkiewicz
3,198,173 A	8/1965	Fisher	4,585,416 A	4/1986	DeNiro et al.
3,266,533 A *	8/1966	McHale 141/364	4,603,851 A	8/1986	Russell
D207,167 S	3/1967	Fisher	D288,053 S	2/1987	Maza et al.
3,349,739 A	10/1967	Griese, Jr.	4,658,759 A	4/1987	Brown
D209,677 S	12/1967	Robert	D289,807 S	5/1987	Russell
D212,191 S	9/1968	Mineo	D292,446 S	10/1987	Gilbert
3,405,685 A	10/1968	Harrell	4,699,089 A	10/1987	Teschke
3,455,280 A	7/1969	Keene	4,701,131 A	10/1987	Hildebrandt et al.
3,491,724 A	1/1970	Sunner	D293,767 S	1/1988	Powers
3,498,268 A	3/1970	Sleith et al.	4,721,063 A	1/1988	Atchley
D217,360 S	4/1970	Robert	D294,531 S	3/1988	Neunzig
3,521,788 A	7/1970	Kandel et al.	D296,020 S	5/1988	McCarroll
D219,284 S	11/1970	Hunt	4,756,420 A	7/1988	Deaton
3,578,524 A	5/1971	Ignell	4,800,845 A	1/1989	Budd
3,611,998 A	10/1971	Loscalzo	D299,771 S	2/1989	Kennedy
3,622,036 A	11/1971	Bongaerts	4,802,444 A	2/1989	Markham et al.
3,633,587 A	1/1972	Hunt	4,803,954 A	2/1989	Welch et al.
3,651,787 A	3/1972	Cooper	4,832,200 A	5/1989	Deaton et al.
3,653,362 A	4/1972	Davis	D302,753 S	8/1989	Zelinger
3,664,304 A	5/1972	Carter	D302,756 S	8/1989	Trine
3,671,008 A	6/1972	Villalba, Jr.	4,857,333 A	8/1989	Harold
3,698,594 A	10/1972	Boehlert	D303,728 S	10/1989	Spanier et al.
3,722,476 A	3/1973	Van Ness et al.	4,886,016 A	12/1989	Atchley
D226,692 S	4/1973	Sherman	D305,846 S	2/1990	Griffith
3,734,062 A	5/1973	O'Hara	D305,950 S	2/1990	Spiel et al.
D227,139 S	6/1973	Niven	D305,951 S	2/1990	Spiel et al.
3,763,826 A	10/1973	Portelli	4,905,629 A	3/1990	Hand et al.
D229,074 S	11/1973	Cuprak	4,953,506 A	9/1990	Sanders
3,776,193 A	12/1973	Post, Sr.	D312,515 S	11/1990	Hall
D230,034 S	1/1974	Goldman et al.	D313,486 S	1/1991	Conner
3,788,583 A	1/1974	Byrd	D313,487 S	1/1991	Conner
3,810,446 A	5/1974	Kightlinger et al.	D313,488 S	1/1991	Conner
3,830,202 A	8/1974	Garrison	D313,489 S	1/1991	Conner
D232,658 S	9/1974	Fassauer	4,981,108 A	1/1991	Faeroe
3,838,772 A	10/1974	Lang et al.	4,986,433 A	1/1991	Davis
D234,789 S	4/1975	Rosenberg	5,000,123 A	3/1991	Morse et al.
3,889,950 A	6/1975	Kasravi	D315,974 S	4/1991	Steiner
D236,412 S	8/1975	Koretz et al.	5,031,575 A	7/1991	Phillips
D237,787 S	11/1975	Weyrich, Jr. et al.	5,037,084 A	8/1991	Flor
3,958,504 A	5/1976	Levin	D320,495 S	10/1991	Pallesen
3,991,719 A	11/1976	Bruce	D321,572 S *	11/1991	Laden D30/129
3,995,595 A	12/1976	Williams	5,069,166 A	12/1991	Ahuna
4,011,951 A	3/1977	Boyer	D325,684 S	4/1992	Deare
D244,216 S	5/1977	Gerber	5,105,769 A	4/1992	Smith et al.
D244,948 S	7/1977	Foley et al.	5,113,798 A	5/1992	Rera
D245,104 S	7/1977	Gross	5,125,184 A	6/1992	Anderson
4,044,723 A	8/1977	Fitzpatrick	D329,681 S	9/1992	Demarest et al.
4,050,184 A	9/1977	Chiari	5,147,980 A	9/1992	Ferguson, Jr.
D246,627 S	12/1977	Sugiyama	D330,785 S	11/1992	Jordan
4,085,706 A	4/1978	Evans	5,169,023 A	12/1992	Heiberg et al.
4,089,498 A	5/1978	Woodruff	D333,937 S	3/1993	Prosser
D248,076 S	6/1978	Christian	5,193,487 A	3/1993	Vogel
			5,205,242 A	4/1993	Kasselman

US D659,296 S

5,207,420 A	5/1993	Crawford et al.	5,782,201 A	7/1998	Wells
D337,398 S	7/1993	Axelrod	5,782,374 A	7/1998	Walker
RE34,352 E	8/1993	Markham et al.	5,787,839 A	8/1998	Magnant et al.
5,236,196 A	8/1993	Blankenburg et al.	5,794,564 A	8/1998	Paro
D340,552 S	10/1993	Smith	5,800,244 A	9/1998	Barton, Jr.
5,253,609 A	10/1993	Partelow et al.	5,813,638 A	9/1998	Morris
5,263,436 A	11/1993	Axelrod	D399,569 S	10/1998	Wier et al.
D342,352 S *	12/1993	Embrey D30/129	D400,620 S	11/1998	Barton, Jr.
5,277,149 A	1/1994	East	D400,672 S	11/1998	Kramer et al.
D344,370 S	2/1994	Dryden et al.	D401,475 S	11/1998	Ritchey
D344,591 S	2/1994	Zhuang	5,855,185 A	1/1999	Scott
5,297,504 A	3/1994	Carrico	5,857,427 A	1/1999	Kelley
D348,915 S	7/1994	Fraser	D405,561 S	2/1999	Willinger et al.
D349,786 S	8/1994	Markham	D405,900 S	2/1999	Driscoll
5,339,771 A	8/1994	Axelrod	5,881,670 A	3/1999	Pelsor
5,341,596 A	8/1994	Kao	5,887,545 A	3/1999	Cuttress
D351,464 S	10/1994	Kramer et al.	D407,868 S	4/1999	Axelrod
5,352,465 A	10/1994	Gondek et al.	D408,482 S	4/1999	Morrison
5,366,103 A	11/1994	Abernathy et al.	5,904,264 A	5/1999	Yamada et al.
5,392,948 A	2/1995	McEntee	D410,780 S	6/1999	McGinty
D356,355 S	3/1995	Martin	D412,377 S	7/1999	Sharon
D357,952 S	5/1995	Chen	D412,605 S	8/1999	Sharon
D358,738 S	5/1995	Brown et al.	D412,767 S	8/1999	Bemis et al.
5,419,283 A	5/1995	Leo	5,938,162 A	8/1999	Honjo
5,419,454 A	5/1995	Stowell et al.	D414,303 S	9/1999	Sharon
D359,327 S	6/1995	Gould	5,979,361 A	11/1999	Willinger
5,423,452 A	6/1995	Tardif	5,989,604 A	11/1999	Wolf et al.
D364,998 S	12/1995	Held	5,996,531 A	12/1999	Anderson
5,474,033 A	12/1995	Mitchell, Jr.	D418,639 S	1/2000	Simon
5,478,034 A	12/1995	Cunningham et al.	6,032,824 A	3/2000	Barrow
5,480,143 A	1/1996	McMurry	D422,761 S	4/2000	Zalevsky
5,485,937 A	1/1996	Tseng	D422,843 S	4/2000	Rashid
D367,504 S	2/1996	Barzani	D423,149 S	4/2000	Cooper et al.
5,488,927 A	2/1996	Lorenzana et al.	D423,733 S	4/2000	Choi et al.
5,501,176 A	3/1996	Tully	D423,880 S	5/2000	Rashid
5,509,376 A	4/1996	Tsengas	D424,281 S	5/2000	Jebber et al.
D370,147 S	5/1996	Petronio	D424,757 S	5/2000	Cooper et al.
D370,314 S	5/1996	Pearson-Falcon	6,062,166 A	5/2000	Macrina
5,526,773 A	6/1996	Richardson	6,065,428 A	5/2000	Fronk
D372,750 S	8/1996	Schloss	D426,104 S	6/2000	Bradley
5,544,377 A	8/1996	Gostine	D427,389 S	6/2000	Baiera et al.
5,546,894 A	8/1996	St-Pierre	D427,390 S	6/2000	Gill
D373,449 S	9/1996	Chen	D427,391 S	6/2000	Gill
D374,513 S	10/1996	Melvin	D428,136 S	7/2000	Cady et al.
D374,517 S	10/1996	Morrill	6,082,301 A	7/2000	Kramer
5,560,315 A	10/1996	Lampe	6,093,441 A	7/2000	Axelrod
5,560,732 A	10/1996	Kulp et al.	6,098,571 A	8/2000	Axelrod et al.
5,564,345 A	10/1996	Crawford et al.	6,112,698 A	9/2000	Zelinger
5,564,362 A	10/1996	Fiveash	6,119,628 A	9/2000	Lorenzana et al.
5,564,363 A	10/1996	Soffici	D431,886 S	10/2000	Owens
D375,819 S	11/1996	Benson	D432,741 S	10/2000	Owens
5,570,655 A	11/1996	Targa	6,145,474 A	11/2000	Lemkin
5,577,461 A	11/1996	Sebastian et al.	6,152,319 A	11/2000	Kamachi et al.
D376,449 S	12/1996	Axelrod	D435,660 S	12/2000	Yoo
5,584,263 A	12/1996	Sexton	6,159,508 A	12/2000	Wolf et al.
D377,244 S	1/1997	Steininger	D439,707 S	3/2001	Hansen et al.
5,601,012 A	2/1997	Ellner	6,202,598 B1	3/2001	Willinger
5,619,952 A	4/1997	Walker	6,209,487 B1	4/2001	Quinlan et al.
D379,223 S	5/1997	Kramer et al.	6,220,980 B1	4/2001	Adler
5,626,256 A	5/1997	Onneweer	D441,621 S	5/2001	Levy
5,628,276 A	5/1997	Raposa	6,230,653 B1	5/2001	Tobin
5,638,638 A	6/1997	Moskowitz	6,237,532 B1	5/2001	Derr
D380,879 S	7/1997	Hernandez	D443,395 S *	6/2001	Suns D30/129
5,647,302 A	7/1997	Shipp	D444,034 S	6/2001	Miller et al.
5,649,499 A	7/1997	Krietzman et al.	D446,361 S	8/2001	Elliott
D382,382 S	8/1997	Weinacker, Jr.	D446,362 S	8/2001	Choi et al.
D383,031 S	9/1997	Cousins	D450,894 S	11/2001	Suchowski et al.
5,669,328 A	9/1997	Lanfranchi	6,311,640 B1	11/2001	Mercado
D385,068 S	10/1997	Malcolm	D451,651 S	12/2001	Kaplan
D385,188 S	10/1997	Williams	6,330,956 B1	12/2001	Willinger
5,676,275 A	10/1997	Khattar	D453,242 S	1/2002	Kaplan
5,709,168 A	1/1998	Walker	6,339,899 B1	1/2002	Lehmann
D390,418 S	2/1998	Jagger	D453,400 S	2/2002	Kaplan
D391,440 S	3/1998	Cousins	D454,990 S	3/2002	Lorenzana
D393,107 S	3/1998	Tsengas	D458,419 S	6/2002	Ross
5,724,914 A	3/1998	Nemeth	D459,841 S	7/2002	Ross
5,730,081 A	3/1998	Tsengas	6,439,166 B1	8/2002	Markham
5,743,210 A	4/1998	Lampe	D462,487 S	9/2002	Axelrod
5,775,255 A	7/1998	Louviere, III	D465,884 S	11/2002	Ross

US D659,296 S

D466,655 S	12/2002	Zelinger	D578,714 S	10/2008	Rutherford
D467,125 S	12/2002	Orr et al.	D580,109 S	11/2008	Rutherford et al.
D467,687 S	12/2002	Tangolics	D580,112 S	11/2008	Stiles
D468,378 S	1/2003	Routzong	D581,604 S	11/2008	Ragonetti et al.
6,516,747 B1	2/2003	Willinger	D586,976 S	2/2009	Lundwall
D471,677 S	3/2003	Northrop	D587,862 S	3/2009	Rutherford
D473,683 S	4/2003	Willinger	D590,109 S	4/2009	Anderson et al.
6,539,893 B1	4/2003	Otto-Lubker et al.	7,527,018 B2 *	5/2009	Manley-Hood 119/61.5
D475,816 S	6/2003	Adamson	D593,364 S	6/2009	Harris
D476,808 S	7/2003	Carr	D600,861 S	9/2009	Sin
D477,171 S	7/2003	Gabbour	D600,862 S	9/2009	Sin
D477,441 S	7/2003	Willinger et al.	D603,106 S	10/2009	Ragonetti et al.
D477,691 S	7/2003	Crowley	7,600,486 B2	10/2009	Ellis
D478,466 S	8/2003	Henry et al.	D610,215 S	2/2010	Wechsler
D478,947 S	8/2003	Lu	D620,207 S	7/2010	Byrne
D481,867 S	11/2003	Hotz	D621,103 S	8/2010	Kim
6,651,590 B2	11/2003	Willinger et al.	D626,705 S	11/2010	Rutherford
D485,208 S	1/2004	Fan	7,849,817 B1	12/2010	Warganich
D485,784 S	1/2004	Fan	7,856,944 B1 *	12/2010	Stauffer 119/61.5
D486,992 S	2/2004	Henry et al.	D631,636 S	2/2011	Hague
6,688,258 B1	2/2004	Kolesar	D632,455 S	2/2011	School
D487,327 S	3/2004	Andersen et al.	D634,486 S *	3/2011	Graham-Cretcher D30/129
6,705,249 B2	3/2004	Quinlan et al.	D636,944 S *	4/2011	Anderson et al. D30/129
D489,494 S	5/2004	Silverglate	D636,945 S *	4/2011	Anderson et al. D30/129
D490,577 S	5/2004	Steinbacher et al.	2002/0017056 A1	2/2002	Fan
6,739,287 B1	5/2004	Sarantis	2002/0017759 A1	2/2002	McClung, III et al.
D490,745 S	6/2004	Fan	2002/0162511 A1 *	11/2002	Hollinger 119/61
D490,965 S	6/2004	Lawrenson	2002/0185073 A1	12/2002	Fullerton et al.
D491,321 S	6/2004	Wolf	2003/0033986 A1	2/2003	Brown
D491,322 S	6/2004	Wolf	2003/0098310 A1	5/2003	McGee
D496,141 S	9/2004	Tepper et al.	2003/0192480 A1	10/2003	Bennett
D496,518 S	9/2004	Tepper et al.	2004/0231607 A1 *	11/2004	Hollinger 119/61.54
6,786,177 B1	9/2004	Lemkin	2004/0244703 A1	12/2004	Lehman
D497,457 S	10/2004	Willinger	2005/0039689 A1	2/2005	Mossmer
D498,955 S	11/2004	Edwards et al.	2005/0039690 A1	2/2005	Sage, Jr.
D504,196 S	4/2005	Huthmaker et al.	2005/0115508 A1	6/2005	Little
D504,197 S	4/2005	Huthmaker et al.	2006/0005774 A1	1/2006	Newman Bornhofen
D504,747 S *	5/2005	Herrenbruck D30/129	2006/0068952 A1	3/2006	Davignon, II
D511,029 S	10/2005	Willinger	2006/0213447 A1	9/2006	Kitchen et al.
D511,030 S	10/2005	Byrne	2007/0022964 A1 *	2/2007	Reusche et al. 119/73
D512,189 S	11/2005	Byrne	2007/0089678 A1	4/2007	Greenwood
D512,539 S	12/2005	Brunes et al.	2007/0144447 A1 *	6/2007	Dana et al. 119/61.5
D514,263 S	1/2006	Willinger	2008/0022937 A1	1/2008	Shirley et al.
6,990,927 B2	1/2006	Axelrod	2008/0029045 A1	2/2008	Willinger
D514,278 S	2/2006	Weinberg	2008/0053374 A1	3/2008	Kerrigan et al.
D514,602 S	2/2006	Draper	2008/0072829 A1	3/2008	Kerrigan et al.
D514,750 S	2/2006	Matula	2008/0141945 A1	6/2008	Markham
D516,806 S	3/2006	Lawrence	2009/0126641 A1	5/2009	Anderson et al.
D523,996 S	6/2006	Fine	2009/0151649 A1	6/2009	Vardy et al.
D526,529 S	8/2006	Henry et al.	2010/0012042 A1	1/2010	Lee
D527,273 S	8/2006	Edwards	2010/0077963 A1	4/2010	Lipscomb et al.
7,087,260 B2	8/2006	Axelrod	2010/0275852 A1	11/2010	Lipscomb et al.
D529,838 S	10/2006	Boling	2011/0253054 A1 *	10/2011	Hargrove 119/61.54
D531,081 S	10/2006	Fan			
D536,757 S	2/2007	Hedeen, Jr.			
D540,181 S	4/2007	Edwards			
D540,496 S	4/2007	Axelrod			
D543,743 S	6/2007	Edwards			
D549,889 S	8/2007	Winkler et al.			
D551,400 S	9/2007	Tsengas			
D551,977 S	10/2007	Daniels			
D552,634 S	10/2007	Janiszewski			
D563,607 S	3/2008	Northrop			
D563,608 S	3/2008	Kitchen			
D563,609 S	3/2008	Gick			
D564,710 S	3/2008	Modi et al.			
D564,711 S	3/2008	Modi et al.			
D565,356 S	4/2008	Mellen et al.			
D575,581 S	8/2008	Harris			
D576,357 S	9/2008	Rutherford et al.			
D576,358 S	9/2008	Rutherford			
D576,448 S	9/2008	Harris			

FOREIGN PATENT DOCUMENTS

GB	2 410 409	8/2005
GB	2 440 500	2/2008
NL	7810061	4/1979
NL	1012335	12/2000
WO	02/094123 A3	11/2002
WO	02/094125 A3	11/2002

OTHER PUBLICATIONS

Sternco; Delta Products catalog; Jul. 6, 1971, p. 11; #157—Dumbell (Scented) Rubber Toy.
 Petstages Healthy Portion Dog Bowl, 2005.
 www.brake-fast.net; Retrieved from archive.org on Mar. 25, 2009, archived on Dec. 10, 2006.

* cited by examiner

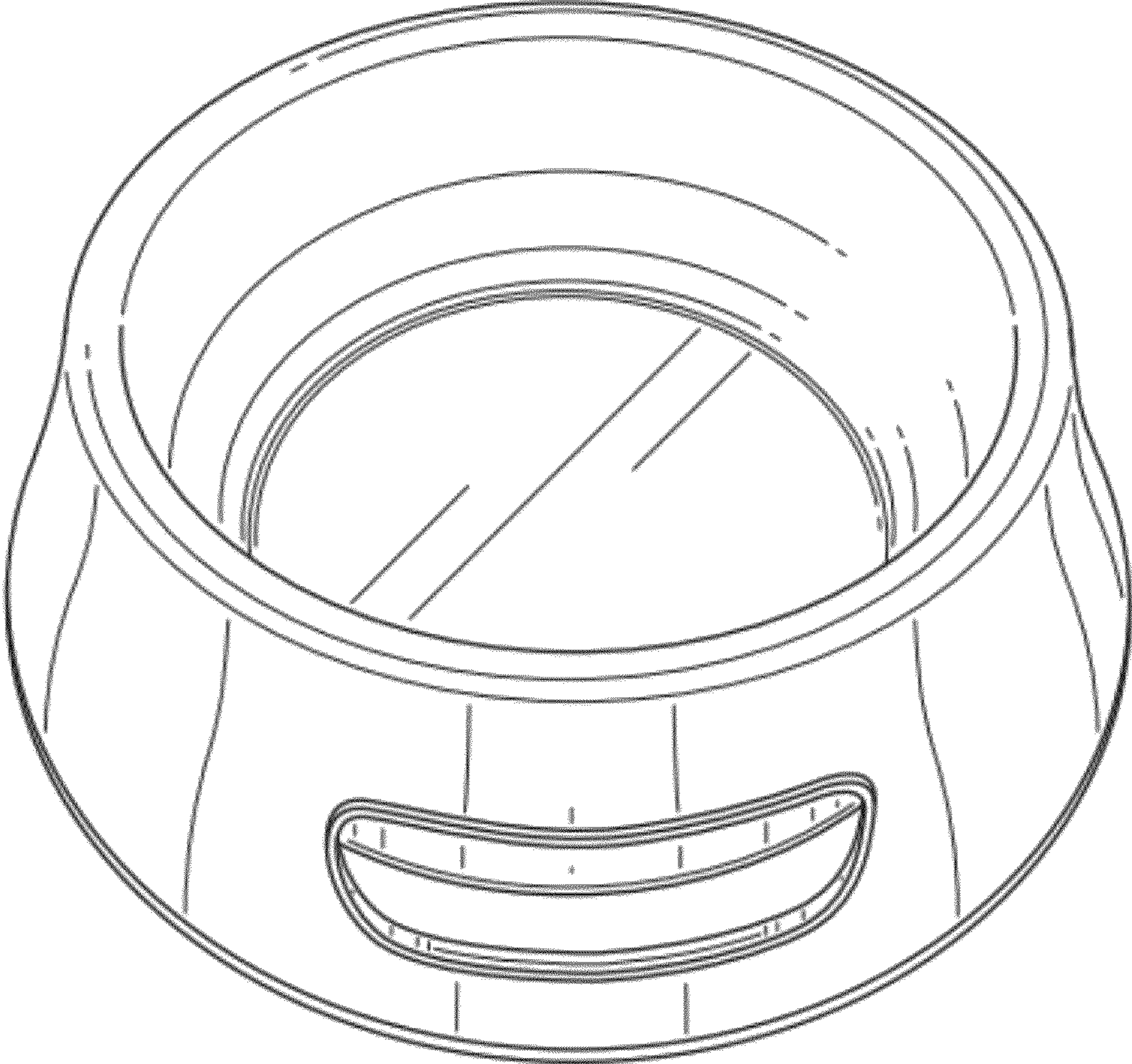


FIG. 1

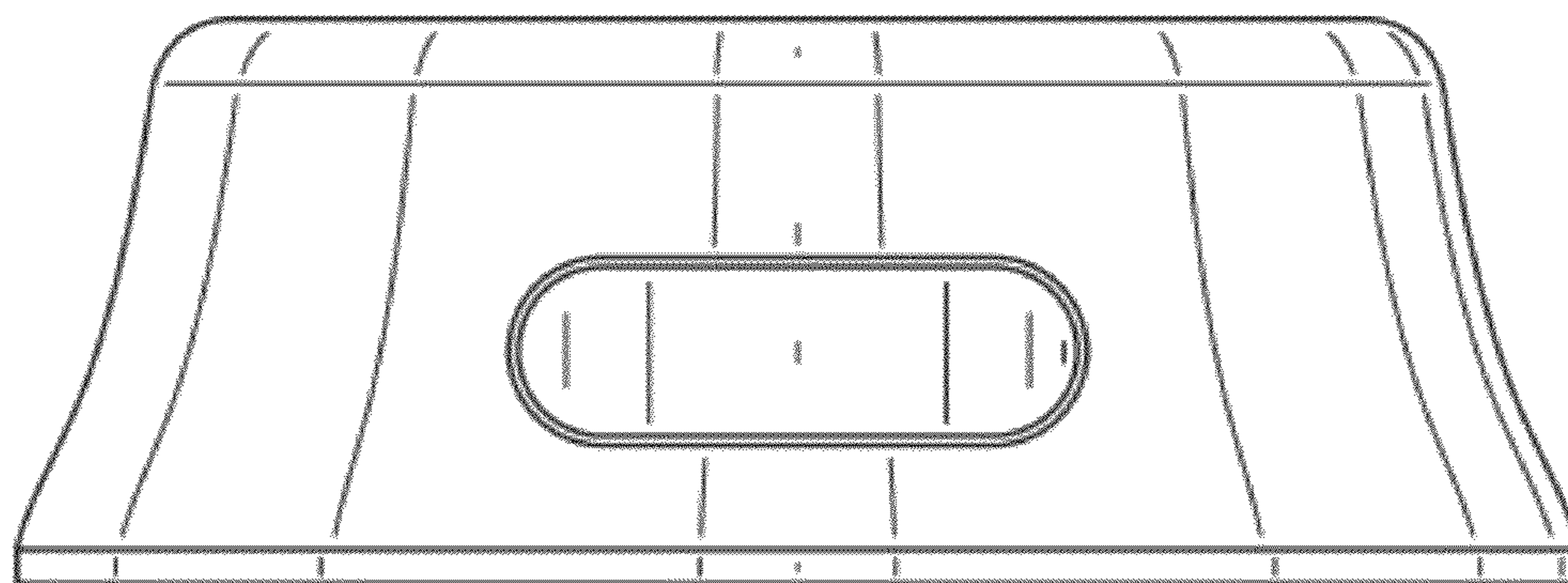


FIG. 2

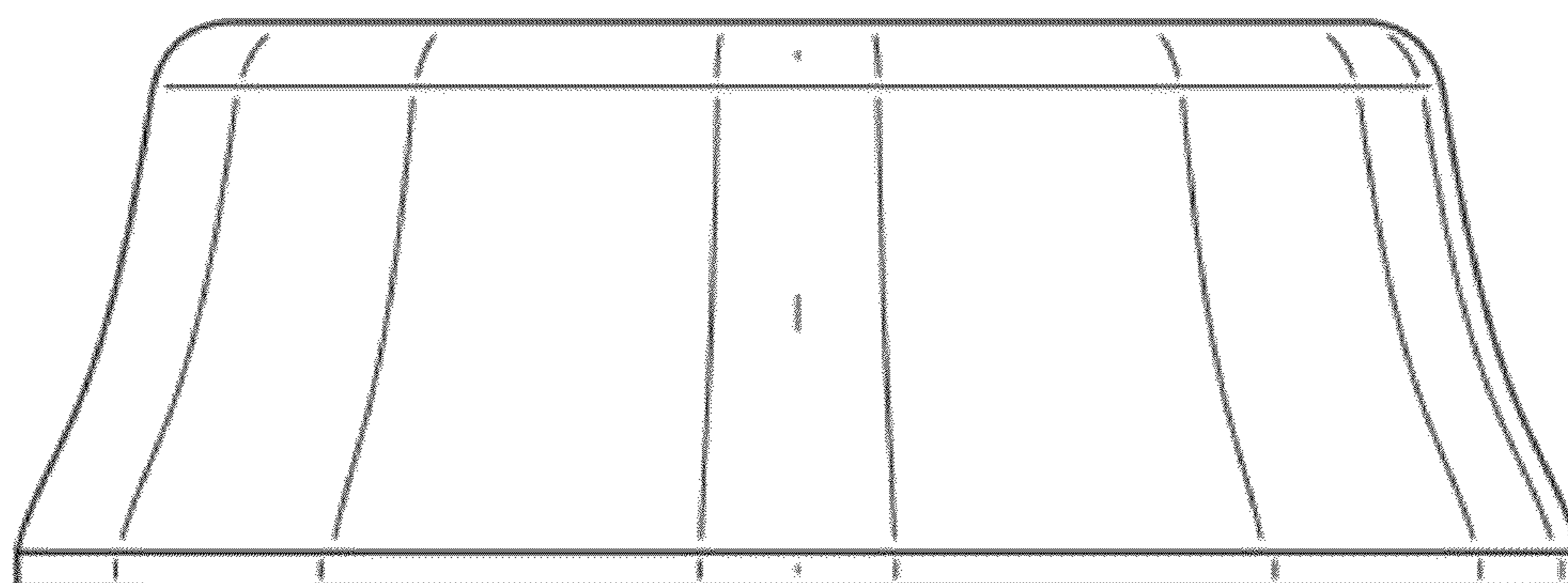


FIG. 3

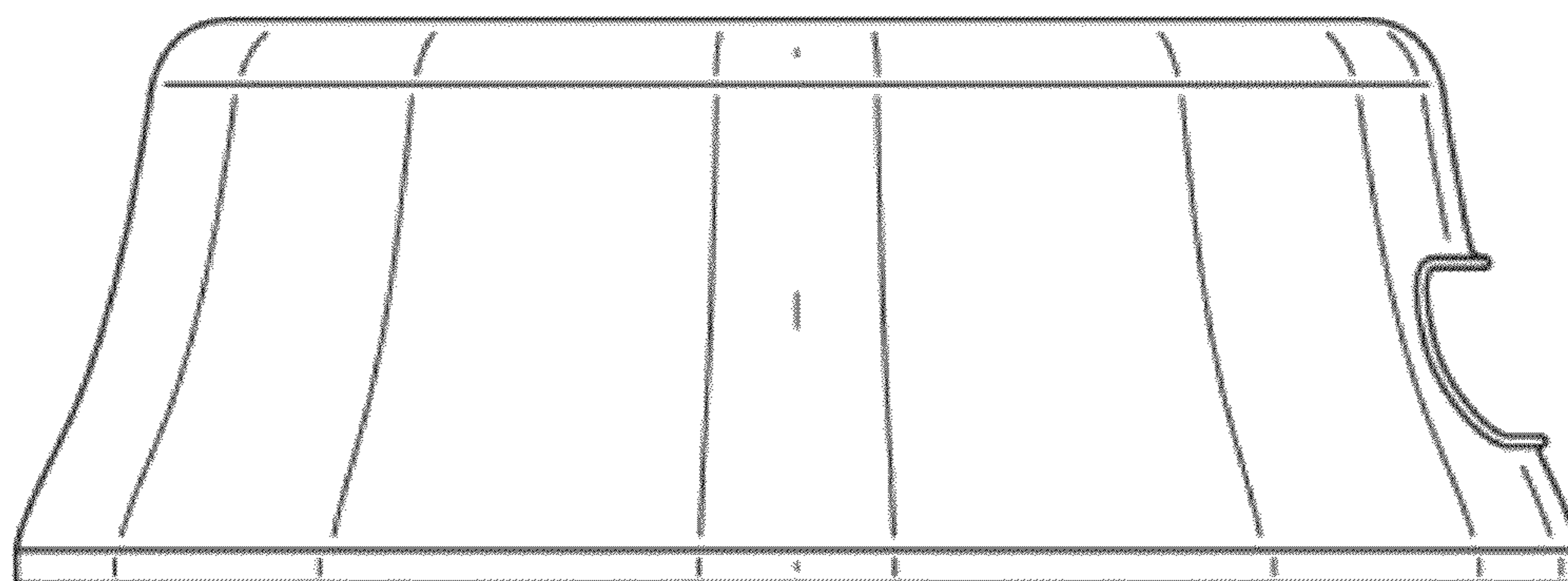


FIG. 4

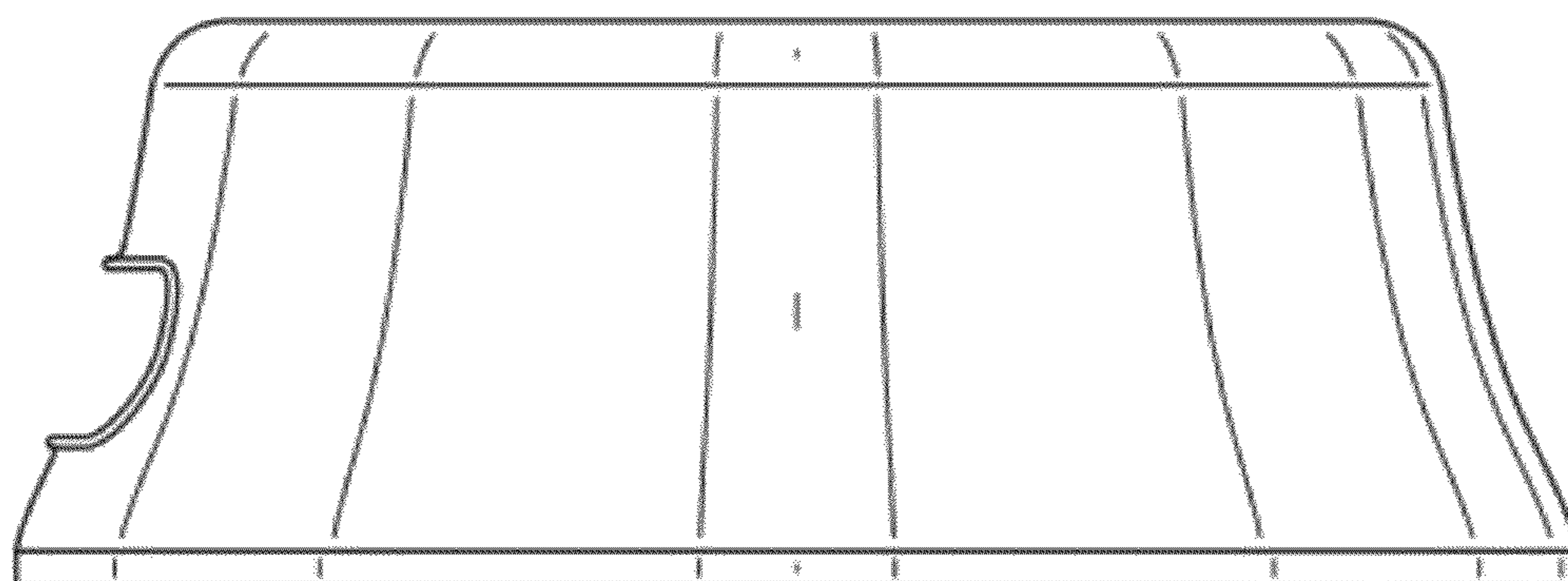


FIG. 5

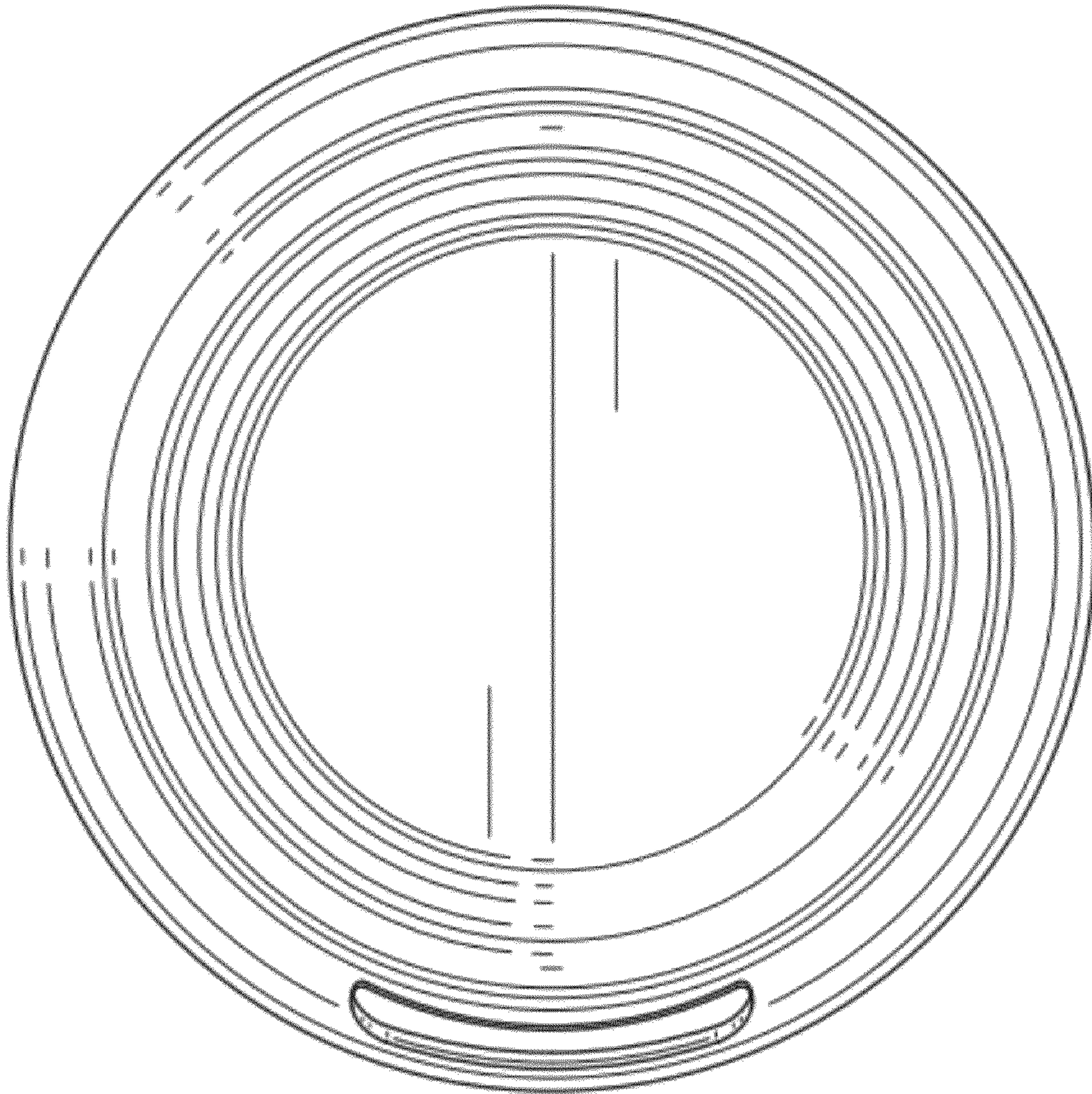


FIG. 6

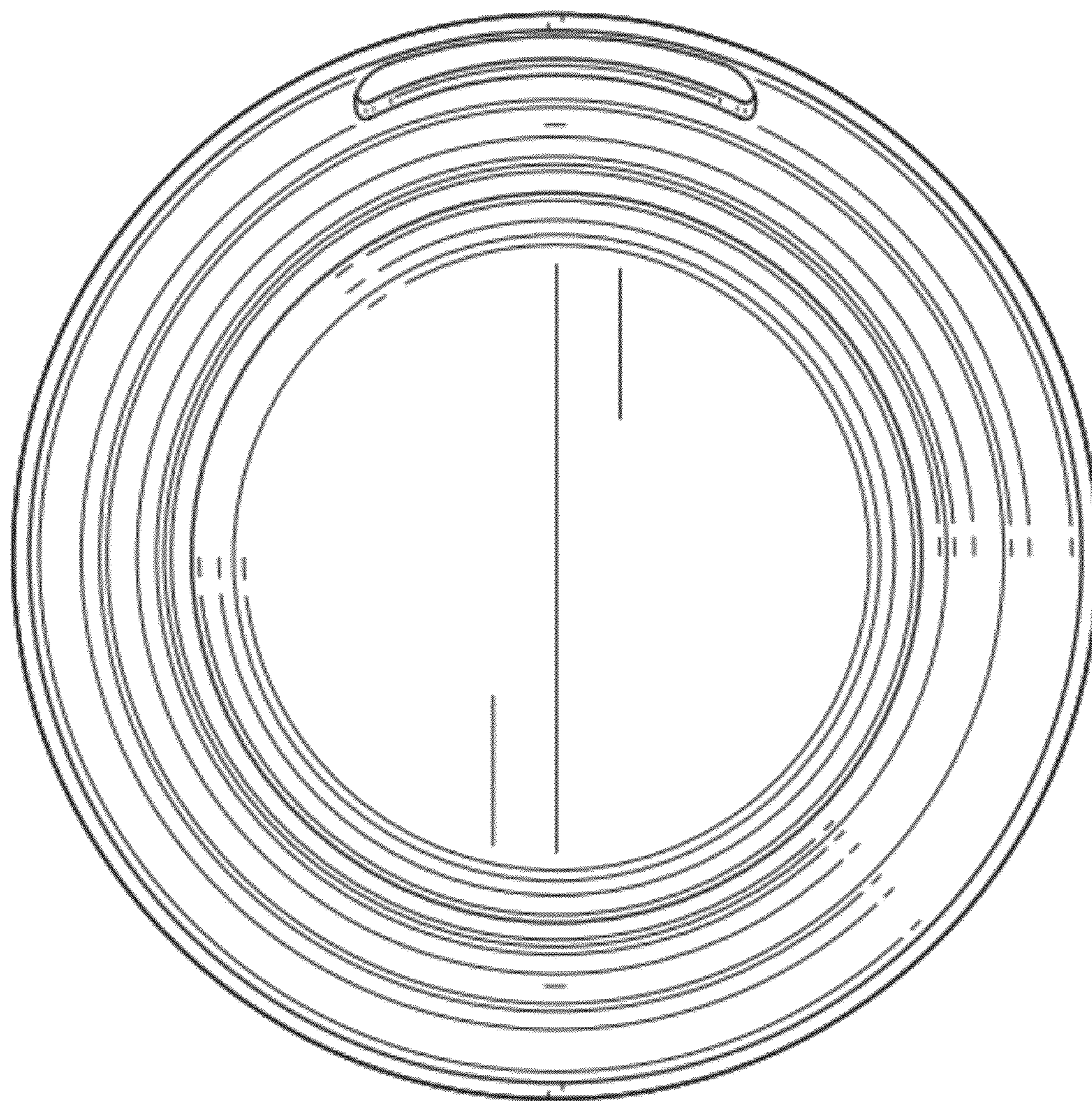


FIG. 7

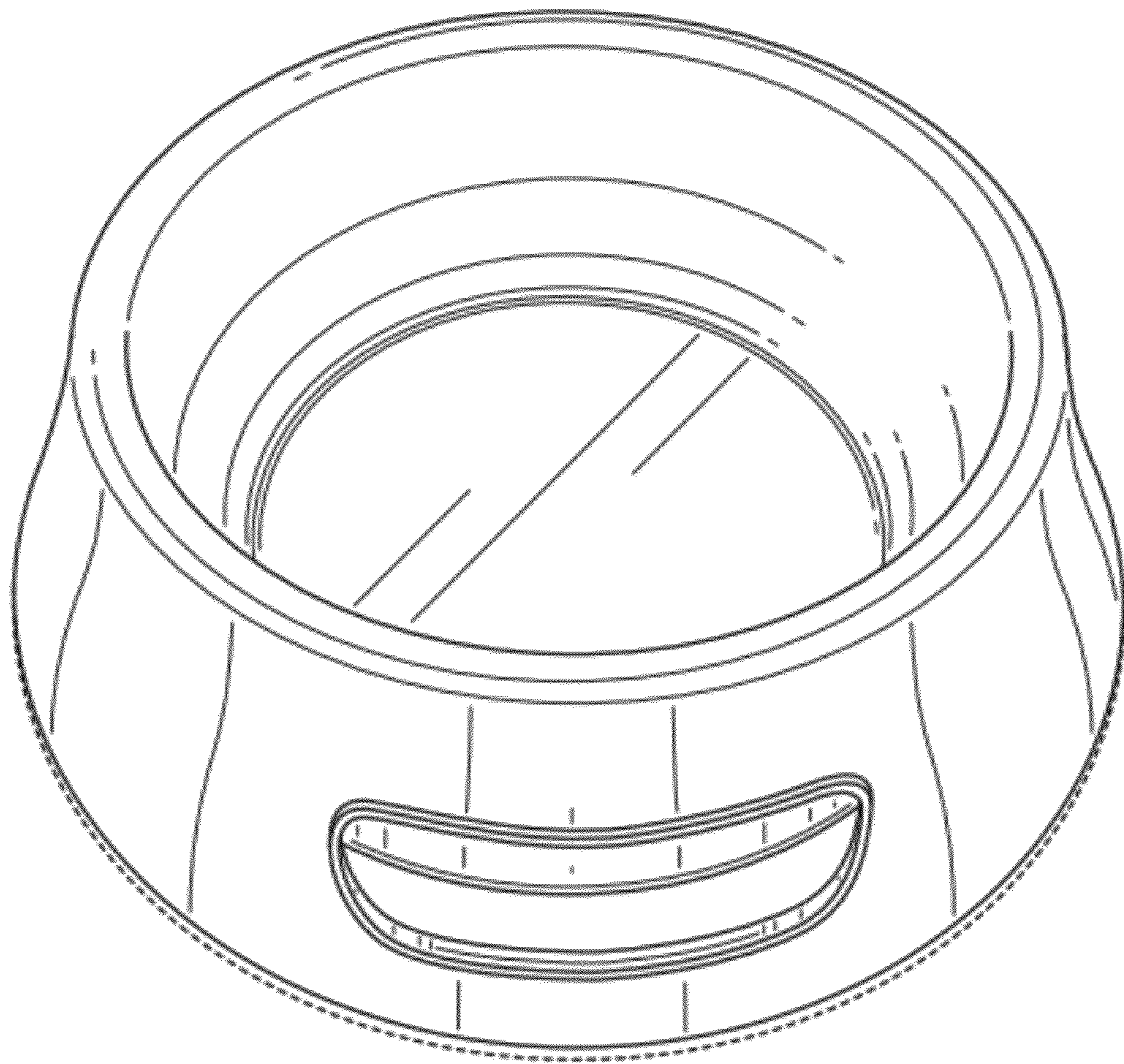


FIG. 8

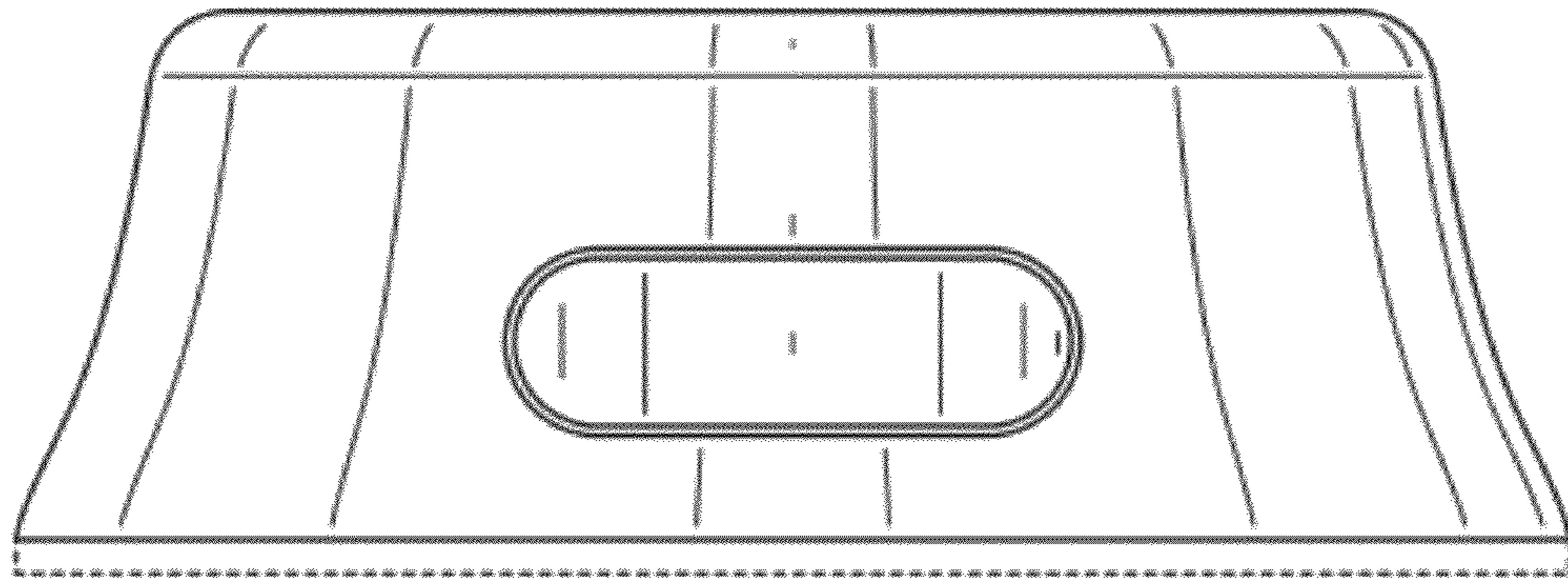


FIG. 9

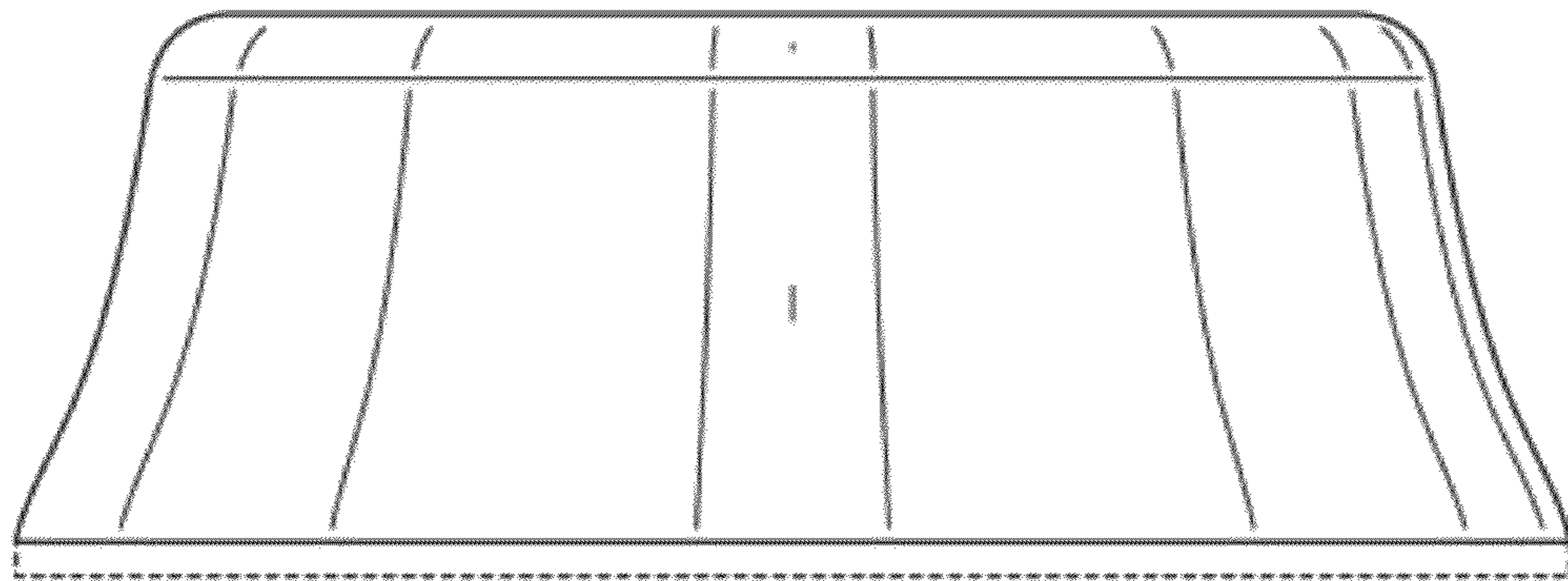


FIG. 10

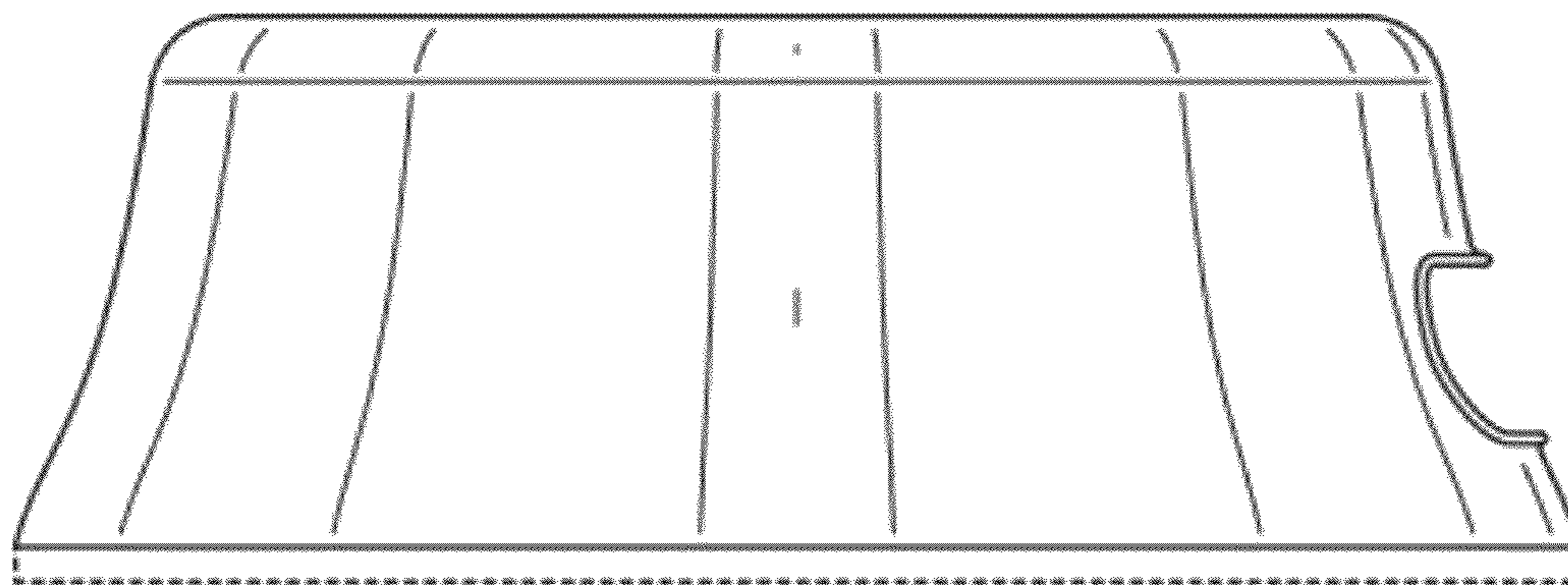


FIG. 11

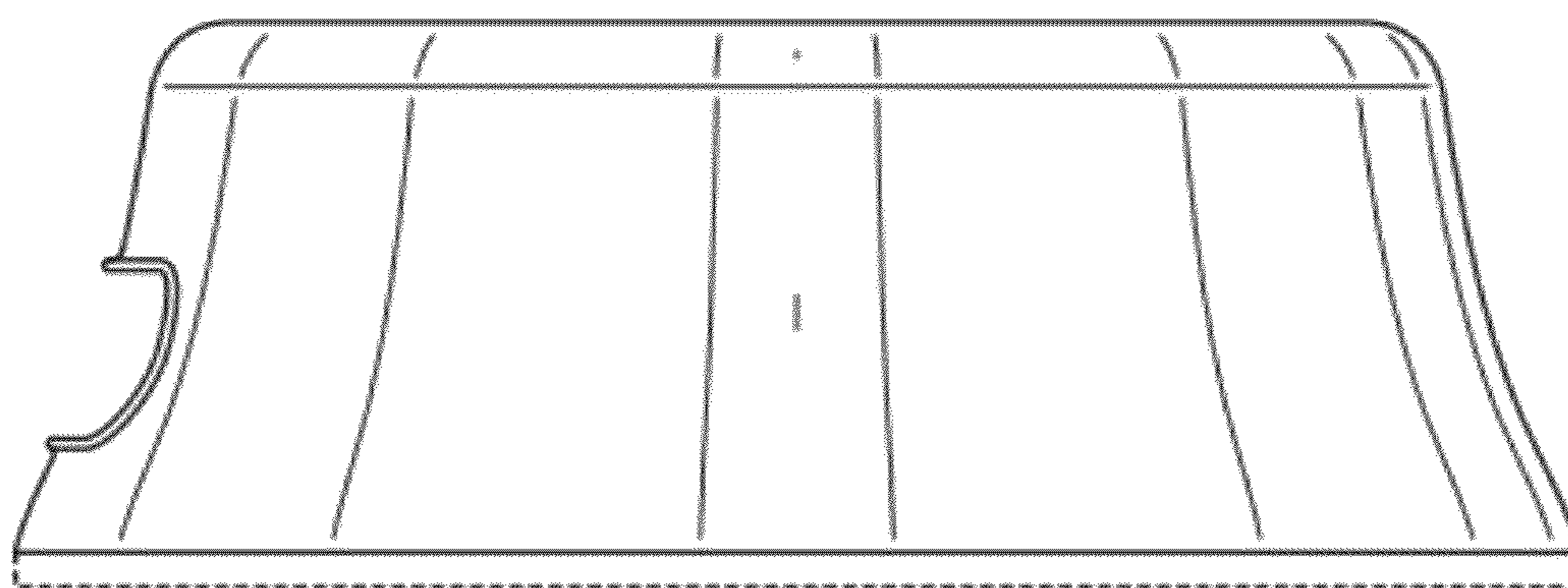


FIG. 12

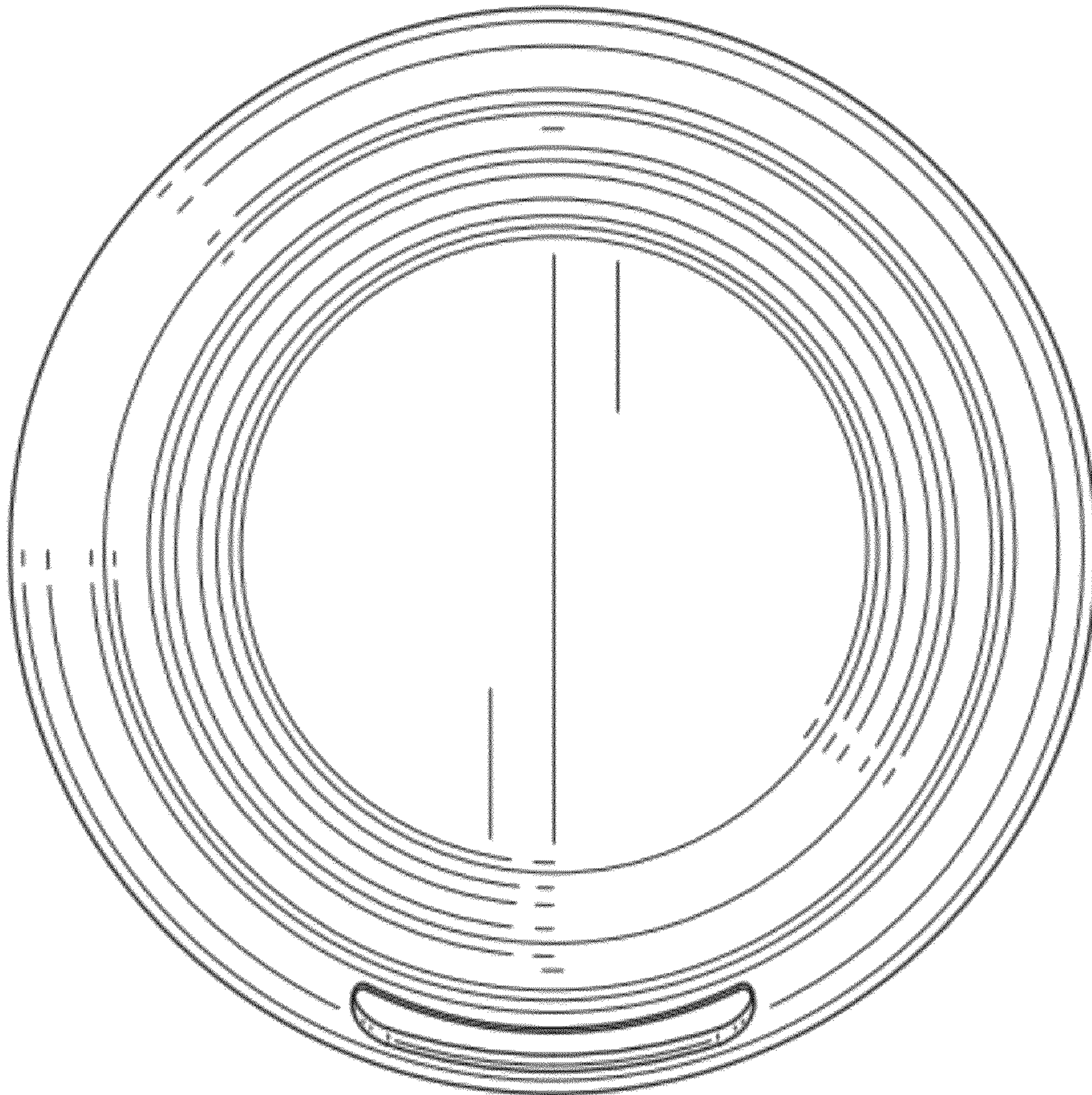


FIG. 13

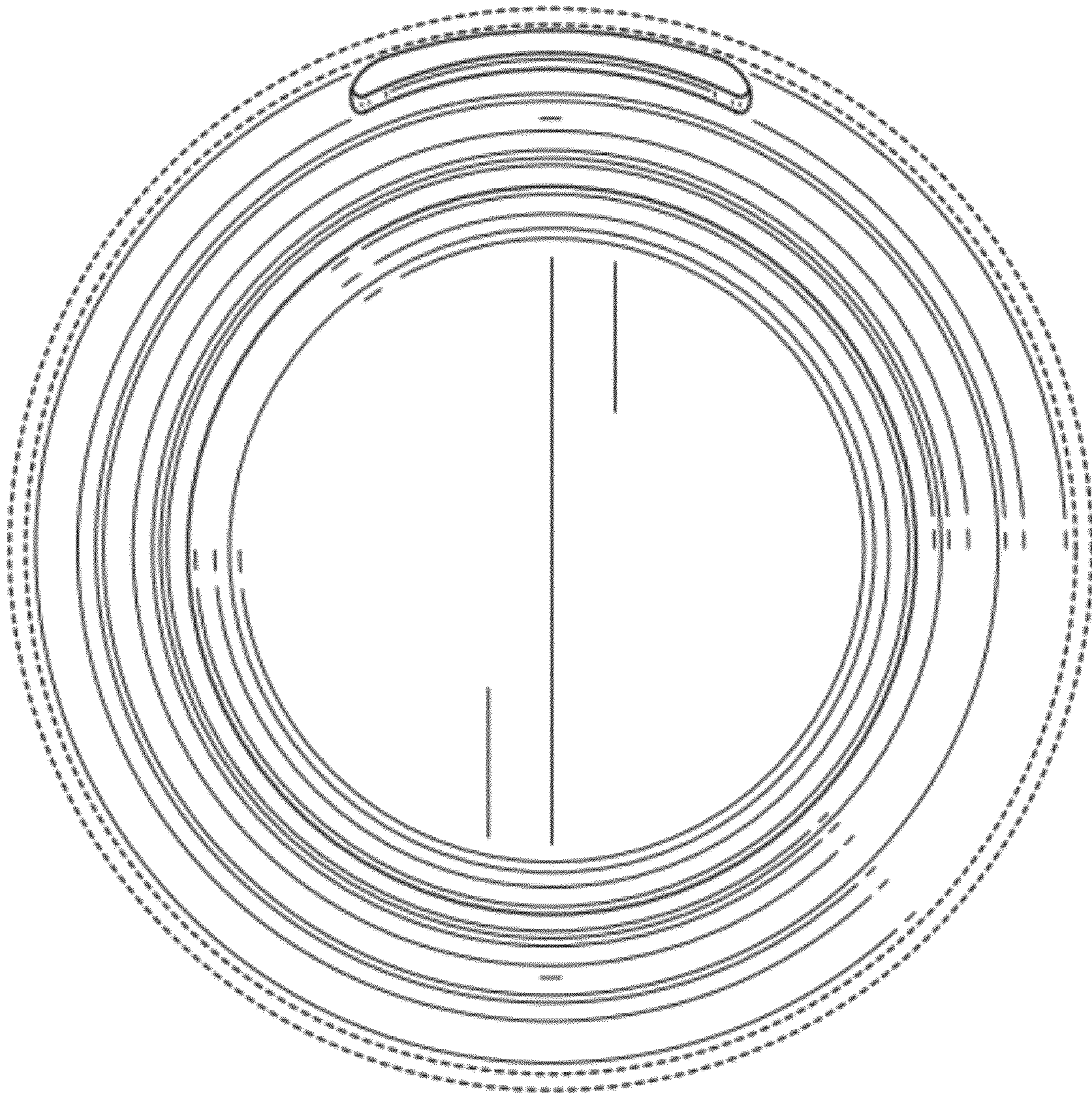


FIG. 14