



US00D659295S

(12) **United States Design Patent**
Quiring et al.

(10) **Patent No.:** **US D659,295 S**

(45) **Date of Patent:** **** May 8, 2012**

(54) **ANIMAL FEEDER**

(75) Inventors: **Tod K. Quiring**, Windom, MN (US);
Gary H. Quiring, Windom, MN (US);
Brent G. Quiring, Windom, MN (US);
Nathan M. Stieren, Windom, MN (US)

(73) Assignee: **BGHA, Inc.**, Windom, MN (US)

(**) Term: **14 Years**

(21) Appl. No.: **29/376,477**

(22) Filed: **Oct. 7, 2010**

(51) **LOC (9) Cl.** **30-03**

(52) **U.S. Cl.** **D30/121**

(58) **Field of Classification Search** D30/133,
D30/121, 122, 124, 127, 128, 132, 131; 119/51.01,
119/61, 51.04, 53, 57.91, 54, 53.5, 52.4,
119/51.11, 63, 61.2, 52.1, 57.5, 57.6, 51.13,
119/62, 75, 500, 501; 239/7, 687, 379, 397.5;
222/199, 181.1, 181.2, 185.1, 557, 156, 485,
222/486, 548, 555; 220/200, 227, 247, 262;
221/174, 185.1, 289, 295, 296, 559; 454/35;
209/270, 283, 244; 52/194, 192; 49/279,
49/344, 357; D34/28

See application file for complete search history.

(56) **References Cited**

U.S. PATENT DOCUMENTS

321,703	A	7/1885	Foster	
396,251	A	1/1889	Adamson	
1,239,404	A	9/1917	Knoll	
1,355,399	A	10/1920	Kelley	
2,723,860	A	11/1955	Weeks	
2,934,037	A	4/1960	Ernest	
3,195,508	A	7/1965	Lehman et al.	
3,547,081	A	12/1970	Geerlings	
3,742,913	A	7/1973	Crippen	
3,949,909	A	4/1976	Sterner	
4,027,627	A	6/1977	Fillion	
D271,434	S *	11/1983	Love	D30/128

D278,167	S *	3/1985	Kilham	D30/121
4,565,159	A	1/1986	Sweeney	
4,580,730	A	4/1986	Amerine	
4,732,112	A *	3/1988	Fenner et al.	119/52.2
4,986,220	A	1/1991	Reneau et al.	
D317,666	S *	6/1991	Haynes	D30/131
5,143,289	A	9/1992	Gresham et al.	
5,303,674	A *	4/1994	Hyde, Jr.	119/77
5,782,200	A *	7/1998	Knowles et al.	119/53
5,794,561	A *	8/1998	Schulz	119/52.1
5,820,035	A	10/1998	Johnson et al.	
5,862,777	A	1/1999	Sweeney	
5,957,083	A *	9/1999	Cheng	119/57.4
6,047,909	A	4/2000	Simpson	
6,253,706	B1 *	7/2001	Sloop	119/57.9
D460,839	S *	7/2002	Kreger et al.	D30/124
6,532,895	B1 *	3/2003	Andersen	119/57.4
6,637,678	B2	10/2003	Wyne	
6,763,781	B1	7/2004	Norrell	
7,222,583	B2	5/2007	Foster et al.	
7,252,049	B2	8/2007	Ginsberg	
D555,295	S *	11/2007	Donegan et al.	D30/121
D604,017	S *	11/2009	Meritt	D30/121
7,610,875	B2 *	11/2009	Webber	119/57.8
7,717,063	B2	5/2010	Chang et al.	

(Continued)

Primary Examiner — Susan Moon Lee

(74) Attorney, Agent, or Firm — Kagan Binder, PLLC

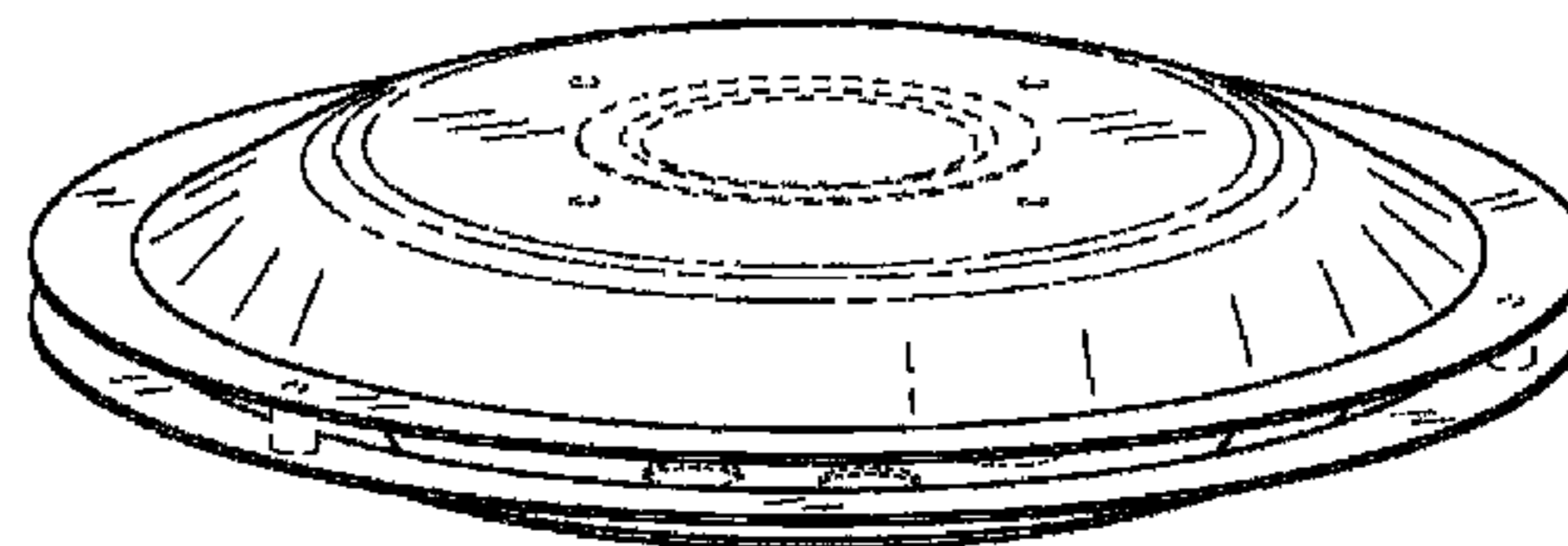
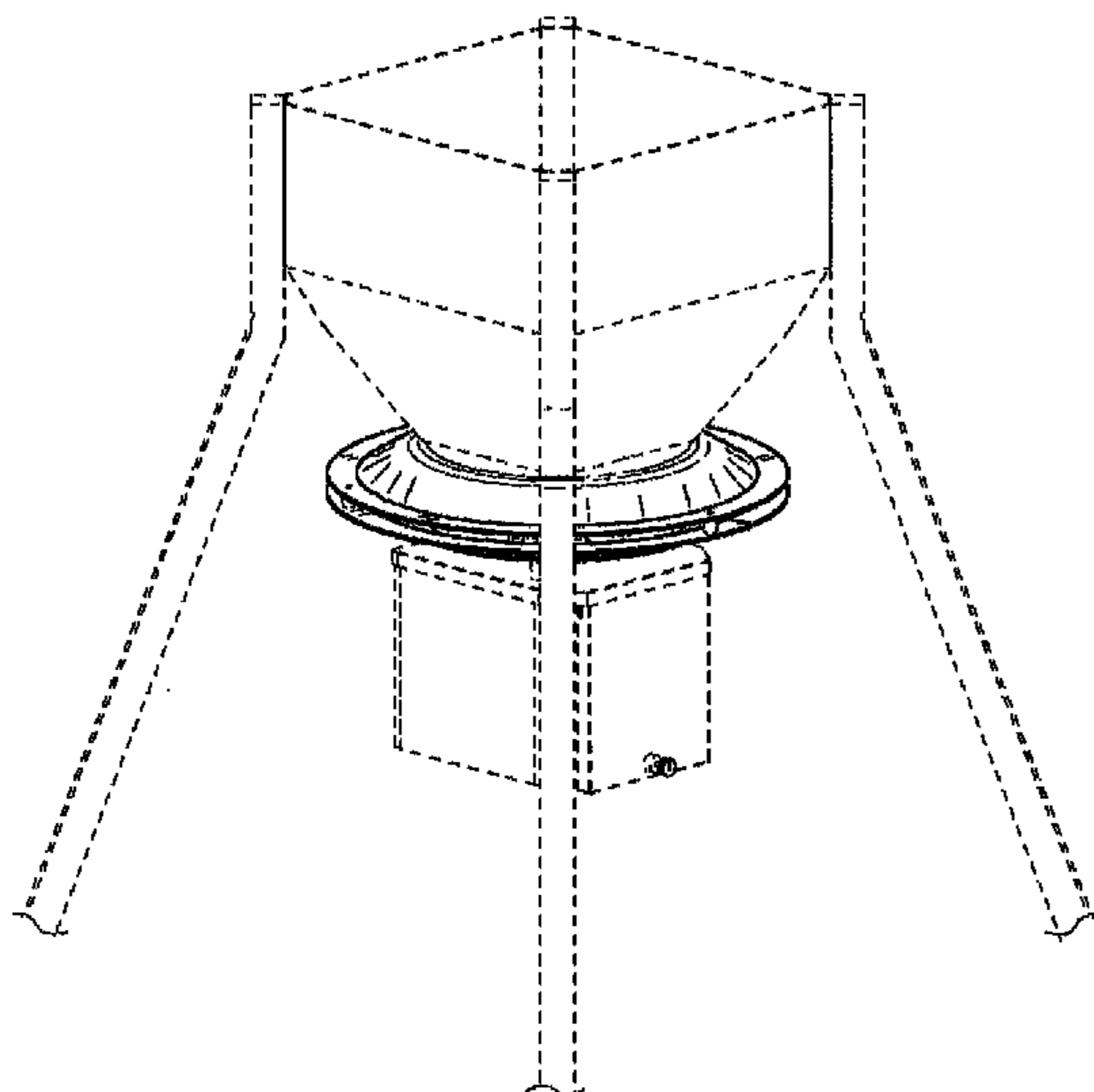
(57) **CLAIM**

We claim the ornamental design for an animal feeder, as shown and described.

DESCRIPTION

FIG. 1 is a perspective view of an animal feeder in accordance with the present design, shown in use;
FIG. 2 is top perspective view of the animal feeder of FIG. 1;
FIG. 3 is a bottom perspective view thereof;
FIG. 4 is a side view thereof;
FIG. 5 is a top plan view thereof; and,
FIG. 6 is a bottom plan view thereof.
The broken line elements are not claimed.

1 Claim, 6 Drawing Sheets



US D659,295 S

Page 2

U.S. PATENT DOCUMENTS

8,074,601	B2 *	12/2011	Van de Ven	119/52.4	2009/0241846	A1	10/2009	Dollar, Jr. et al.	
2007/0283894	A1 *	12/2007	Bescherer	119/57.8	2010/0131095	A1 *	5/2010	Zielke et al.	700/232
2009/0031962	A1 *	2/2009	Webber	119/57.9	2010/0132616	A1	6/2010	Rieger	
2009/0241841	A1	10/2009	Dollar, Jr. et al.		2011/0036298	A1	2/2011	Dollar, Jr. et al.	
2009/0241845	A1	10/2009	Croft						

* cited by examiner

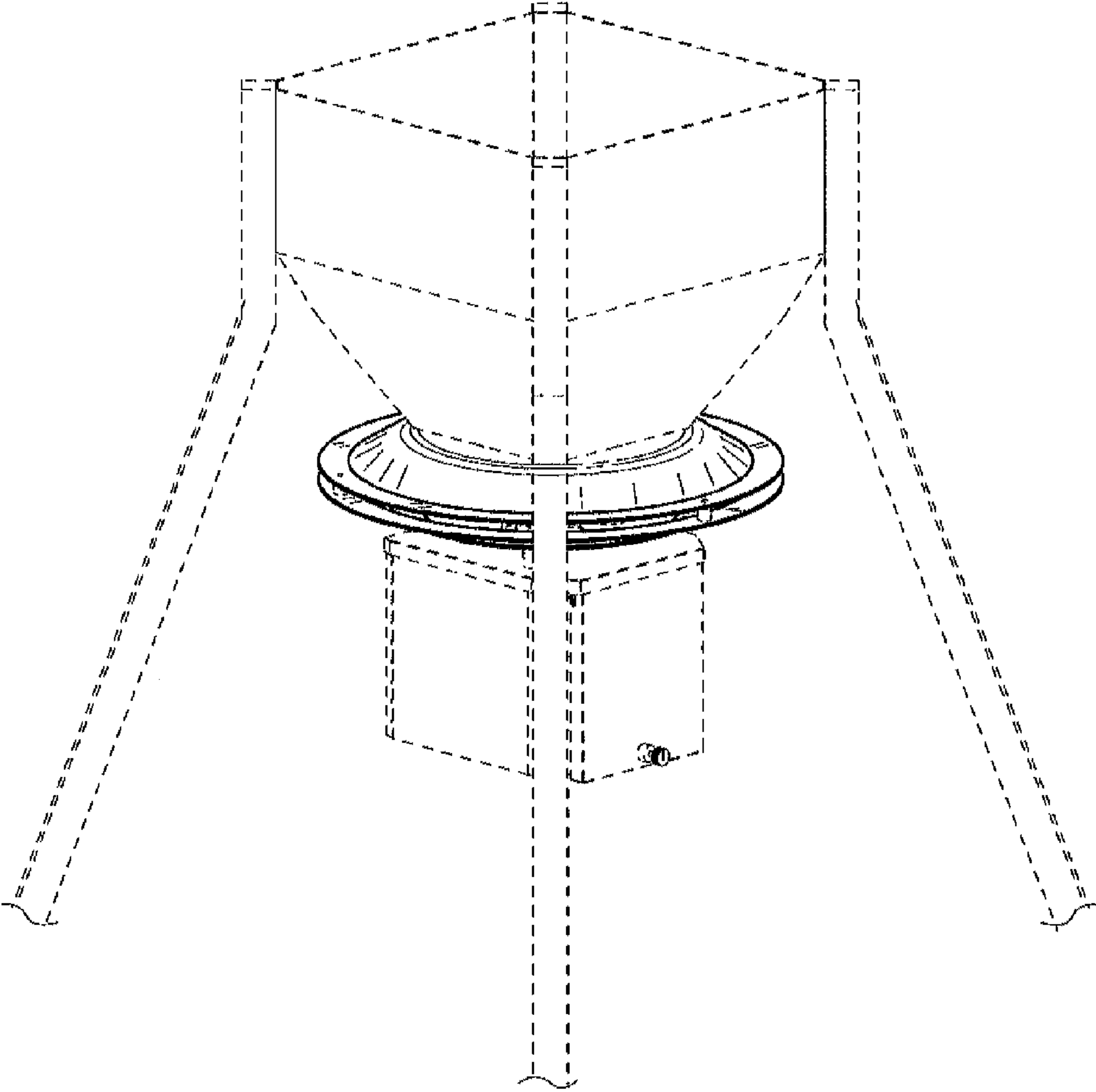


Fig. 1

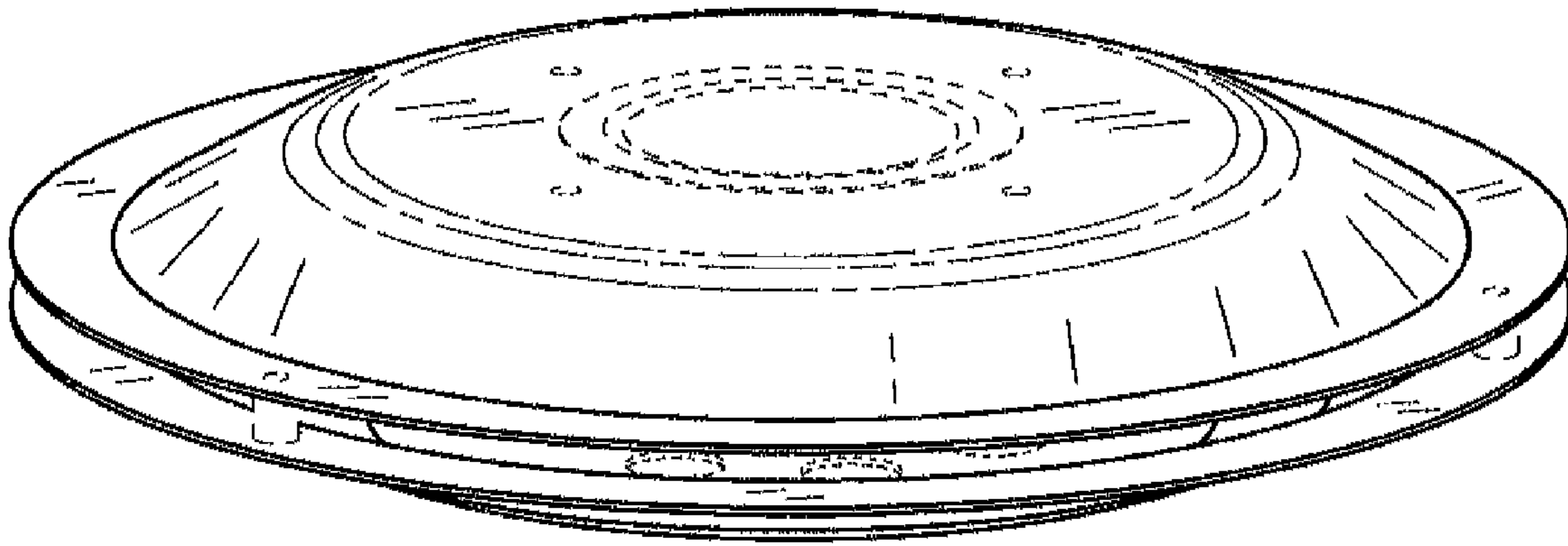


Fig. 2

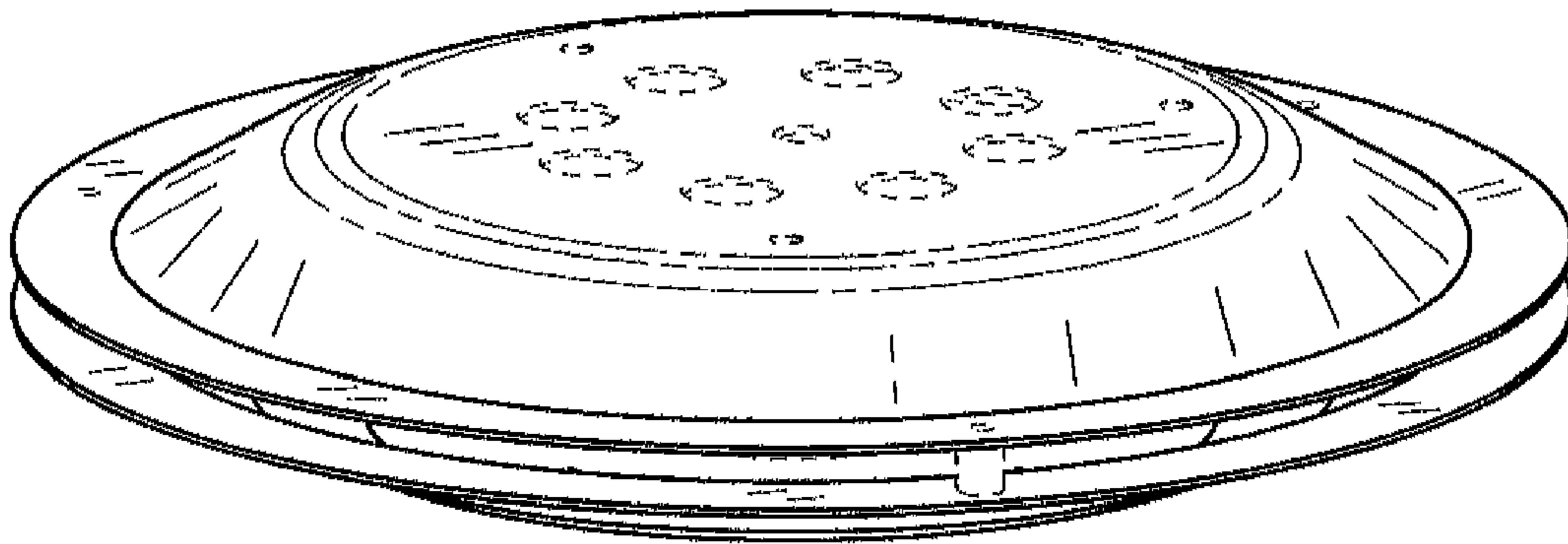


Fig. 3

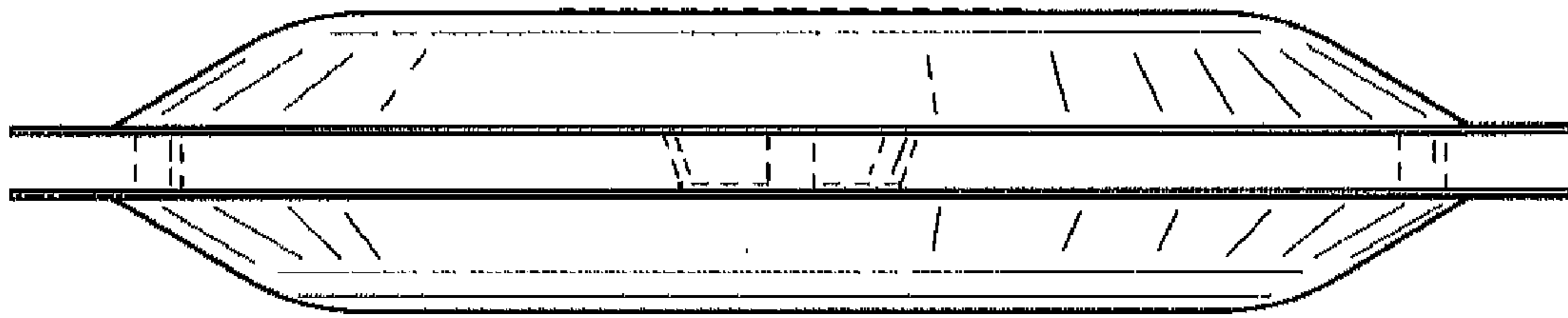


Fig. 4

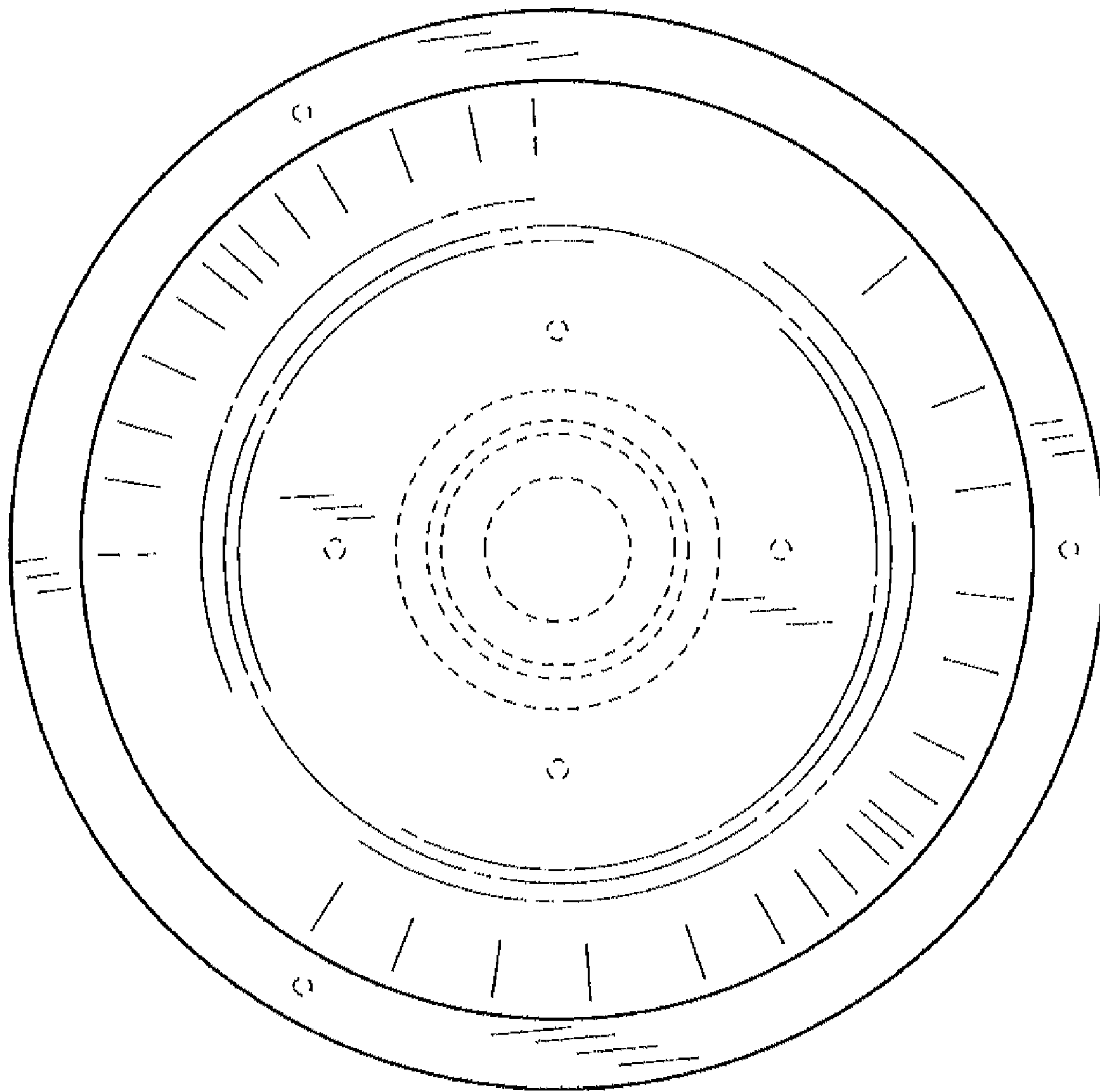


Fig. 5

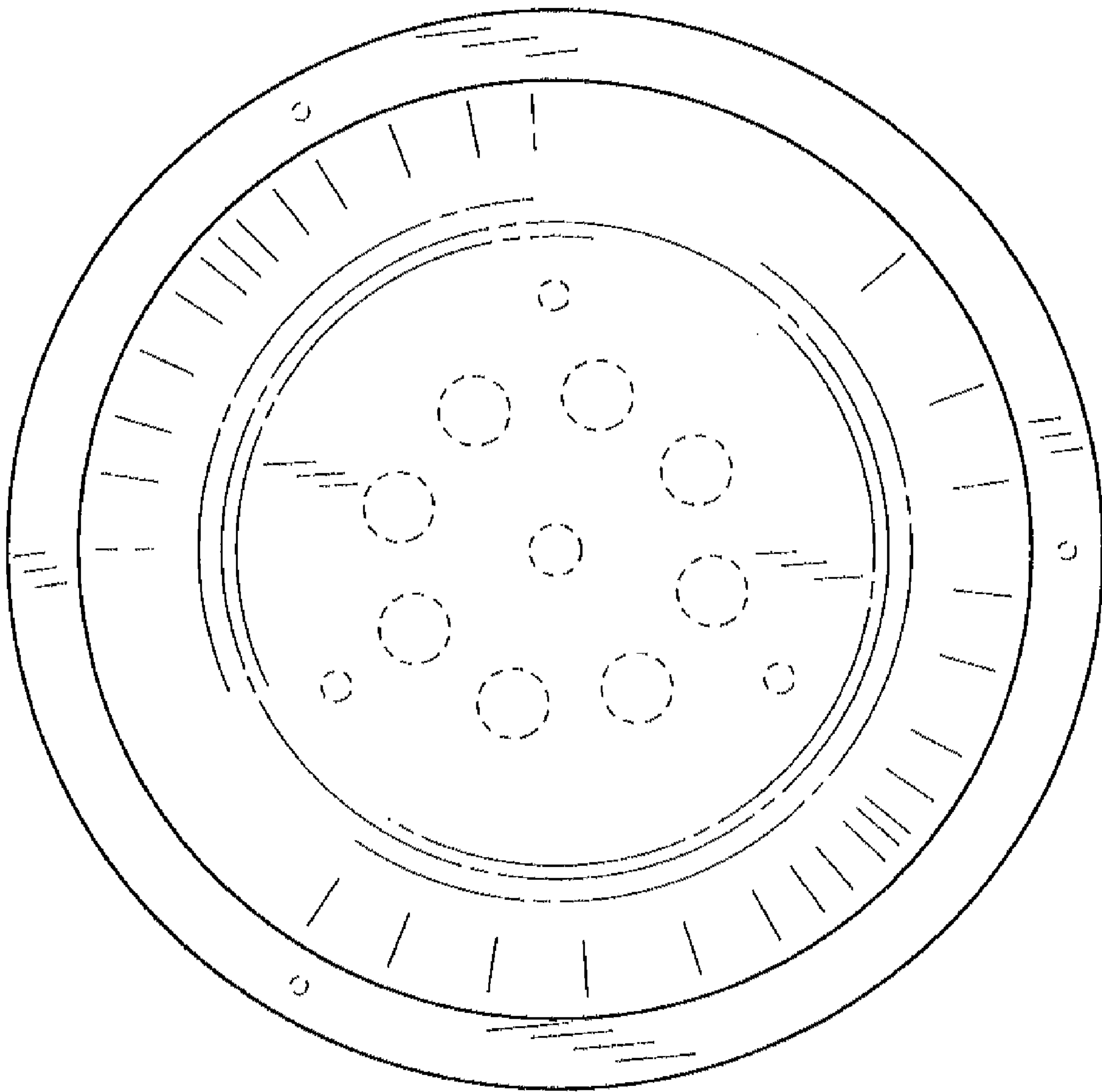


Fig. 6