



US00D659290S

(12) **United States Design Patent**
Overton

(10) **Patent No.:** **US D659,290 S**

(45) **Date of Patent:** **** May 8, 2012**

(54) **BAND WITH POUCH AND DECORATIVE LAYER**

(75) Inventor: **Kimberley J. Overton**, Austin, TX (US)

(73) Assignee: **Overton Enterprises, LLC**, Austin, TX (US)

(**) Term: **14 Years**

(21) Appl. No.: **29/398,410**

(22) Filed: **Jul. 29, 2011**

(51) **LOC (9) Cl.** **29-02**

(52) **U.S. Cl.** **D29/120.1**

(58) **Field of Classification Search** D29/100,
D29/101.1, 101.2, 101.3, 101.4, 101.5, 120.1,
D29/120.2, 121.1, 12, 1.2, 122; D2/901;
D24/190; 2/16, 20–24, 62, 267, 455, 461,
2/463, 910, 911; 602/3, 5, 6, 16, 23, 26
See application file for complete search history.

(56) **References Cited**

U.S. PATENT DOCUMENTS

5,642,525	A *	7/1997	Ketola	2/16
D393,138	S *	4/1998	Frey	D2/610
D454,198	S *	3/2002	Lamping et al.	D24/190
6,405,731	B1 *	6/2002	Chiang	128/878
D460,824	S *	7/2002	Ames	D24/190
6,592,539	B1 *	7/2003	Einarsson et al.	602/62
6,826,779	B1 *	12/2004	McKenzie	2/16
7,615,024	B2 *	11/2009	Chiang et al.	602/5
D641,107	S *	7/2011	Bonner	D29/121.1
2007/0250965	A1 *	10/2007	Sioul et al.	D29/121.1
2008/0098697	A1 *	5/2008	Murray	53/457
2011/0220696	A1 *	9/2011	Buchanan et al.	224/191

OTHER PUBLICATIONS

“Running Key Cuff.” (n.d.) Shop.lululemon.com. Retrieved from <http://shop.lululemon.com/products/clothes-accessories/women-equipment/Running-Key-Cuff-32194?cc=9238&skuId=3418629&catId=women-equipment> on Aug. 1, 2011.

* cited by examiner

Primary Examiner — Raphael Barkai
Assistant Examiner — Randall Gholson

(74) *Attorney, Agent, or Firm* — Conley Rose, P.C.

(57) **CLAIM**

The ornamental designs for a band with pouch and decorative layer, as shown and described.

DESCRIPTION

FIG. 1 is a perspective view of a band with pouch and decorative layer.

FIG. 2 is a top view of the band with a pouch according to the present disclosure.

FIG. 3 is a bottom view of the band with a pouch according to the present disclosure.

FIG. 4 is a right side view of the band with a pouch according to the present disclosure.

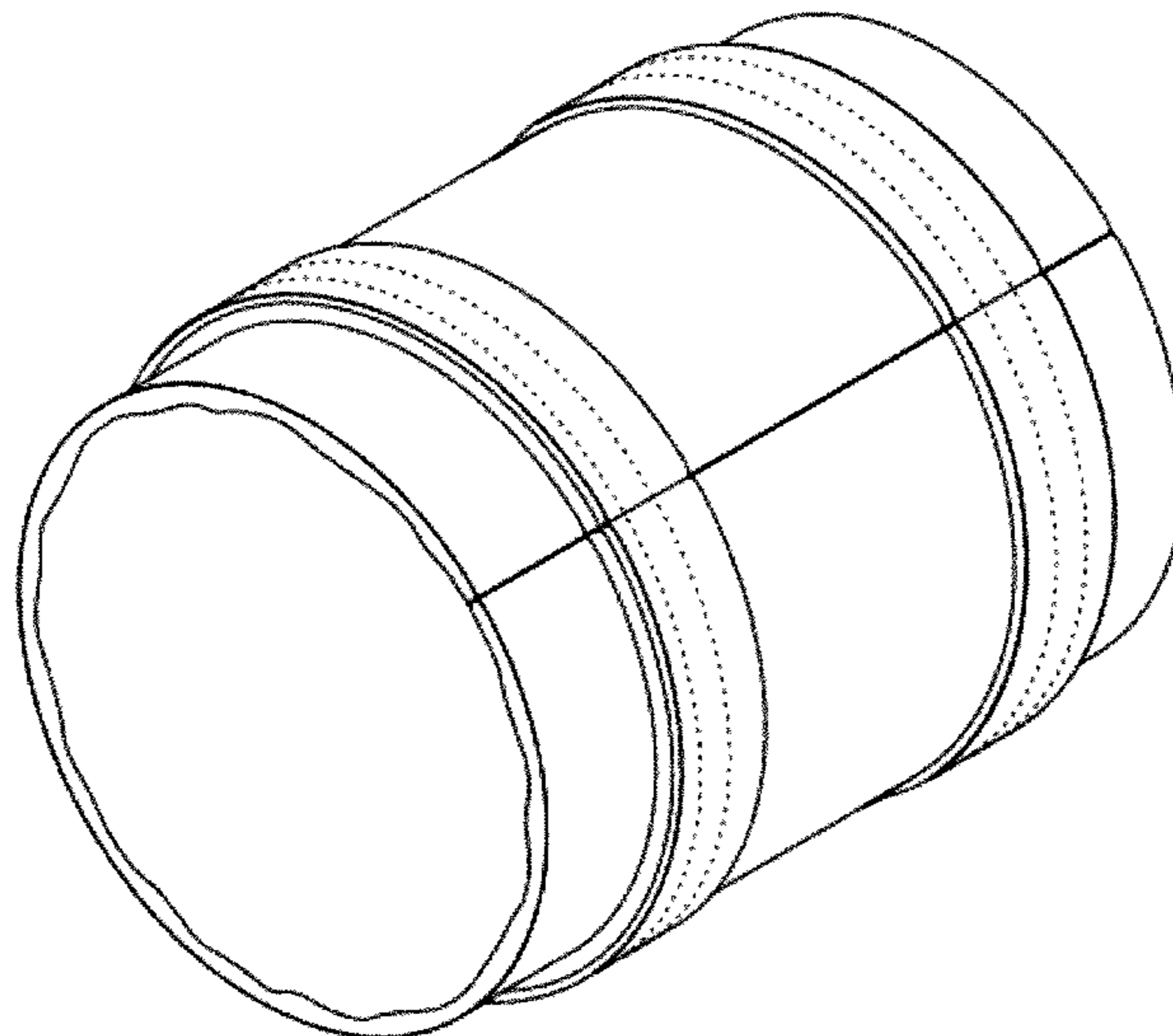
FIG. 5 is a left side view of the band with a pouch according to the present disclosure.

FIG. 6 is a top view of the band with flaps pulled back to illustrate pouch interior.

FIG. 7 is a perspective view of a band with pouch and decorative layer positioned on an extremity according to the present disclosure; and,

FIG. 8 is a perspective view of a band with pouch and decorative layer positioned on an extremity according to the present disclosure.

1 Claim, 4 Drawing Sheets



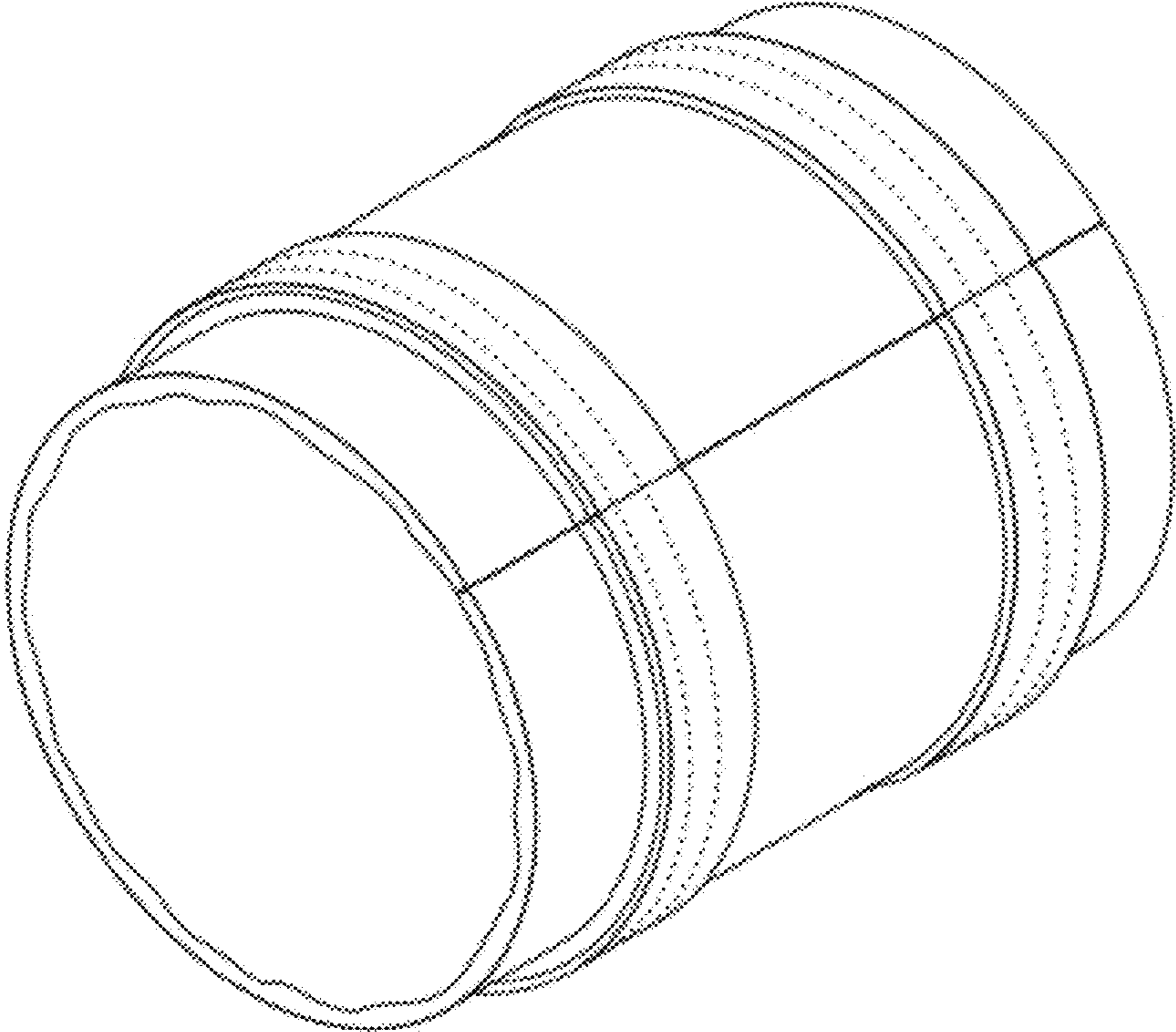


FIG. 1

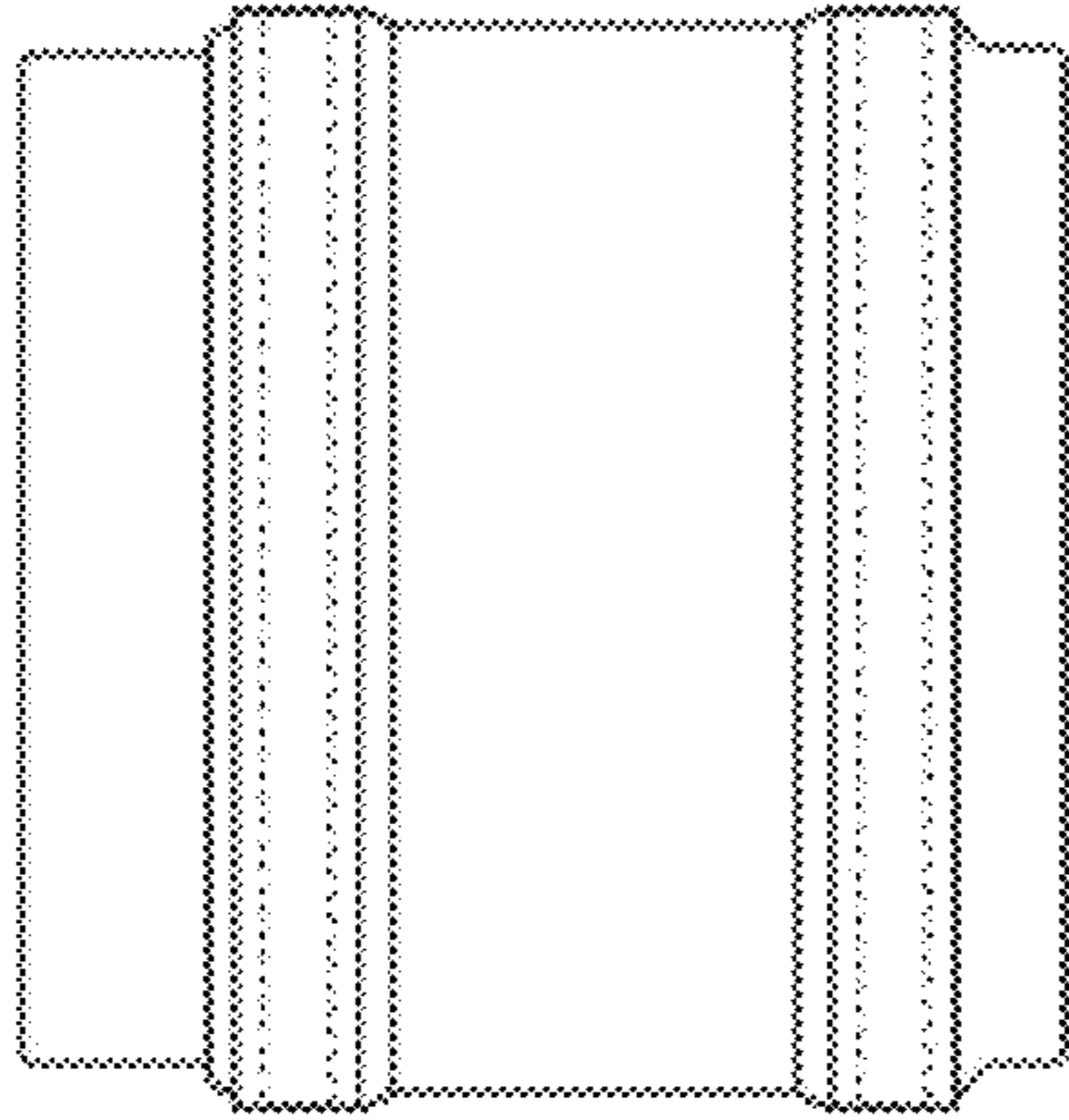


FIG. 2

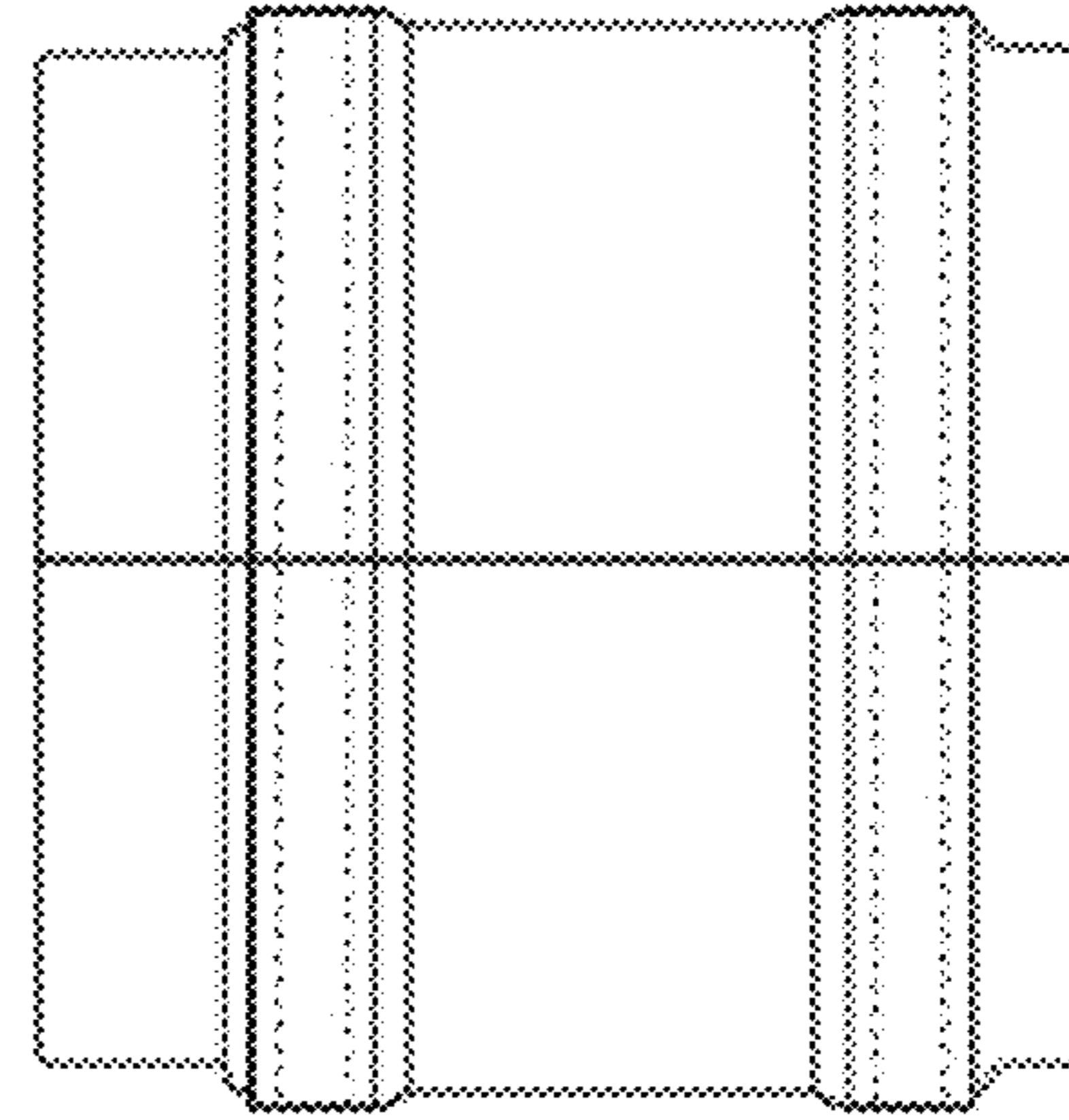


FIG. 3

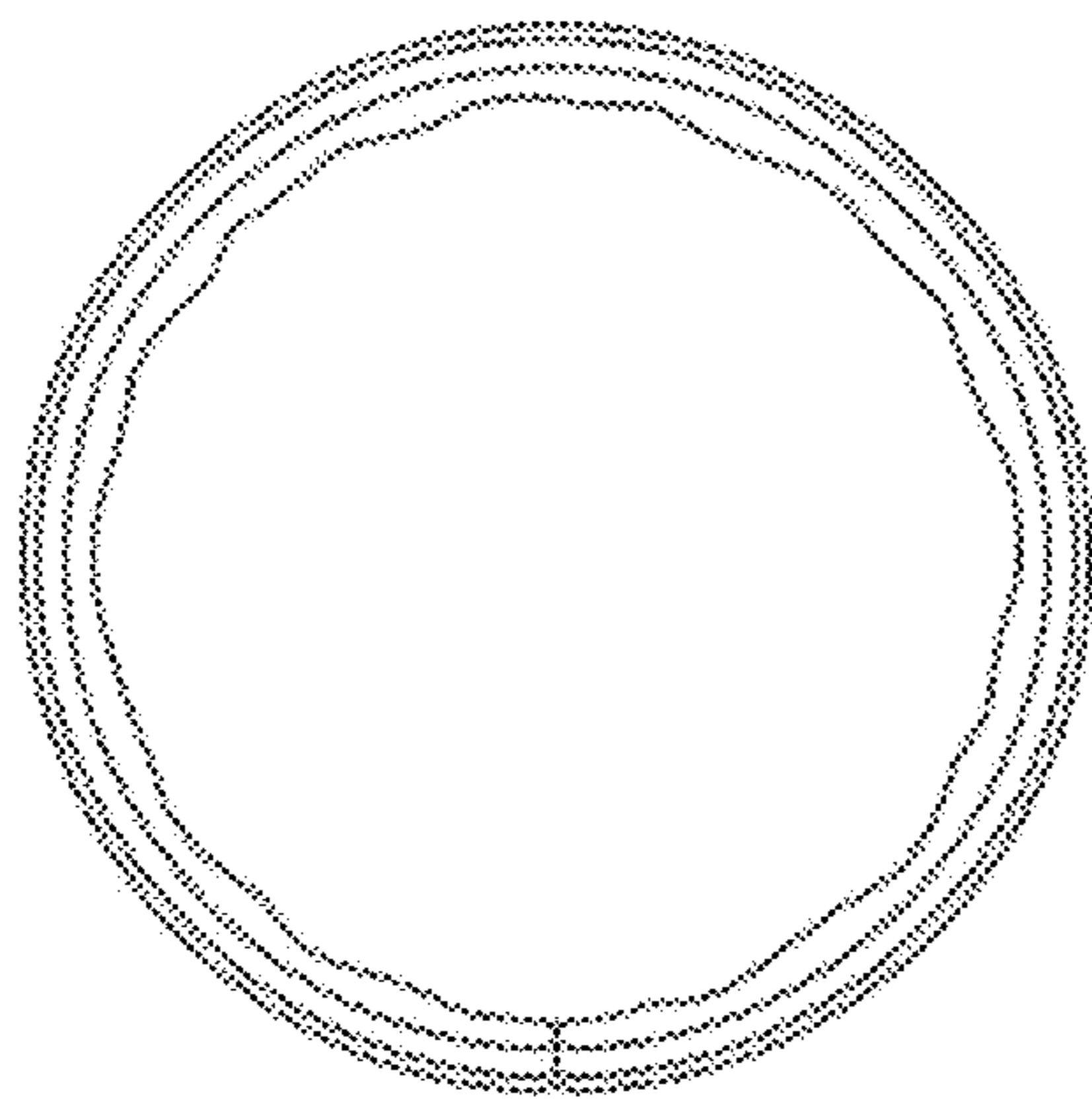


FIG. 4

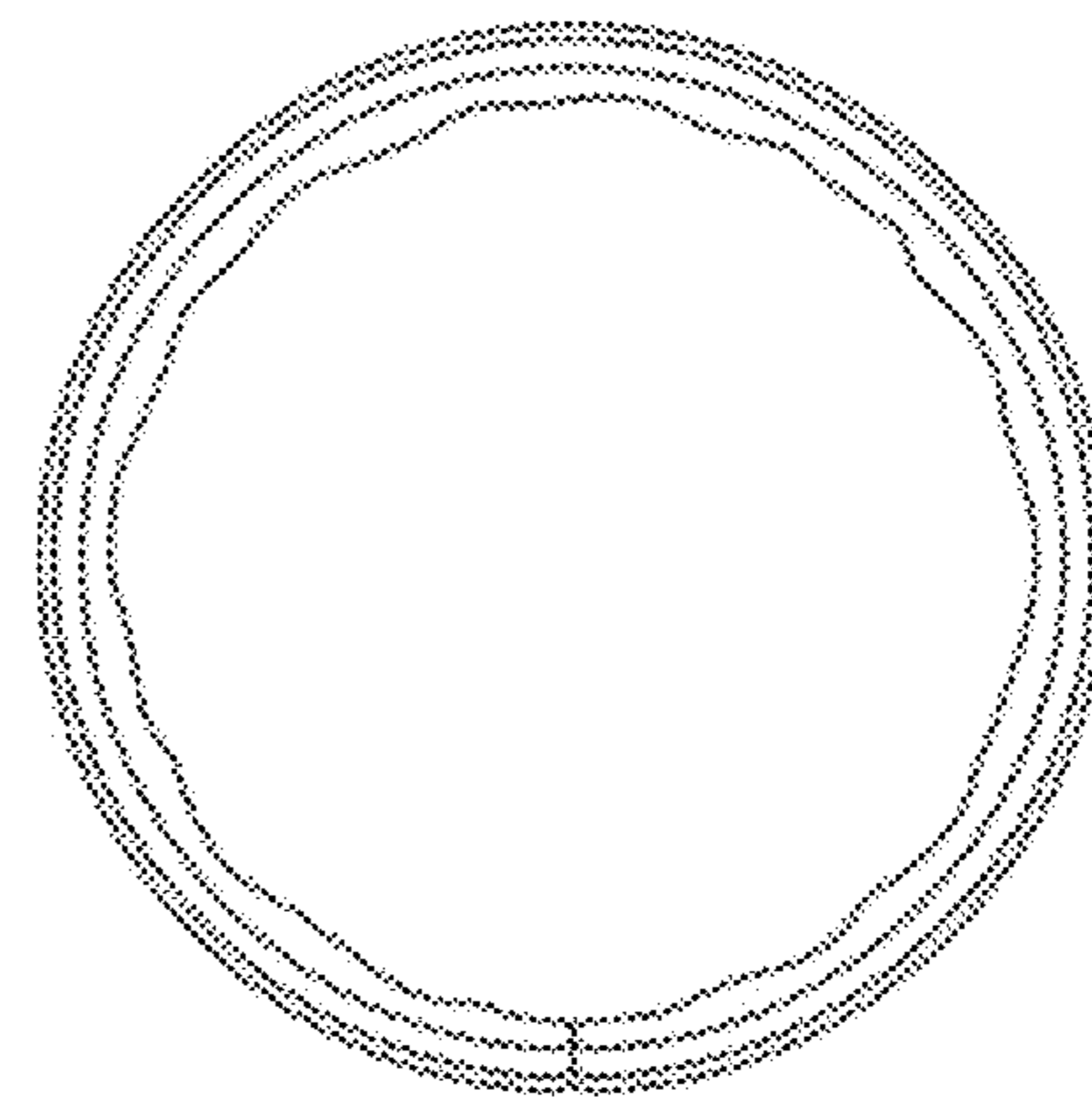


FIG. 5

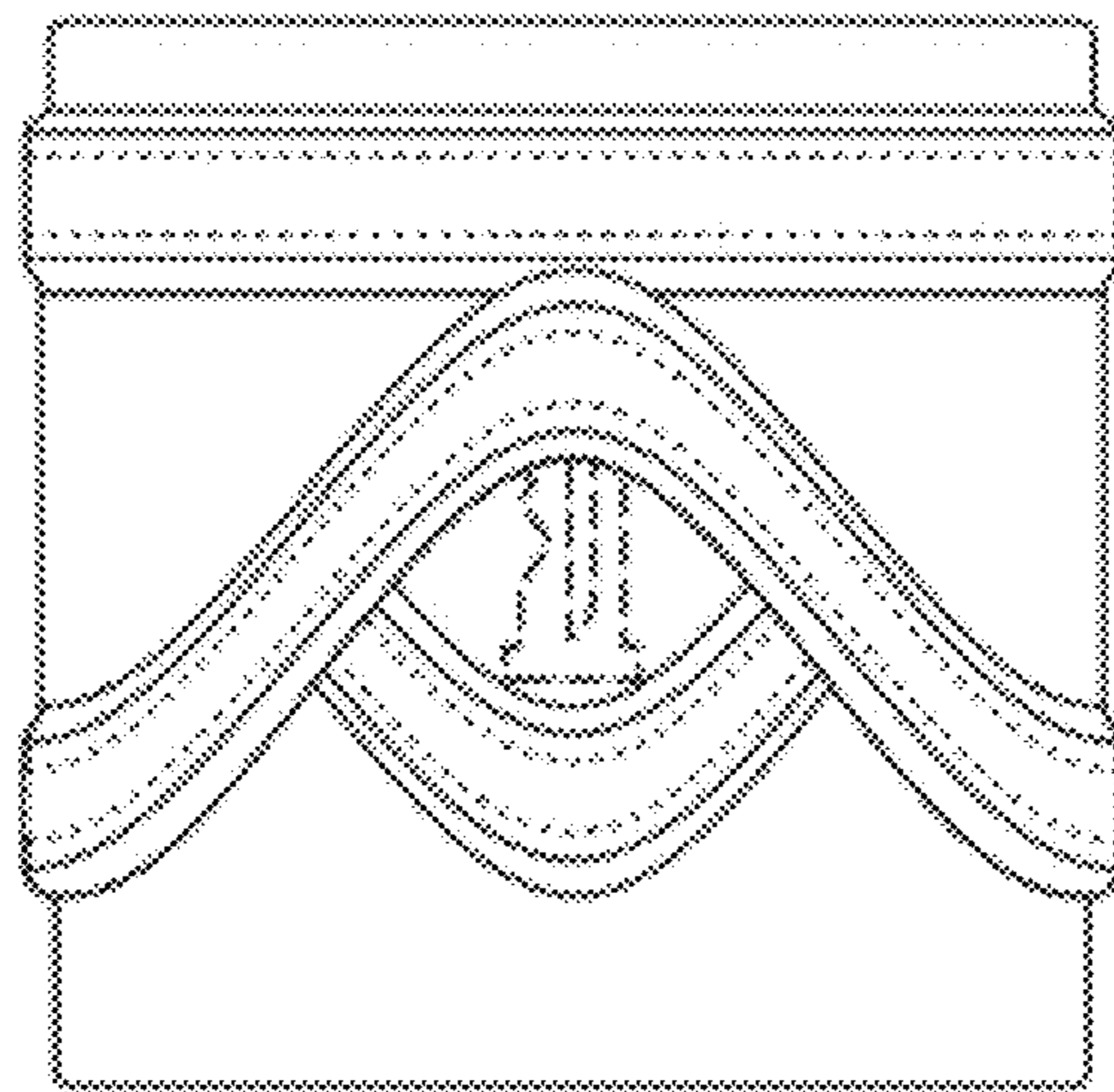


FIG. 6

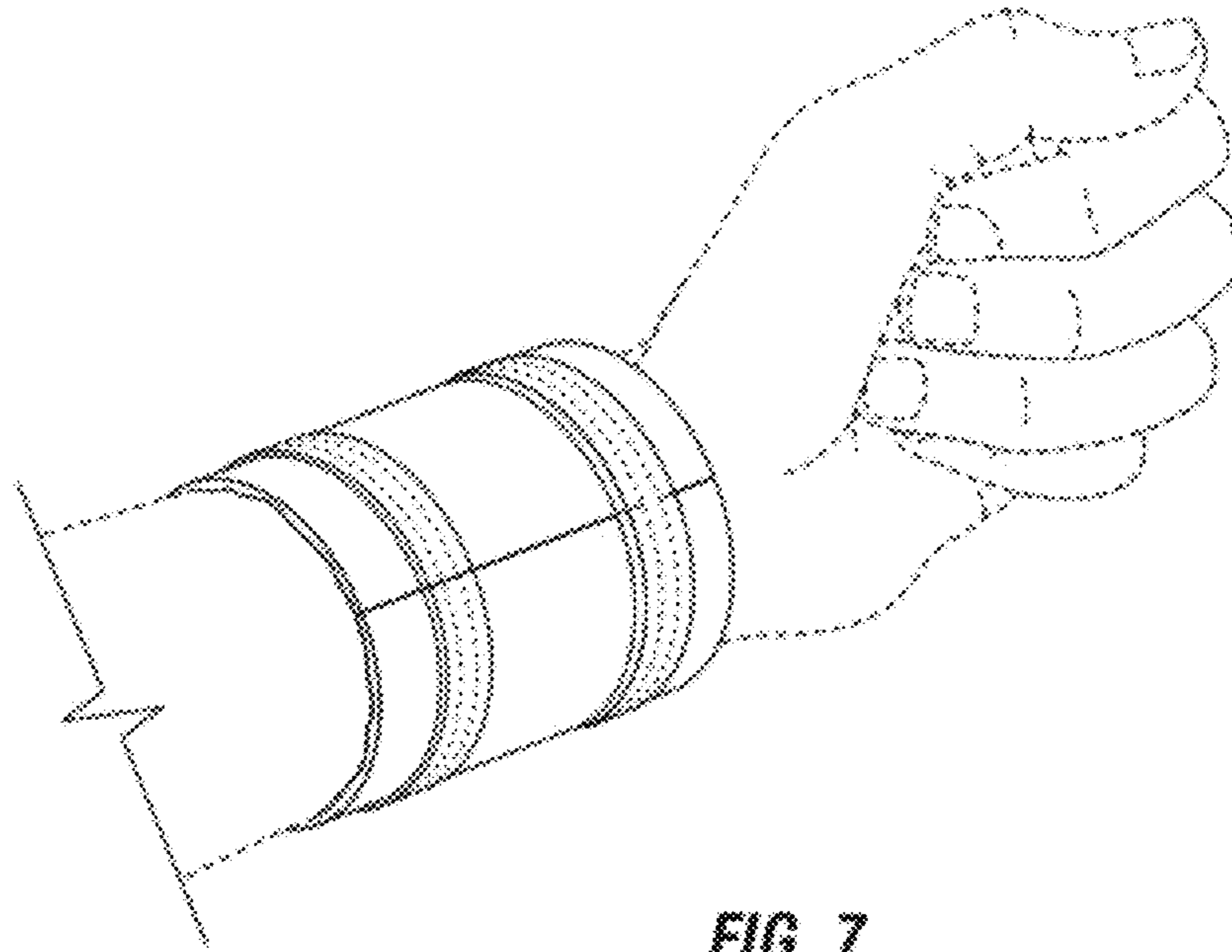


FIG. 7

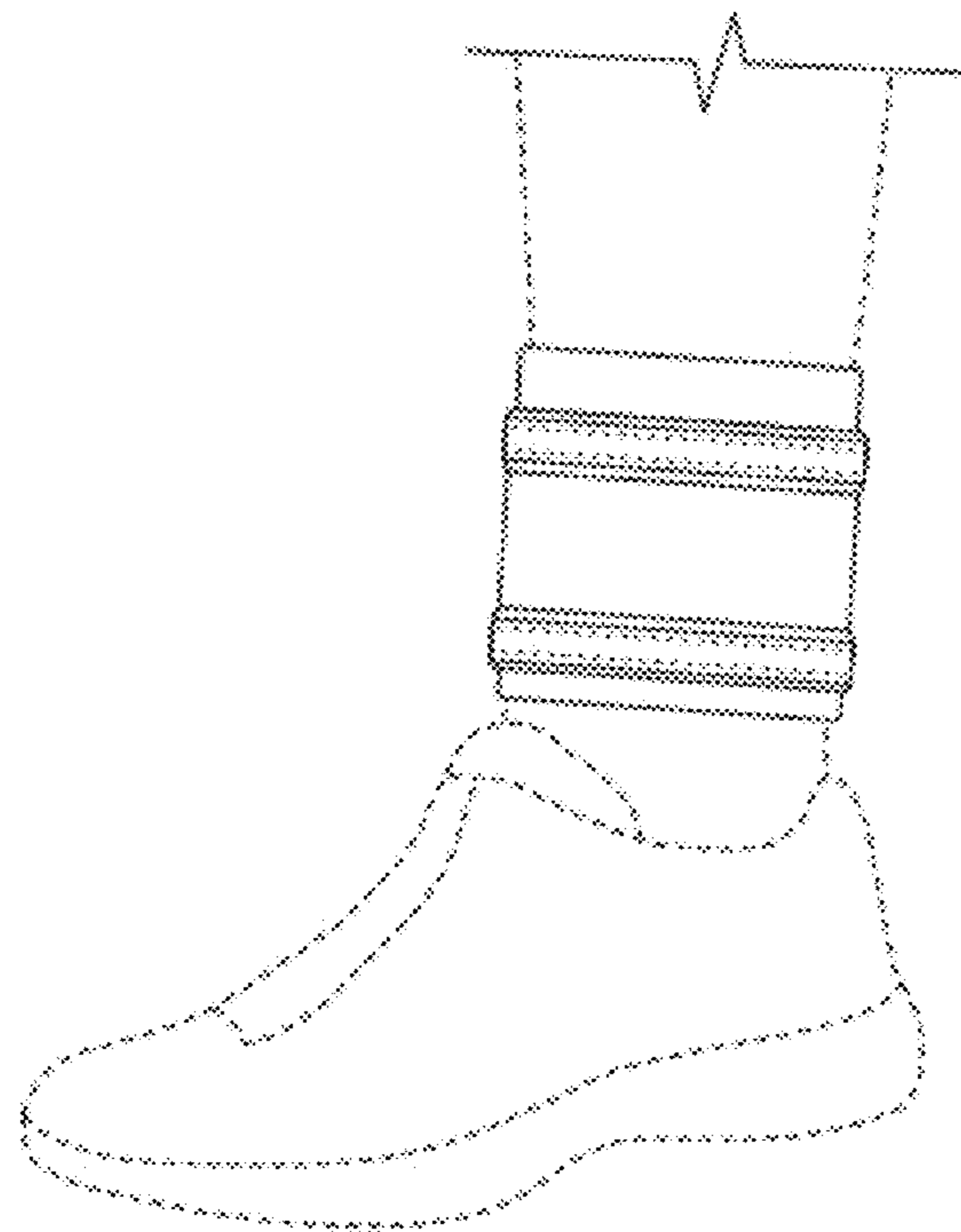


FIG. 8