



US00D659283S

(12) **United States Design Patent**
Caboen et al.

(10) **Patent No.:** **US D659,283 S**

(45) **Date of Patent:** **** May 8, 2012**

(54) **SOAP BAR**

(75) Inventors: **Adrian Barclay Caboen**, London (GB);
Kok Chian Leong, London (GB);
Benjamin James Watson, London (GB)

(73) Assignee: **Conopco, Inc.**, Englewood Cliffs, NJ
(US)

(**) Term: **14 Years**

(21) Appl. No.: **29/382,884**

(22) Filed: **Jan. 10, 2011**

(51) **LOC (9) Cl.** **28-02**

(52) **U.S. Cl.** **D28/8.1**

(58) **Field of Classification Search** D28/4,
D28/8.1-8.2; D24/100-102; 510/133, 141-148,
510/440, 447-450

See application file for complete search history.

(56) **References Cited**

U.S. PATENT DOCUMENTS

D300,673 S * 4/1989 Rhoa et al. D24/101
D301,763 S * 6/1989 Rhoa et al. D24/101
D443,722 S * 6/2001 Freeman et al. D28/8.2

D456,561 S * 4/2002 Freeman et al. D28/8.2
D588,742 S * 3/2009 Sommer et al. D28/8.1
D624,697 S * 9/2010 Oates D28/8.1

* cited by examiner

Primary Examiner — Jennifer Rivard

(74) *Attorney, Agent, or Firm* — Alan A. Bornstein

(57) **CLAIM**

The ornamental design for a soap bar, as shown and described.

DESCRIPTION

FIG. 1 is a perspective view of our soap bar from the front, above and one side;

FIG. 2 is a front elevational view thereof;

FIG. 3 is a rear elevational view thereof;

FIG. 4 is a side elevational view thereof;

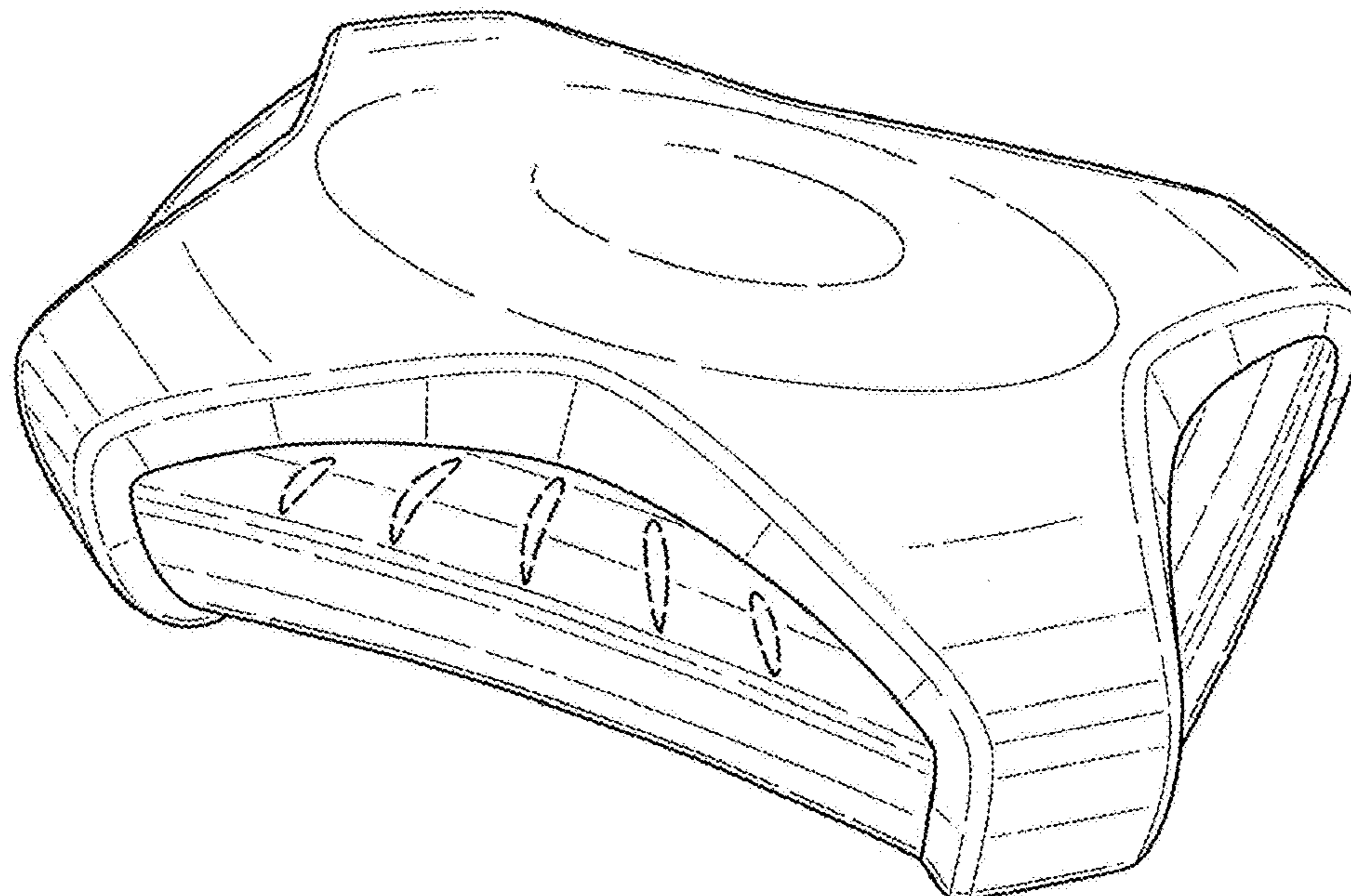
FIG. 5 is a side elevational view of the other side thereof;

FIG. 6 is a top plan view thereof; and,

FIG. 7 is a bottom plan view thereof.

The broken lines are directed to environment and are for illustrative purposes only; the broken lines form no part of the claimed design.

1 Claim, 3 Drawing Sheets



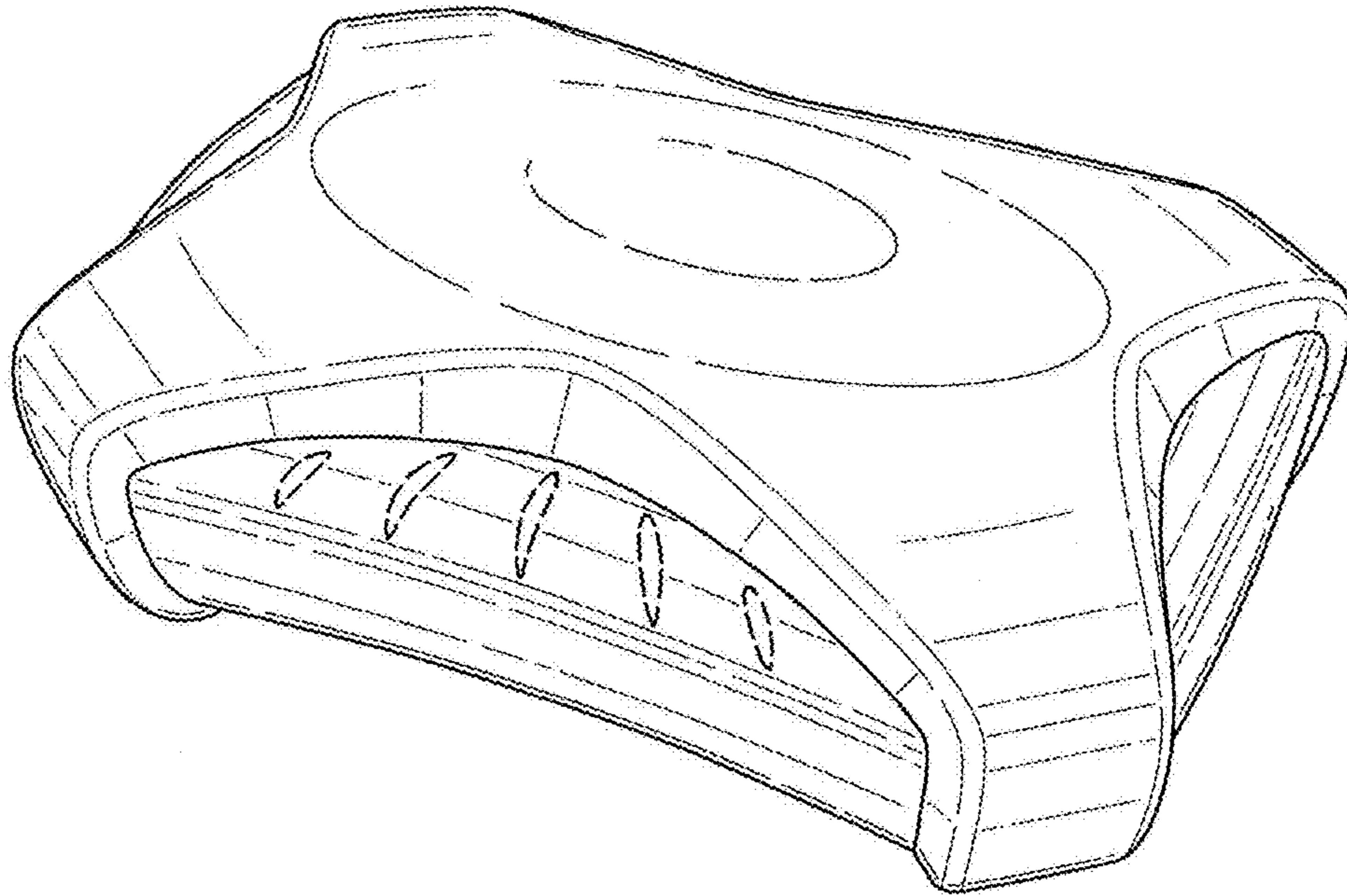


Fig. 1.

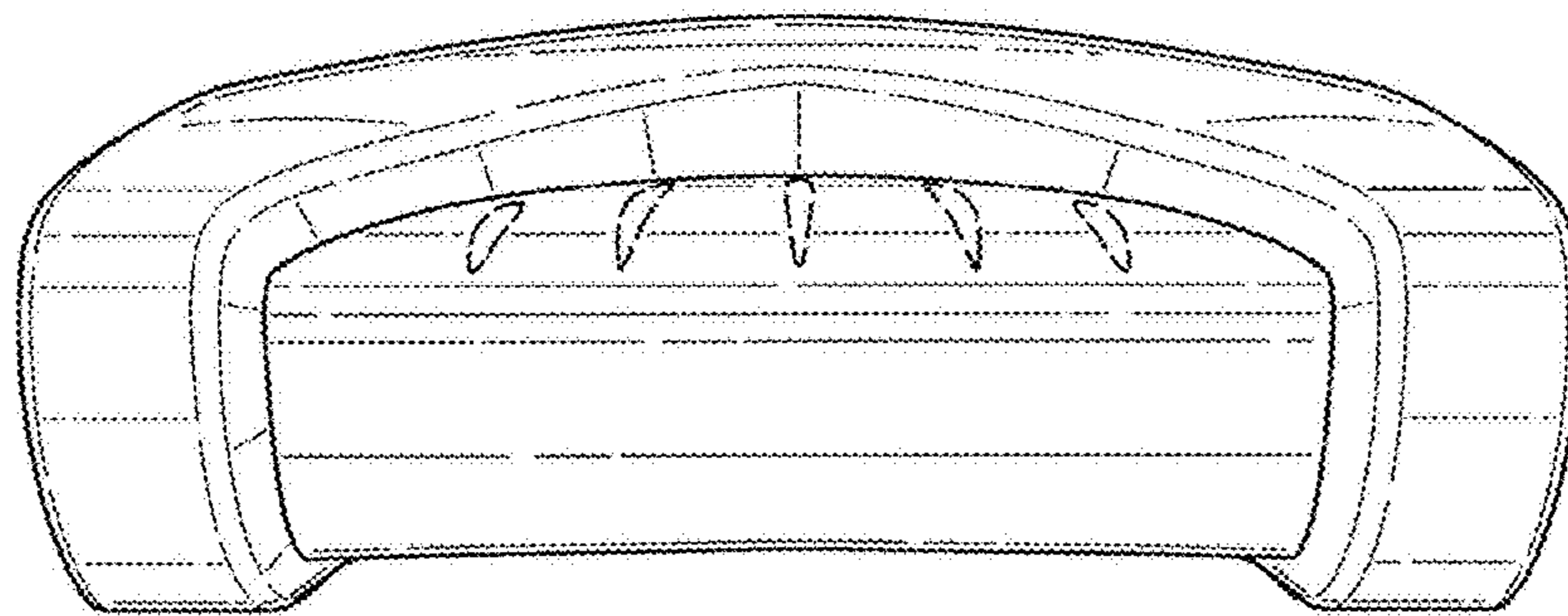


Fig. 2.

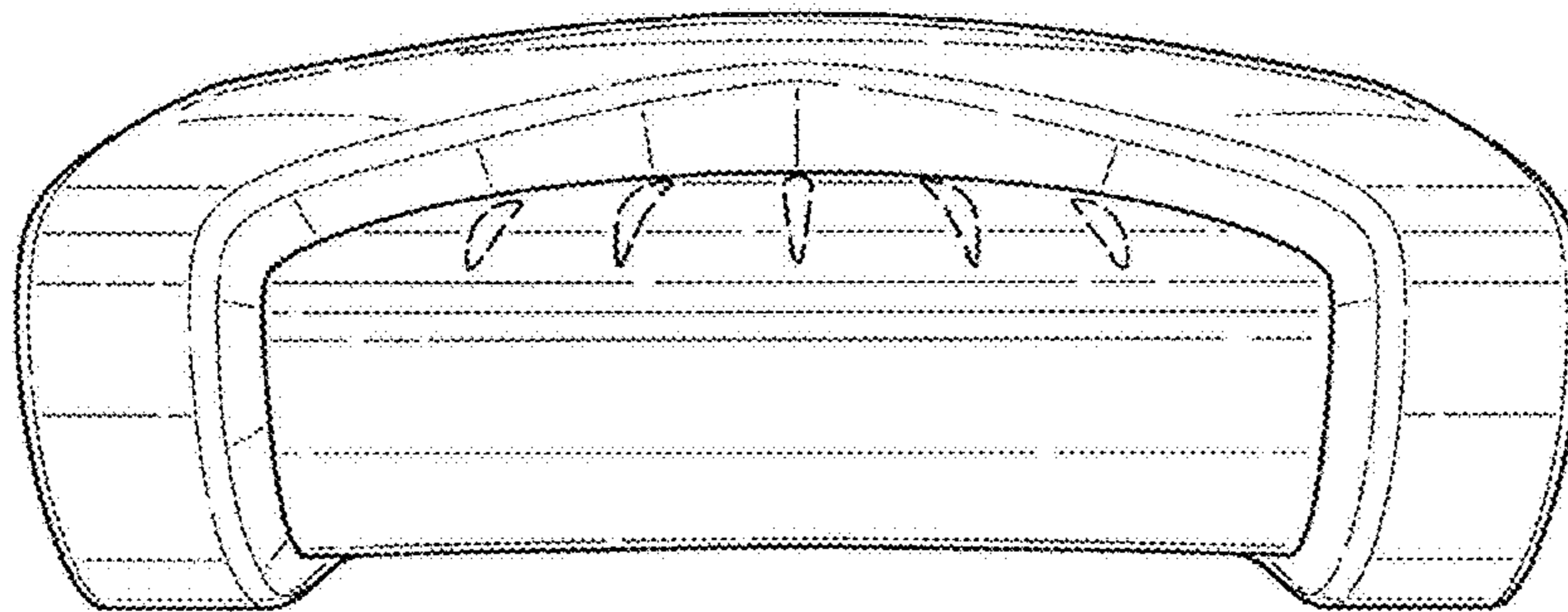


Fig. 3.

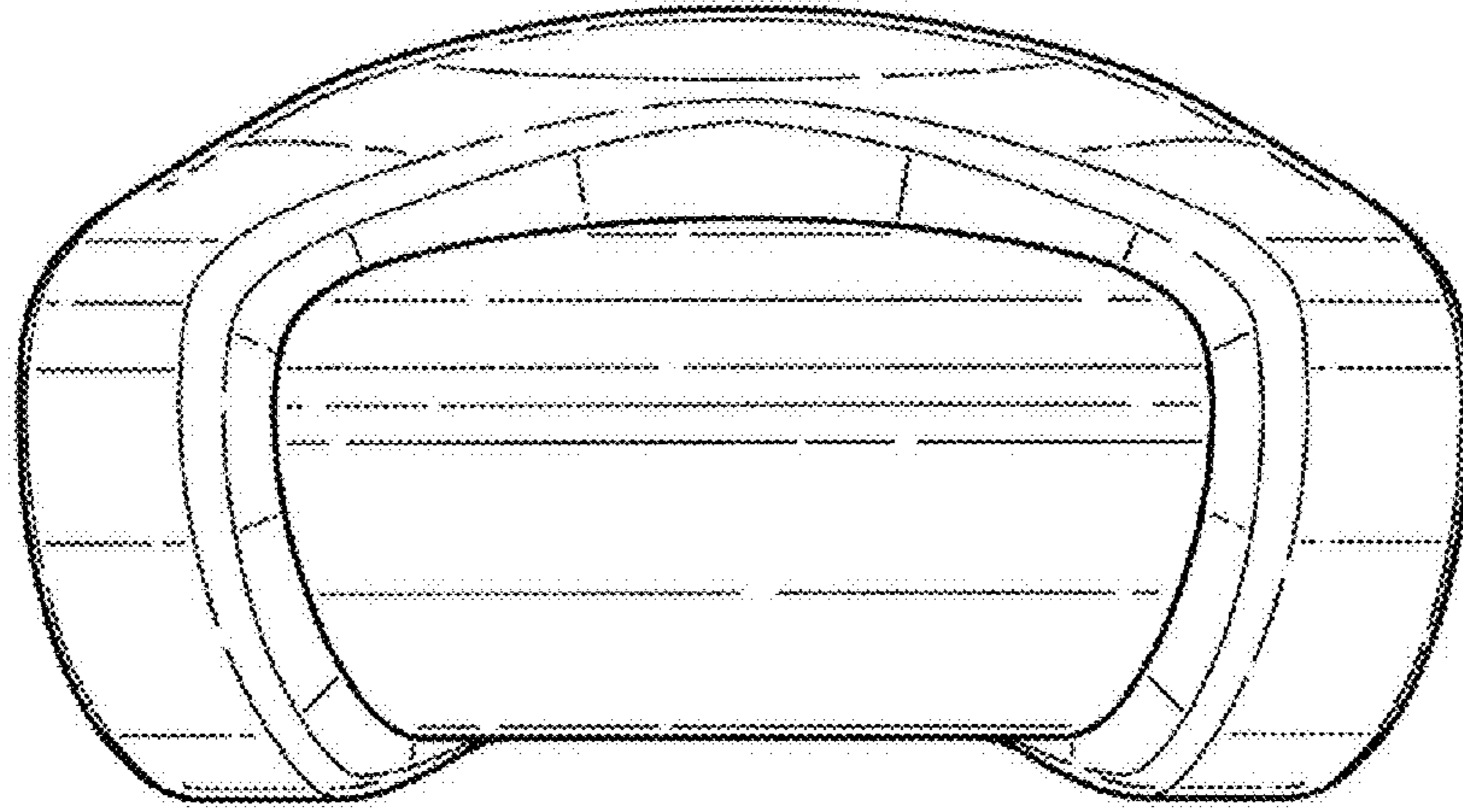


Fig. 4.

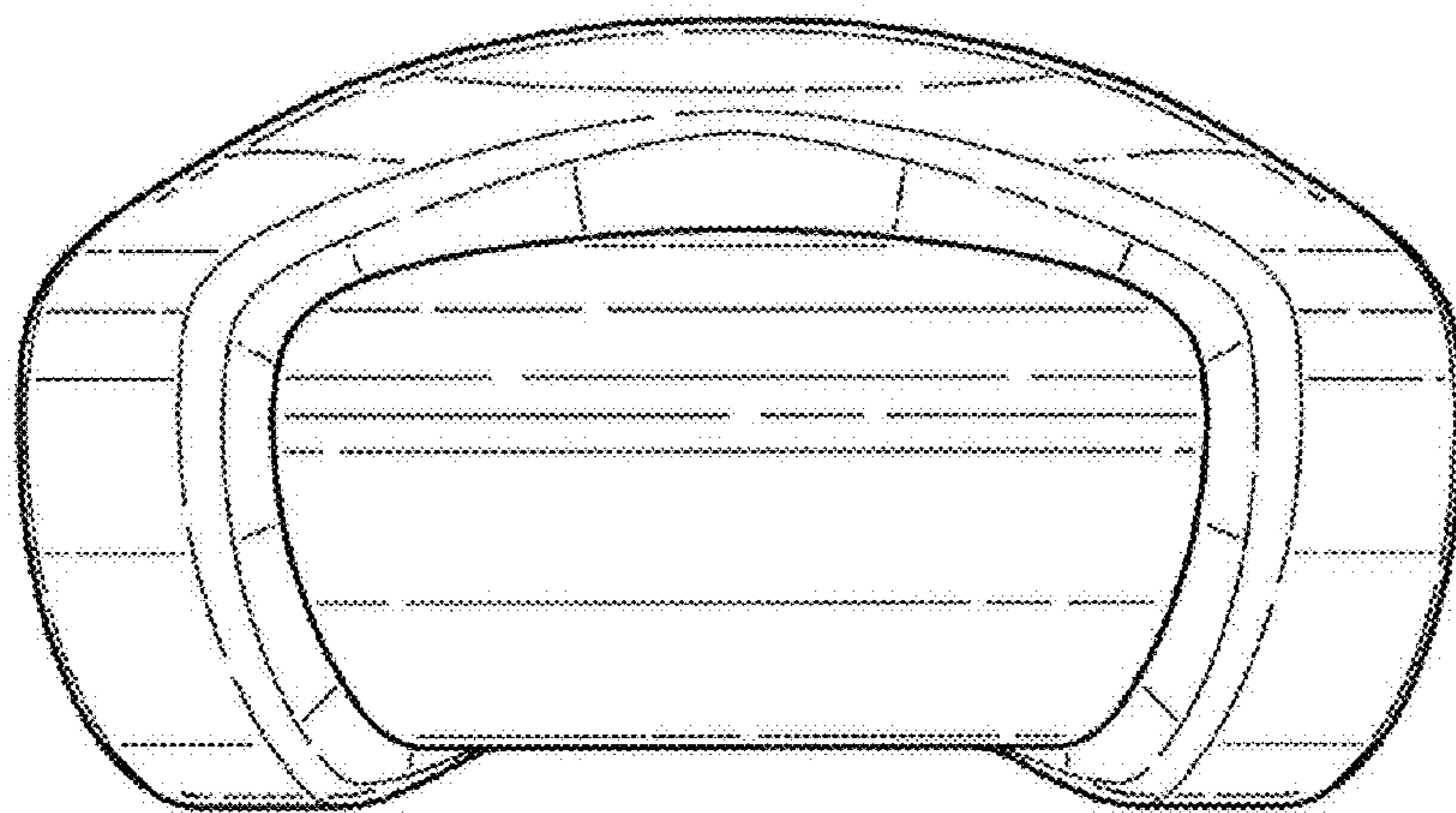


Fig. 5.

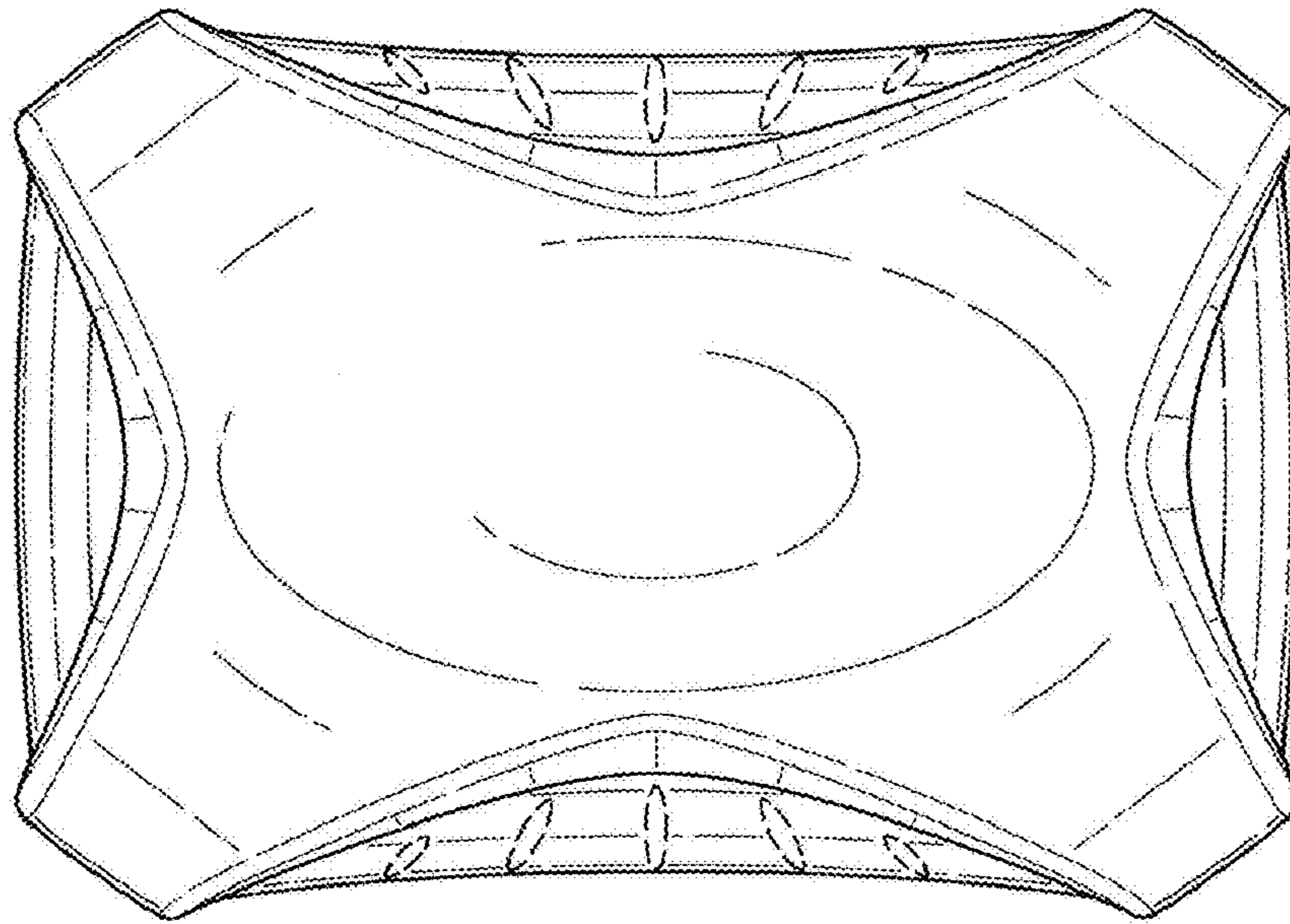


Fig. 6.

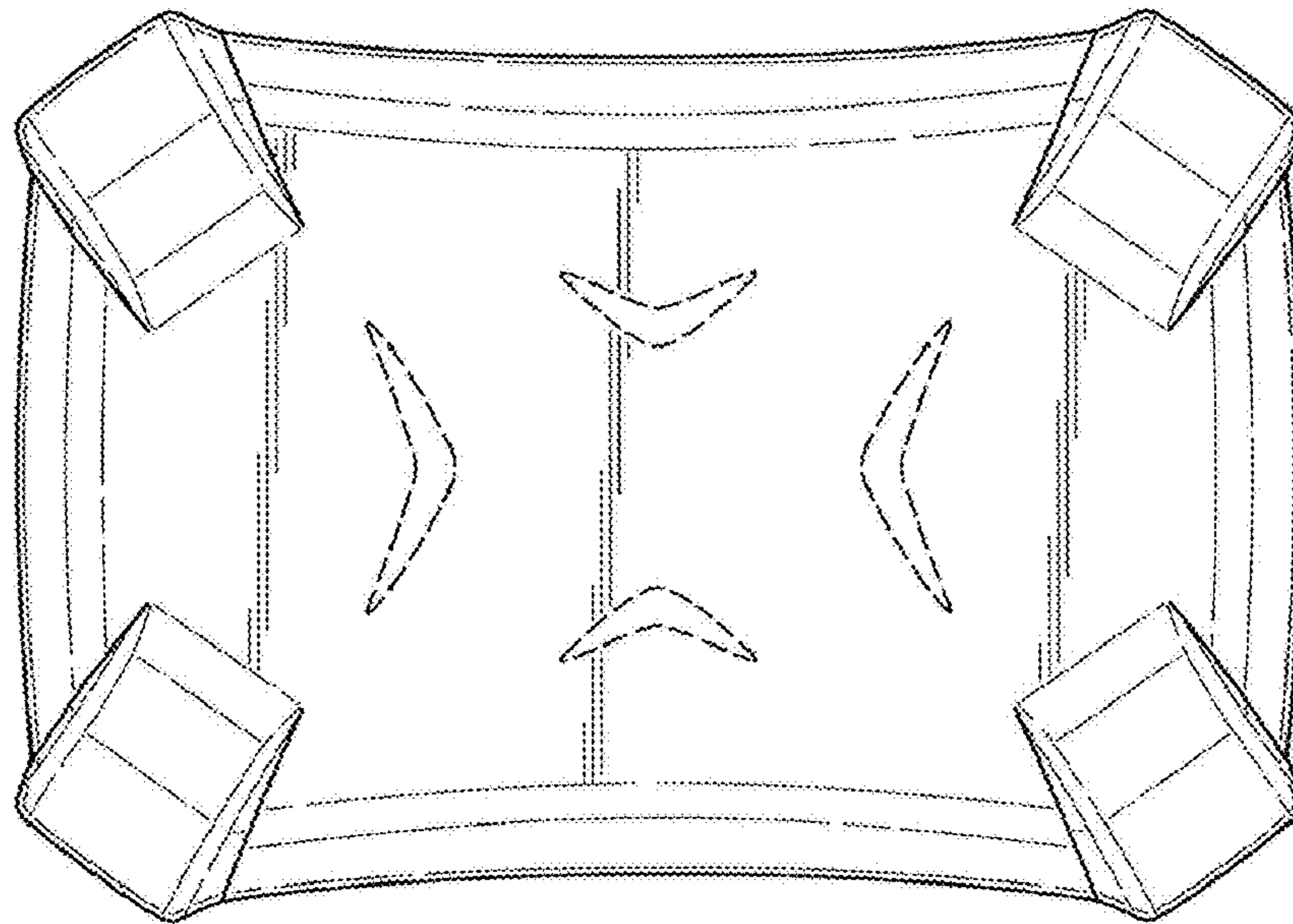


Fig. 7.