



US00D659282S

(12) **United States Design Patent**
Richmond

(10) **Patent No.:** **US D659,282 S**

(45) **Date of Patent:** **** May 8, 2012**

(54) **SOLAR-POWERED LIGHT**

(76) Inventor: **Simon Nicholas Richmond**, Princeton,
NJ (US)

(**) Term: **14 Years**

(21) Appl. No.: **29/373,919**

(22) Filed: **Jun. 8, 2011**

(51) **LOC (9) Cl.** **26-99**

(52) **U.S. Cl.** **D26/138**

(58) **Field of Classification Search** 40/617,
40/553, 592; D16/101; D13/179, 180; D9/457;
D12/400; D8/354, 382; D10/11; D11/79,
D11/129, 125, 128, 126, 127, 124, 121, 122,
D11/123; D30/133; D6/462, 403; D20/41,
D20/42, 10; D25/100, 106; 362/343, 362,
362/246, 260, 256, 223, 125, 565, 647, 350,
362/102; D26/96, 95, 91, 92, 93, 28, 26,
D26/27, 144, 131, 94, 126, 24, 25, 140, 141,
D26/142, 143, 71, 72, 73, 74, 75, 76, 77,
D26/78, 79, 81, 113, 118, 119, 120, 121,
D26/122, 39, 138, 135, 139, 145, 155, 154,
D26/63, 64, 65, 66, 67, 68, 84, 85, 83, 82,
D26/1, 2, 3, 86, 88, 132, 133, 134, 60, 61,
D26/62, 123, 124, 125

See application file for complete search history.

(56) **References Cited**

U.S. PATENT DOCUMENTS

D39,405 S *	7/1908	Cross	D26/132
D51,781 S *	2/1918	Gothberg	D26/153
D62,350 S *	5/1923	Wohlauer	D26/132
D79,410 S *	9/1929	Ohm	D26/132
D254,155 S *	2/1980	Allen	D26/104
D300,258 S *	3/1989	Rubarth	D26/11
D348,906 S *	7/1994	Hubble	D20/41
D355,389 S *	2/1995	Wang	D11/121
D361,794 S *	8/1995	Oakley	D20/41
D367,078 S *	2/1996	Oakley	D20/41

D373,552 S *	9/1996	Lownsbury	D11/121
D376,443 S *	12/1996	Porter	D26/138
D386,810 S *	11/1997	Porter et al.	D26/145
D390,998 S *	2/1998	Markee	D26/85
D391,000 S *	2/1998	Markee	D26/86
D399,331 S *	10/1998	Greene et al.	D26/88
D402,431 S *	12/1998	Peterson	D30/133
D412,759 S *	8/1999	Hardy	D26/9
5,947,588 A *	9/1999	Huang	362/235

(Continued)

OTHER PUBLICATIONS

“Solar Etched Dragonfly Lights” light fixtures displayed on internet page downloaded from www.solutions.com on Jun. 7, 2011.

(Continued)

Primary Examiner — Kevin Rudzinski

(57) **CLAIM**

The ornamental design for a solar-powered light, as shown and described.

DESCRIPTION

FIG. 1 is a perspective view of a solar-powered light in accordance with the present invention;

FIG. 2 is a first side view of the solar-powered light shown in FIG. 1. The opposing side is identical/symmetrical with FIG. 2;

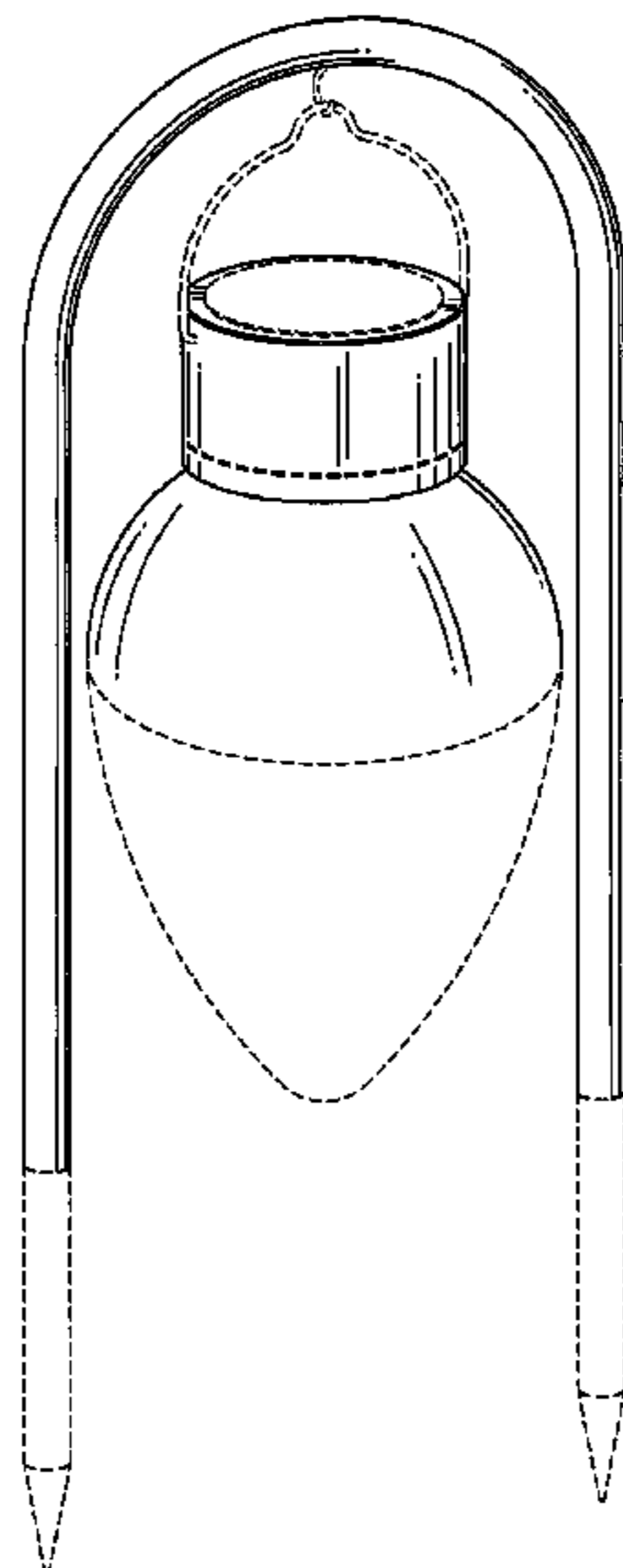
FIG. 3 is a second side view of the solar-powered light shown in FIG. 1. The opposing side is identical/symmetrical with FIG. 3;

FIG. 4 is an enlarged top view of the solar-powered light shown in FIG. 1; and,

FIG. 5 is an enlarged bottom view of the solar-powered light shown in FIG. 1.

The broken lines shown in the drawings illustrate unclaimed portions of the solar-powered light and environmental structures and form no part of the claimed design.

1 Claim, 4 Drawing Sheets



US D659,282 S

Page 2

U.S. PATENT DOCUMENTS

D421,822 S * 3/2000 Van Hale D30/154
6,035,576 A * 3/2000 Bozeman 47/47
D432,710 S * 10/2000 Johnson D26/142
D436,210 S * 1/2001 Miranda D26/81
D438,332 S * 2/2001 Pratt D26/131
D456,913 S * 5/2002 Liu D26/2
D457,251 S * 5/2002 Conde D25/100
D459,496 S * 6/2002 Lin D26/2
D461,577 S 8/2002 Cheong
D471,293 S * 3/2003 Bobel D26/2
D473,967 S * 4/2003 Hoernig D26/82
D476,094 S * 6/2003 Baarman et al. D26/2
D481,157 S * 10/2003 Fickas et al. D26/128
D483,234 S * 12/2003 Hansen D8/1
D484,635 S * 12/2003 Baarman et al. D26/108
D494,310 S * 8/2004 Cline et al. D26/128
D500,563 S * 1/2005 Baarman et al. D26/2
D517,343 S * 3/2006 Hayes D6/403
D529,655 S 10/2006 Allsop et al.
D529,656 S * 10/2006 Wen D26/68
D539,465 S * 3/2007 Rokke et al. D26/106
D543,483 S * 5/2007 Sexton et al. D11/121
D545,079 S * 6/2007 Peterson D6/403

D556,372 S * 11/2007 Chan D26/145
D556,933 S * 12/2007 Sanoner D26/68
D560,017 S * 1/2008 Morris et al. D26/128
D566,857 S 4/2008 Doyle
D589,188 S * 3/2009 Sabernig D26/62
D591,887 S * 5/2009 Tortel D26/67
D611,640 S * 3/2010 Sabernig D26/63
D614,320 S * 4/2010 Yoo D26/2
D615,683 S * 5/2010 Chen D26/68
7,730,653 B2 * 6/2010 Zazworsky, Jr. 40/607.05
D624,683 S * 9/2010 Liang D26/68
D628,332 S * 11/2010 Yang et al. D26/68
D637,756 S * 5/2011 Okano et al. D26/135
D650,119 S * 12/2011 Yang et al. D26/120
D650,120 S * 12/2011 Yang et al. D26/120
2005/0243550 A1 * 11/2005 Stekelenburg 362/240

OTHER PUBLICATIONS

“Home Solar Shephards Hook Crackle Ball Stake Light” light fixture displayed on internet page downloaded from www.target.com on Jun. 7, 2011.

* cited by examiner

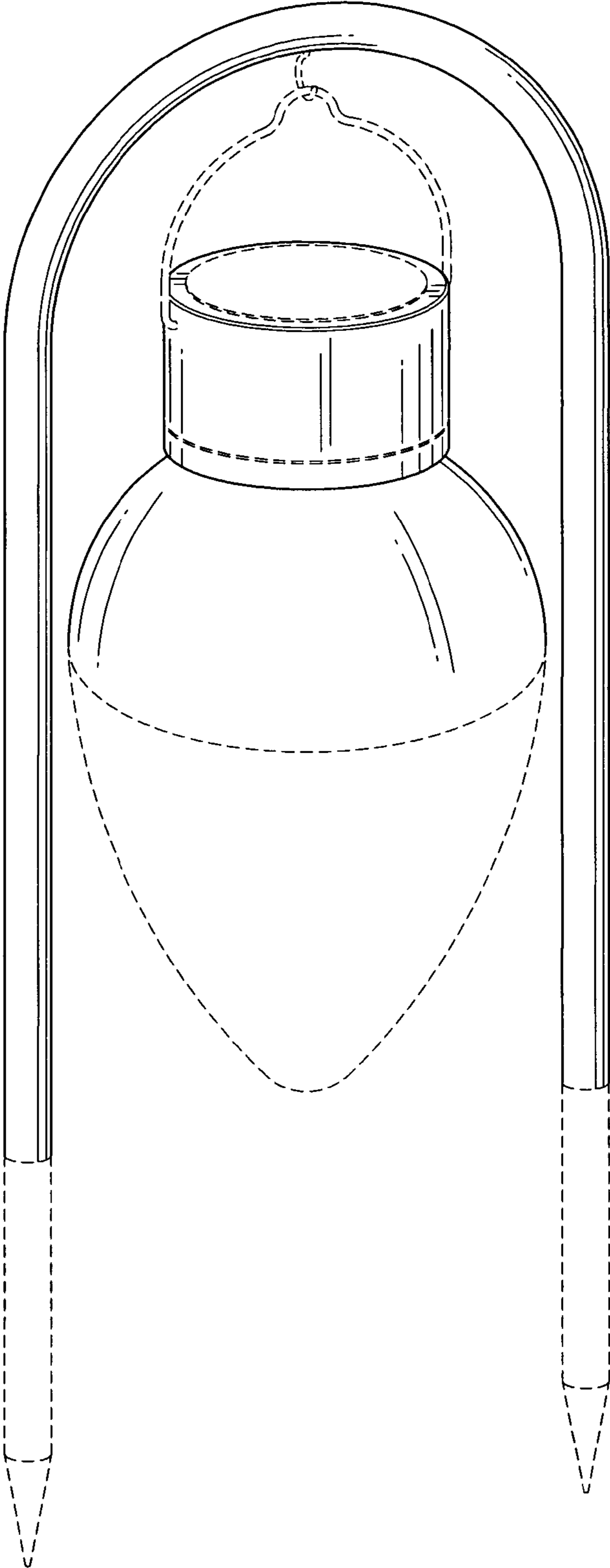


FIG. 1

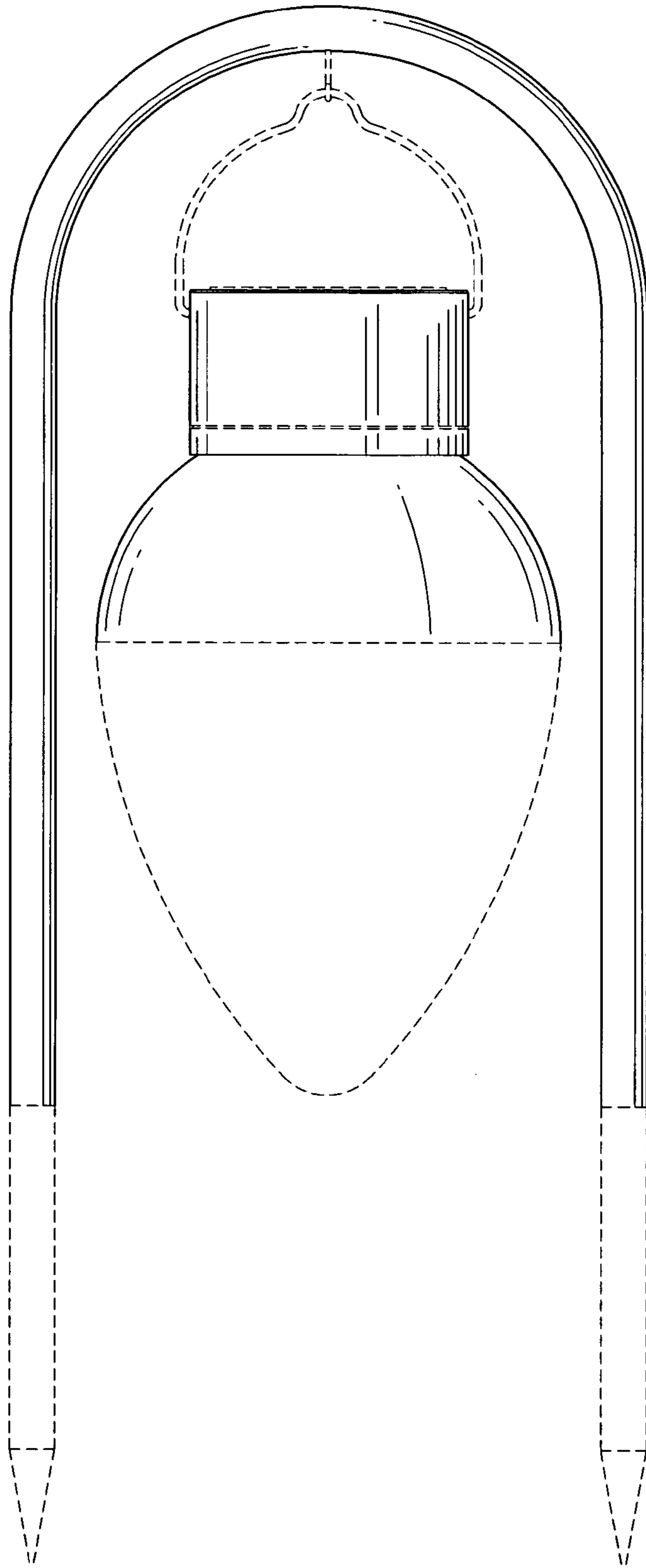


FIG. 2

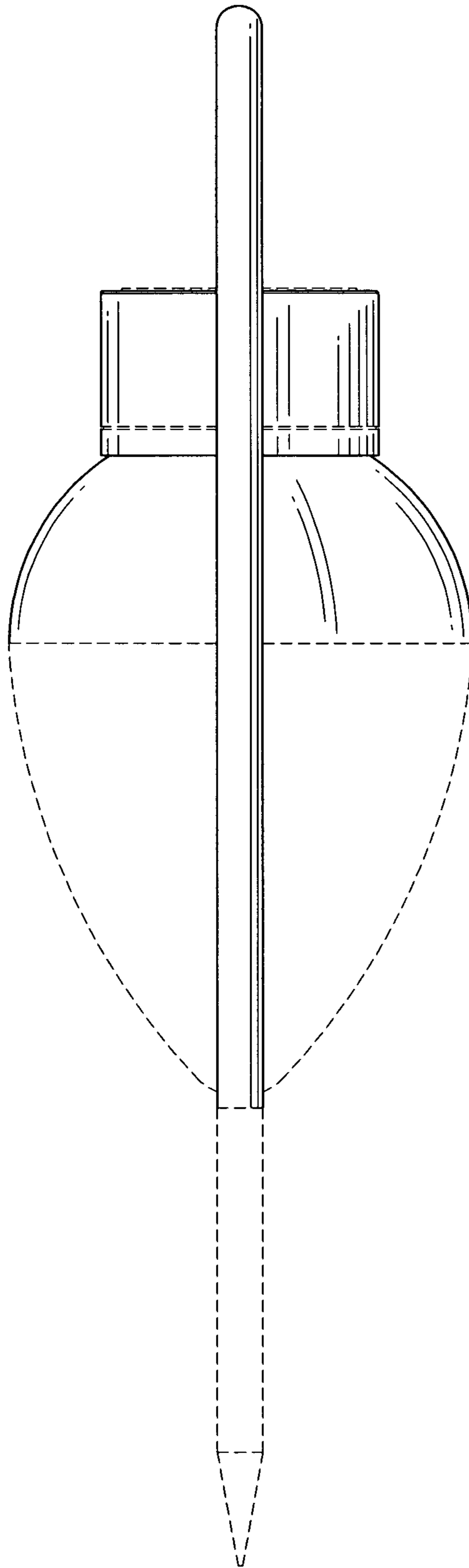


FIG. 3

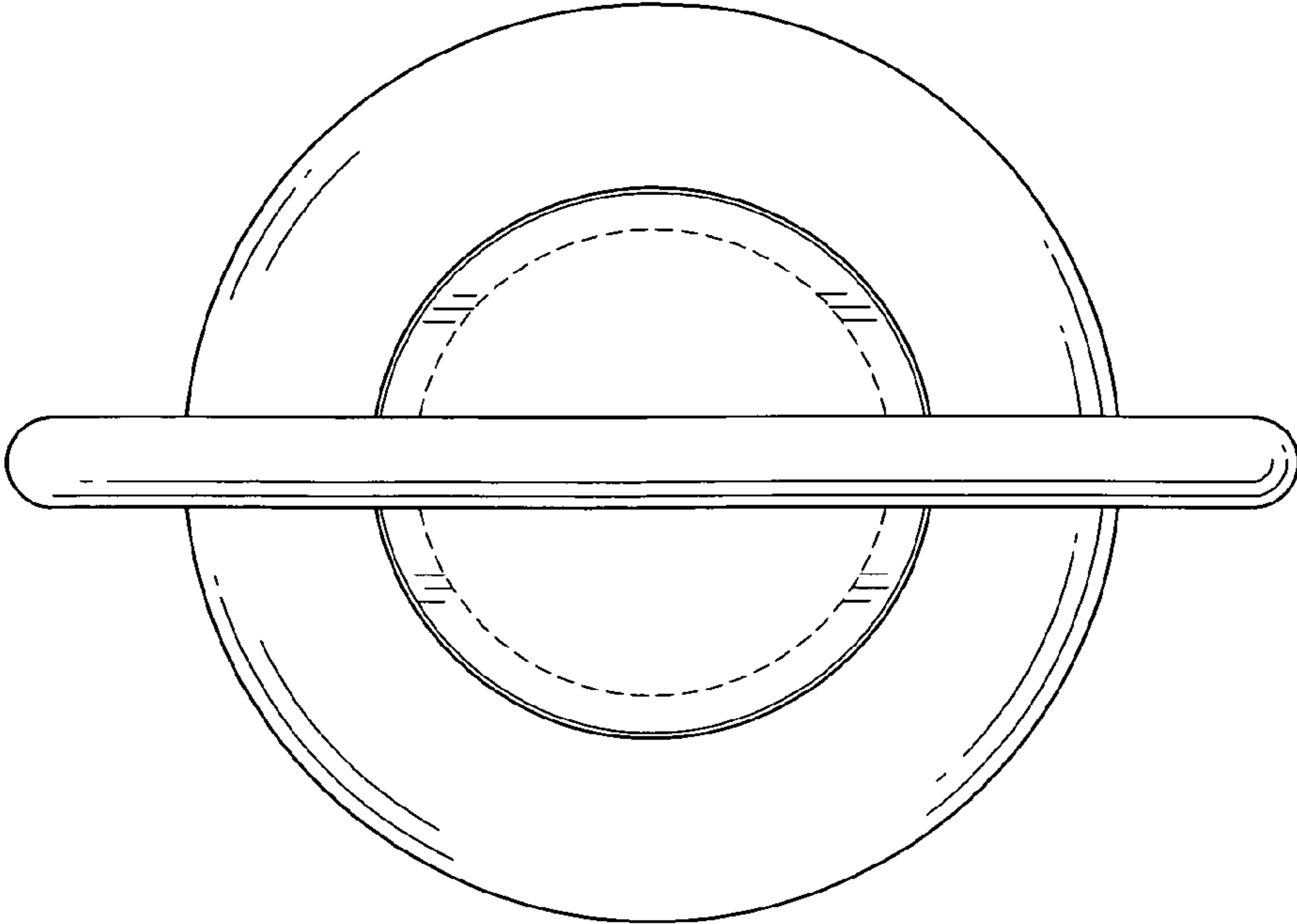


FIG. 4

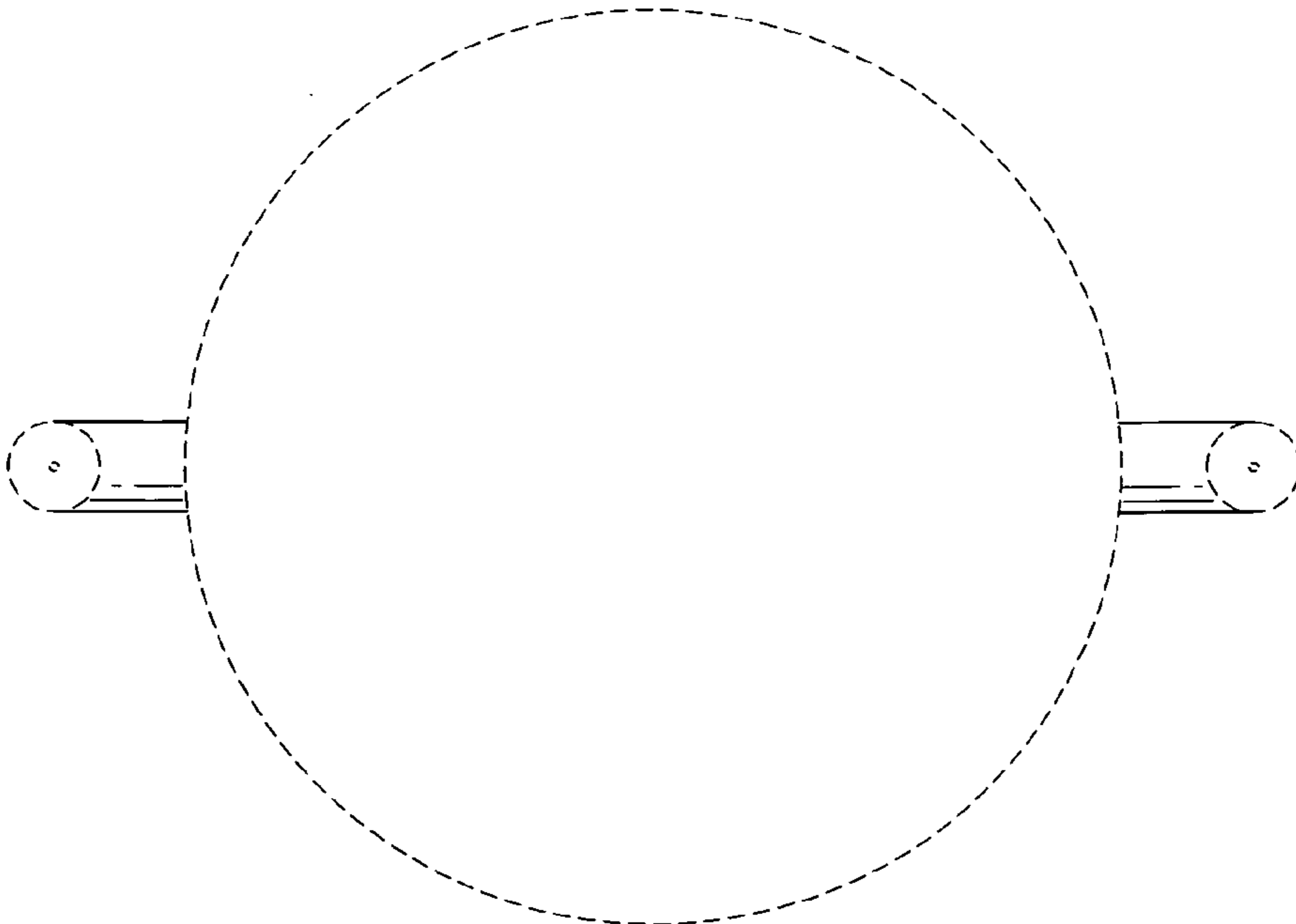


FIG. 5