



US00D659280S

(12) **United States Design Patent**
Guercio et al.

(10) **Patent No.:** **US D659,280 S**

(45) **Date of Patent:** **** May 8, 2012**

(54) **LED FLOOD LIGHT**

(75) Inventors: **Vincenzo Guercio**, Wallkill, NY (US);
Jiang Hu, Shanghai (CN)

(73) Assignee: **RAB Lighting Inc.**, Northvale, NJ (US)

(**) Term: **14 Years**

(21) Appl. No.: **29/393,597**

(22) Filed: **Jun. 7, 2011**

(51) **LOC (9) Cl.** **26-99**

(52) **U.S. Cl.** **D26/118**

(58) **Field of Classification Search** 40/617,
40/553, 592; D16/101; D13/179, 180; D9/457;
D12/400; D8/354, 382; D10/11; D11/79,
D11/129, 125, 128, 126, 127, 124, 121, 122,
D11/123; D30/133; D6/462, 403; D20/41,
D20/42, 10; D25/100, 106; 362/343, 362,
362/246, 260, 256, 223, 125, 565, 647, 350,
362/102; D26/96, 95, 91, 92, 93, 28, 26,
D26/27, 144, 131, 94, 126, 24, 25, 140, 141,
D26/142, 143, 71, 72, 73, 74, 75, 76, 77,
D26/78, 79, 81, 113, 118, 119, 120, 121,
D26/122, 39, 138, 135, 139, 145, 155, 154,
D26/63, 64, 65, 66, 67, 68, 84, 85, 83, 82,
D26/1, 2, 3, 86, 88, 132, 133, 134, 60, 61,
D26/62, 123, 124, 125

See application file for complete search history.

(56) **References Cited**

U.S. PATENT DOCUMENTS

D203,865	S	*	2/1966	Cooper	D26/63
3,363,091	A	*	1/1968	Cooper	362/293
4,480,809	A	*	11/1984	Healey	248/185.1
D295,791	S	*	5/1988	Strandberg	D26/63
D308,111	S	*	5/1990	Banathy et al.	D26/68
D319,891	S	*	9/1991	Giese	D26/67
D345,226	S	*	3/1994	Tsao	D26/63
D355,502	S	*	2/1995	Liao	D26/67

D360,962	S	*	8/1995	Cornell et al.	D26/67
D407,836	S	*	4/1999	Leen	D26/63
D420,458	S	*	2/2000	Guercio	D26/63
D434,515	S	*	11/2000	McNamara	D26/63
D453,227	S	*	1/2002	Lin	D26/63
D465,592	S	*	11/2002	Lin	D26/65
D475,154	S	*	5/2003	Binsukor	D26/72
D479,015	S	*	8/2003	Tang	D26/63
D545,472	S	*	6/2007	Guercio	D26/63
D549,380	S	*	8/2007	Guercio	D26/63
D550,392	S	*	9/2007	Guercio	D26/92
D550,877	S	*	9/2007	Mullen	D26/63
D552,282	S	*	10/2007	Guercio	D26/63
D552,283	S	*	10/2007	Guercio	D26/63
D552,778	S	*	10/2007	Butler	D26/63
D561,369	S	*	2/2008	Sandell	D26/63
D565,223	S	*	3/2008	Guercio	D26/63
D574,102	S	*	7/2008	Quiogue et al.	D26/63
D577,141	S	*	9/2008	Monroe	D26/61
D610,734	S	*	2/2010	Ward et al.	D26/74
D611,635	S	*	3/2010	Gordin	D26/63

(Continued)

Primary Examiner — Kevin Rudzinski

(74) *Attorney, Agent, or Firm* — Stewart & Irwin, PC;
Dennis S. Schell

(57) **CLAIM**

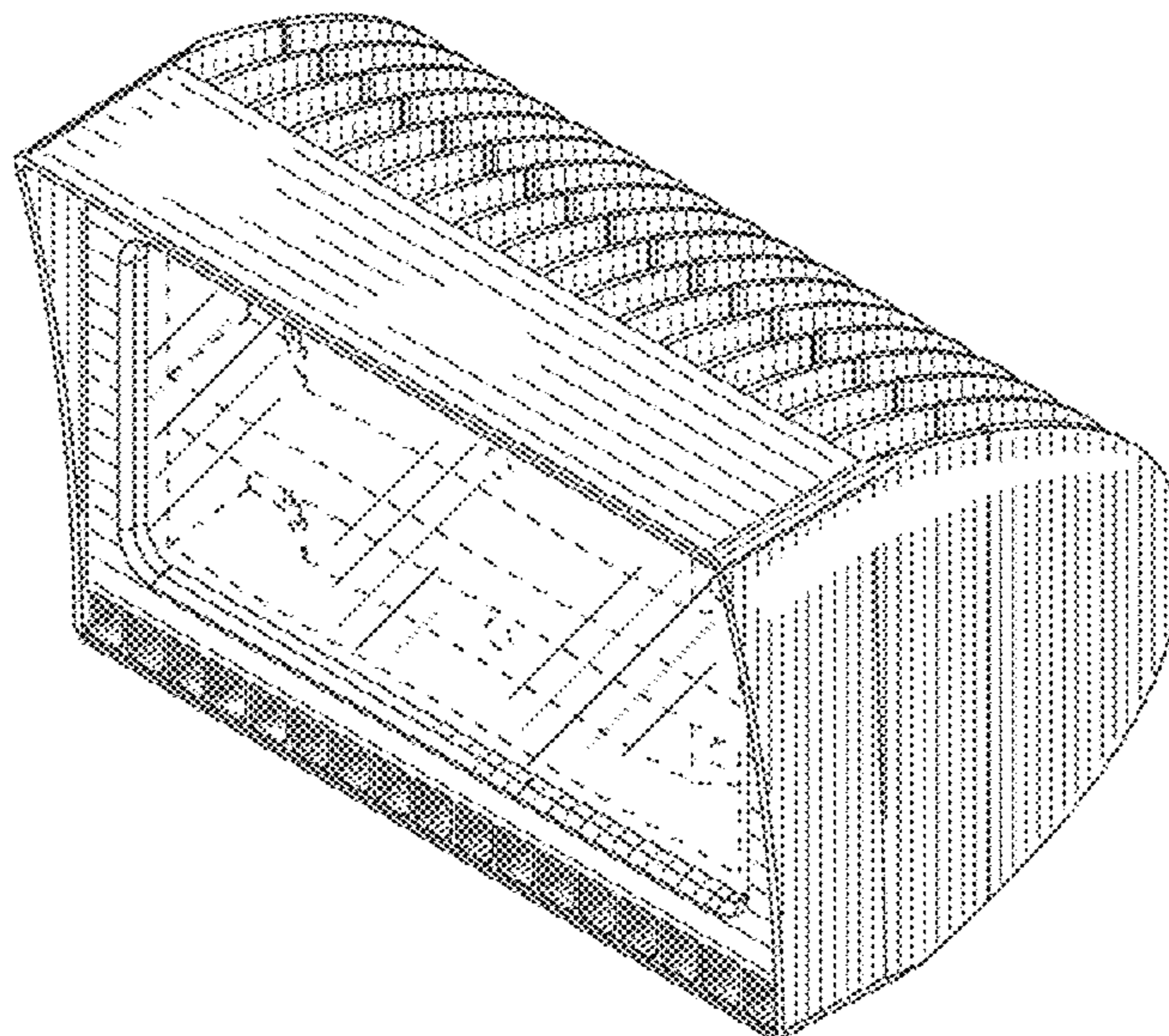
The ornamental design for a LED flood light, as shown and described.

DESCRIPTION

FIG. 1 is a top front perspective view of the new design;
FIG. 2 is a front view thereof;
FIG. 3 is a right side view thereof;
FIG. 4 is a left side view thereof;
FIG. 5 is a top view thereof;
FIG. 6 is a bottom view thereof;
FIG. 7 is a rear view thereof; and,
FIG. 8 is a top rear perspective view thereof.

The broken lines shown in the drawings are for the purpose of illustrating aspects that form no part of the claimed design.

1 Claim, 8 Drawing Sheets



US D659,280 S

Page 2

U.S. PATENT DOCUMENTS

D612,975 S *	3/2010	Guercio et al.	D26/85	D642,719 S *	8/2011	Lindholm et al.	D26/63
D618,374 S *	6/2010	Guercio	D26/63	D643,147 S *	8/2011	Guercio et al.	D26/118
D625,450 S *	10/2010	Rosenkrantz et al.	D26/61	D648,479 S *	11/2011	Herman	D26/118
D635,712 S *	4/2011	Leen	D26/118				

* cited by examiner

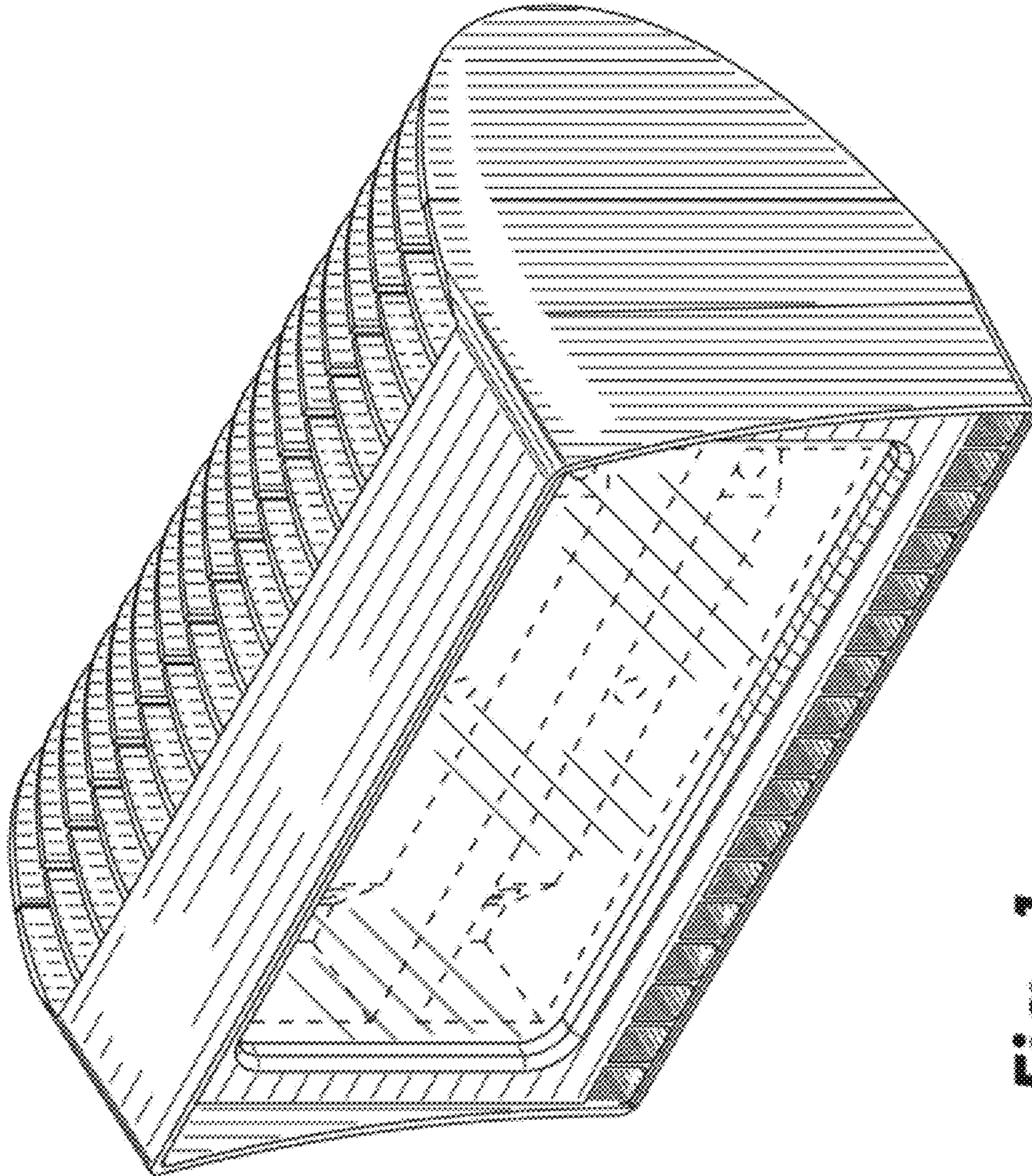


Fig. 1

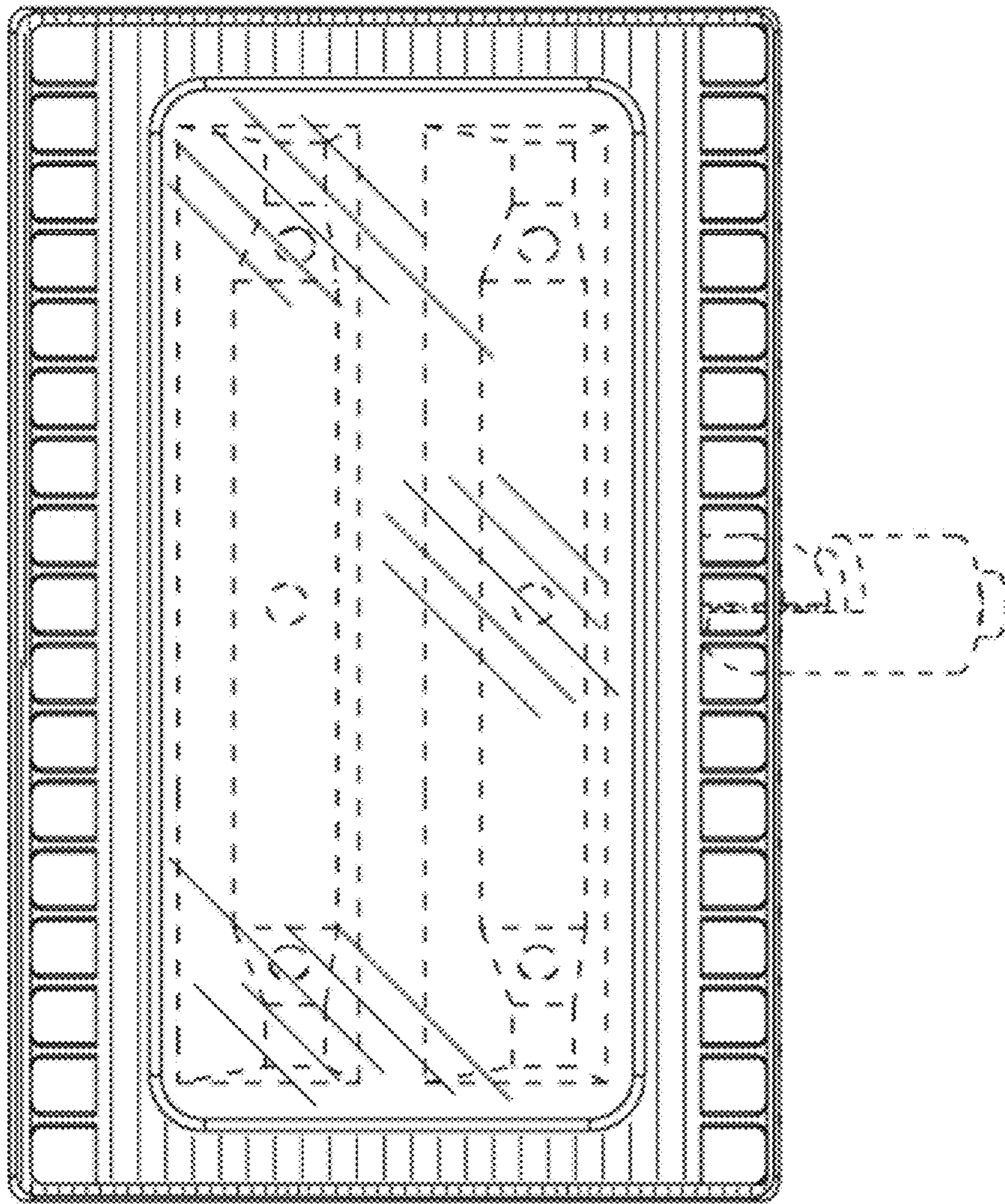


Fig. 2

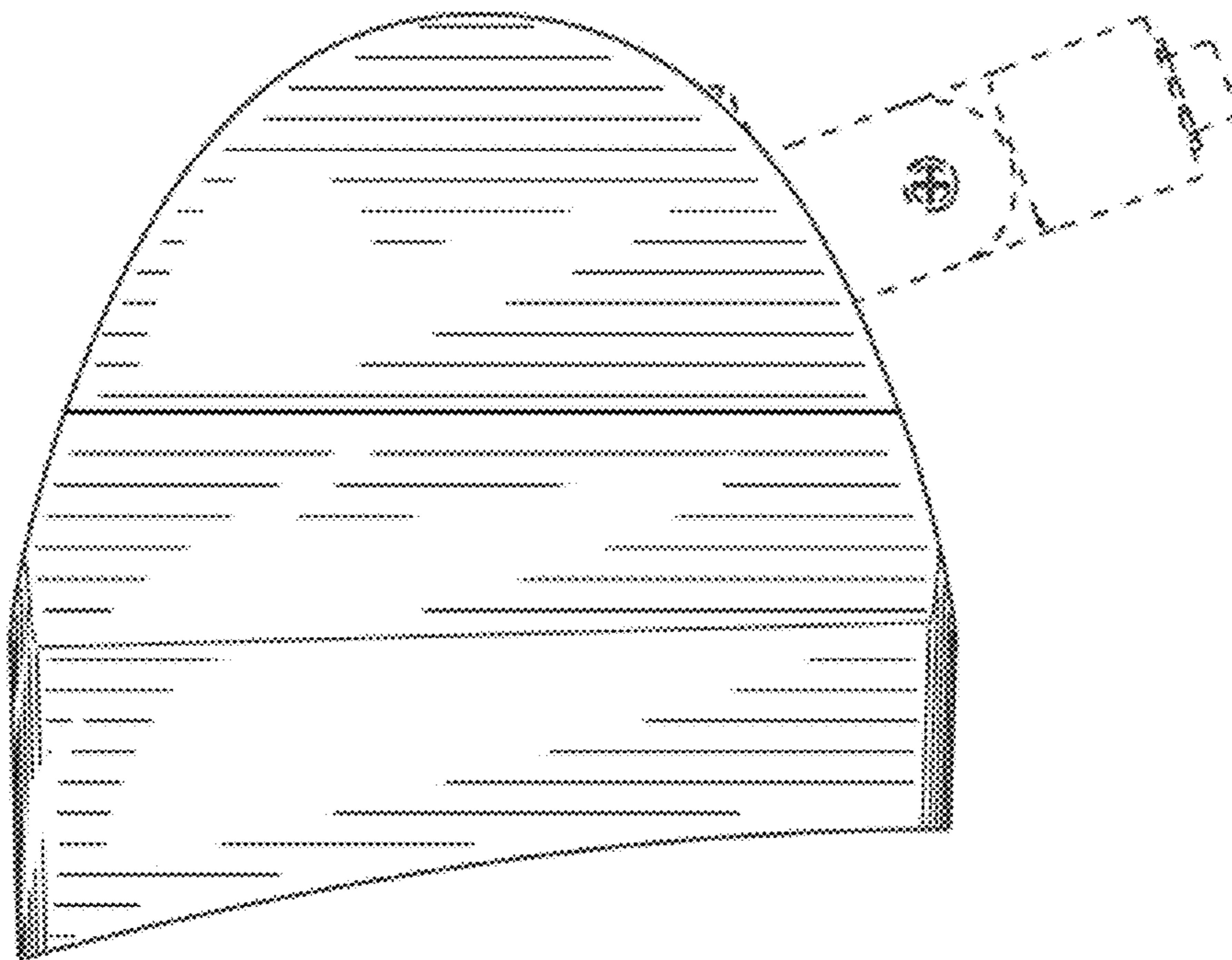


Fig. 3

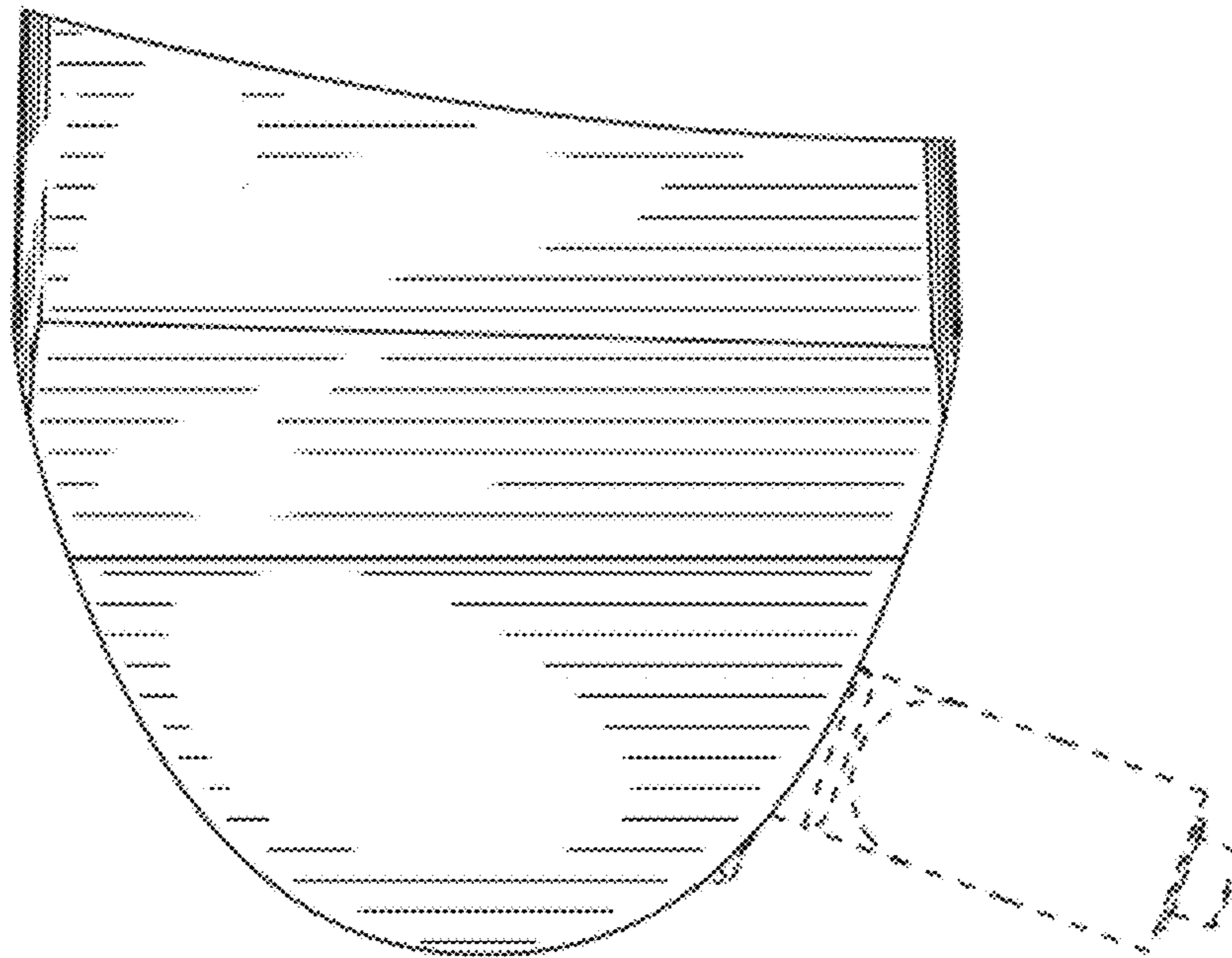


Fig. 4

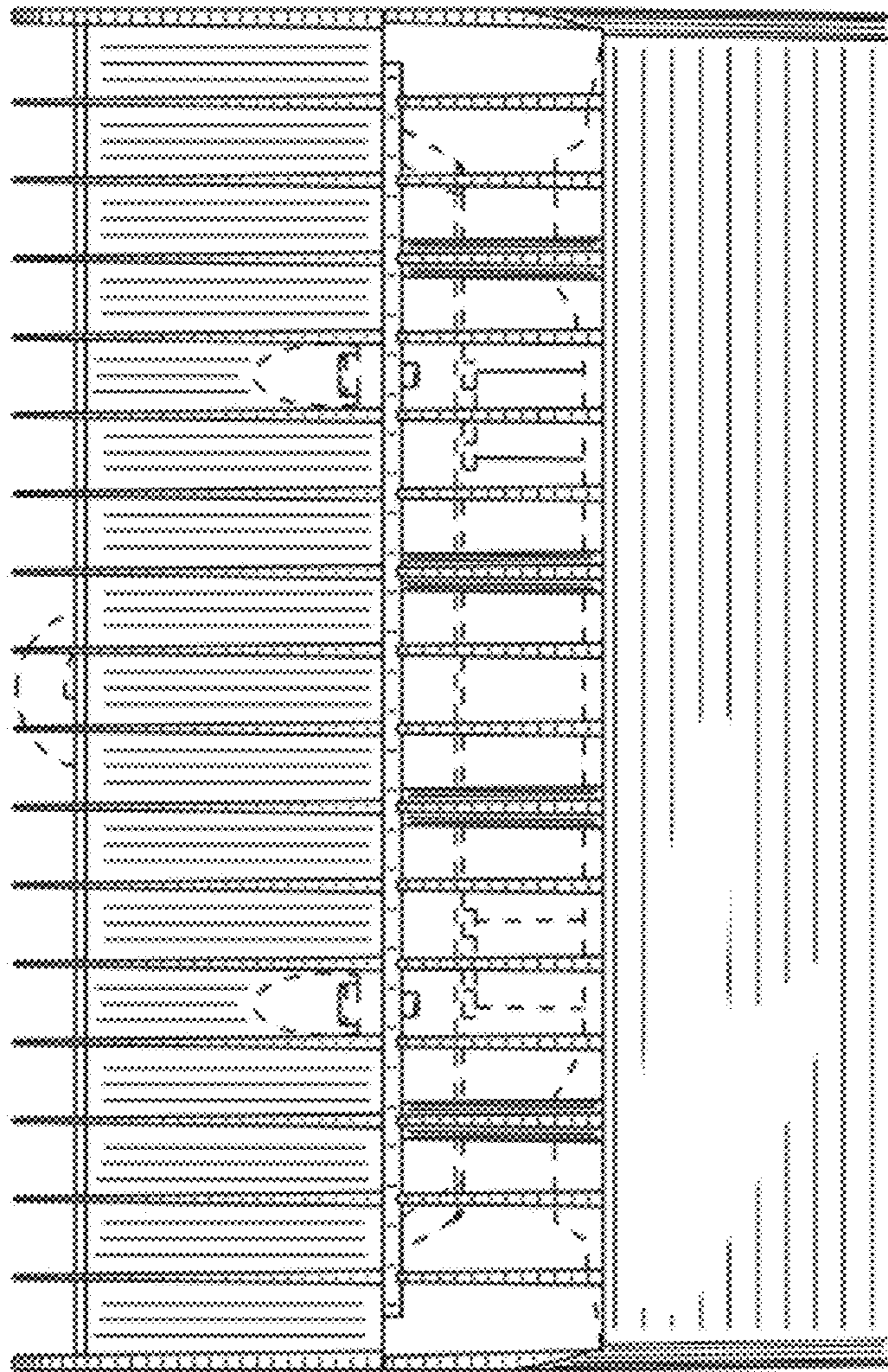


Fig. 5

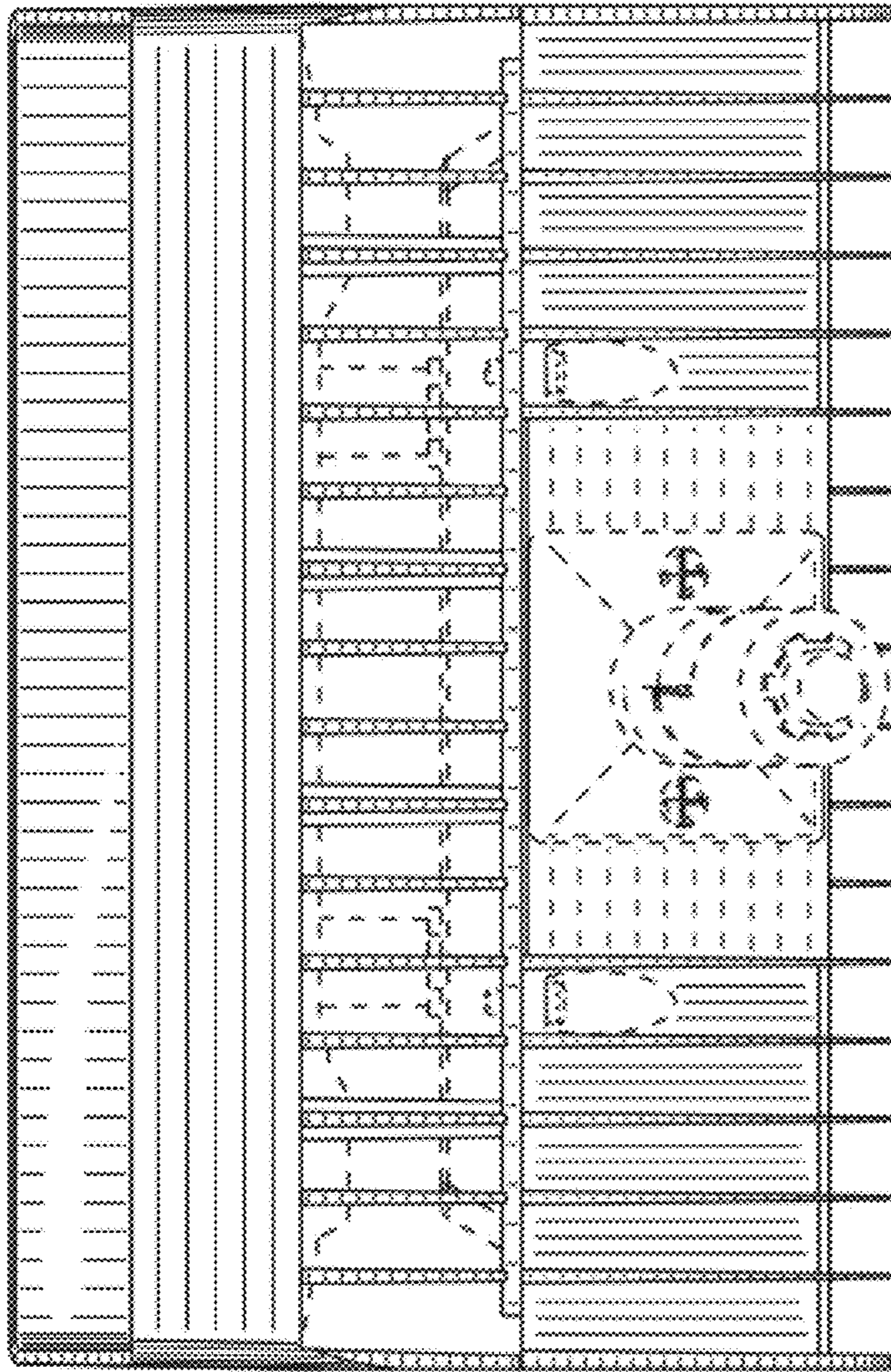


Fig. 6

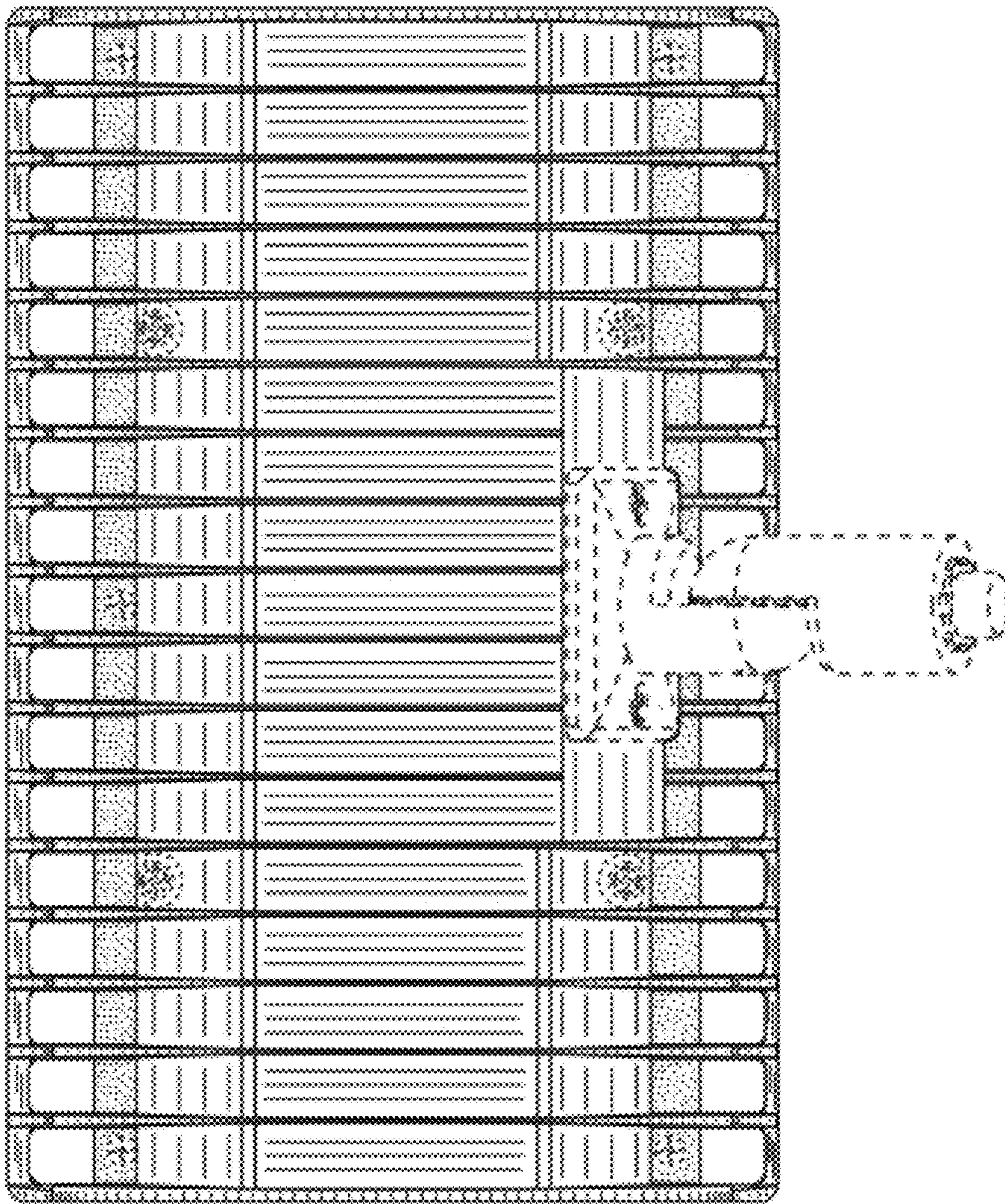


Fig. 7

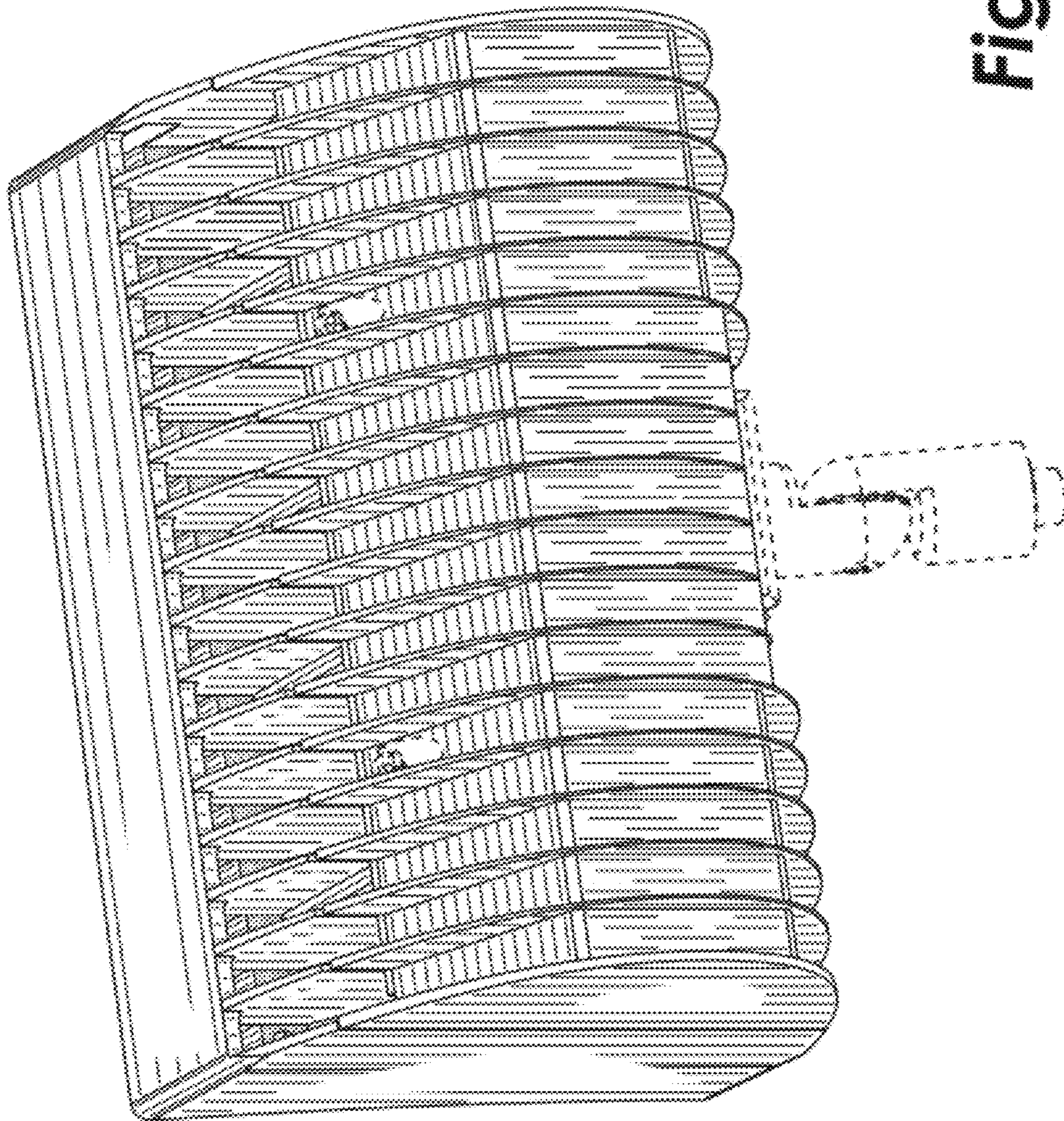


Fig. 8