



US00D659279S

(12) **United States Design Patent**
Allan et al.

(10) **Patent No.:** **US D659,279 S**
(45) **Date of Patent:** **** May 8, 2012**

(54) **REFLECTOR UNIT**

(75) Inventors: **Ross Graeme Allan**, Boksburg (ZA);
France Dominique Jean-Pierre
Regnard, Boksburg (ZA); **Yusuf**
Noordin, Centurion (ZA); **Osman**
Moosa, Centurion (ZA)

(73) Assignee: **Neosho Trading 15 (Pty) Limited**,
Pretoria (ZA)

(**) Term: **14 Years**

(21) Appl. No.: **29/396,469**

(22) Filed: **Jun. 30, 2011**

(30) **Foreign Application Priority Data**

Feb. 28, 2011 (ZA) F2011/00285

(51) **LOC (9) Cl.** **26-99**

(52) **U.S. Cl.** **D26/113**

(58) **Field of Classification Search** 40/617,
40/553, 592; D16/101; D13/179, 180; D9/457;
D12/400; D8/354, 382; D10/11; D11/79,
D11/129, 125, 128, 126, 127, 124, 121, 122,
D11/123; D30/133; D6/462, 403; D20/41,
D20/42, 10; D25/100, 106; 362/343, 362,
362/246, 260, 256, 223, 125, 565, 647, 350,
362/102; D26/96, 95, 91, 92, 93, 28, 26,
D26/27, 144, 131, 94, 126, 24, 25, 140, 141,
D26/142, 143, 71, 72, 73, 74, 75, 76, 77,
D26/78, 79, 81, 113, 118, 119, 120, 121,
D26/122, 39, 138, 135, 139, 145, 155, 154,
D26/63, 64, 65, 66, 67, 68, 84, 85, 83, 82,
D26/1, 2, 3, 86, 88, 132, 133, 134, 60, 61,
D26/62, 123, 124, 125

See application file for complete search history.

(56) **References Cited**

U.S. PATENT DOCUMENTS

D147,093	S	*	7/1947	Vorsanger	D26/83
D201,199	S	*	5/1965	Van Steenhoven	D26/85
D233,468	S	*	10/1974	Shemitz	D26/75
4,028,542	A	*	6/1977	McReynolds, Jr.	362/297
4,409,646	A	*	10/1983	Baliozian	362/319
D272,193	S	*	1/1984	Sangiamo	D26/85
D272,475	S	*	1/1984	Yahraus	D26/24
4,462,068	A	*	7/1984	Shadwick	362/332
4,559,587	A	*	12/1985	Quiogue et al.	362/147
D307,328	S	*	4/1990	Roulstone	D26/85
D309,791	S	*	8/1990	Boccatto et al.	D26/85
D357,997	S	*	5/1995	Wegrzyn et al.	D26/85
D380,402	S	*	7/1997	Binder, Sr.	D10/111
5,651,602	A	*	7/1997	Tawil et al.	362/18
5,970,597	A	*	10/1999	Bedzyk et al.	29/464
D435,307	S	*	12/2000	Sandell	D26/67
D440,683	S	*	4/2001	Guercio	D26/85
6,247,833	B1	*	6/2001	Neustadt	362/370
6,464,378	B1	*	10/2002	Reed et al.	362/320
D490,925	S	*	6/2004	Wilmotte	D26/63
D547,484	S	*	7/2007	Guercio	D26/89
D569,029	S	*	5/2008	Guercio	D26/85
7,434,966	B2	*	10/2008	Finn	362/352
D590,088	S	*	4/2009	Dworschak	D26/85
D595,448	S	*	6/2009	Sabernig	D26/88
D641,646	S	*	7/2011	Iverson	D10/111
D643,968	S	*	8/2011	Sprengers	D26/89

* cited by examiner

Primary Examiner — Kevin Rudzinski
(74) *Attorney, Agent, or Firm* — Ladas & Parry LLP

(57) **CLAIM**

We claim the ornamental design for a reflector unit, as shown.

DESCRIPTION

FIG. 1 is a perspective view of a reflector unit showing our new design;
FIG. 2 is a top plan view thereof;
FIG. 3 is a bottom plan view thereof;
FIG. 4 is a right-side view thereof;
FIG. 5 is a left-side view thereof;
FIG. 6 is a front view thereof; and,
FIG. 7 is a rear view thereof.

1 Claim, 4 Drawing Sheets

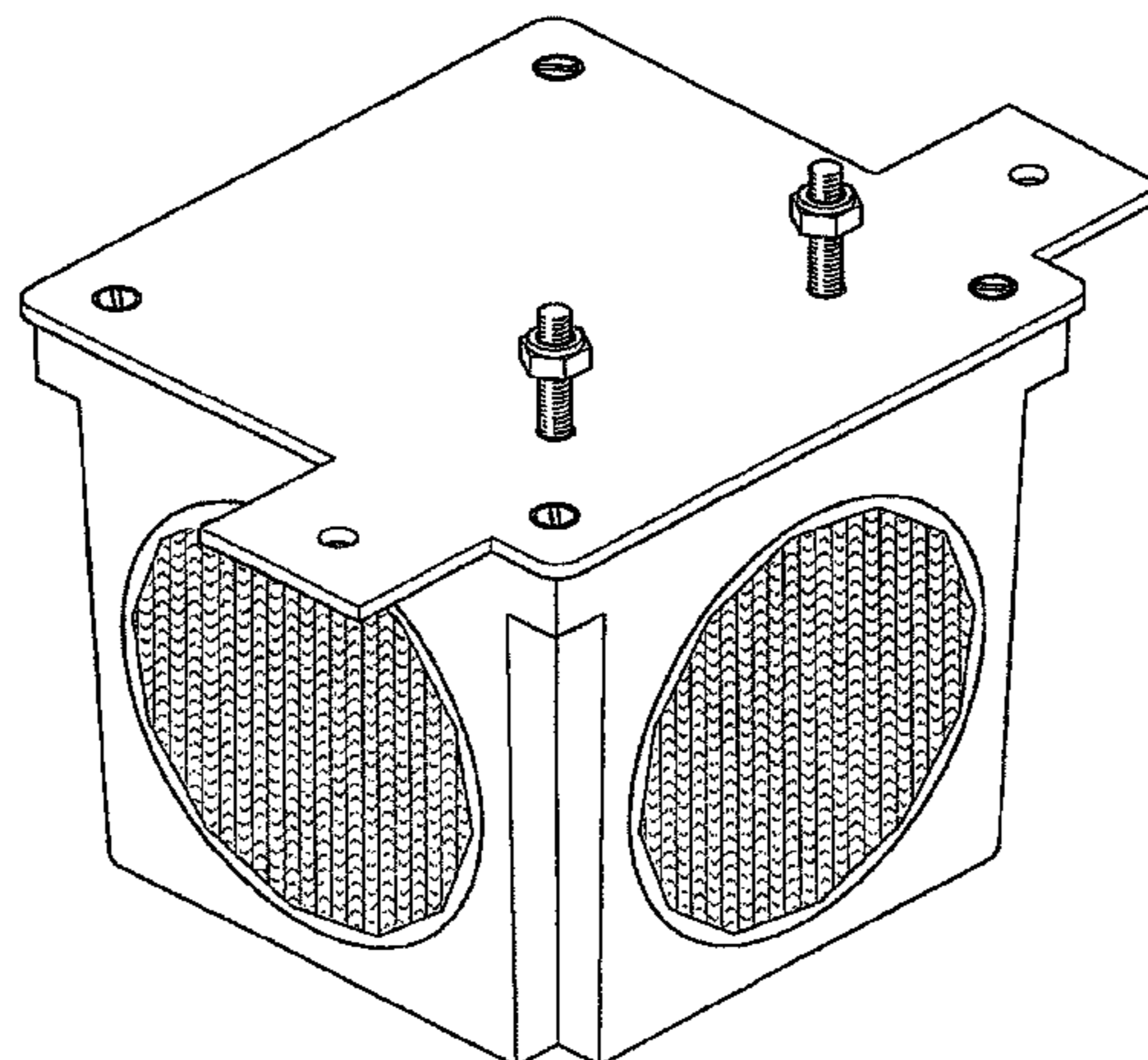


FIG. 1

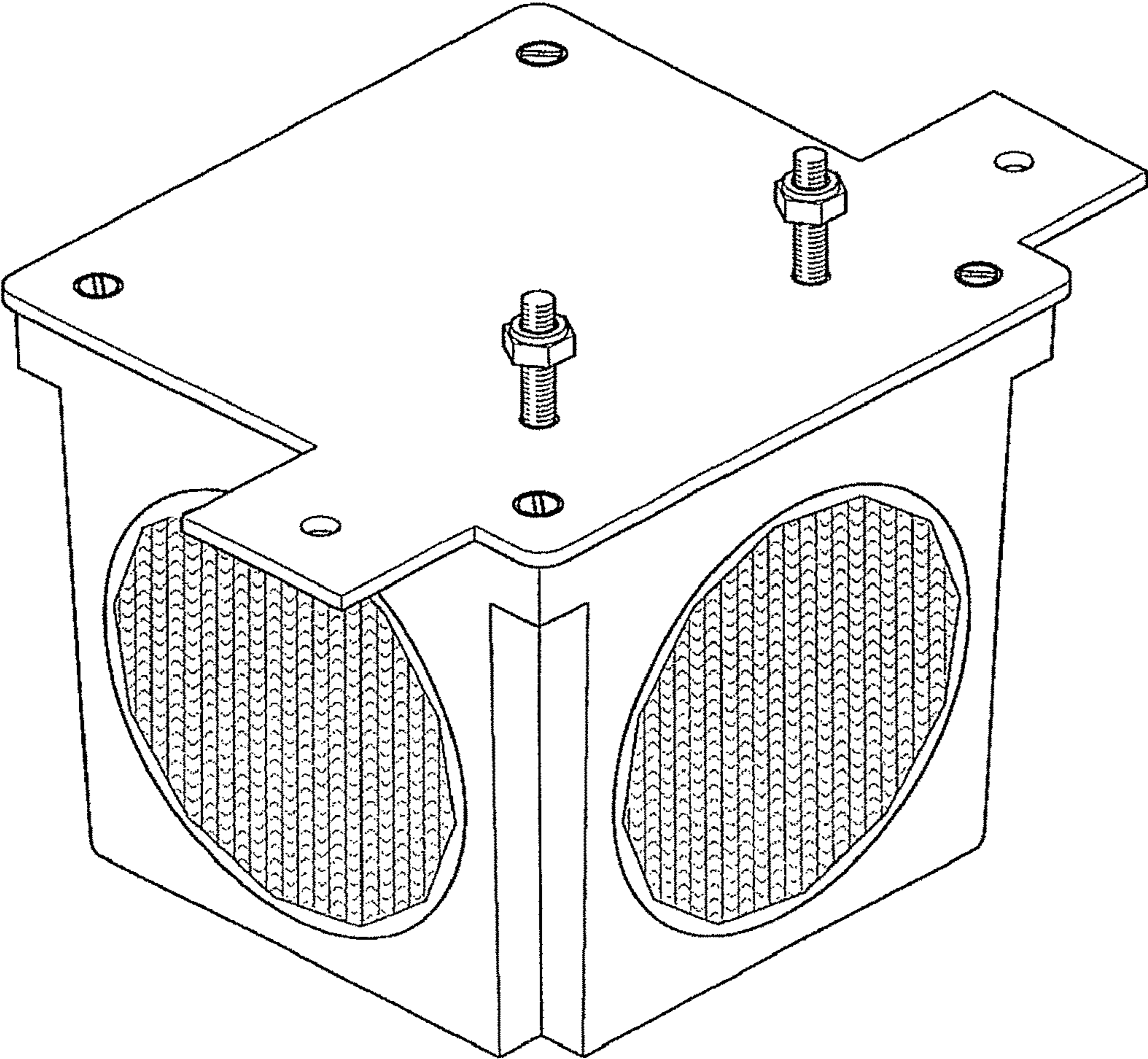


FIG. 2

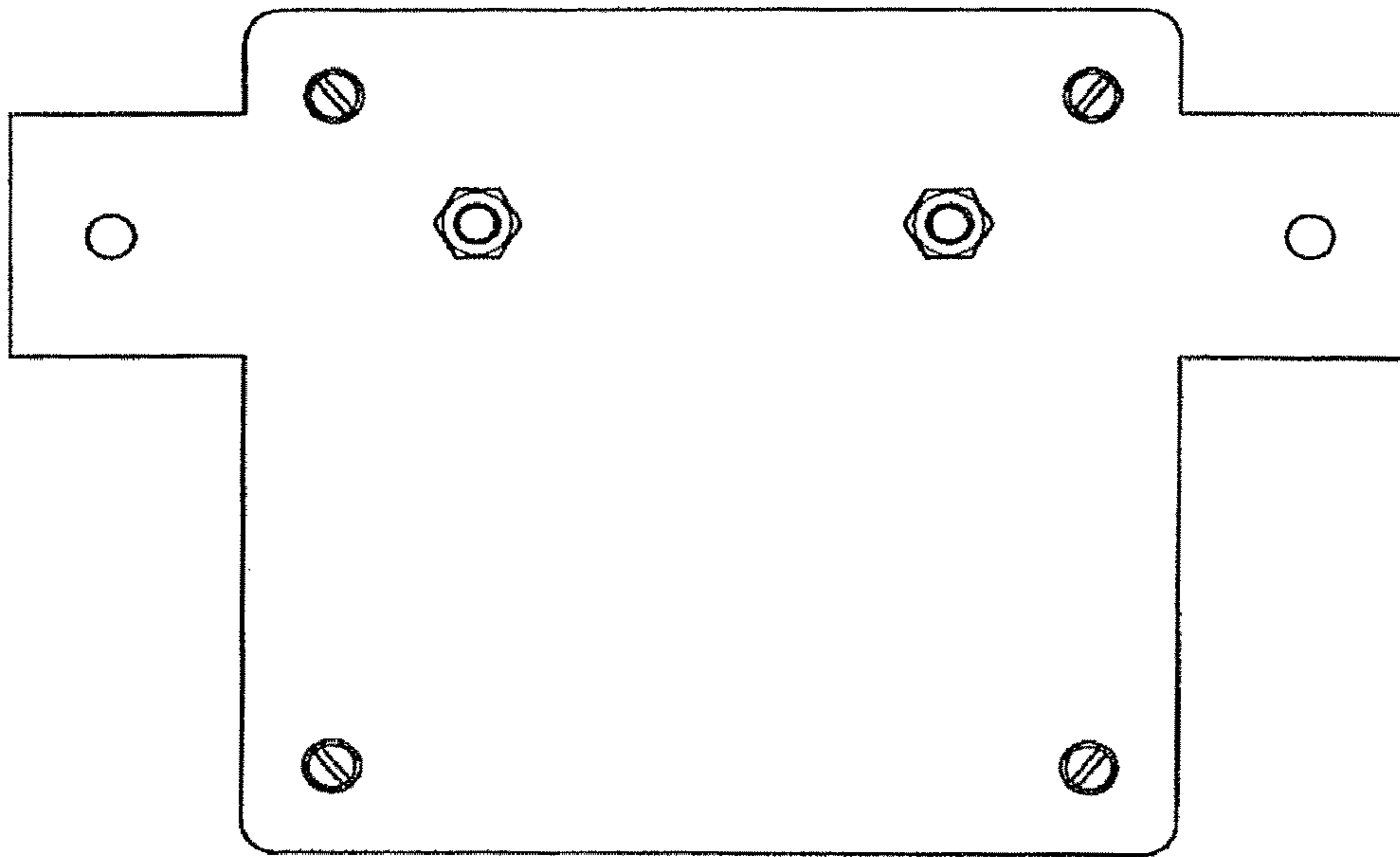


FIG. 3

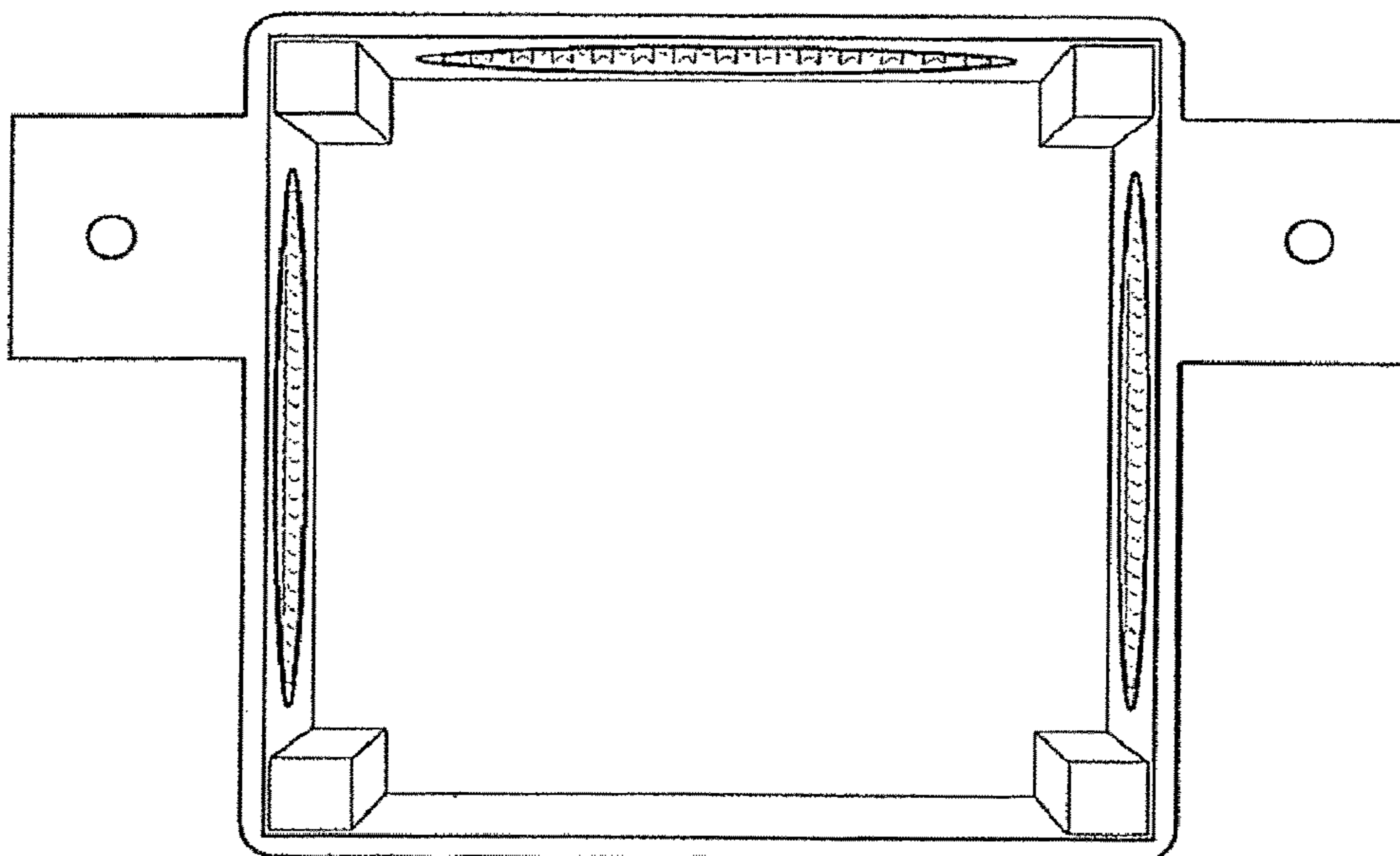


FIG. 4

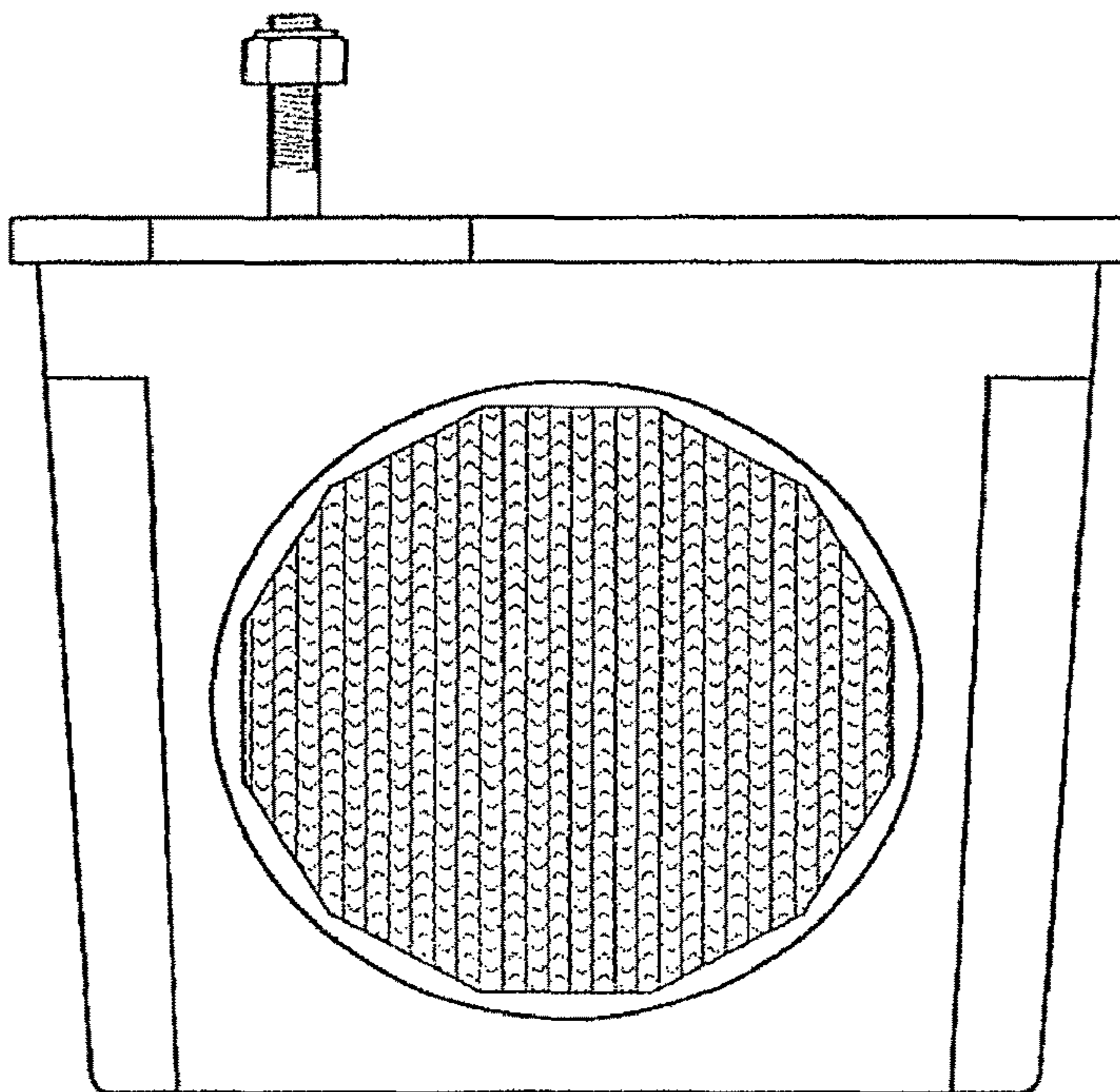


FIG. 5

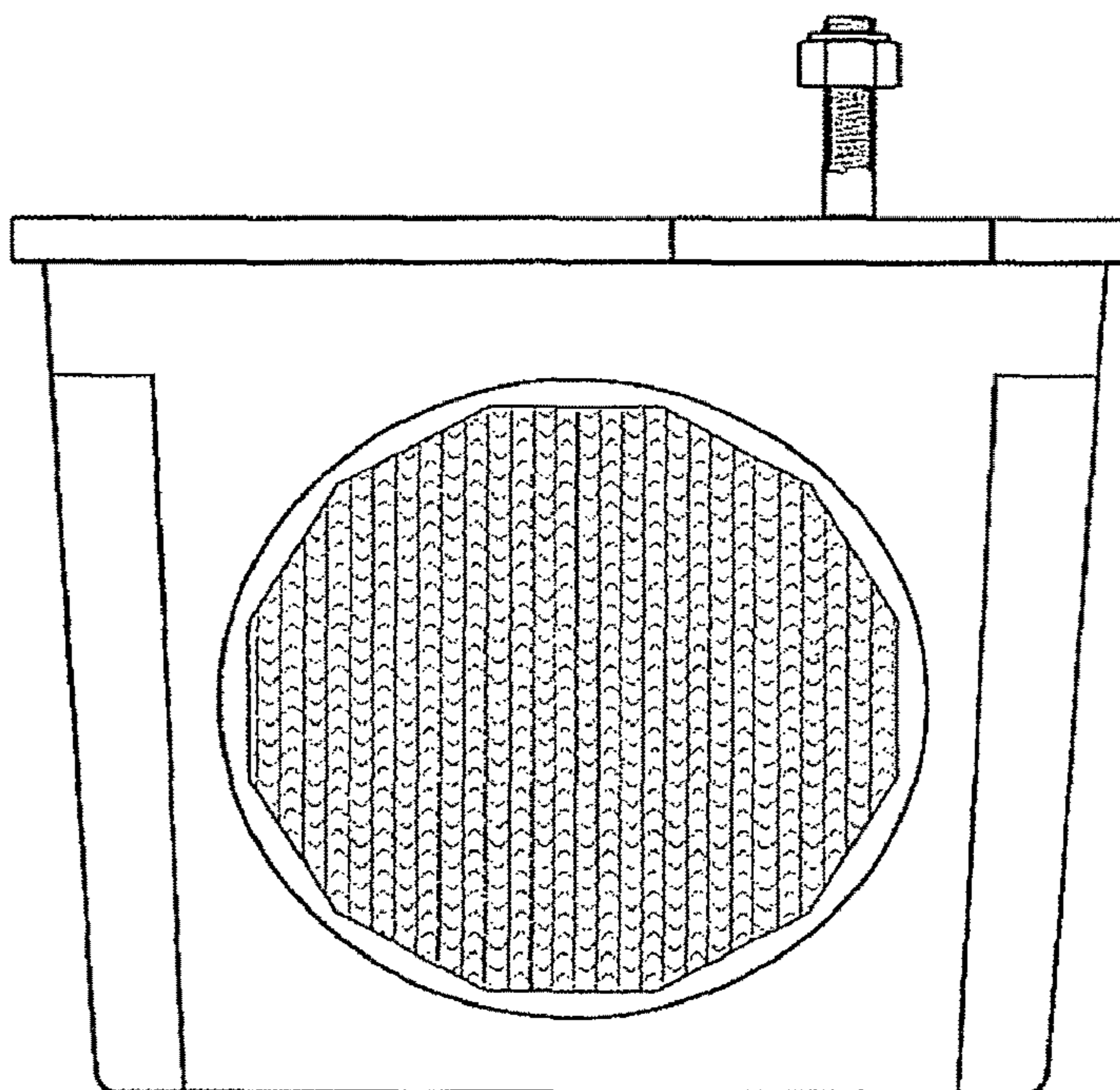


FIG. 6

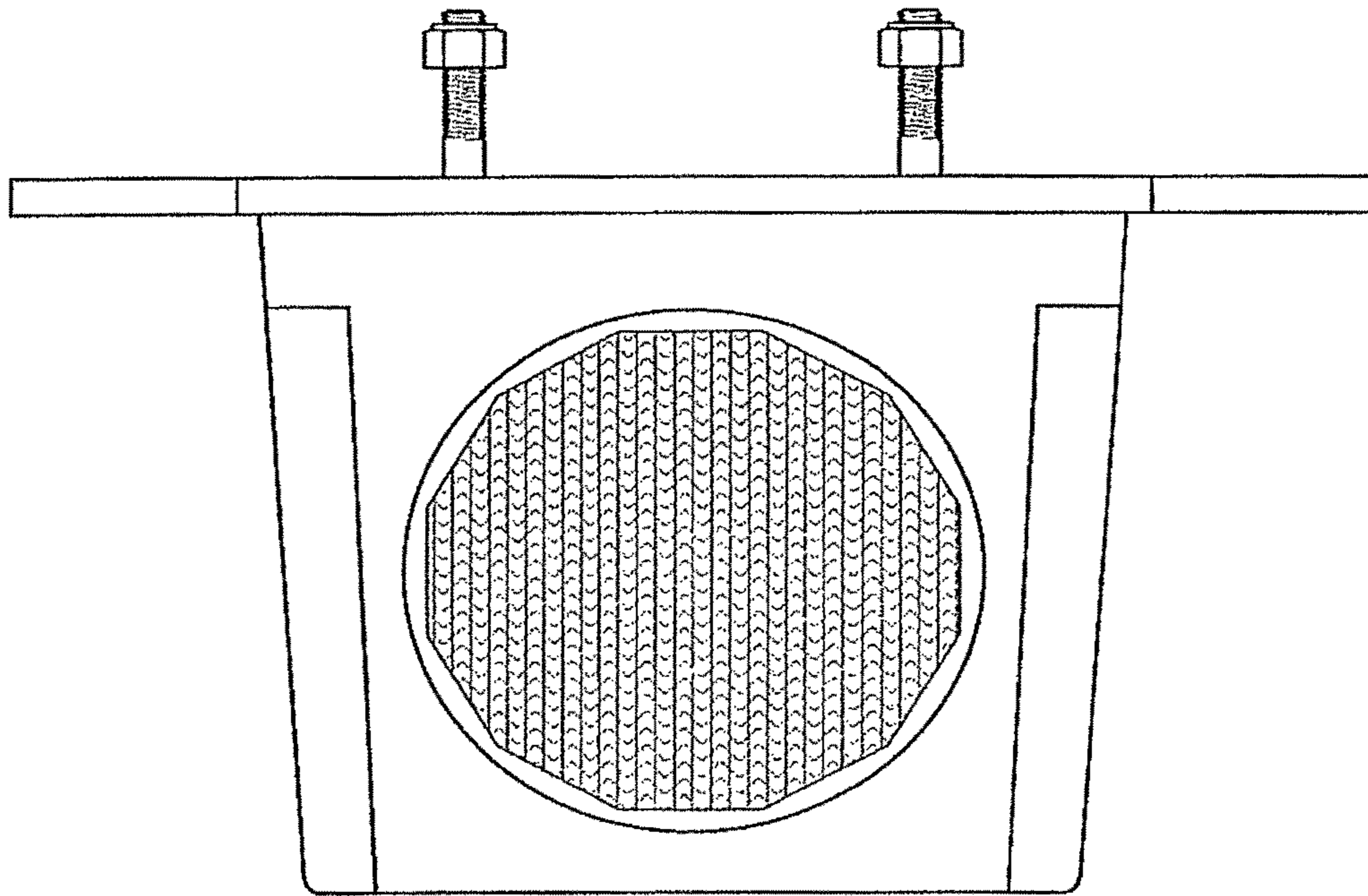


FIG. 7

