



US00D659275S

(12) **United States Design Patent**
Pelken

(10) **Patent No.:** **US D659,275 S**

(45) **Date of Patent:** **** May 8, 2012**

(54) **STREET LIGHT**

(75) Inventor: **Paul Michael Pelken**, Syracuse, NY
(US)

(73) Assignee: **Syracuse University**, Syracuse, NY
(US)

(**) Term: **14 Years**

(21) Appl. No.: **29/394,581**

(22) Filed: **Jun. 18, 2011**

(51) **LOC (9) Cl.** **26-05**

(52) **U.S. Cl.** **D26/71; D26/68**

(58) **Field of Classification Search** D26/67-71,
D26/92; 362/102, 120, 183, 249.02, 431
See application file for complete search history.

(56) **References Cited**

U.S. PATENT DOCUMENTS

| | | | |
|---------------|---------|----------------------|---------|
| D47,218 S * | 4/1915 | Bouchery | D26/67 |
| D195,991 S * | 8/1963 | Pettengill | D26/71 |
| D196,981 S * | 11/1963 | Pettengill | D26/67 |
| D197,381 S * | 1/1964 | Muller | D26/67 |
| D198,639 S * | 7/1964 | Atkin | D26/67 |
| D218,985 S * | 10/1970 | Anderson, Jr. | D26/67 |
| 3,721,516 A * | 3/1973 | Reese | 431/202 |
| D227,925 S * | 7/1973 | Husby | D26/67 |
| D239,860 S * | 5/1976 | Scarpa | D26/67 |
| 5,134,550 A * | 7/1992 | Young | 362/560 |
| D338,080 S * | 8/1993 | Elazari | D26/68 |
| D341,221 S * | 11/1993 | Elazari | D26/68 |
| D445,523 S * | 7/2001 | Skradski et al. | D26/68 |
| D450,150 S * | 11/2001 | Skradski et al. | D26/68 |
| D529,218 S * | 9/2006 | Wen | D26/68 |

| | | | |
|--------------|---------|-----------------|--------|
| D529,652 S * | 10/2006 | Hon et al. | D26/67 |
| D541,967 S * | 5/2007 | Rahir | D26/67 |
| D551,790 S * | 9/2007 | Richmond | D26/67 |
| D554,792 S * | 11/2007 | Sanoner | D26/68 |
| D556,933 S * | 12/2007 | Sanoner | D26/68 |
| D571,496 S * | 6/2008 | Lenz | D26/68 |
| D574,535 S * | 8/2008 | Sanoner | D26/67 |
| D625,037 S * | 10/2010 | Liang | D26/68 |

OTHER PUBLICATIONS

Sustainable City Light designed for the Phillips Simplicity Event in 2008. Found online at Inhabitat.com, visited May 12, 2010.*

* cited by examiner

Primary Examiner — Clare E Heflin

(74) *Attorney, Agent, or Firm* — David L. Nocilly; Bond Schoeneck & King

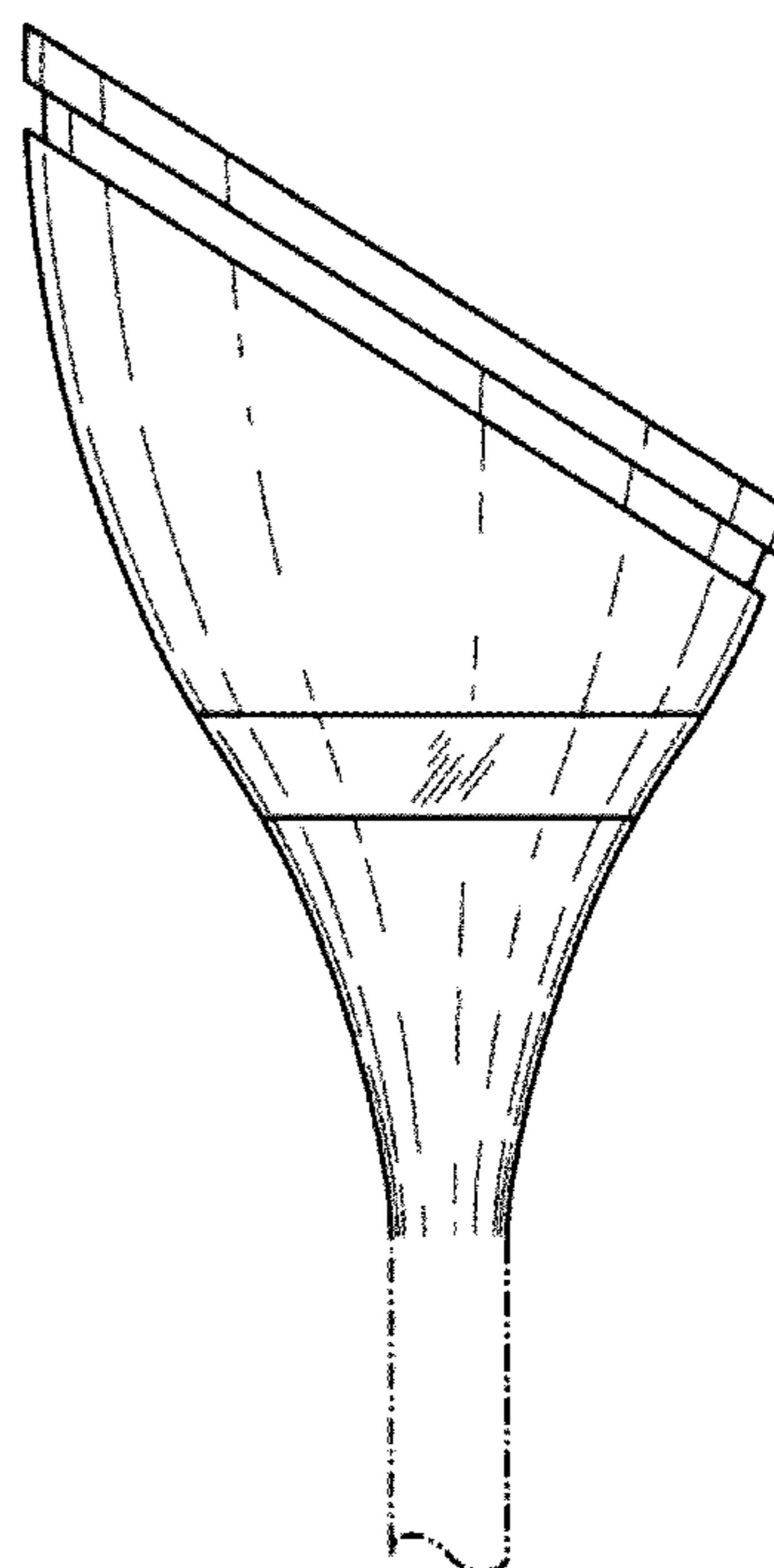
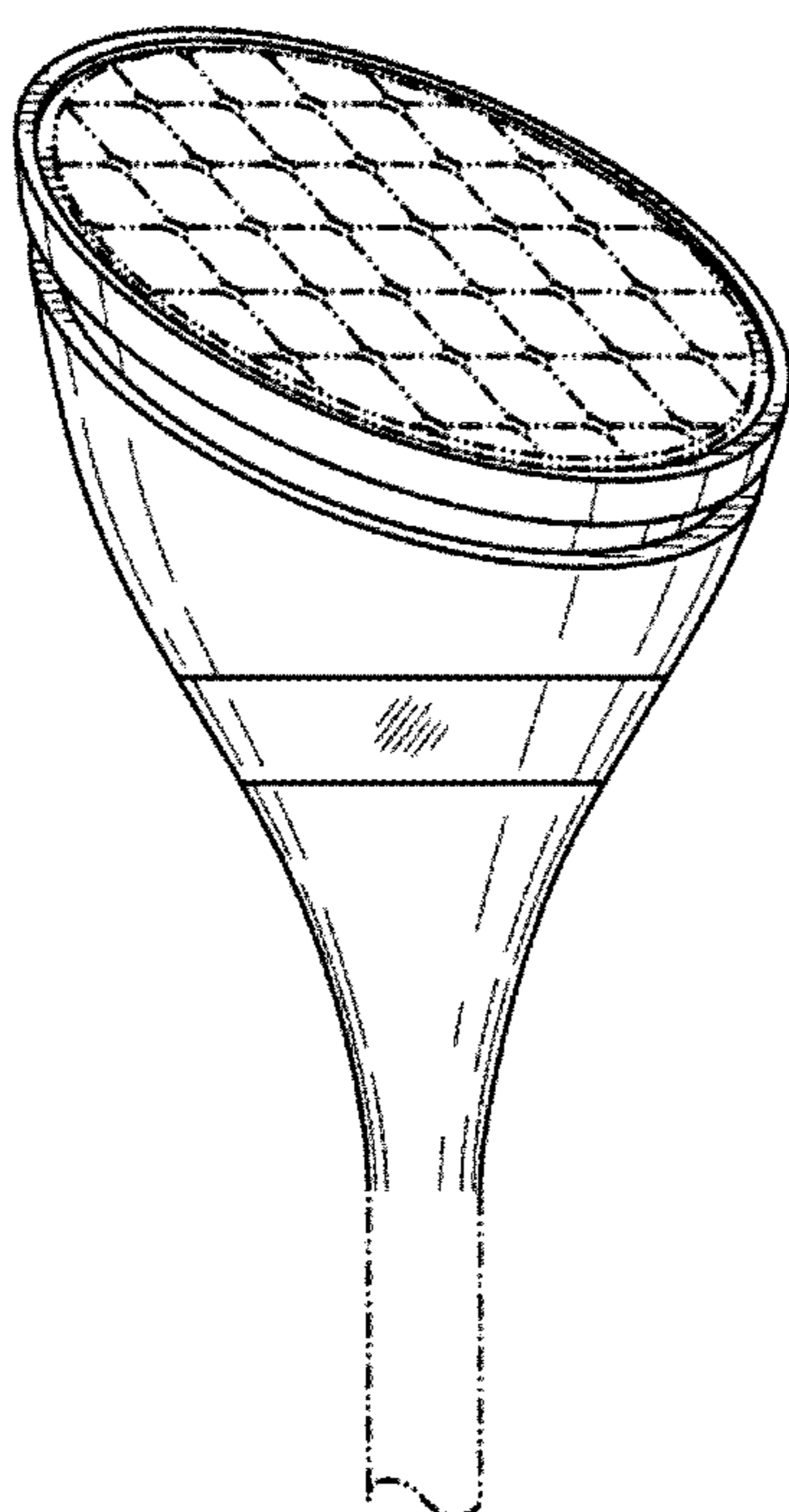
(57) **CLAIM**

The ornamental design for a street light, as shown and described.

DESCRIPTION

FIG. 1 is a perspective view of a new and ornamental design for a street light with portions shown in phantom for environment only and forming no part of the claimed invention; FIG. 2 is a left side elevation view thereof; FIG. 3 is a top plan view thereof; FIG. 4 is a front elevation view thereof; FIG. 5 is a back elevation view thereof; and, FIG. 6 is a bottom plan view thereof.

1 Claim, 2 Drawing Sheets



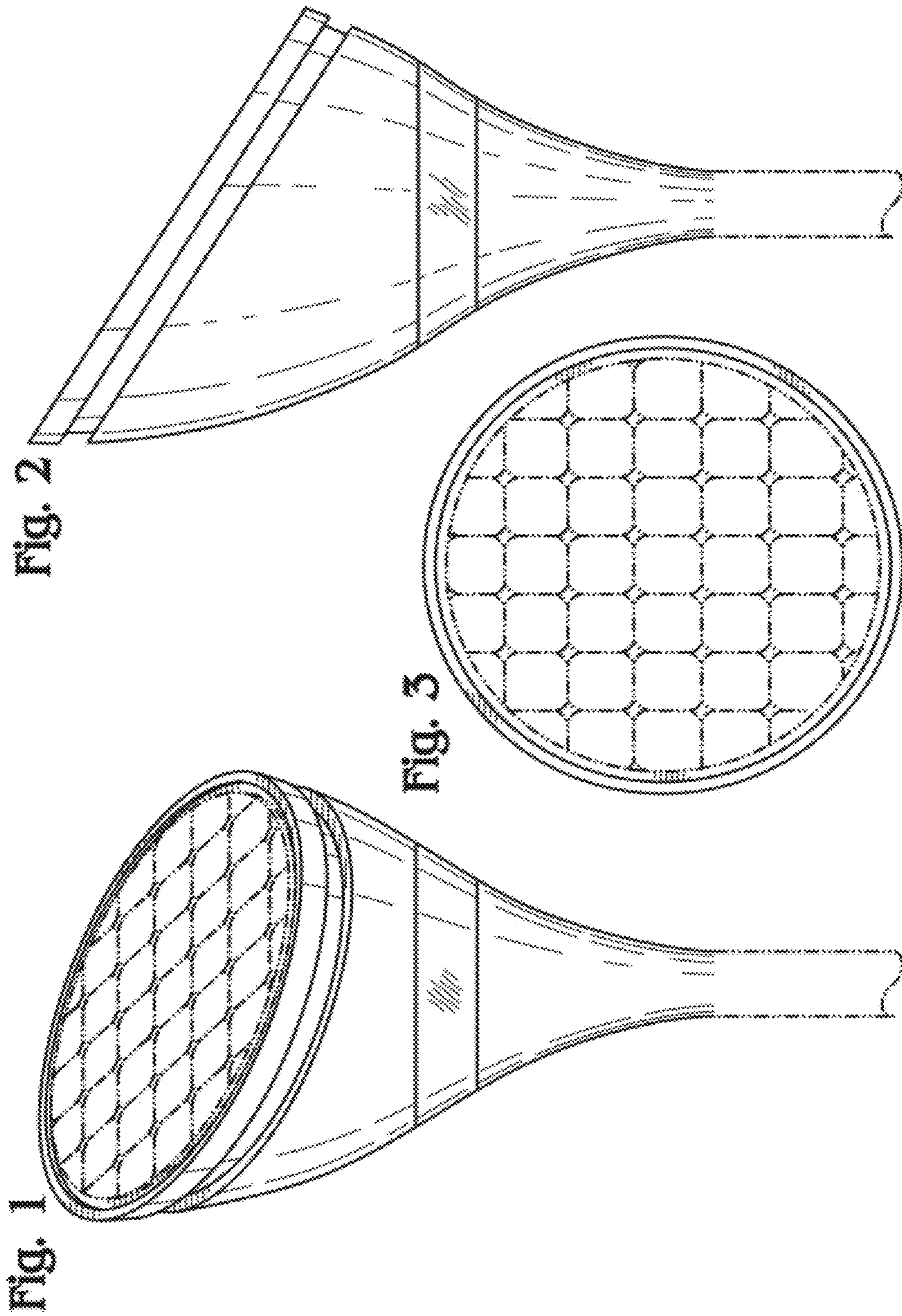


Fig. 2

Fig. 3

Fig. 1

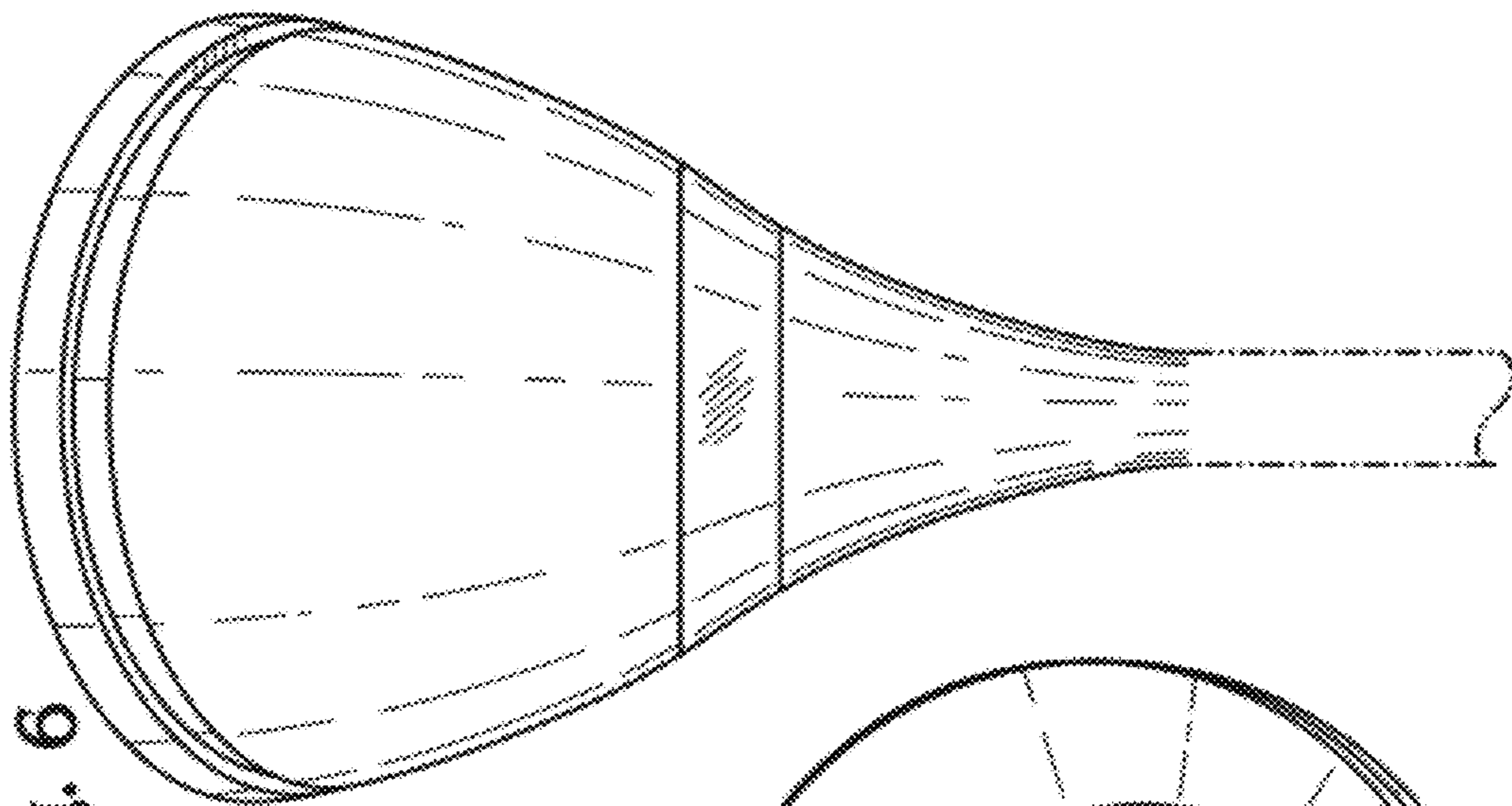


Fig. 6

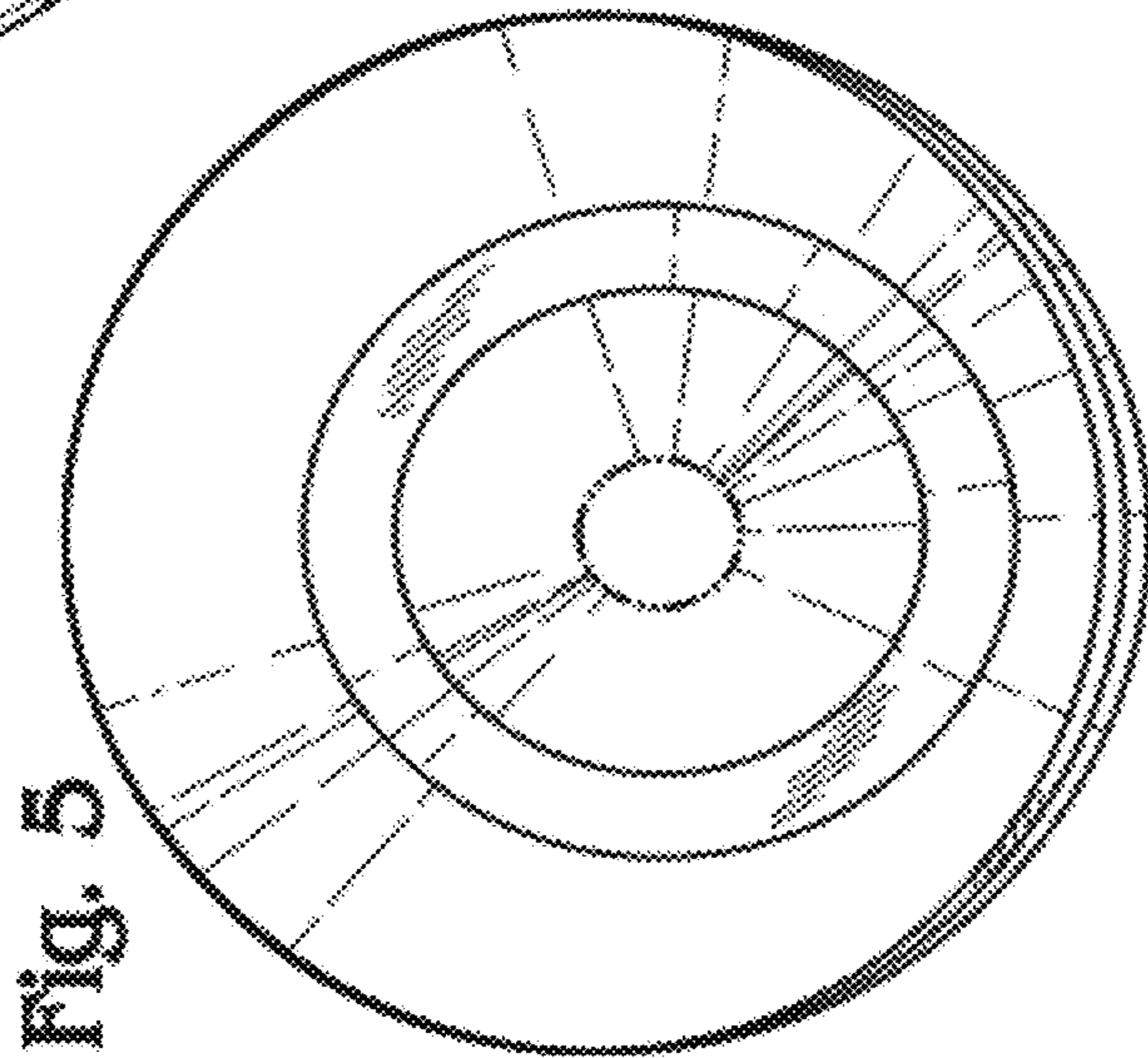


Fig. 5

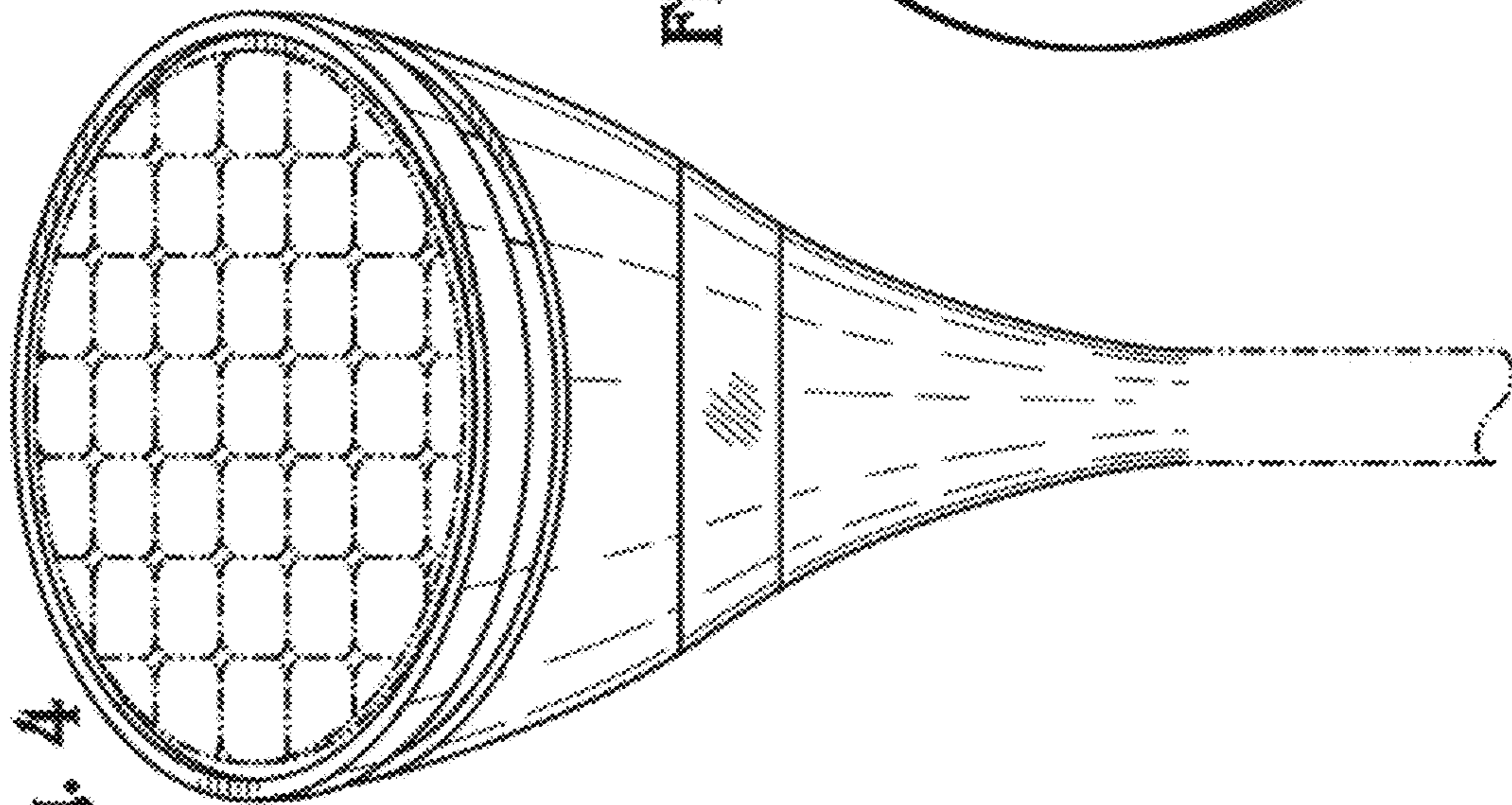


Fig. 4