



US00D659274S

(12) **United States Design Patent**
Valcárcel

(10) **Patent No.:** **US D659,274 S**

(45) **Date of Patent:** **** May 8, 2012**

(54) **LAMP**

(75) **Inventor:** **Gonzalo Milà Valcárcel**, Barcelona (ES)

(73) **Assignee:** **Santa & Cole Neoseries S.L.**, Barcelona (ES)

(**) **Term:** **14 Years**

(21) **Appl. No.:** **29/371,378**

(22) **Filed:** **Jan. 24, 2011**

(30) **Foreign Application Priority Data**

Jul. 24, 2010 (EM) 001735762-2009

(51) **LOC (9) Cl.** **26-05**

(52) **U.S. Cl.** **D26/71**

(58) **Field of Classification Search** D26/67-71,
D26/92; 362/102, 120, 183, 431

See application file for complete search history.

(56) **References Cited**

U.S. PATENT DOCUMENTS

D171,952	S	*	4/1954	Pettengill	D26/71
D177,916	S	*	6/1956	Keck et al.	D26/145
D186,130	S	*	9/1959	Izzi et al.	D26/71
D201,826	S	*	8/1965	Deskey et al.	D26/68
D204,618	S	*	5/1966	Rutter	D26/71
D236,909	S	*	9/1975	Richilano	D26/68
D251,930	S	*	5/1979	Didone	D26/68
D266,958	S	*	11/1982	Gernhardt	D26/92
D329,098	S	*	9/1992	Lu	D26/62
5,448,459	A	*	9/1995	Rogers	362/191
D527,134	S	*	8/2006	Bagen	D26/71

D615,229	S	*	5/2010	van Klinken	D26/63
D629,552	S	*	12/2010	Zhang	D26/71
638,565	A1		5/2011	Bembridge		

OTHER PUBLICATIONS

U.S. Appl. No. 29/371,377, filed Jan. 24, 2011, Gonzalo Mila Valcarcel, Santa & Cole Neoseries S.L.
Notice of Allowance mailed Jan. 17, 2012 in co-pending U.S. Appl. No. 29/371,377.

* cited by examiner

Primary Examiner — Clare E Heflin

(74) *Attorney, Agent, or Firm* — Staas & Halsey LLP

(57) **CLAIM**

The ornamental design for a lamp, as shown and described.

DESCRIPTION

FIG. 1 is a top perspective view of the lamp showing my design;

FIG. 2 is a bottom perspective view thereof;

FIG. 3 is a top view thereof;

FIG. 4 is a bottom view thereof;

FIG. 5 is a left side view, the right side being identical;

FIG. 6 is a front view;

FIG. 7 is a rear view;

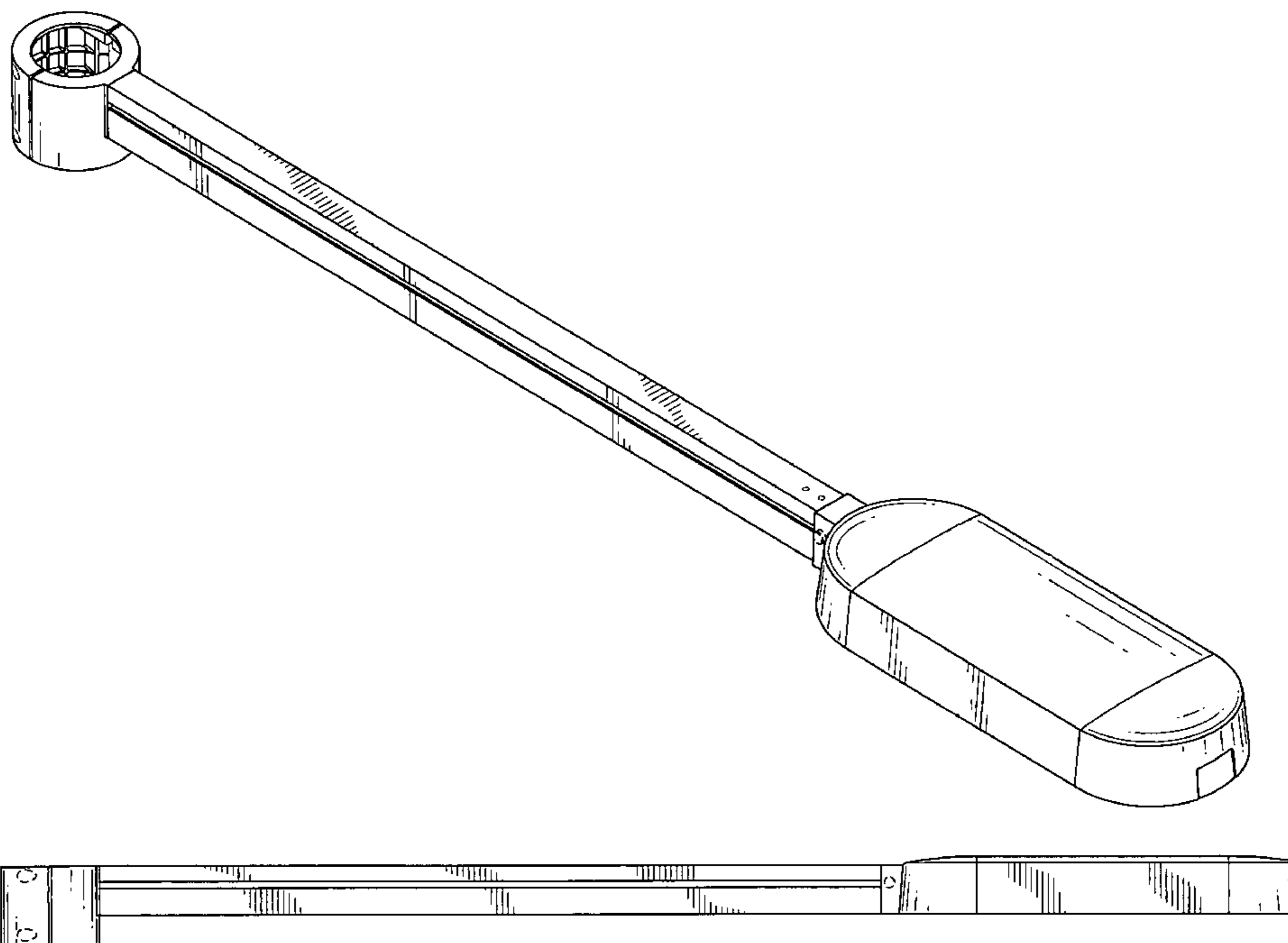
FIG. 8 is an enlarged fragmentary view thereof, showing the right end portion of the lamp as seen in FIG. 5;

FIG. 9 is an enlarged fragmentary view thereof, showing a portion of the lamp as seen in FIG. 1; and,

FIG. 10 is an enlarged fragmentary view thereof, showing the left end portion of the lamp as seen in FIG. 5.

The broken lines are for the purpose of illustrating portions of the lamp and form no part of the claimed design.

1 Claim, 10 Drawing Sheets



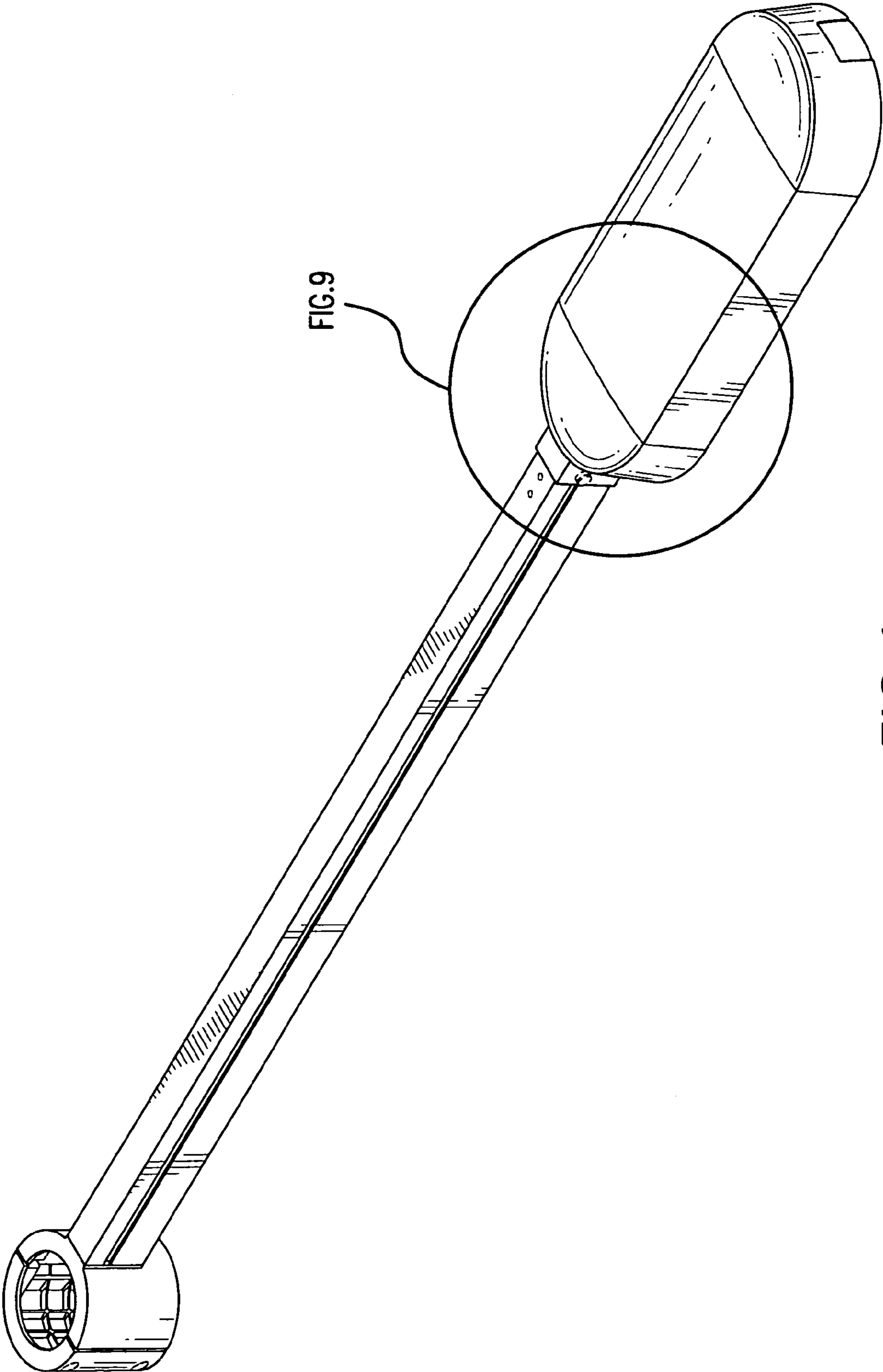


FIG.1

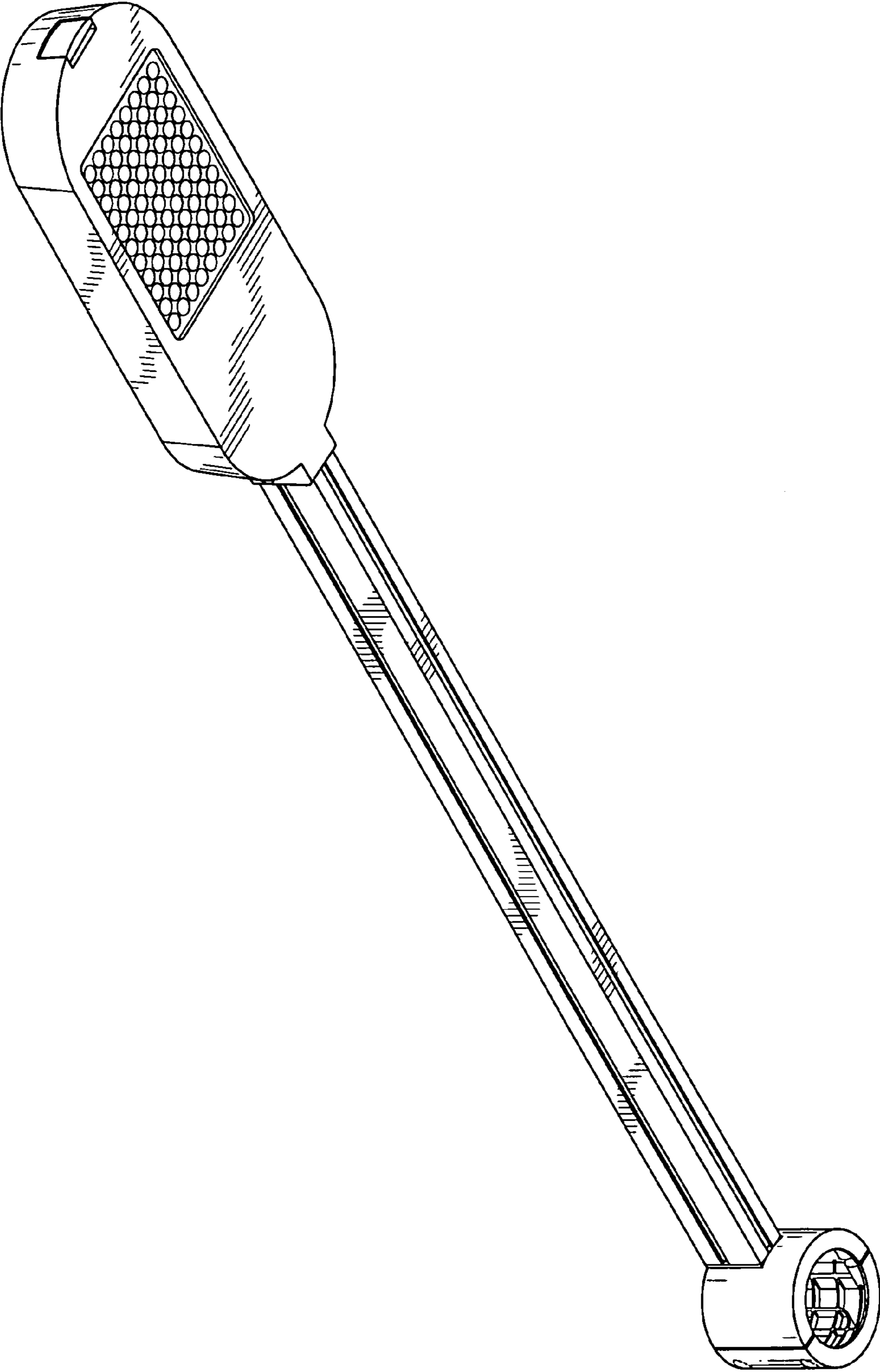


FIG. 2

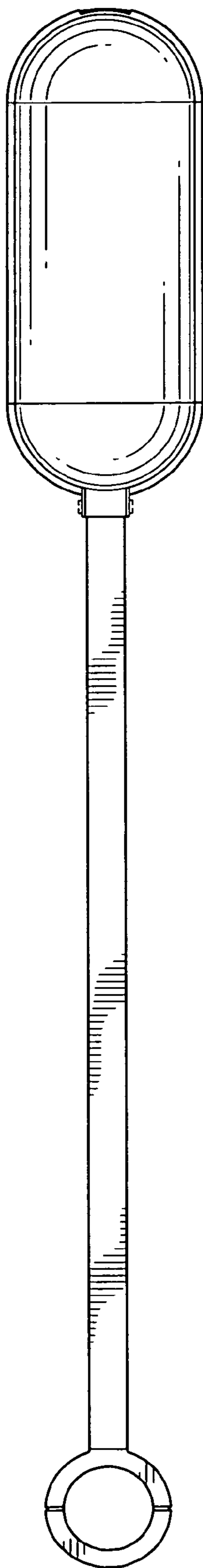


FIG. 3

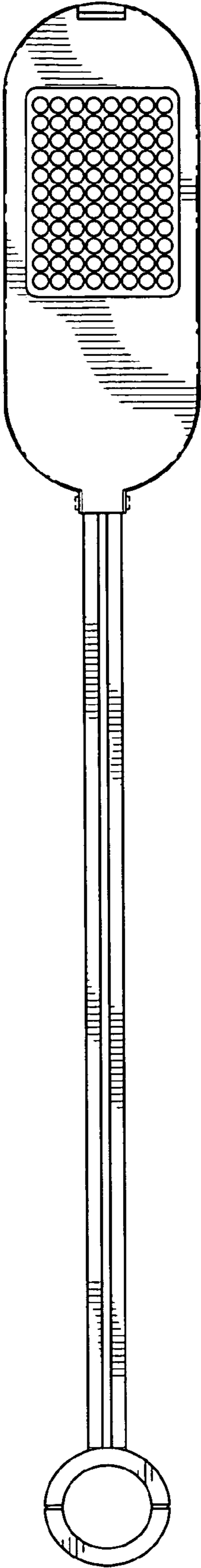


FIG. 4

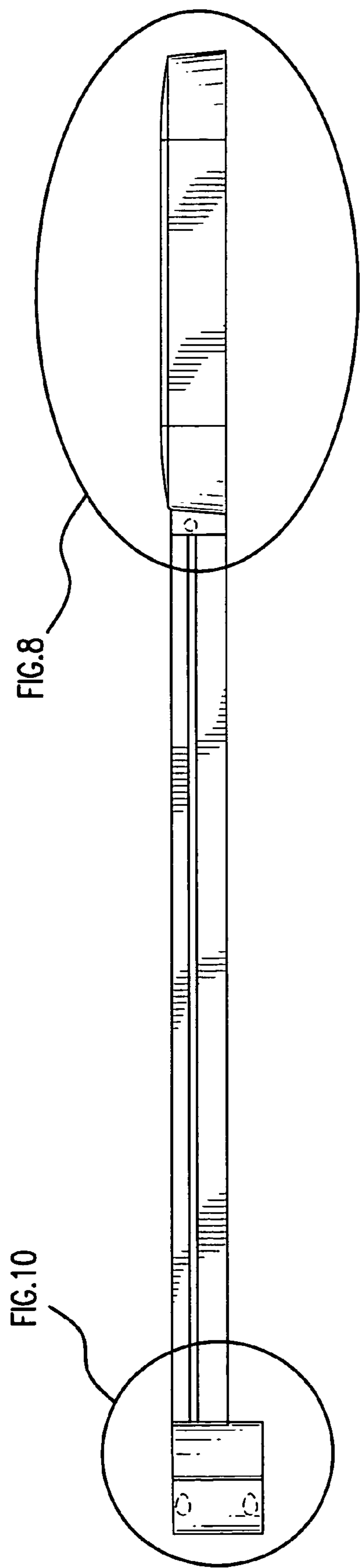


FIG.5

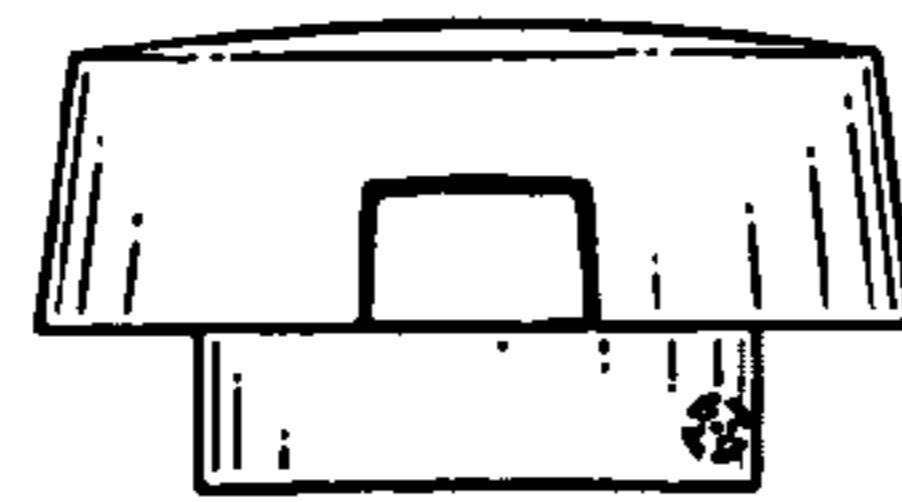


FIG.6

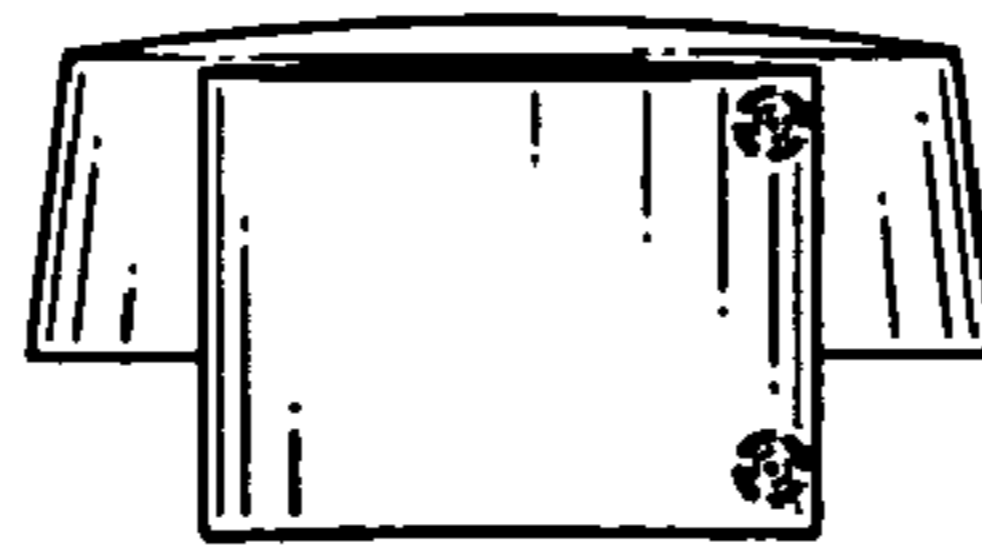


FIG. 7

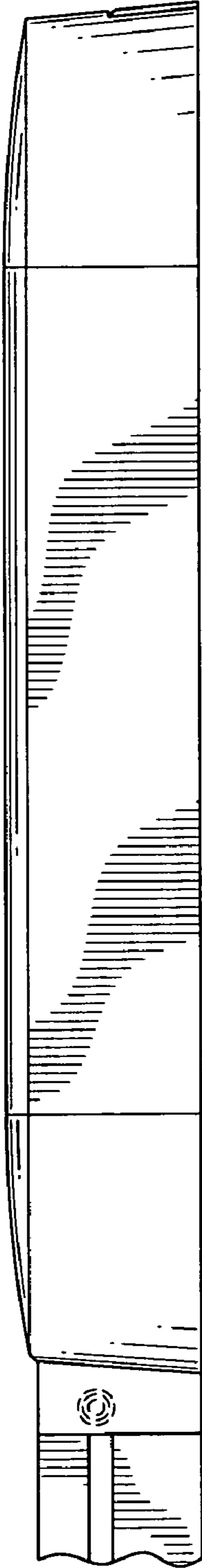


FIG. 8

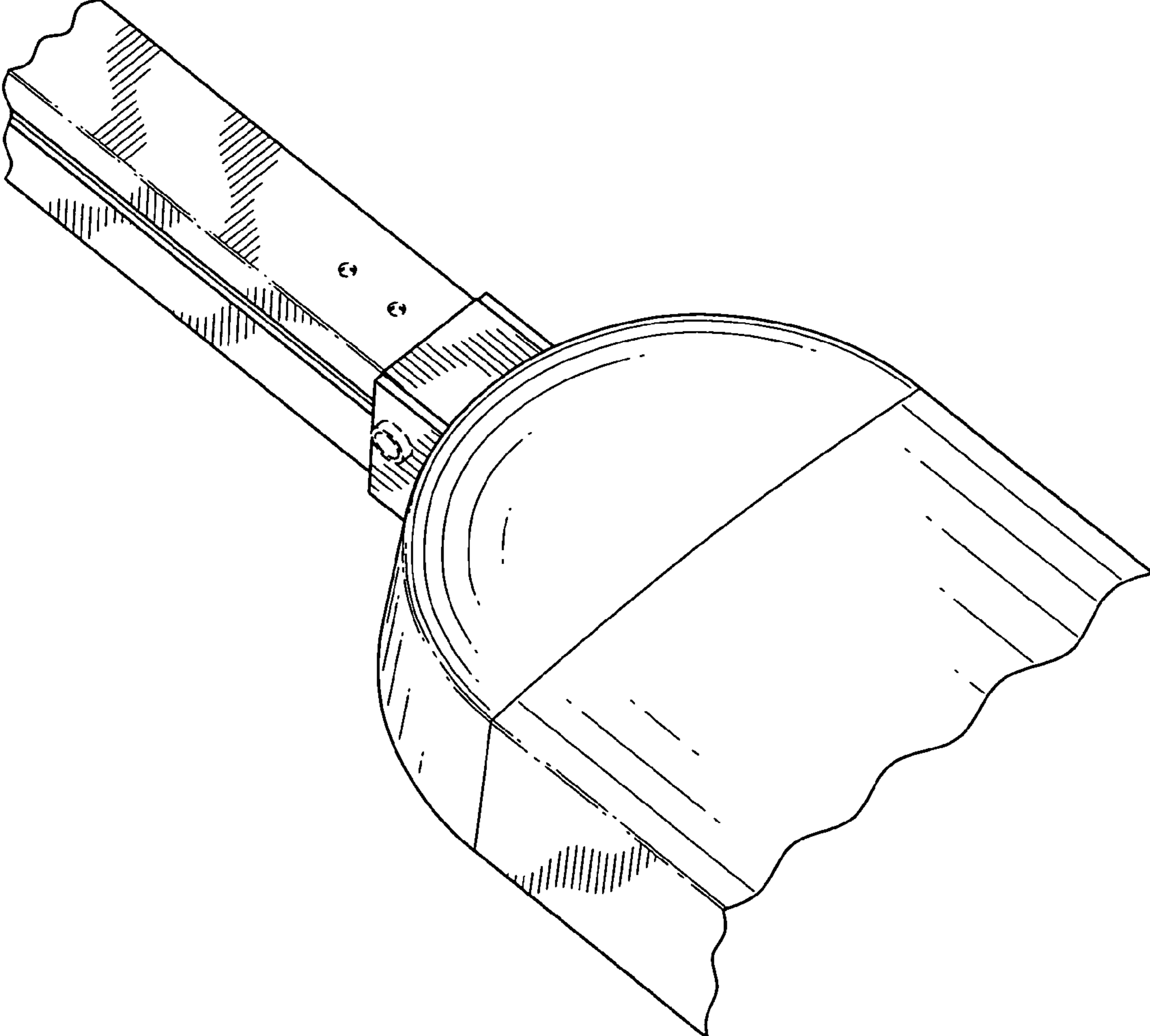


FIG.9

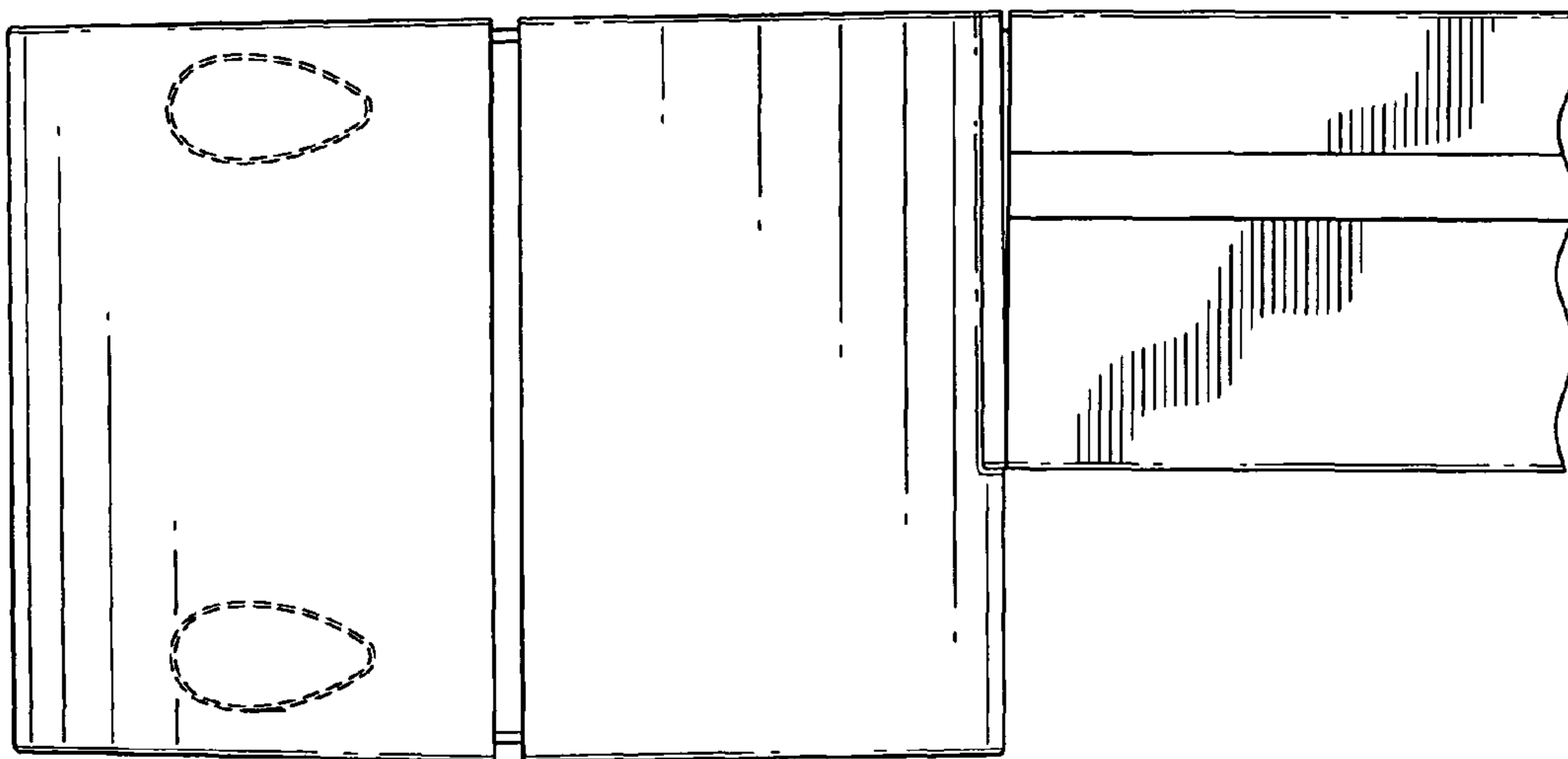


FIG. 10