



US00D659272S

(12) **United States Design Patent**
Nguyen et al.

(10) **Patent No.:** **US D659,272 S**
(45) **Date of Patent:** **** May 8, 2012**

- (54) **LIGHTING DEVICE**
- (75) Inventors: **Hien Nguyen**, Westminster, CA (US);
Loc Nguyen, Santa Ana, CA (US)
- (73) Assignee: **SureFire, LLC**, Fountain Valley, CA (US)
- (**) Term: **14 Years**
- (21) Appl. No.: **29/383,307**
- (22) Filed: **Jan. 14, 2011**
- (51) **LOC (9) Cl.** **26-02**
- (52) **U.S. Cl.** **D26/49**
- (58) **Field of Classification Search** D26/37,
D26/38, 39, 40, 41, 43, 44, 46, 49; 362/157,
362/158, 184–199, 202–208
See application file for complete search history.

D586,489 S	2/2009	Shiu	
D590,970 S	4/2009	Kornfeld et al.	
D595,439 S	6/2009	Haight et al.	
D596,328 S	7/2009	Shiu	
D596,772 S *	7/2009	Chang	D26/49
D598,151 S	8/2009	McGraw	
D599,928 S	9/2009	Shiu	
D601,287 S	9/2009	Caniparoli	
D601,737 S *	10/2009	Swan	D26/49
7,604,371 B2	10/2009	Bushee et al.	
7,686,472 B1	3/2010	Huang	
D621,538 S	8/2010	Bushee	
D629,541 S	12/2010	Riley	
D629,542 S *	12/2010	Robinson	D26/49
D629,545 S *	12/2010	Deguglimo et al.	D26/49
D629,940 S	12/2010	Osterhout	
D630,783 S	1/2011	Baker et al.	
D630,784 S	1/2011	Robinson et al.	
2008/0291666 A1	11/2008	Bushee et al.	
2009/0295310 A1	12/2009	Duerr et al.	
2010/0315805 A1	12/2010	Dongpan	

* cited by examiner

(56) **References Cited**

U.S. PATENT DOCUMENTS

D433,171 S	10/2000	Petterson et al.	
D486,935 S *	2/2004	Shiu	D26/49
D486,936 S *	2/2004	Shiu	D26/49
D486,937 S *	2/2004	Shiu	D26/49
D488,877 S	4/2004	Shin	
D496,115 S	9/2004	Lin	
D509,008 S	8/2005	Shiu	
D529,643 S *	10/2006	Kung	D26/37
D536,118 S *	1/2007	Krieger et al.	D26/49
D549,376 S	8/2007	Shiu	
D554,281 S *	10/2007	Bushee et al.	D26/37
7,278,764 B2	10/2007	Kim	
D554,787 S *	11/2007	Shiu	D26/49
D564,116 S	3/2008	Linardos	
D566,314 S	4/2008	Jen	
D567,415 S	4/2008	Shiu	
D570,511 S *	6/2008	Shiu	D26/49
D576,757 S	9/2008	Hesse et al.	
D577,843 S	9/2008	Couture et al.	
D577,844 S	9/2008	Shiu	
D577,845 S *	9/2008	Shiu	D26/49
D578,690 S *	10/2008	Kim	D26/37
D579,135 S	10/2008	Shiu	
D583,972 S	12/2008	Shiu	

Primary Examiner — Ian Simmons

Assistant Examiner — Carissa C Fitts

(74) *Attorney, Agent, or Firm* — Haynes and Boone, LLP

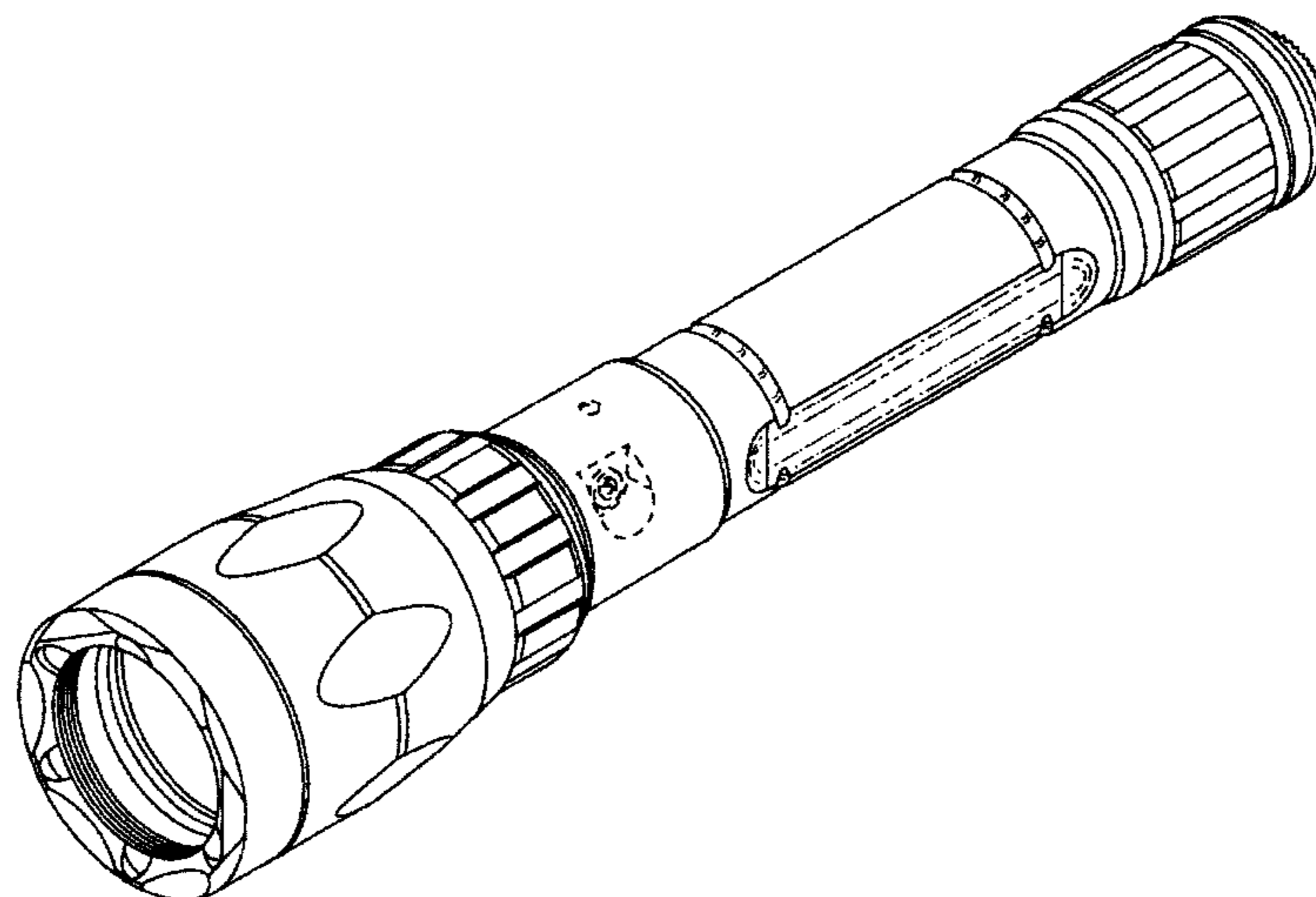
(57) **CLAIM**

The ornamental design for a lighting device, as shown and described.

DESCRIPTION

FIG. 1 is a front perspective view of a lighting device showing our new design;
 FIG. 2 is a rear perspective view thereof;
 FIG. 3 is a top plan view thereof;
 FIG. 4 is a bottom plan view thereof;
 FIG. 5 is a right side elevational view thereof;
 FIG. 6 is a left side elevational view thereof;
 FIG. 7 is a front side elevational view thereof; and,
 FIG. 8 is a rear side elevational view thereof.
 The broken lines in the figures are shown for the purpose of illustrating environmental matter and form no part of the claimed design.

1 Claim, 7 Drawing Sheets



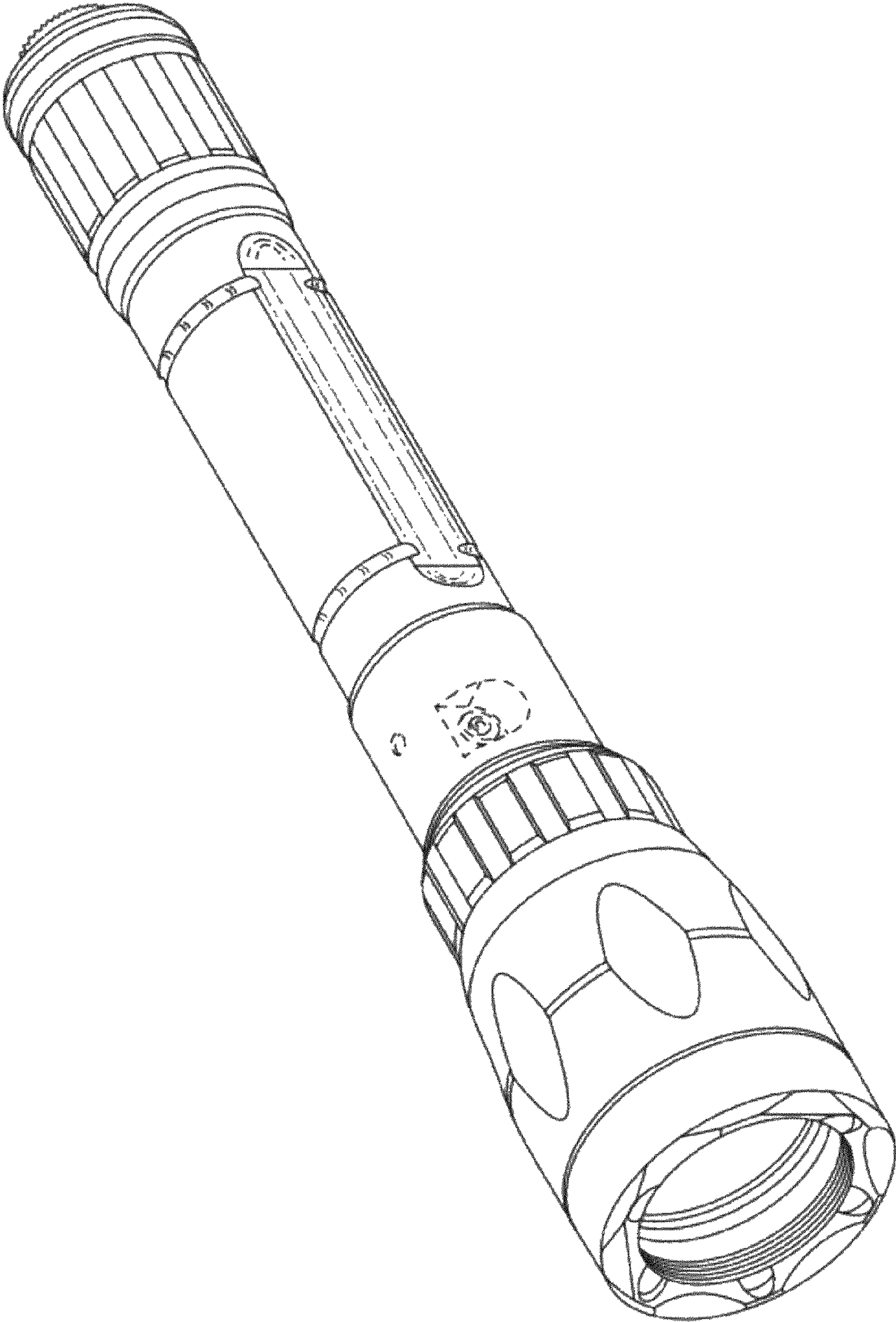


FIG. 1

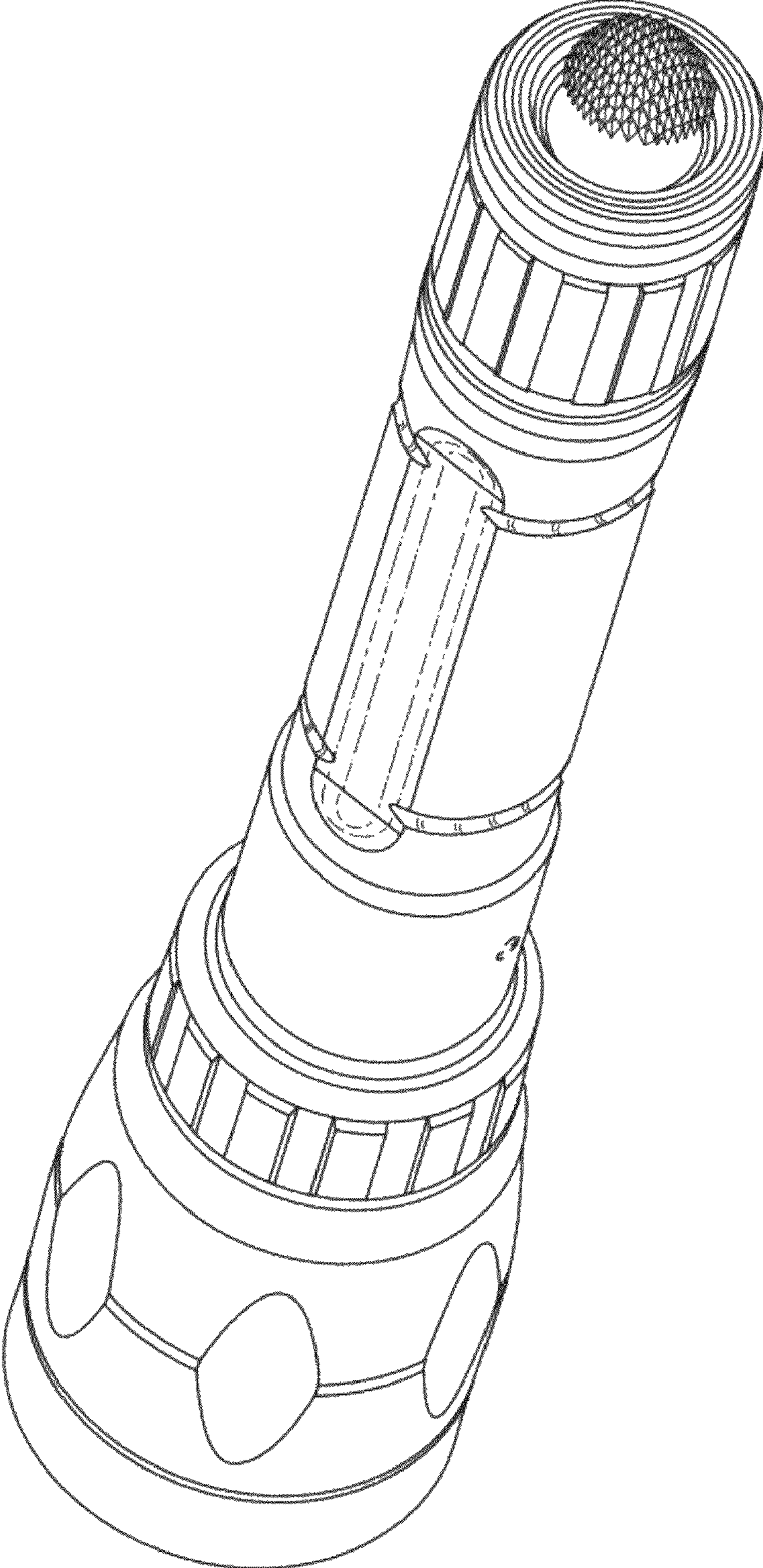


FIG. 2

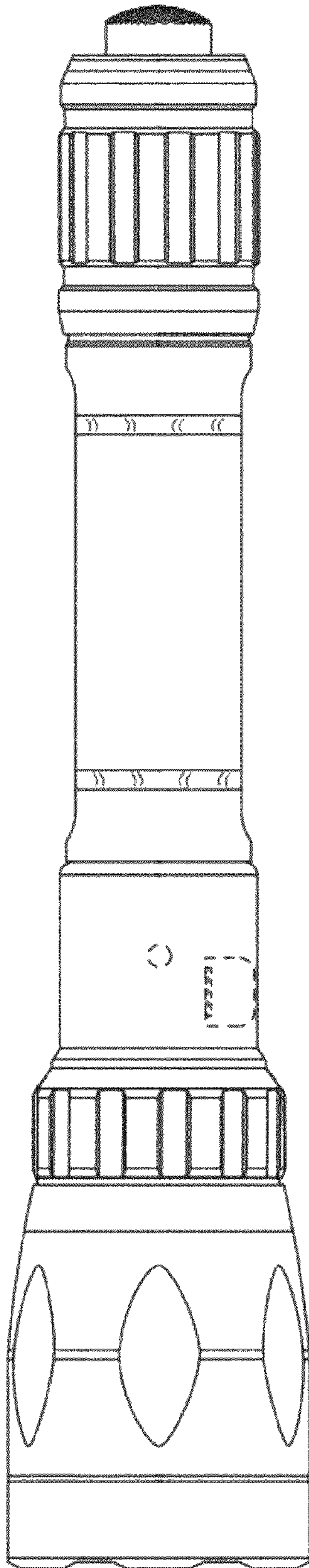


FIG. 3

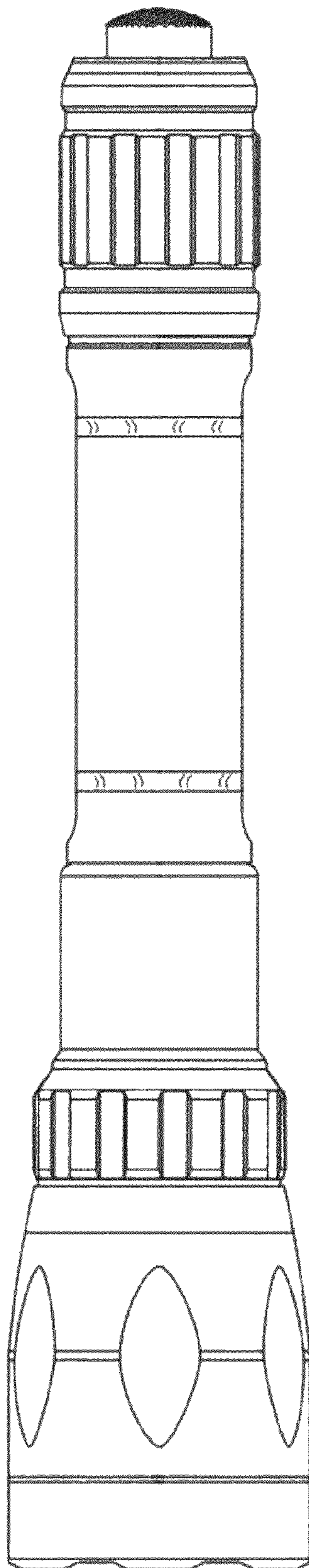


FIG. 4

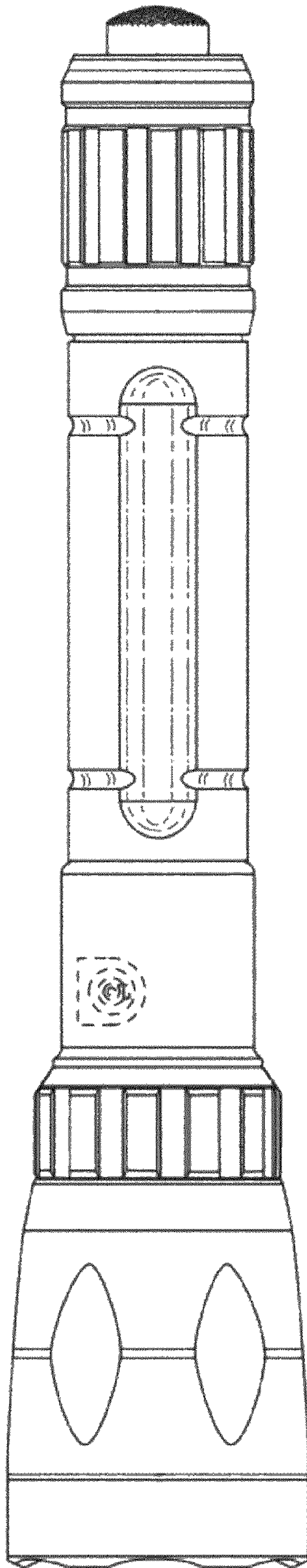


FIG. 5

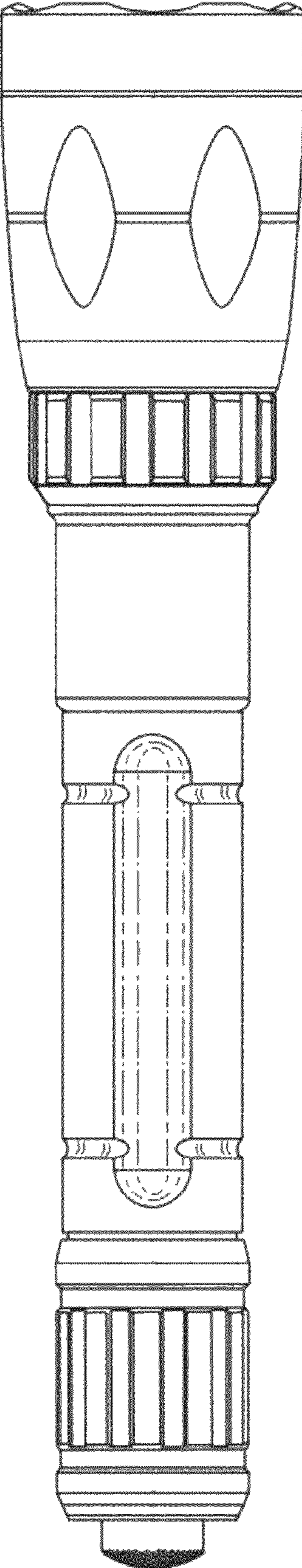


FIG. 6

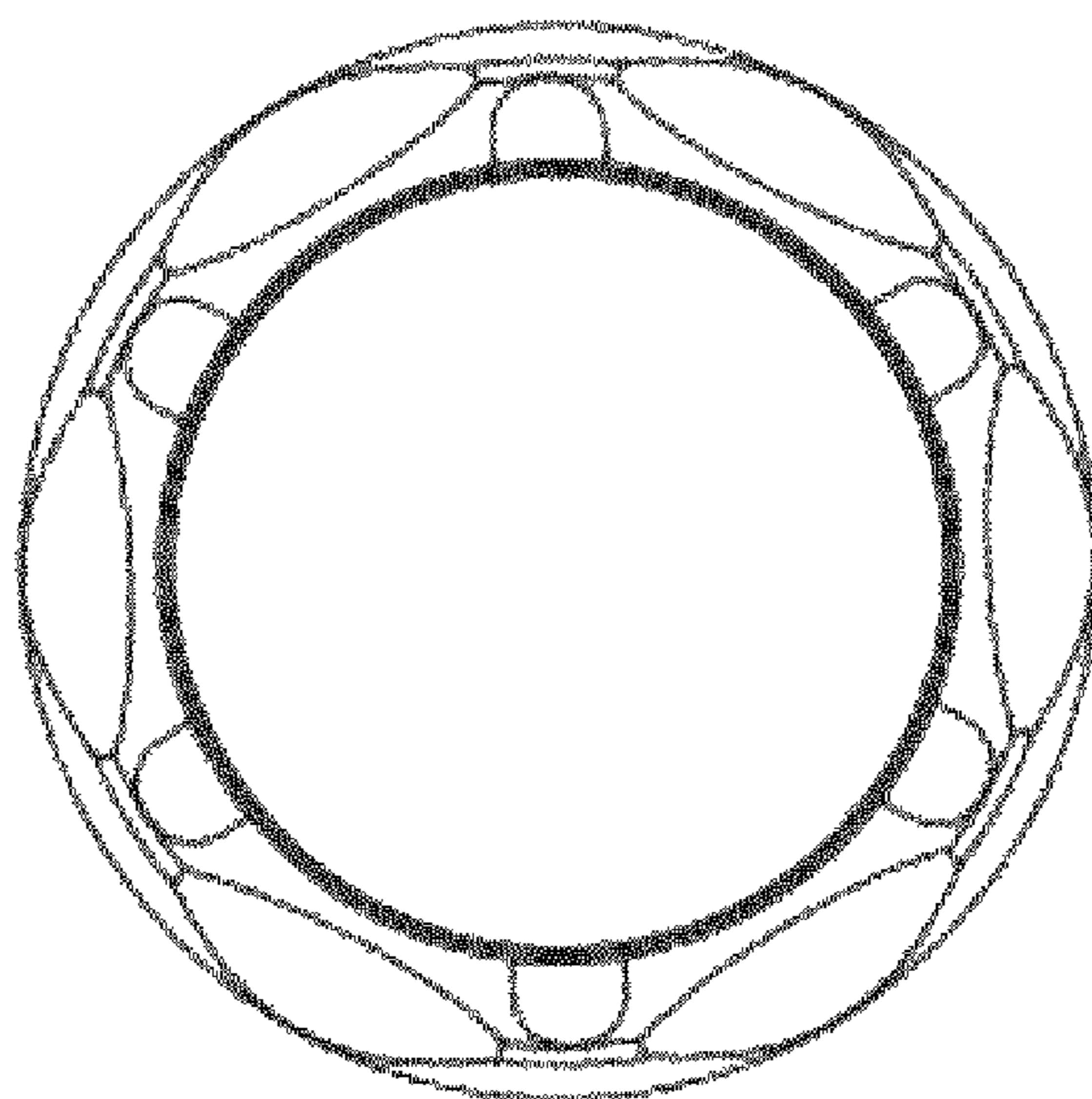


FIG. 7

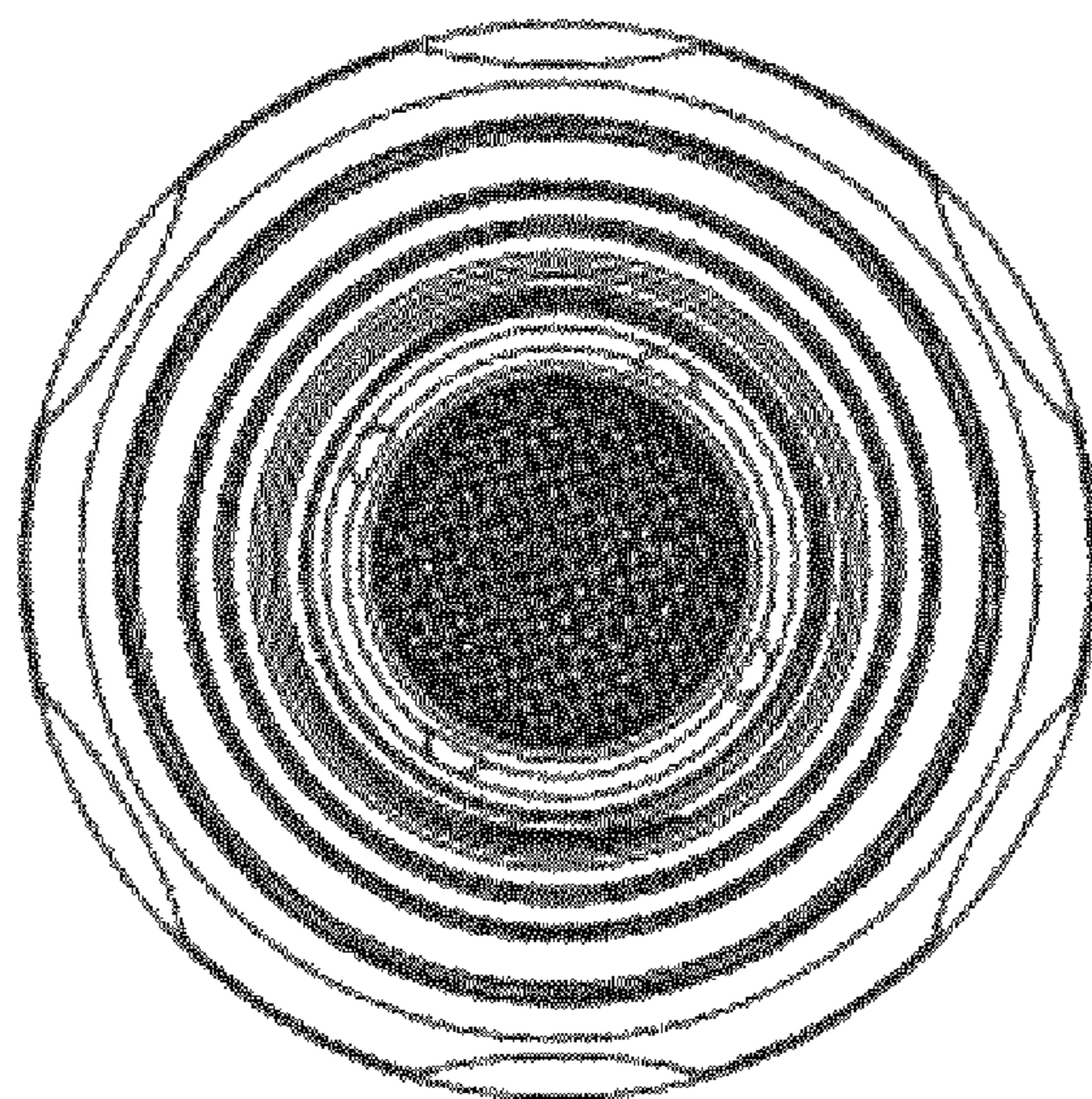


FIG. 8