



US00D659266S

(12) **United States Design Patent**  
**Maxik et al.**

(10) **Patent No.:** **US D659,266 S**  
(45) **Date of Patent:** **\*\* May 8, 2012**

(54) **LUMINAIRE**

(74) *Attorney, Agent, or Firm* — Cantor Colburn LLP

(75) Inventors: **Fredric S. Maxik**, Indialantic, FL (US);  
**David Henderson**, Indialantic, FL (US);  
**Mark Penley Boomgaarden**, Indian  
Harbour Beach, FL (US); **Addy S.**  
**Widjaja**, Palm Bay, FL (US); **Emilio**  
**Flores**, Indian Harbor, FL (US); **Shane**  
**Sullivan**, Indialantic, FL (US); **Wei Sun**,  
Davie, FL (US)

(57) **CLAIM**  
We claim, the ornamental design for a luminaire, as shown  
and described.

(73) Assignee: **Lighting Science Group Corporation**,  
Satellite Beach, FL (US)

**DESCRIPTION**

(\*\*) Term: **14 Years**

FIG. 1 is a front elevational view of a luminaire showing our  
new design;  
FIG. 2 is a top perspective view of the embodiment of FIG. 1;  
FIG. 3 is a bottom plan view of the embodiment of FIG. 1;  
FIG. 4 is a first perspective view of the embodiment of FIG. 1;  
FIG. 5 is a second perspective view of the embodiment of  
FIG. 1;  
FIG. 6 is a front elevational view of a second embodiment  
thereof;  
FIG. 7 is a top plan view of the embodiment of FIG. 6;  
FIG. 8 is a bottom plan view of the embodiment of FIG. 6;  
FIG. 9 is a first perspective view of the embodiment of FIG. 6;  
and,  
FIG. 10 is a second perspective view of the embodiment of  
FIG. 6.

(21) Appl. No.: **29/360,985**

(22) Filed: **May 4, 2010**

(51) **LOC (9) Cl.** ..... **26-04**

(52) **U.S. Cl.** ..... **D26/2**

(58) **Field of Classification Search** ..... D26/1-4;  
313/313, 315, 316, 317, 318, 493; 315/52,  
315/53, 56, 57, 58

See application file for complete search history.

The degree of transparency or opaqueness of the lens of the  
luminaire forms no part of the claimed design. The lens of the  
claimed luminaire may have facets, lenslets or other treat-  
ments.

(56) **References Cited**

**U.S. PATENT DOCUMENTS**

4,375,607 A 3/1983 Morton et al.  
(Continued)

The dotted lines shown in FIG. 1-5 indicate that the outer  
diameter and shape of the lens may have any size diameter or  
curvature.

**FOREIGN PATENT DOCUMENTS**

WO 2006118457 11/2006  
(Continued)

The phantom lines shown in FIG. 1-FIG. 10 are environmen-  
tal and not part of the claimed design.

**OTHER PUBLICATIONS**

<http://img.diytrade.com/cdimg/395588/7678937/...> <http://images.google.com/imgres?imgurl=http://img.diytrade.com/cdimg/3...>  
Prior to May 4, 2010.

The color and shading of the luminaire forms no part of the  
claimed design, the luminaire according to the claimed design  
may be any color or combination of colors.

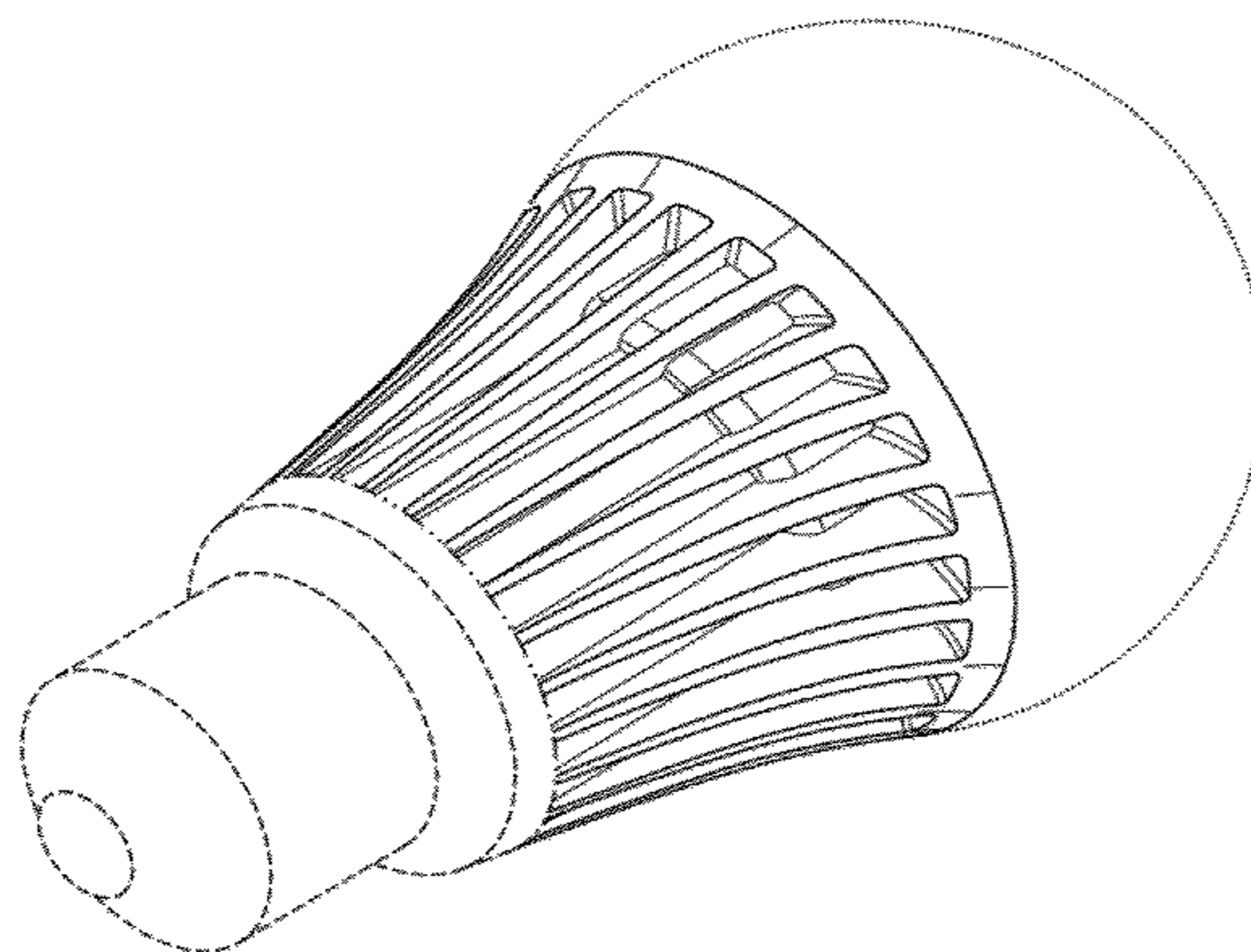
The surface treatment of the luminaire forms no part of the  
claimed design, the luminaire of the claimed design may have  
any surface treatment.

(Continued)

References to “side”, “top”, “front” and “bottom” in the fig-  
ure descriptions are not meant to require certain in-use orien-  
tation; a luminaire according to the claimed design may be  
used in any orientation.

*Primary Examiner* — Marcus Jackson

**1 Claim, 6 Drawing Sheets**



# US D659,266 S

## U.S. PATENT DOCUMENTS

4,392,076 A 7/1983 Ishler et al.  
D271,424 S 11/1983 Young et al.  
D307,805 S 5/1990 Noe  
D321,260 S 10/1991 Bowman  
5,458,505 A 10/1995 Prager  
D391,006 S 2/1998 Yang  
5,791,769 A 8/1998 Yang  
D470,610 S 2/2003 Bobel  
6,515,433 B1 2/2003 Ge et al.  
D480,486 S 10/2003 Kakuno et al.  
6,655,823 B2 12/2003 Chang  
6,786,625 B2 9/2004 Wesson  
D497,439 S 10/2004 Shaw et al.  
6,848,812 B1 2/2005 Hsieh  
D508,575 S 8/2005 Buschmann et al.  
D516,229 S 2/2006 Tang  
D527,119 S 8/2006 Maxik et al.  
D528,227 S 9/2006 Chou et al.  
D528,673 S 9/2006 Maxik et al.  
D531,741 S 11/2006 Takahashi  
D534,665 S 1/2007 Egawa et al.  
D538,950 S 3/2007 Maxik  
D538,951 S 3/2007 Maxik et al.  
D538,952 S 3/2007 Maxik et al.  
D541,957 S 5/2007 Wang  
D545,457 S 6/2007 Chen  
7,226,189 B2 6/2007 Lee et al.  
D560,286 S 1/2008 Maxik et al.  
D566,300 S 4/2008 Lo  
7,367,688 B1 5/2008 Bucher et al.  
D570,504 S 6/2008 Maxik et al.  
D570,505 S 6/2008 Maxik et al.  
D572,385 S 7/2008 Mazzochette et al.  
7,434,964 B1 10/2008 Zheng et al.  
D581,554 S 11/2008 To et al.  
D581,583 S 11/2008 Peng  
7,448,772 B2 11/2008 Hampton  
D584,837 S 1/2009 Mazzochette et al.  
D586,497 S 2/2009 Wu et al.  
7,513,653 B1 4/2009 Liu et al.  
D593,222 S 5/2009 To et al.  
D594,143 S 6/2009 Montagnat et al.  
D594,995 S 6/2009 Komar  
D595,893 S 7/2009 Maxik et al.  
D597,704 S 8/2009 Peng  
D600,850 S 9/2009 Maxik et al.  
D601,276 S 9/2009 Grajcar

D601,277 S \* 9/2009 Grajcar ..... D26/2  
D601,278 S 9/2009 Takahashi  
D601,279 S 9/2009 Ou et al.  
D607,586 S 1/2010 Ko  
D608,478 S 1/2010 Maxik et al.  
D610,271 S 2/2010 Bi  
D610,722 S 2/2010 Bi  
D612,956 S 3/2010 Moon  
D613,433 S 4/2010 Moon  
7,717,590 B1 5/2010 Li  
D617,915 S \* 6/2010 Wada et al. .... D26/2  
D618,369 S 6/2010 Lee et al.  
D620,153 S 7/2010 Wang et al.  
D623,777 S \* 9/2010 Moon et al. .... D26/2  
D623,778 S 9/2010 Moon et al.  
D623,779 S 9/2010 Wang et al.  
D624,214 S 9/2010 Thomas et al.  
D624,215 S 9/2010 Moon et al.  
D624,669 S 9/2010 Tsai  
D625,437 S 10/2010 Zhang et al.  
D626,260 S 10/2010 Wei  
D626,667 S 11/2010 Jonsson et al.  
D627,087 S 11/2010 Jonsson et al.  
D628,322 S 11/2010 Sakai et al.  
D628,720 S 12/2010 Wang  
D629,129 S 12/2010 Lin et al.  
D629,930 S 12/2010 Cotter et al.  
D634,031 S \* 3/2011 de Visser et al. .... D26/2  
D634,037 S 3/2011 Jeong et al.  
2006/0215408 A1 9/2006 Lee  
2007/0285926 A1 12/2007 Maxik  
2008/0253125 A1 10/2008 Kang et al.  
2009/0141500 A1 6/2009 Peng  
2009/0296402 A1 12/2009 Chang et al.  
2010/0027270 A1 2/2010 Huang et al.  
2010/0091487 A1 4/2010 Shin

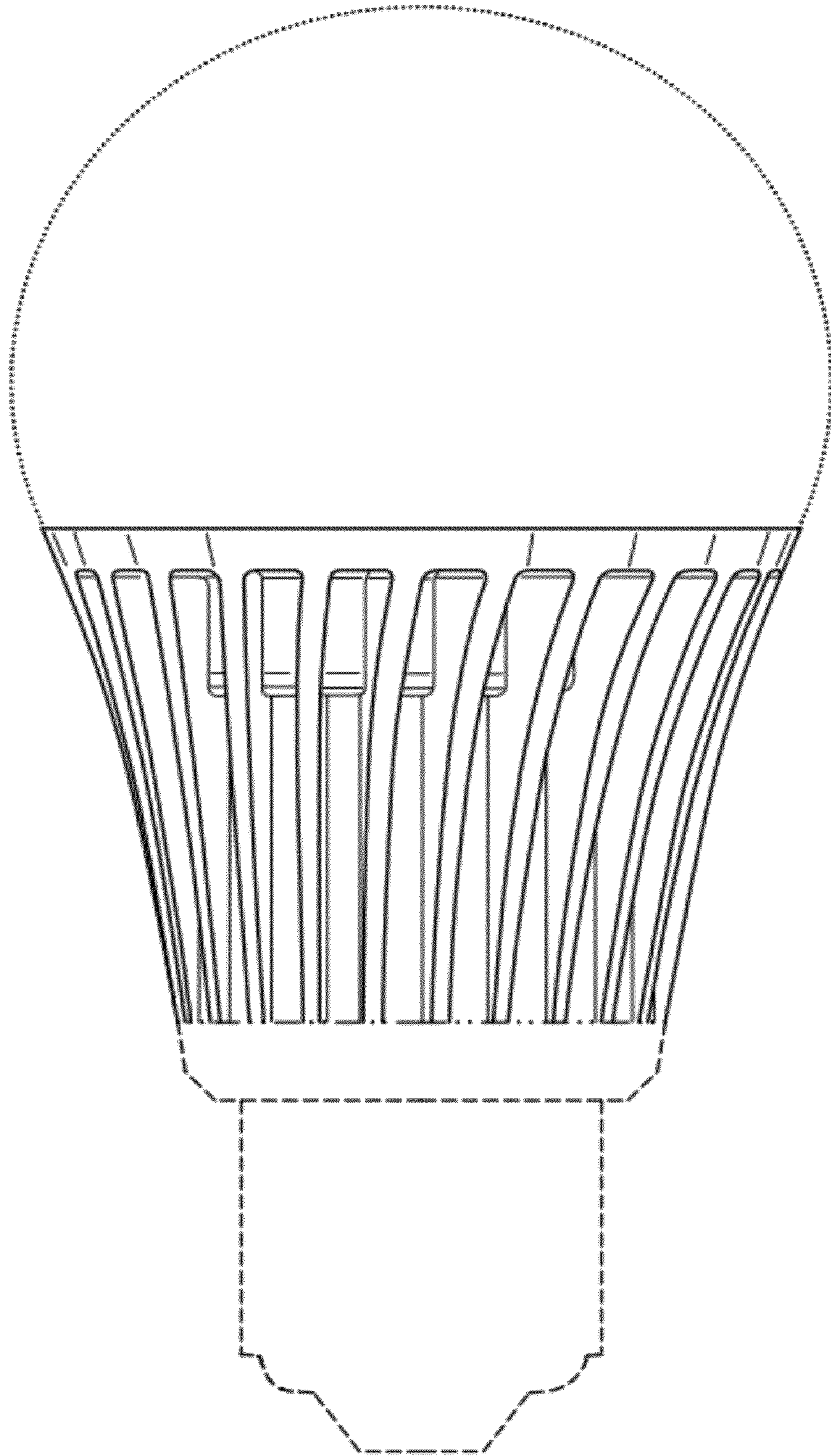
## FOREIGN PATENT DOCUMENTS

WO 2008113837 A2 9/2008

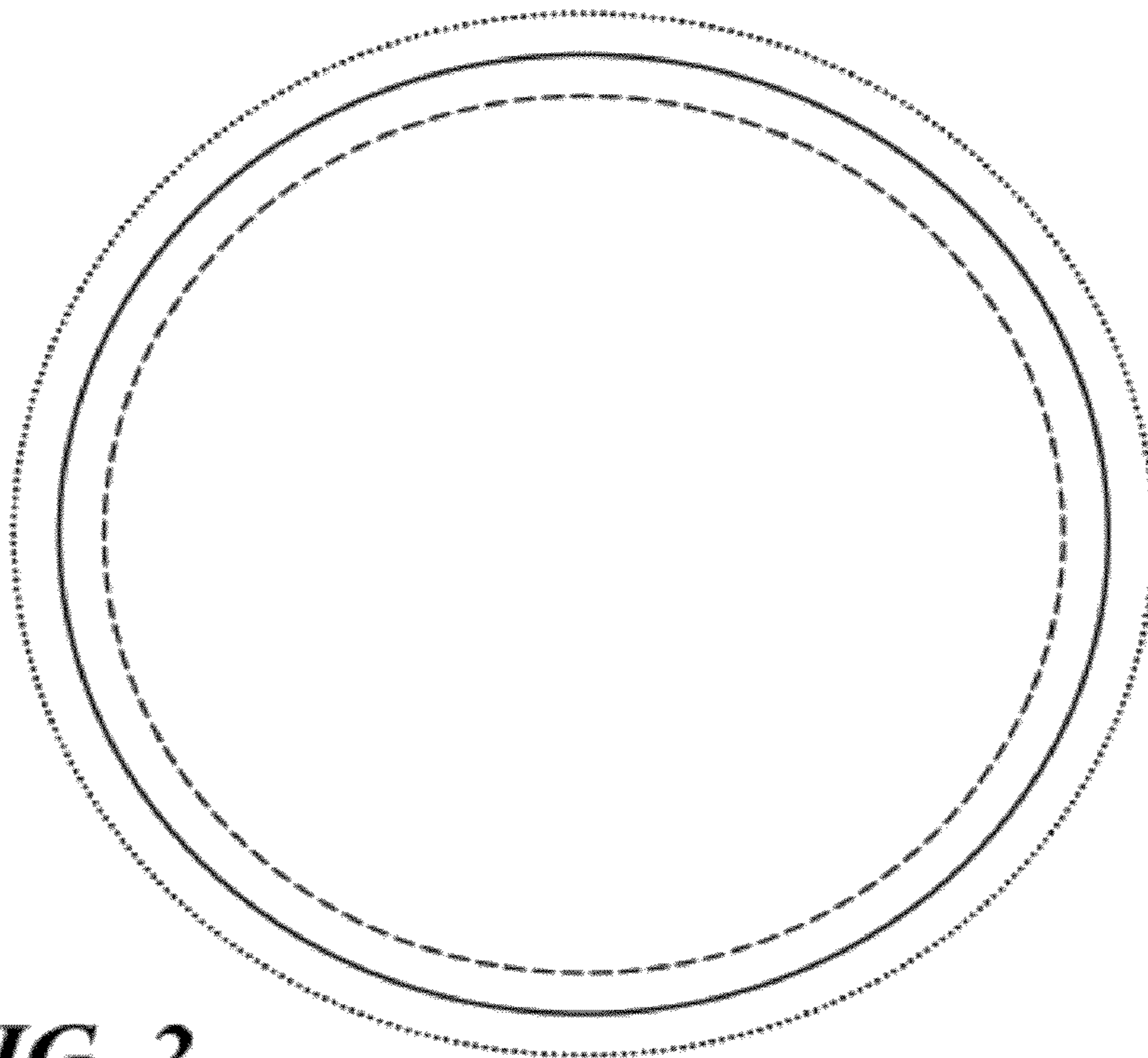
## OTHER PUBLICATIONS

SP-E27 LB60 Nicha / Cree LED Lamp, posted Dec. 18, 2008, [http://www.diytrade.com/china/4/products/4950147/SP-E27\\_LB60\\_Nicha\\_Cree\\_LED\\_Lamp.html](http://www.diytrade.com/china/4/products/4950147/SP-E27_LB60_Nicha_Cree_LED_Lamp.html), accessed Jun. 30, 2009.  
F.S. Maxik, "GU10 Lamp" Office Action mailed Mar. 16, 2011; U.S. Appl. No. 29/340,670, filed Jul. 23, 2009.

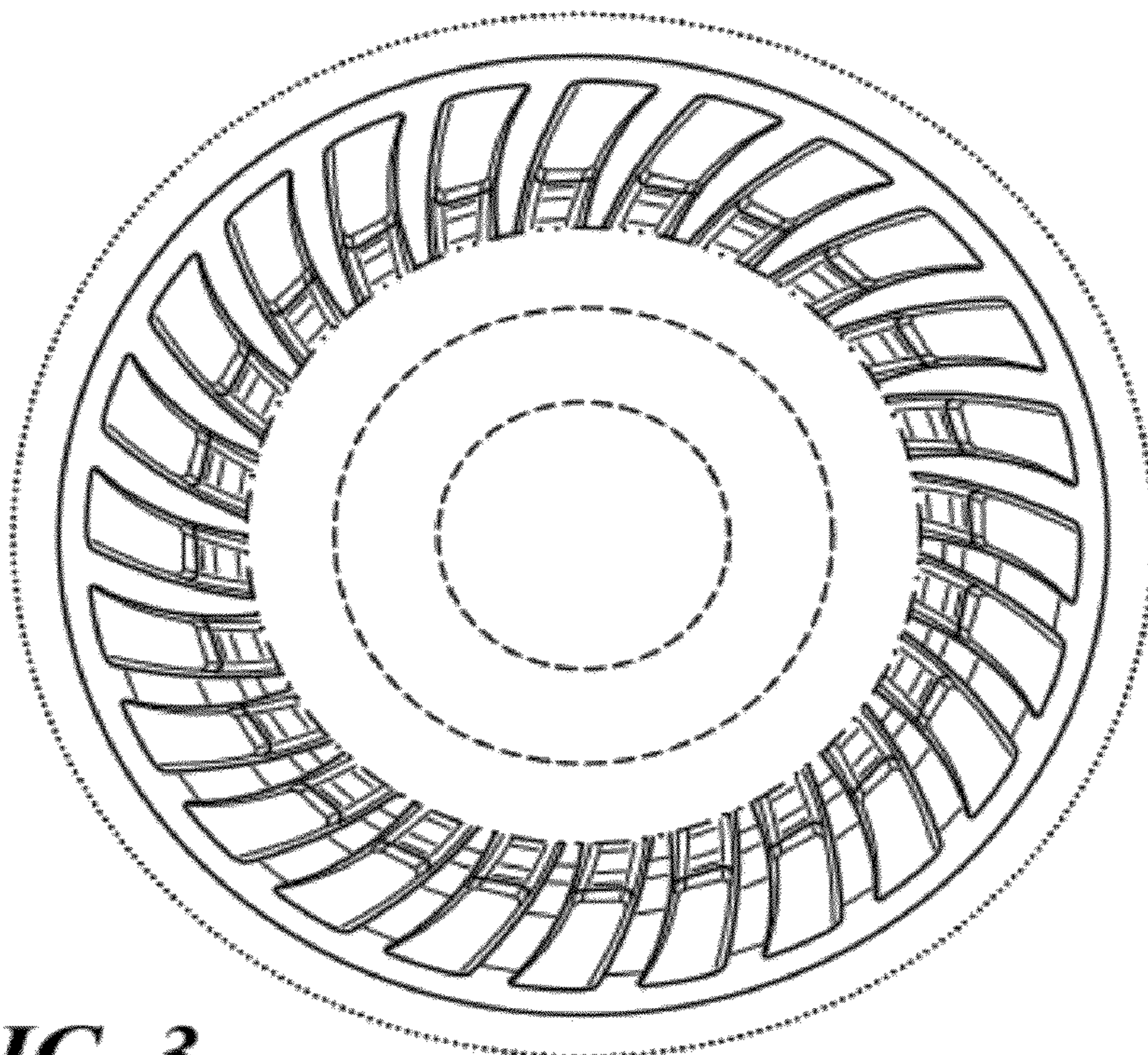
\* cited by examiner



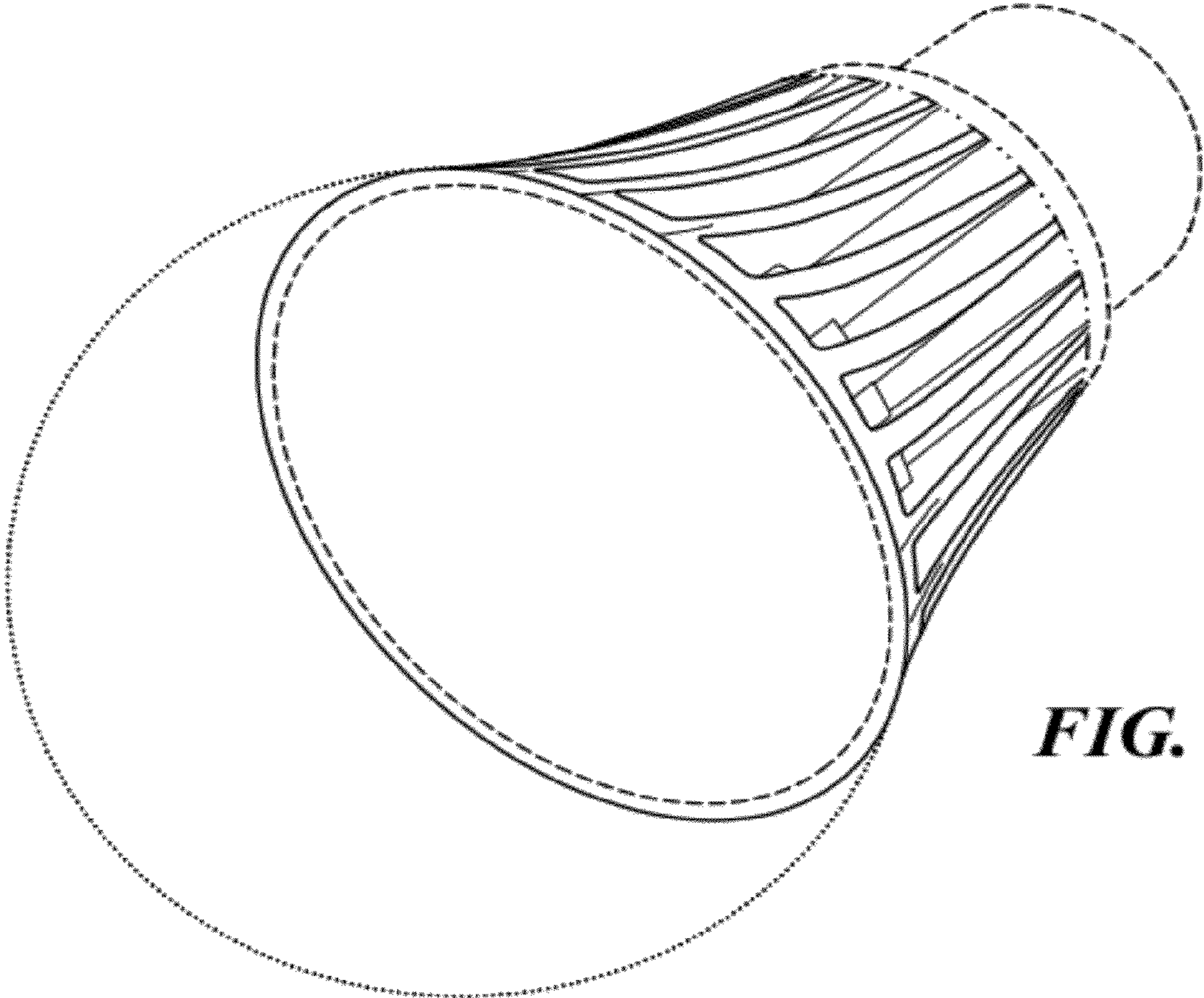
***FIG. 1***



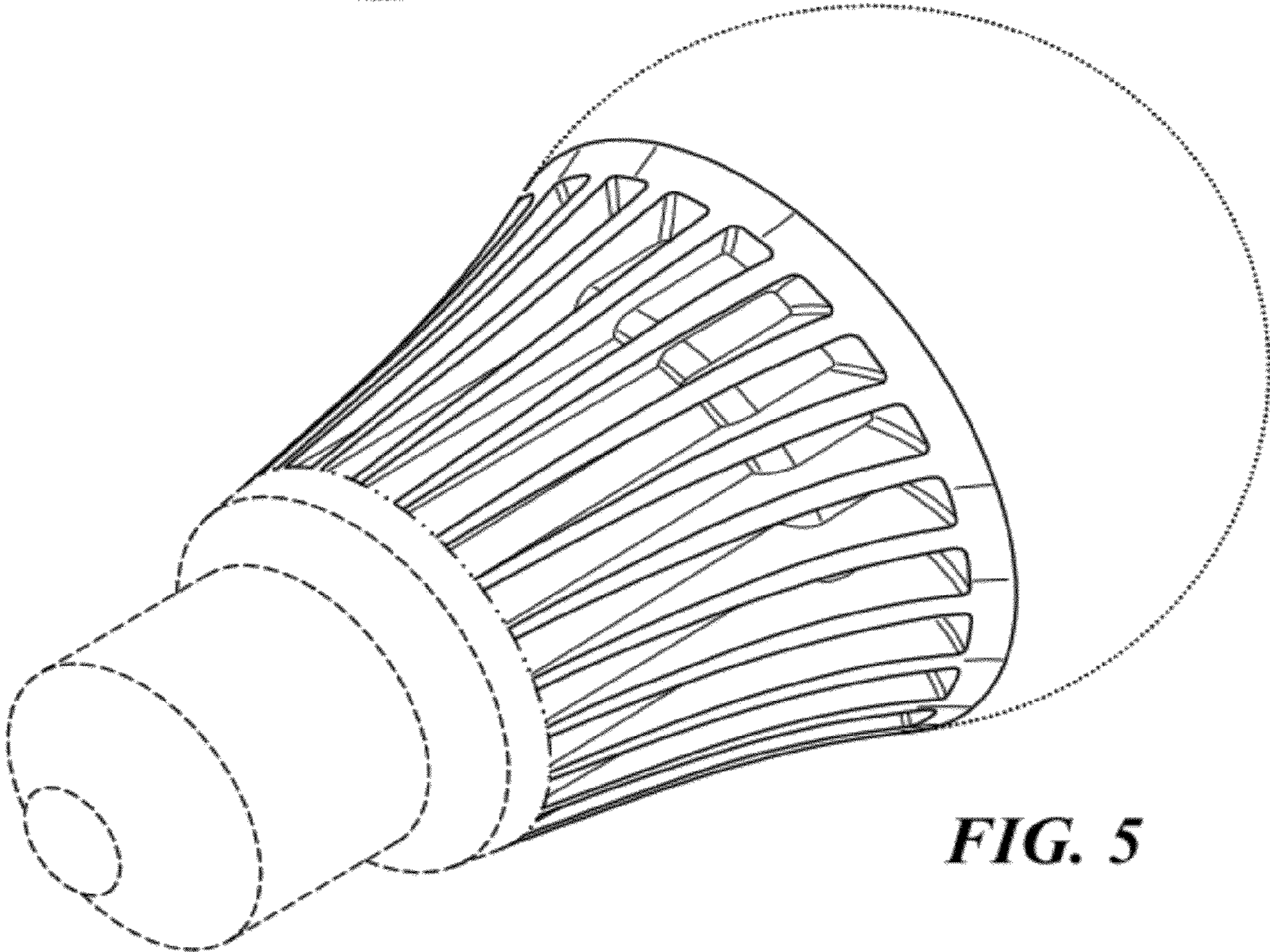
**FIG. 2**



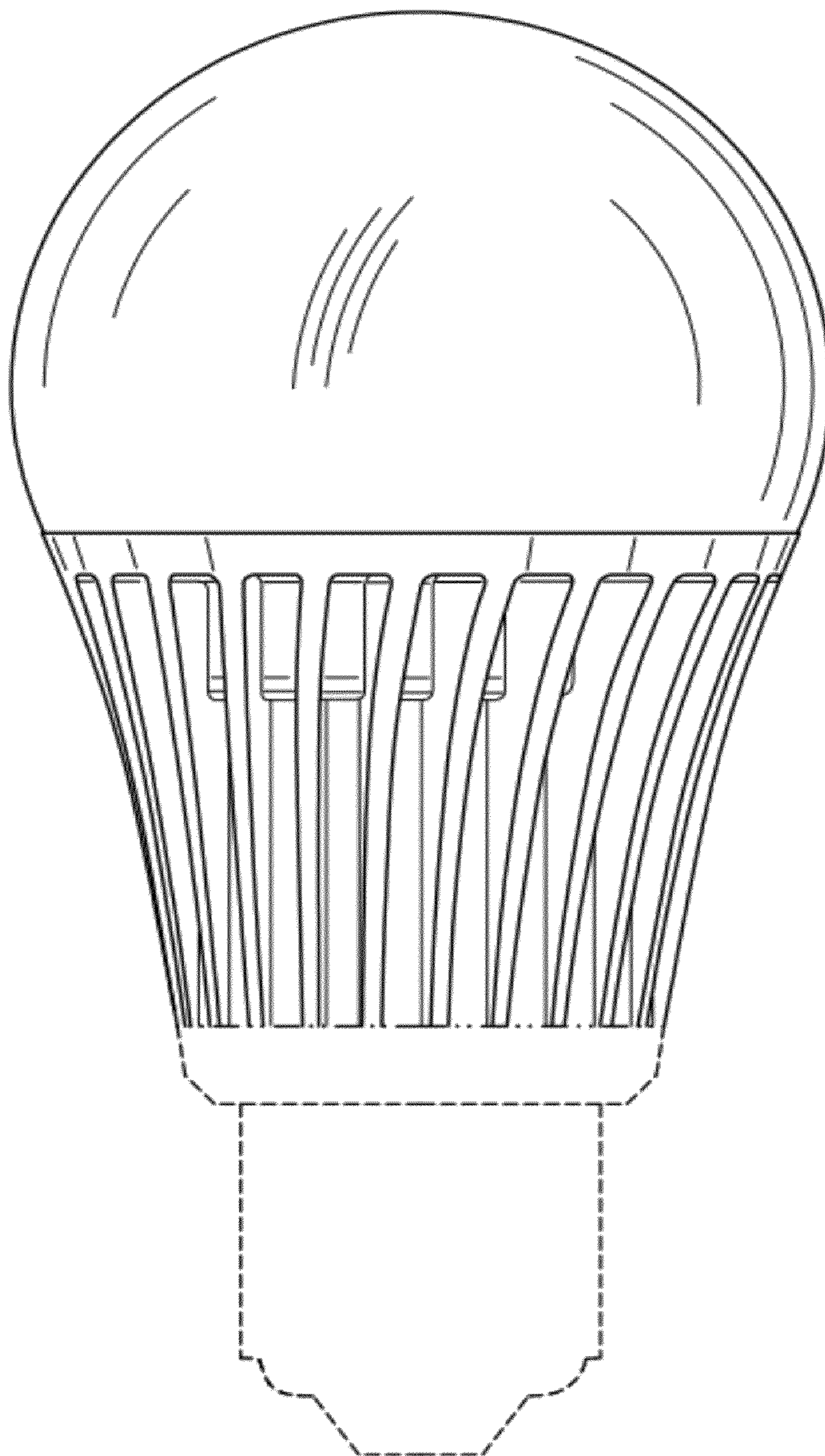
**FIG. 3**



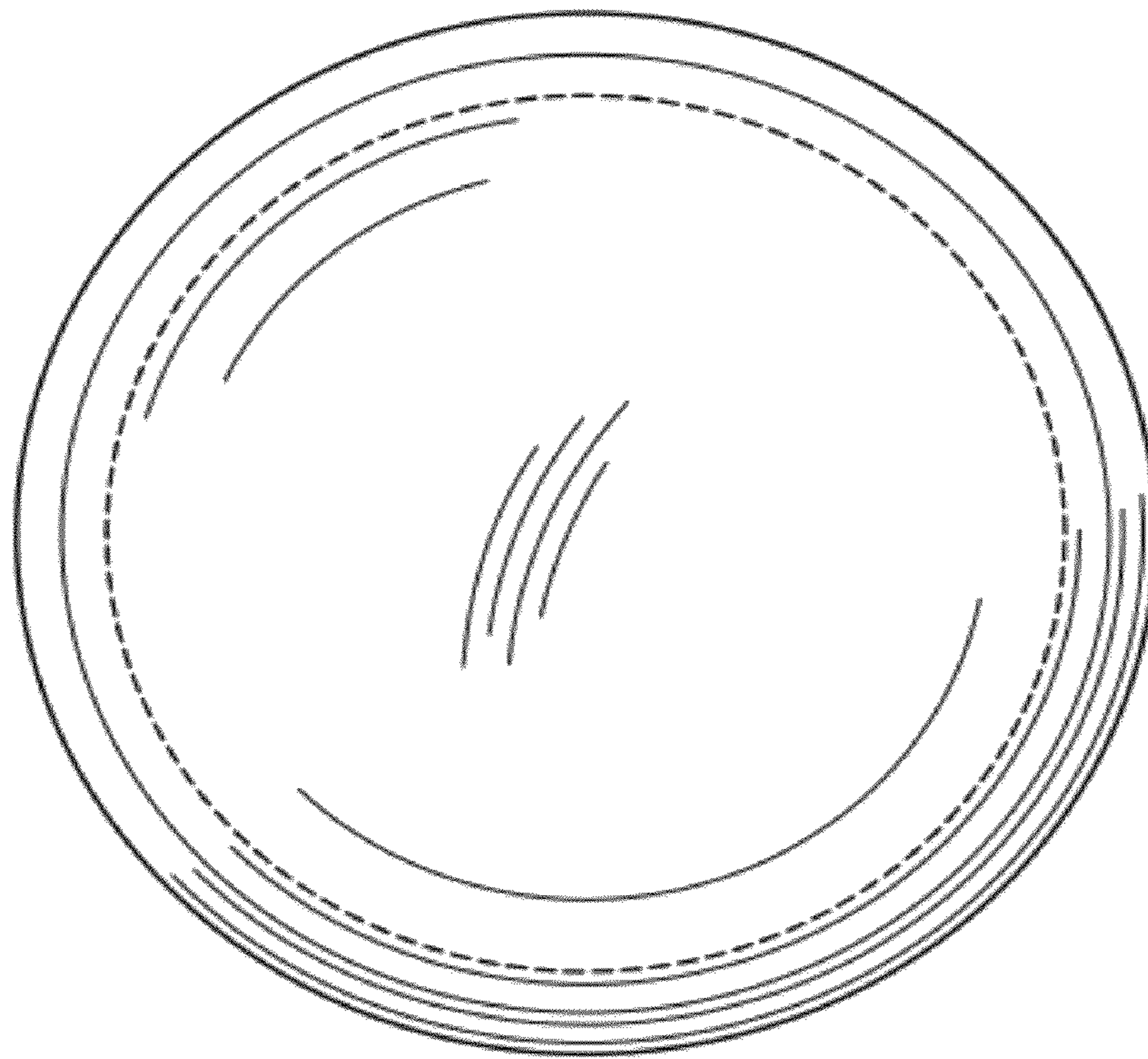
**FIG. 4**



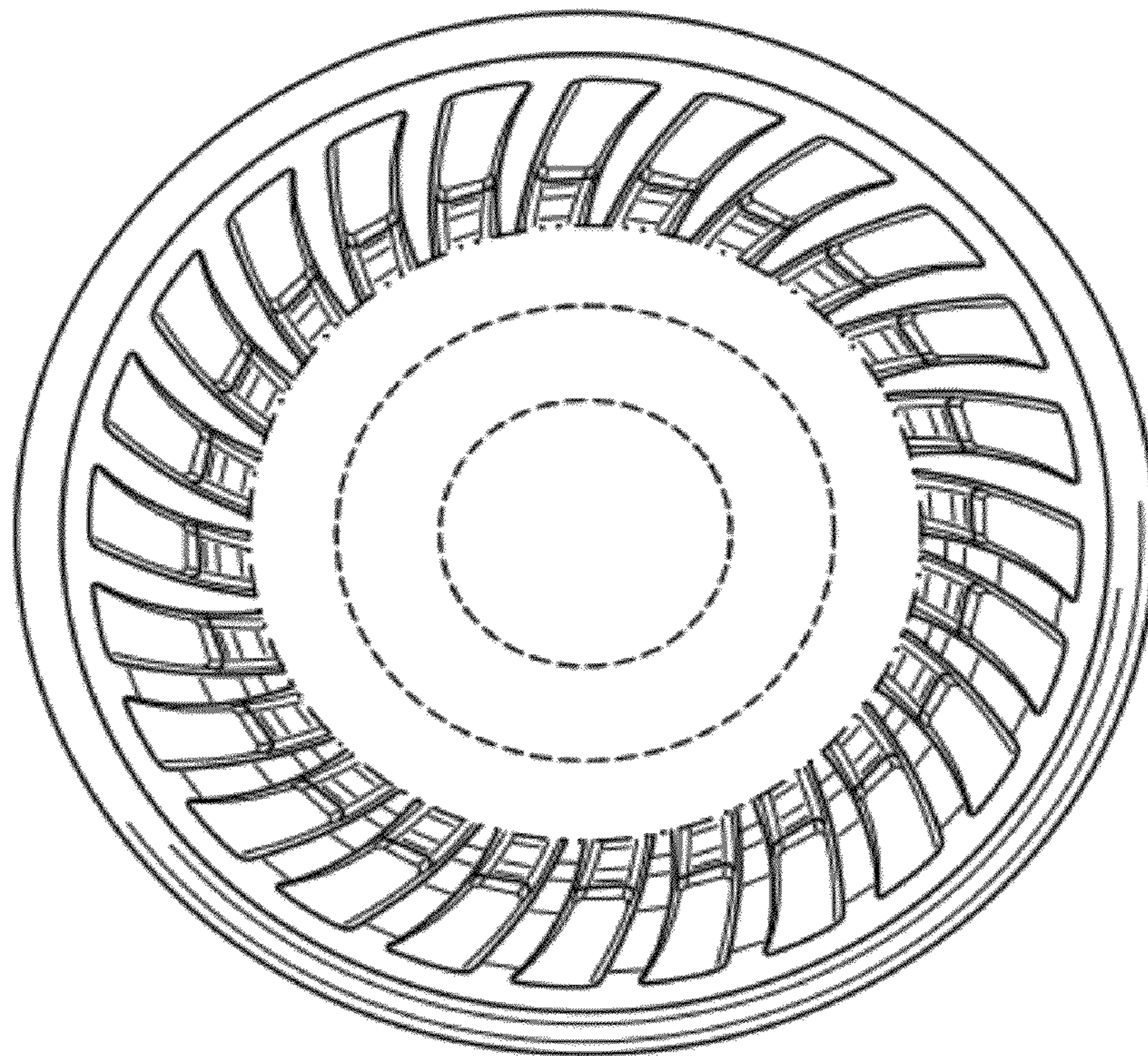
**FIG. 5**



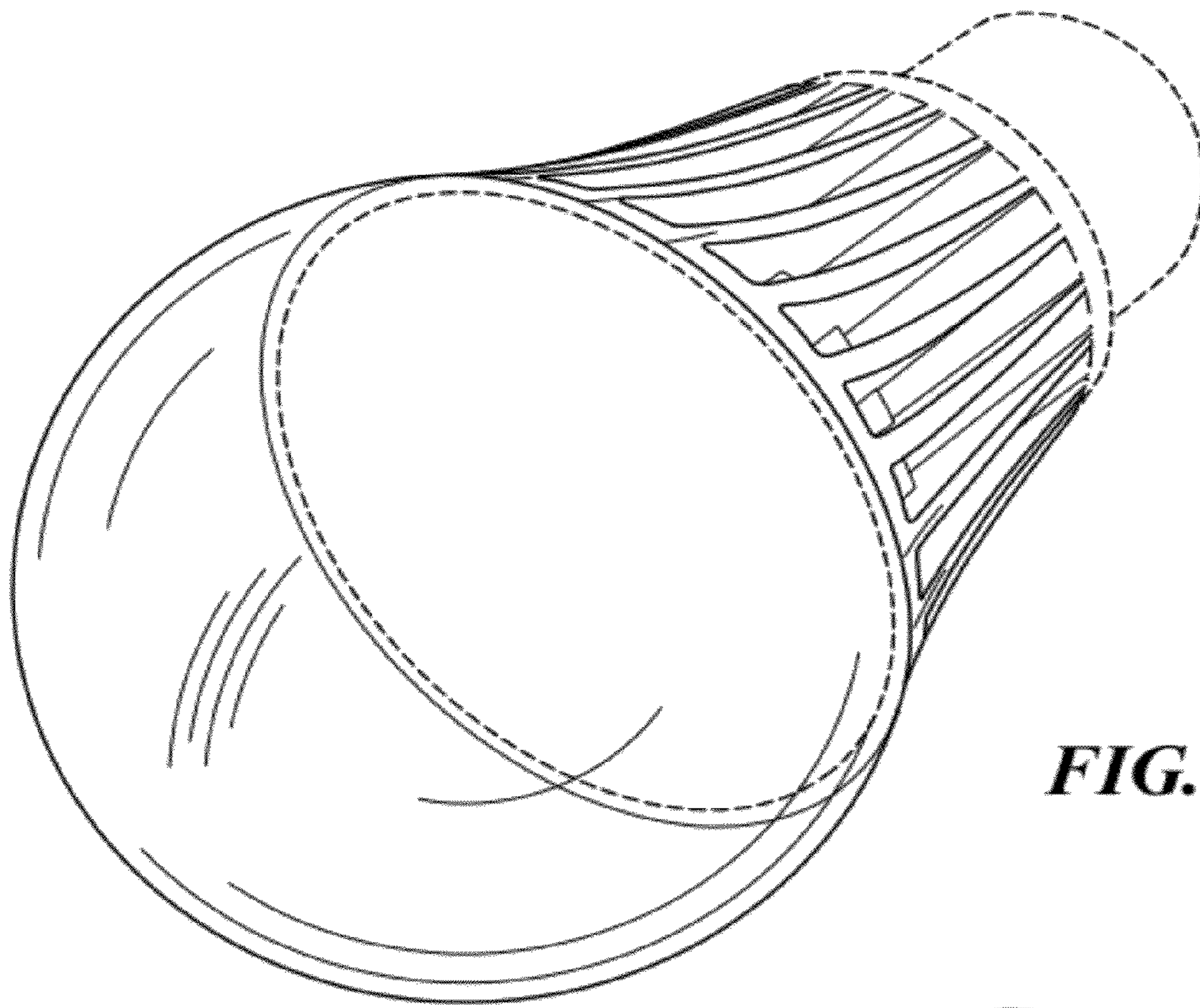
**FIG. 6**



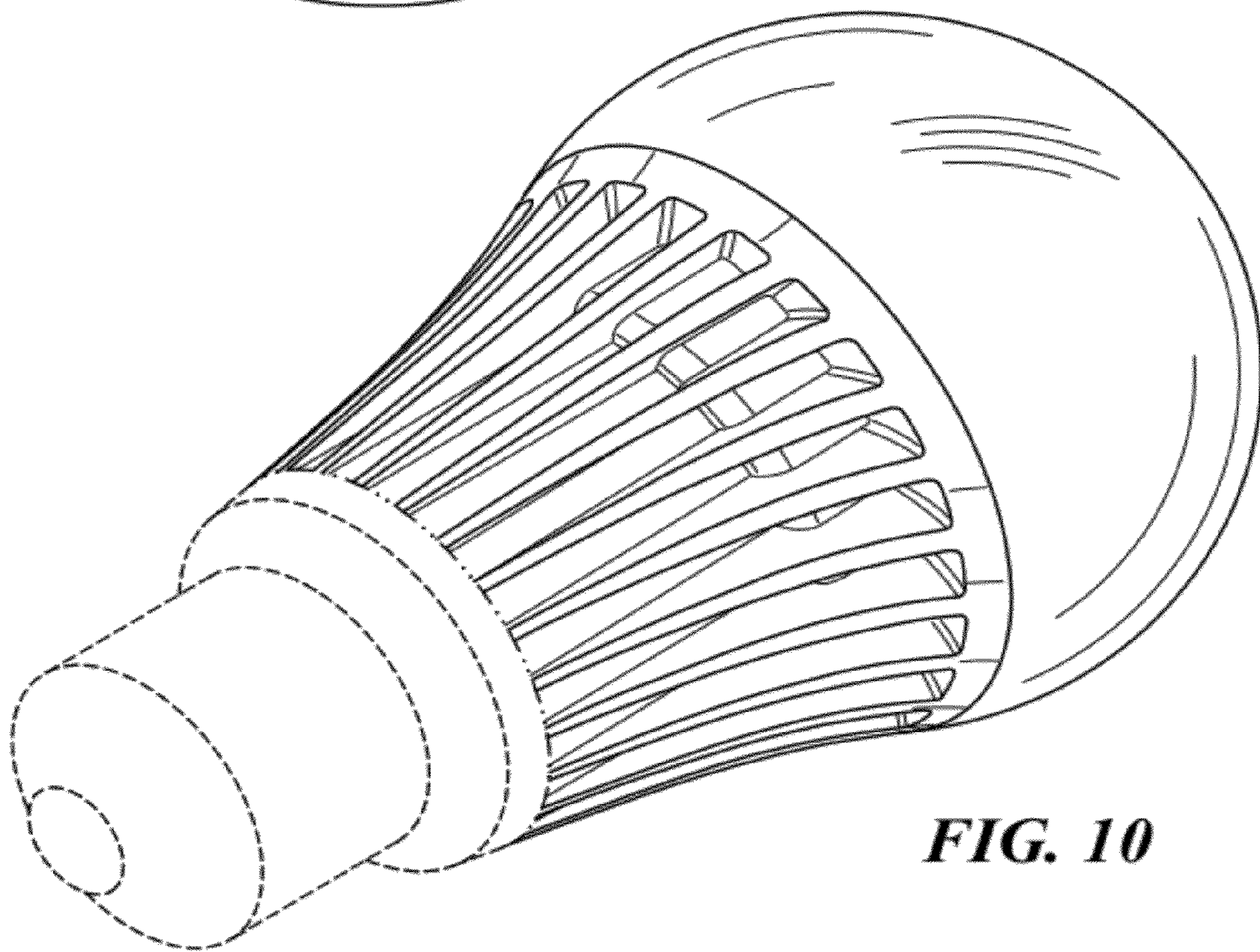
**FIG. 7**



**FIG. 8**



**FIG. 9**



**FIG. 10**