



US00D659264S

(12) **United States Design Patent**
Wennerholm

(10) **Patent No.:** **US D659,264 S**

(45) **Date of Patent:** **** May 8, 2012**

(54) **CLIP MOLDING**

(76) Inventor: **Patrik Wennerholm**, Tyresö (SE)

(**) Term: **14 Years**

(21) Appl. No.: **29/311,320**

(22) Filed: **Feb. 18, 2009**

(30) **Foreign Application Priority Data**

Aug. 18, 2008 (SE) 2008/0450
Nov. 5, 2008 (EM) 001036495

(51) **LOC (9) Cl.** **25-01**

(52) **U.S. Cl.** **D25/136**

(58) **Field of Classification Search** D25/136,
D25/119, 102, 199; 52/287.1, 288.1, 290
See application file for complete search history.

(56) **References Cited**

U.S. PATENT DOCUMENTS

D299,273 S * 1/1989 Pittman, Jr. D25/119
D300,465 S * 3/1989 Nicholas D25/119
D363,453 S * 10/1995 Herdt D11/78.1

D382,592 S * 8/1997 Maruchi D19/32
D426,003 S * 5/2000 Neuhofer, Jr. D25/199
6,457,218 B1 * 10/2002 Lawrence 24/563
D529,631 S * 10/2006 Folliard D25/119
D529,632 S * 10/2006 Folliard D25/119
D532,911 S * 11/2006 Gardner D25/136

* cited by examiner

Primary Examiner — Mark Goodwin

(74) *Attorney, Agent, or Firm* — Birch, Stewart, Kolasch & Birch, LLP

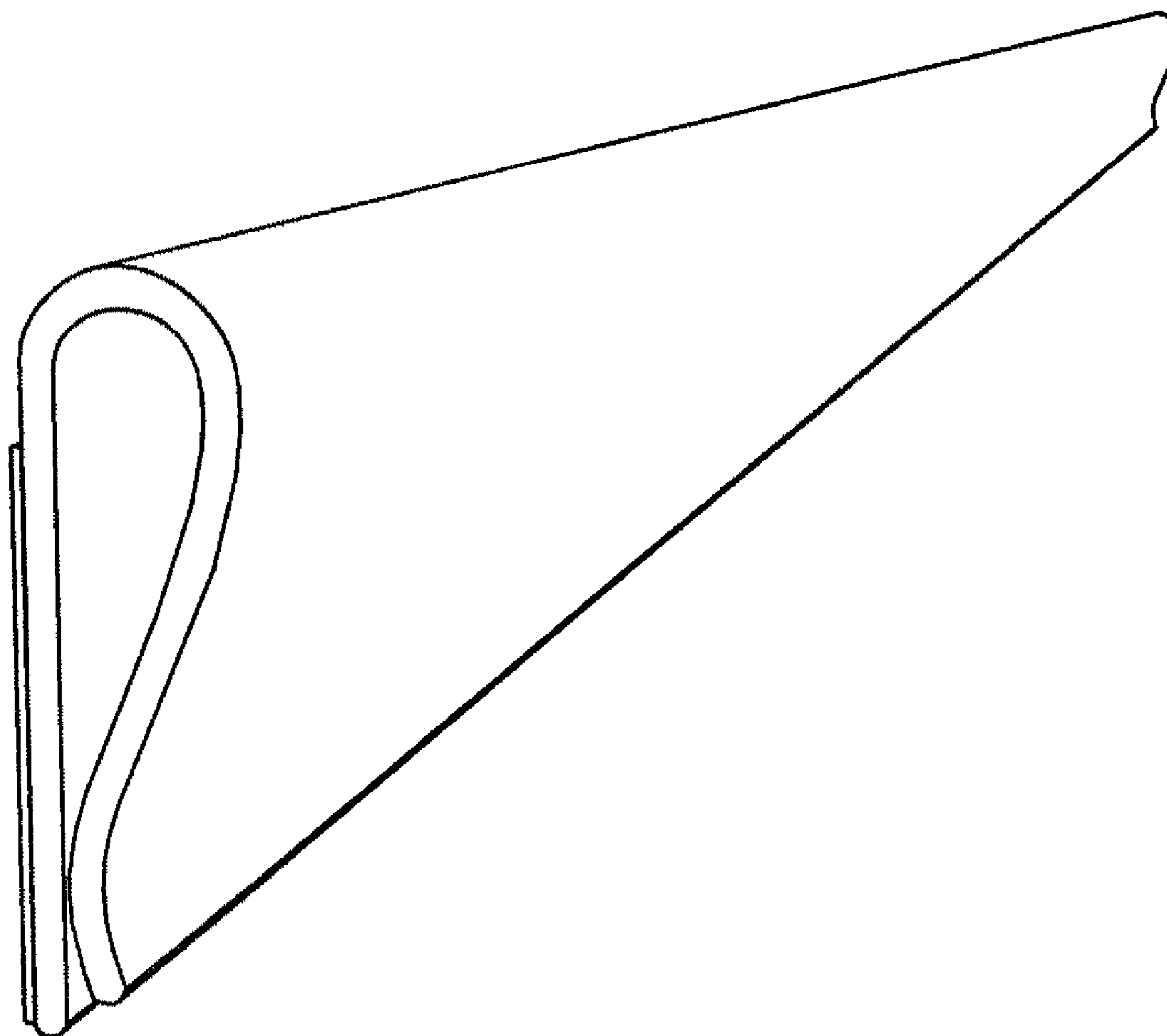
(57) **CLAIM**

The ornamental design for a clip molding, as shown and described.

DESCRIPTION

FIG. 1 is a front, left perspective view of a clip molding showing my new design;
FIG. 2 is a rear, left perspective view thereof; and,
FIG. 3 is a left side view thereof, the right side view being a mirror image thereof.

1 Claim, 1 Drawing Sheet



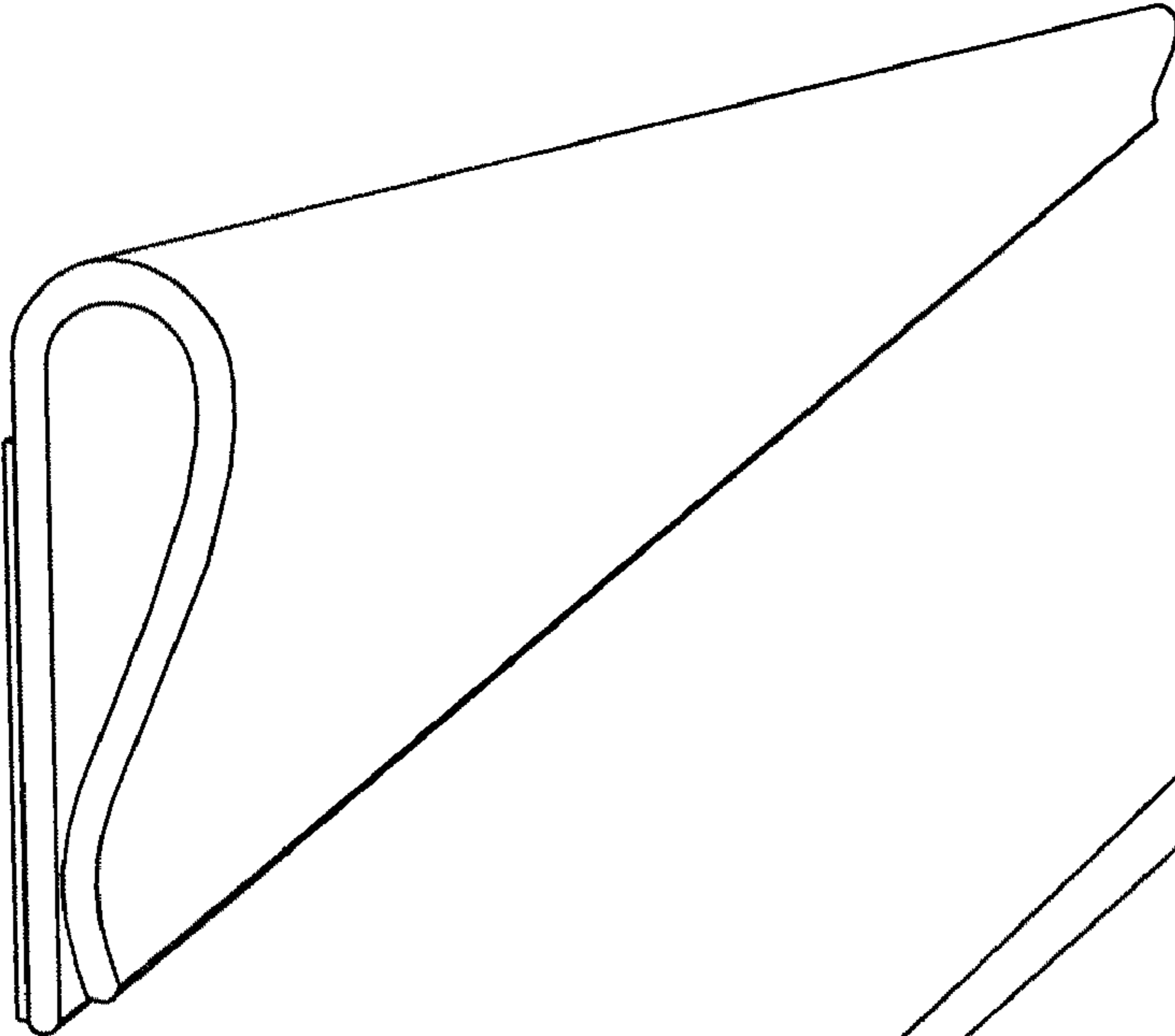


Figure 1

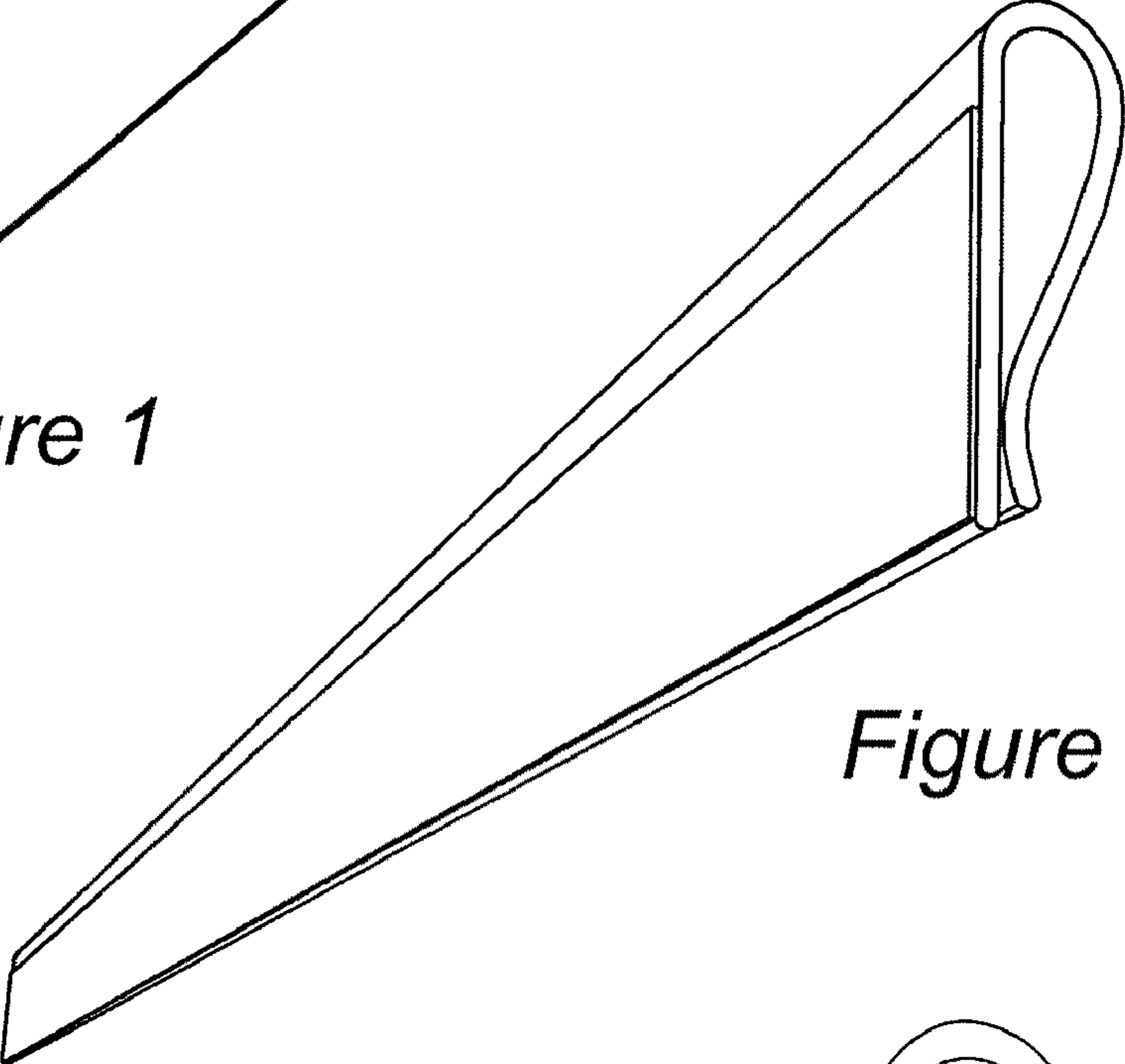


Figure 2

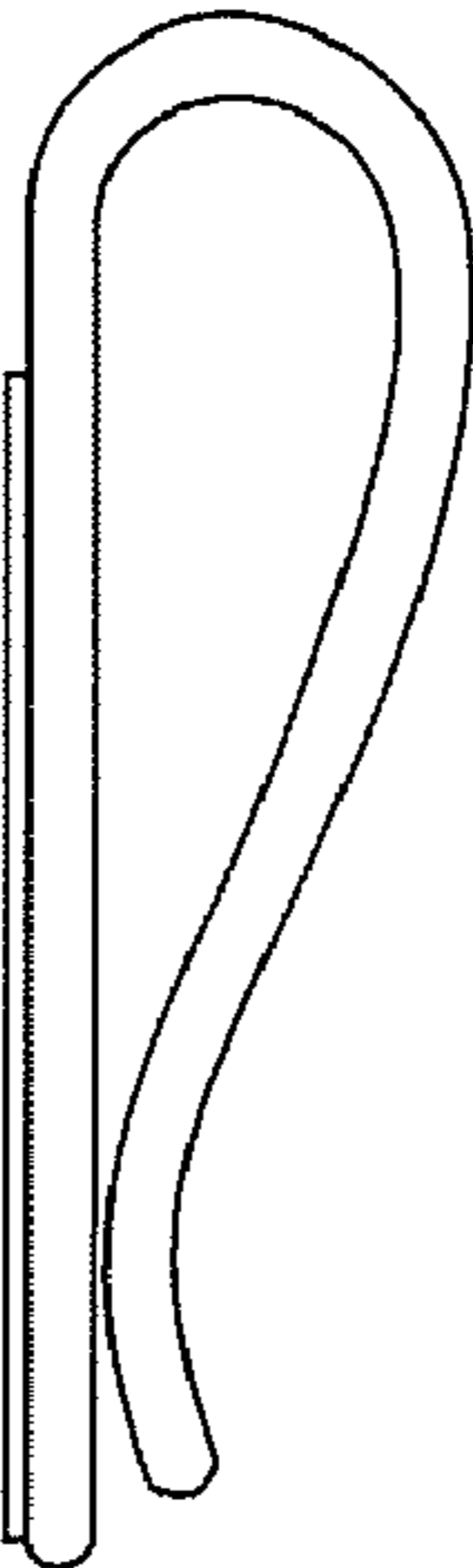


Figure 3