



US00D659263S

(12) **United States Design Patent**  
**Jacot et al.**

(10) **Patent No.:** **US D659,263 S**

(45) **Date of Patent:** **\*\* \*May 8, 2012**

(54) **BUILDING UNIT**

(75) Inventors: **Gregory Allen Jacot**, Slinger, WI (US);  
**William Charles Leonhardt**, Glenn Heights, TX (US)

(73) Assignee: **Oldcastle Architectural, Inc.**, Atlanta, GA (US)

(\*) Notice: This patent is subject to a terminal disclaimer.

(\*\*) Term: **14 Years**

(21) Appl. No.: **29/383,627**

(22) Filed: **Jan. 20, 2011**

**Related U.S. Application Data**

(62) Division of application No. 29/358,126, filed on Mar. 23, 2010, now Pat. No. Des. 633,630, which is a division of application No. 29/295,833, filed on Oct. 9, 2007, now Pat. No. Des. 615,216.

(51) **LOC (9) Cl.** ..... **25-01**

(52) **U.S. Cl.** ..... **D25/113**

(58) **Field of Classification Search** ..... D25/102,  
D25/112-118, 136, 138, 151, 152, 158, 162,  
D25/164, 199; D21/484-491, 499-504;  
405/16, 284, 286; 52/503-505, 574, 575,  
52/596-612; 404/27-42; 47/33  
See application file for complete search history.

(56) **References Cited**

**U.S. PATENT DOCUMENTS**

1,496,754	A *	6/1924	Eaves	52/503
1,649,367	A	11/1927	Reagan	
1,831,858	A *	11/1931	Haggard	52/606
D186,371	S	10/1959	Johnson	
D192,288	S	2/1962	Mason	
D200,644	S	3/1965	Frete	
D220,622	S	5/1971	Passander	
D245,340	S	8/1977	Johnson	
D255,787	S	7/1980	Morehead, Jr.	
D265,689	S	8/1982	Miniere	

D270,189	S	8/1983	Khoo	
4,426,815	A	1/1984	Brown	
D340,775	S	10/1993	Sauve	
5,502,940	A	4/1996	Fifield	
6,145,266	A	11/2000	VonDross	
D501,934	S	2/2005	Mushett	
6,857,248	B2	2/2005	Ouellet et al.	
D514,233	S	1/2006	Hammer	
D515,709	S	2/2006	Charon	
D539,927	S	4/2007	Whitson	
D578,224	S	10/2008	Lacas	
D579,576	S	10/2008	Lacas	
D584,834	S	1/2009	Lacas	
7,658,050	B2	2/2010	Bouchard et al.	
D615,216	S	5/2010	Jacot et al.	
D633,630	S	3/2011	Jacot et al.	
2002/0174622	A1	11/2002	Ouellet et al.	
2005/0028476	A1	2/2005	Bouchard et al.	
2006/0249881	A1	11/2006	Castonguay et al.	
2007/0193176	A1	8/2007	Bouchard et al.	

\* cited by examiner

*Primary Examiner* — Anhdao Doan

(74) *Attorney, Agent, or Firm* — Kilpatrick Townsend & Stockton LLP

(57) **CLAIM**

The ornamental design for a building unit, as shown and described.

**DESCRIPTION**

FIG. 1 shows a perspective view of a building unit according to the present invention.

FIG. 2 shows a top view of the building unit of FIG. 1.

FIG. 3 shows a bottom view of the building unit of FIG. 1.

FIG. 4 shows a front view of the building unit of FIG. 1, the rear view being a mirror image of the front view.

FIG. 5 shows a right side view of the building unit of FIG. 1.

FIG. 6 shows a left side view of the building unit of FIG. 1.

FIG. 7 shows a perspective view of another building unit according to the present invention.

FIG. 8 shows a top view of the building unit of FIG. 7.

FIG. 9 shows a bottom view of the building unit of FIG. 7.

FIG. 10 shows a front view of the building unit of FIG. 7, the rear view being a mirror image of the front view.

FIG. 11 shows a right side view of the building unit of FIG. 7.

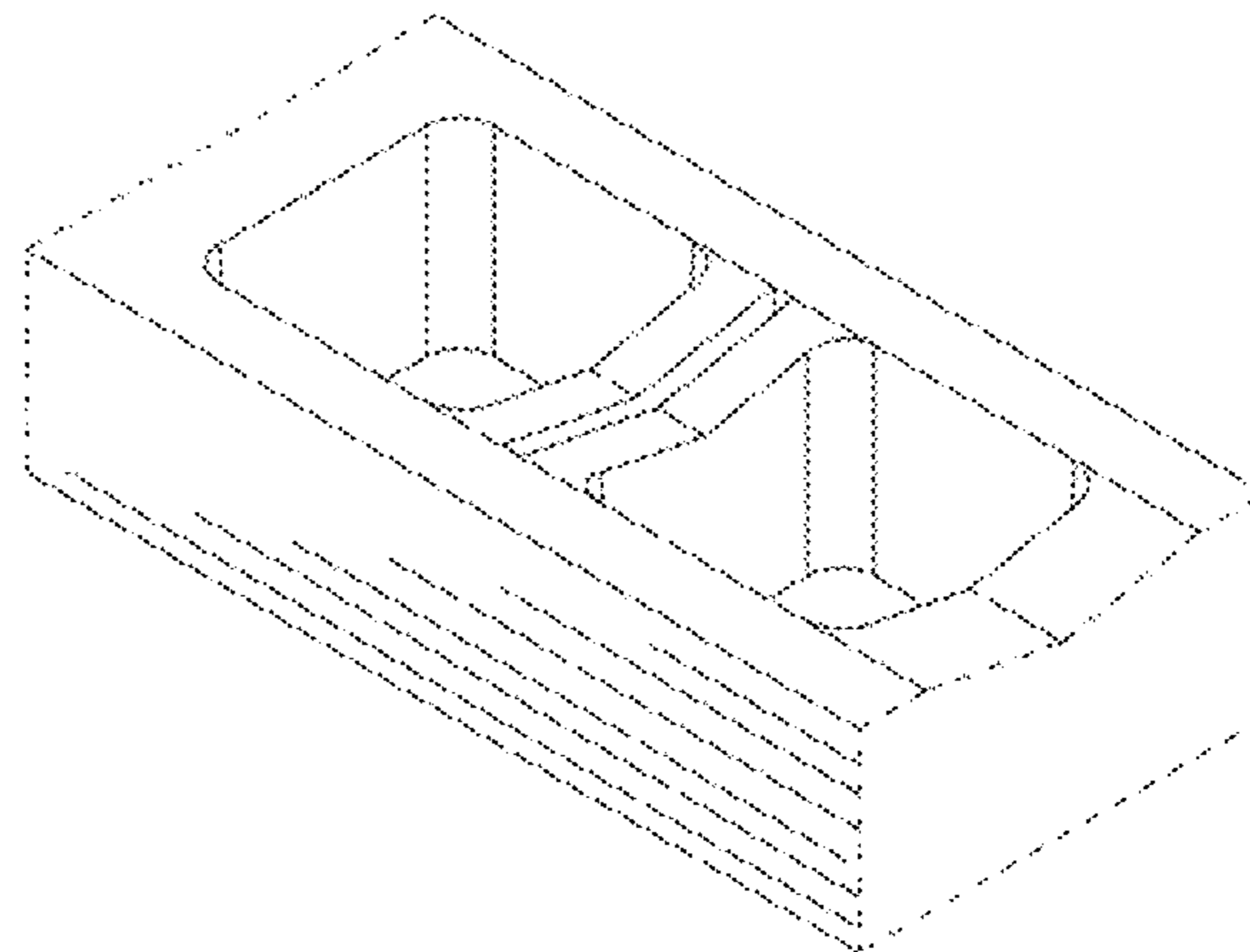
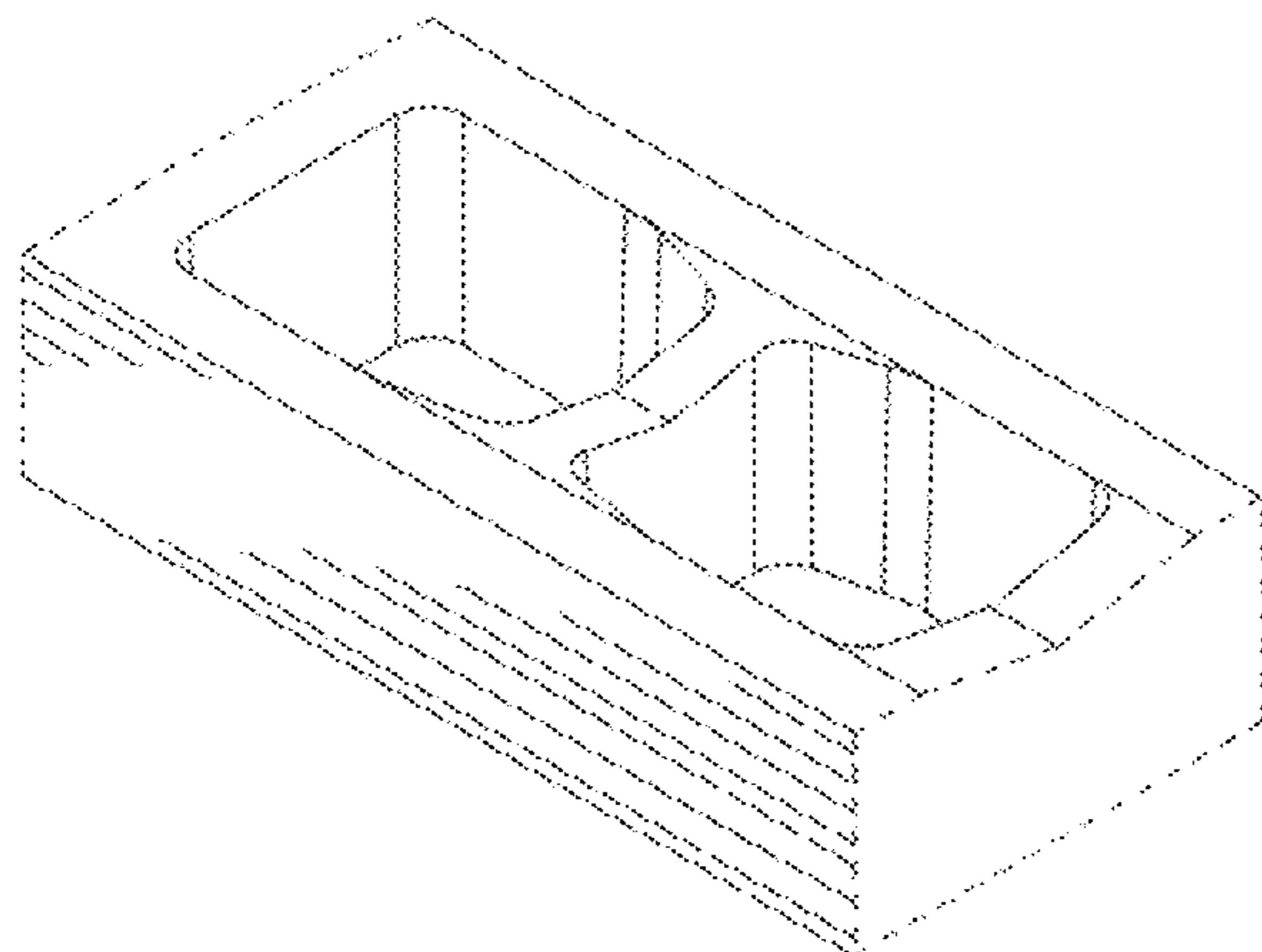


FIG. 12 shows a left side view of the building unit of FIG. 7.  
FIG. 13 shows a perspective view of another building unit according to the present invention.

FIG. 14 shows a top view of the building unit of FIG. 13.

FIG. 15 shows a bottom view of the building unit of FIG. 13.

FIG. 16 shows a front view of the building unit of FIG. 13, the rear view being a mirror image of the front view.

FIG. 17 shows a right side view of the building unit of FIG. 13.

FIG. 18 shows a left side view of the building unit of FIG. 13.

FIG. 19 shows a perspective view of another building unit according to the present invention.

FIG. 20 shows a top view of the building unit of FIG. 19.

FIG. 21 shows a bottom view of the building unit of FIG. 19.

FIG. 22 shows a front view of the building unit of FIG. 19, the rear view being a mirror image of the front view.

FIG. 23 shows a right side view of the building unit of FIG. 19.

FIG. 24 shows a left side view of the building unit of FIG. 19.

FIG. 25 shows a perspective view of another building unit according to the present invention.

FIG. 26 shows a top view of the building unit of FIG. 25.

FIG. 27 shows a bottom view of the building unit of FIG. 25.

FIG. 28 shows a front view of the building unit of FIG. 25, the rear view being a mirror image of the front view.

FIG. 29 shows a right side view of the building unit of FIG. 25.

FIG. 30 shows a left side view of the building unit of FIG. 25.

FIG. 31 shows a perspective view of another building unit according to the present invention.

FIG. 32 shows a top view of the building unit of FIG. 31.

FIG. 33 shows a bottom view of the building unit of FIG. 31.

FIG. 34 shows a front view of the building unit of FIG. 31, the rear view being a mirror image of the front view.

FIG. 35 shows a right side view of the building unit of FIG. 31.

FIG. 36 shows a left side view of the building unit of FIG. 31.

FIG. 37 shows a perspective view of another building unit according to the present invention.

FIG. 38 shows a top view of the building unit of FIG. 37.

FIG. 39 shows a bottom view of the building unit of FIG. 37.

FIG. 40 shows a front view of the building unit of FIG. 37, the rear view being a mirror image of the front view.

FIG. 41 shows a right side view of the building unit of FIG. 37.

FIG. 42 shows a left side view of the building unit of FIG. 37.

FIG. 43 shows a perspective view of another building unit according to the present invention.

FIG. 44 shows a top view of the building unit of FIG. 43.

FIG. 45 shows a bottom view of the building unit of FIG. 43.

FIG. 46 shows a front view of the building unit of FIG. 43, the rear view being a mirror image of the front view.

FIG. 47 shows a right side view of the building unit of FIG. 43; and,

FIG. 48 shows a left side view of the building unit of FIG. 43.

The broken lines in the drawing views are included for the purpose of illustrating portions of the building unit that form no part of the claimed design.

**1 Claim, 25 Drawing Sheets**

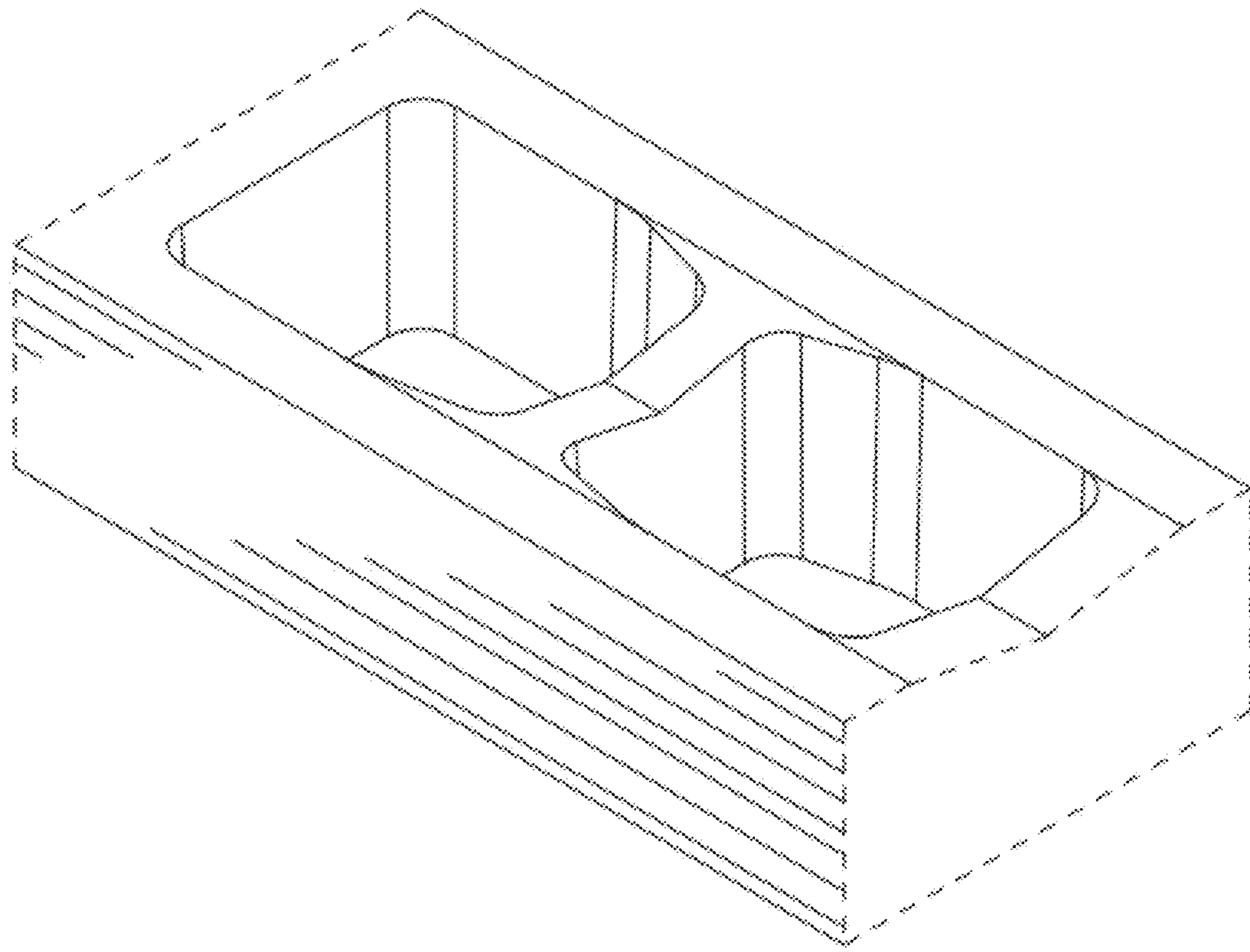


FIG. 1

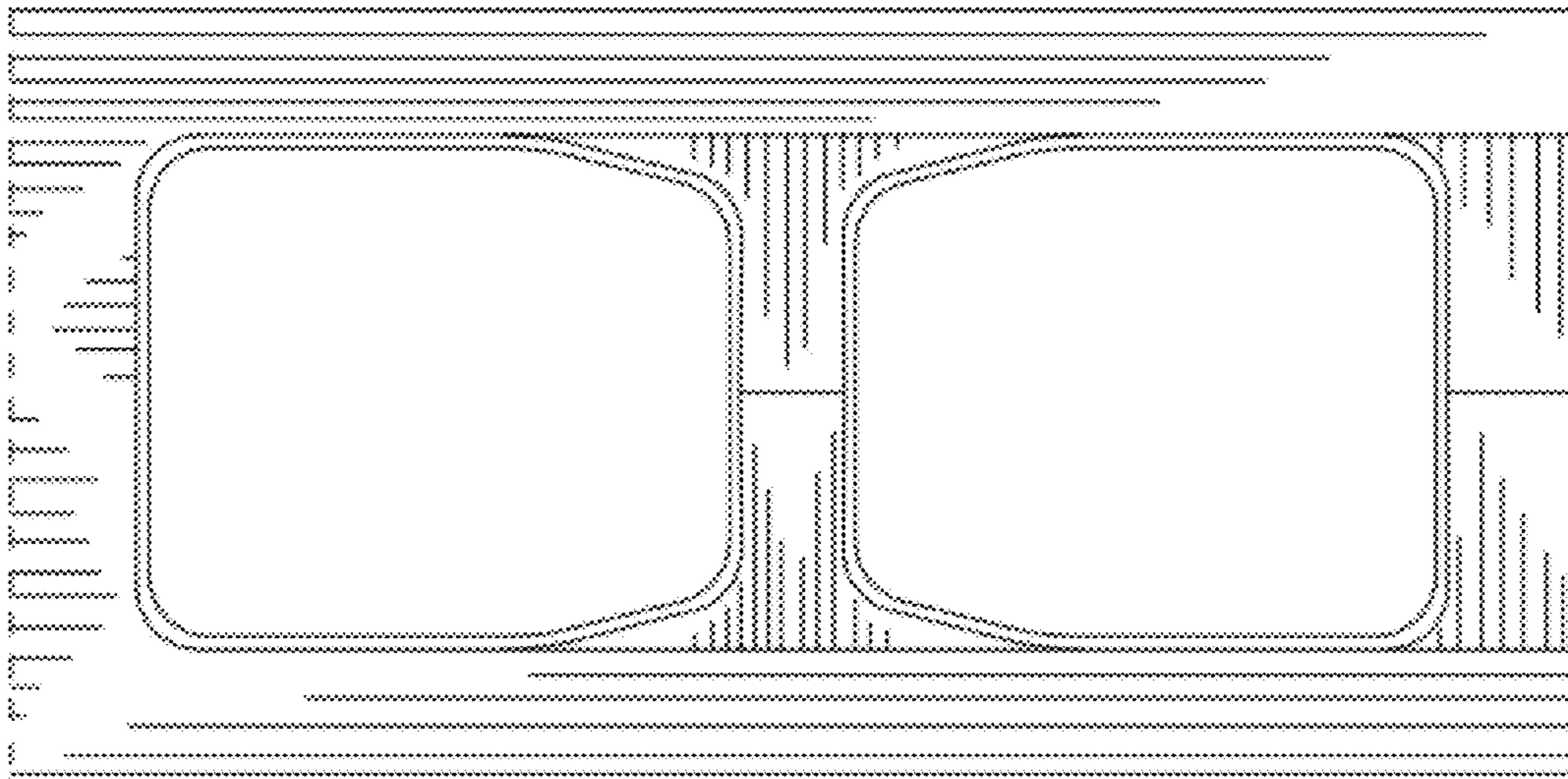


FIG. 2

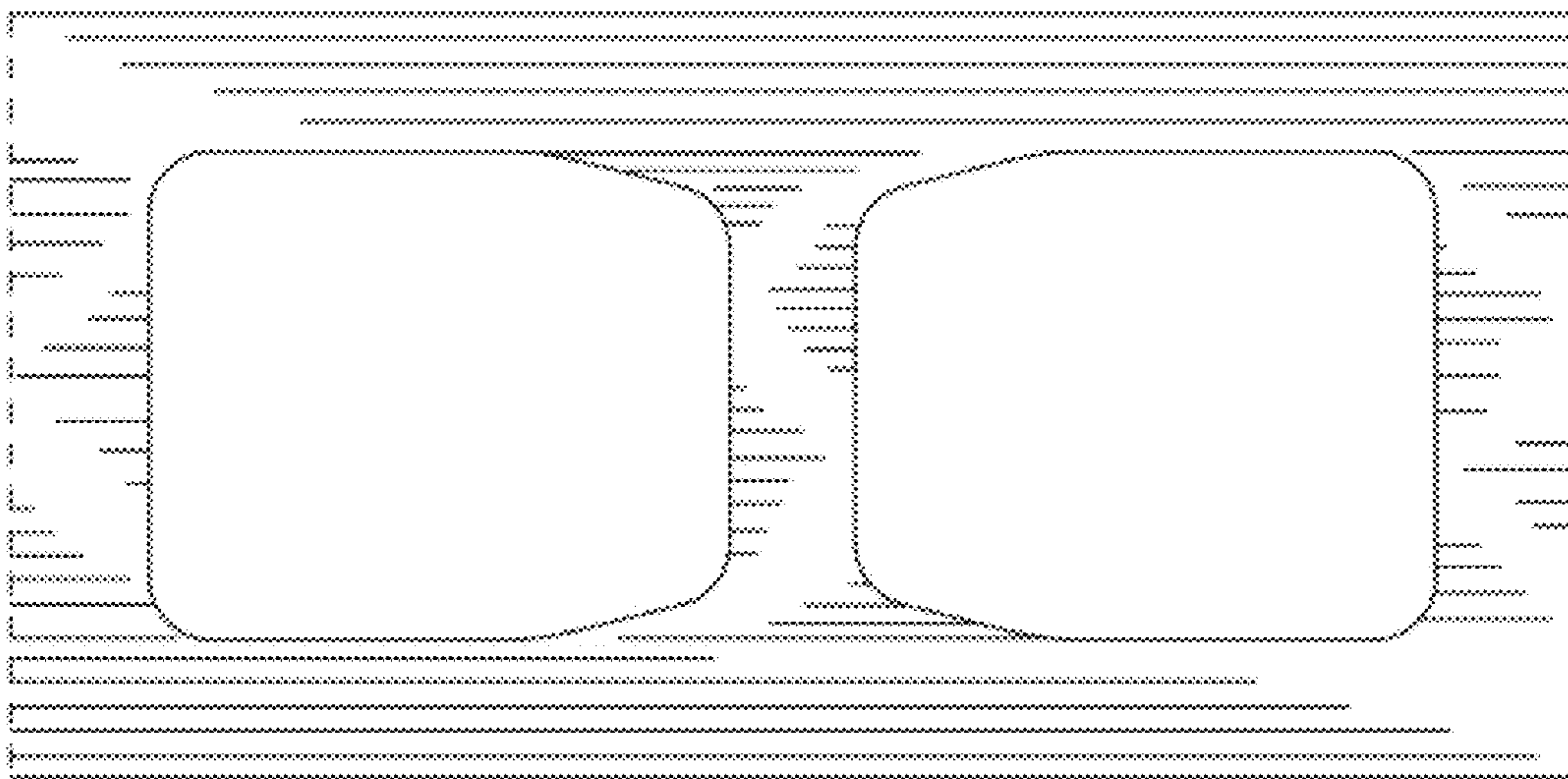


FIG. 3

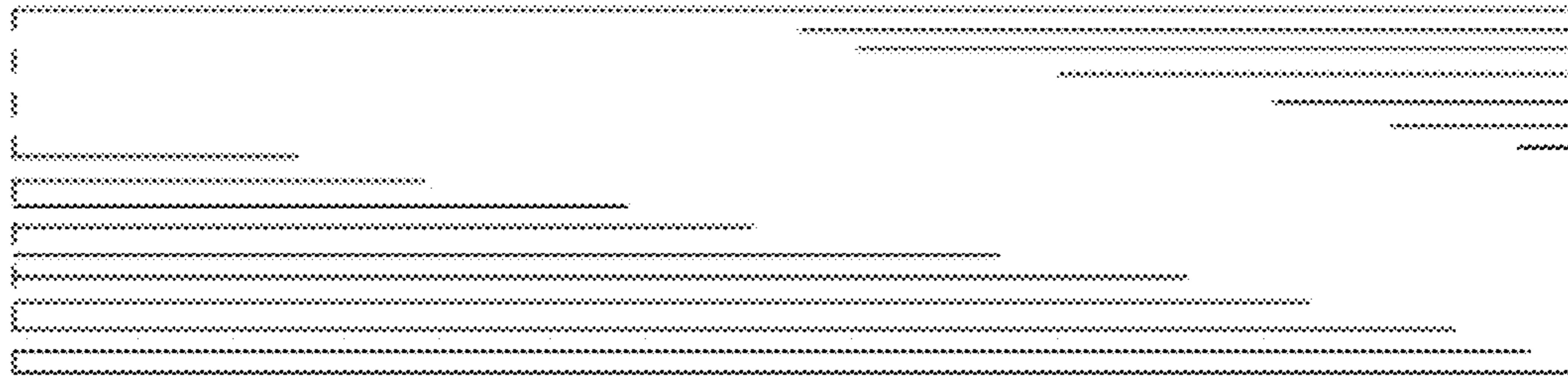


FIG. 4

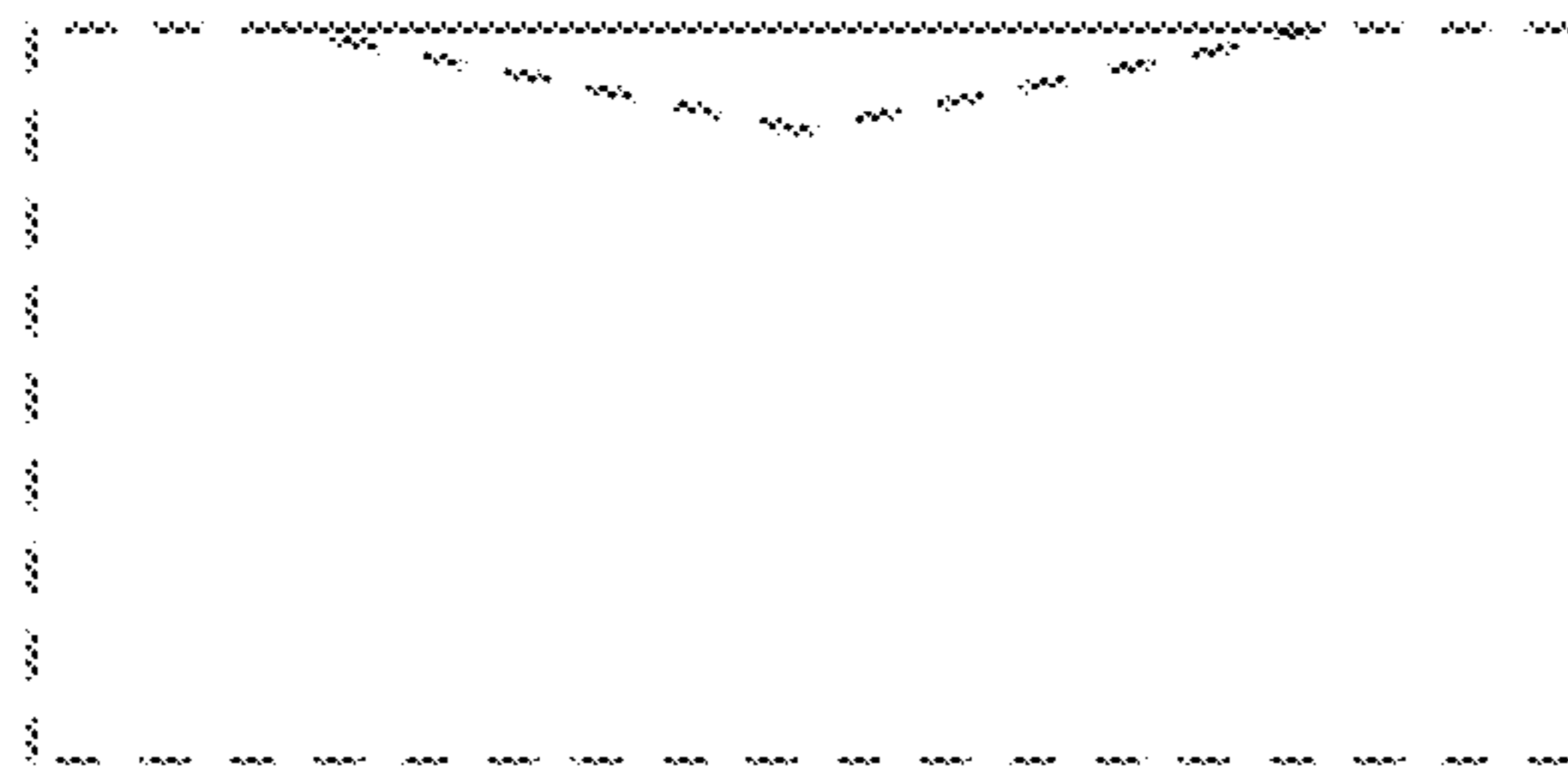


FIG. 5

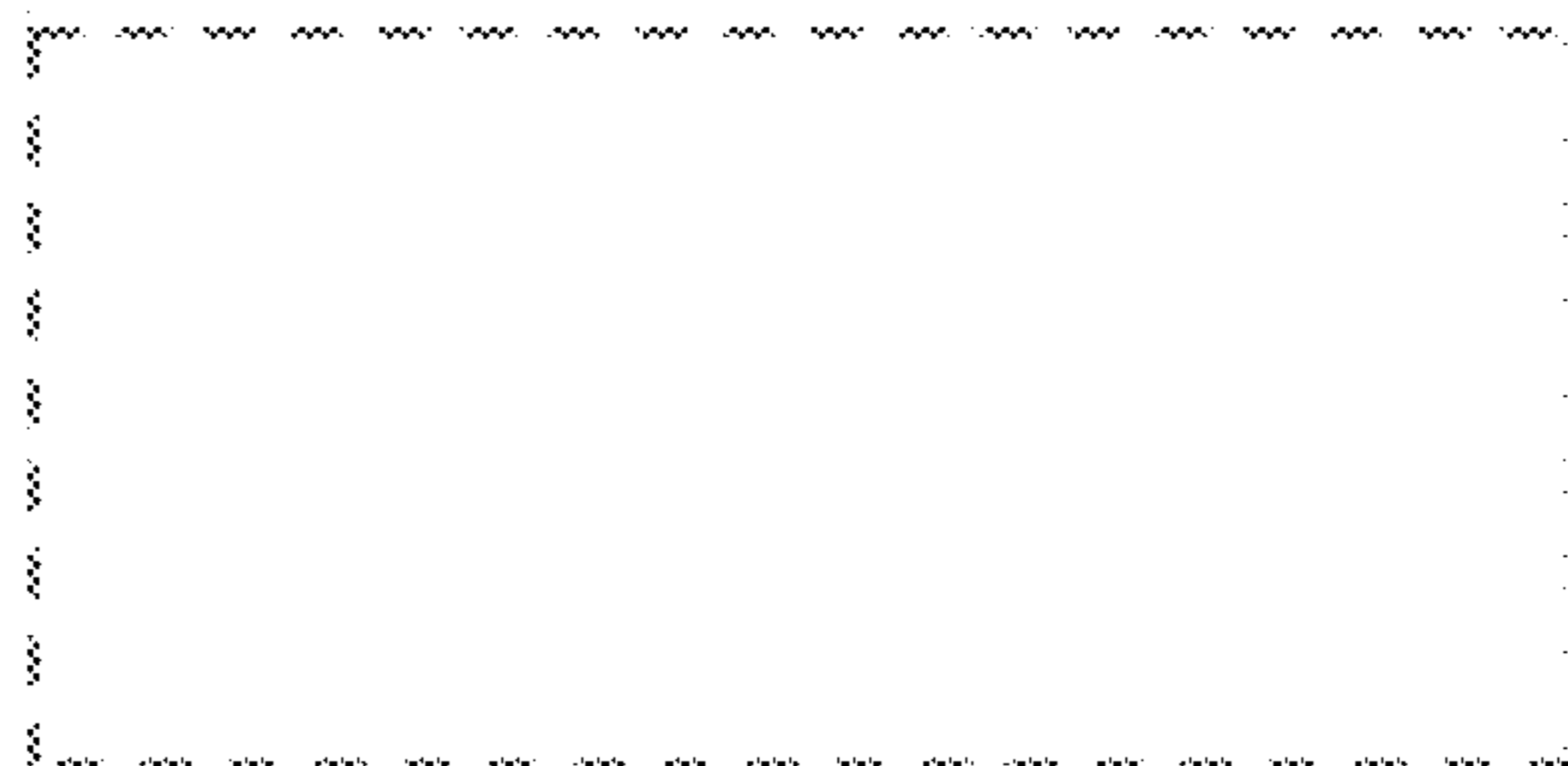


FIG. 6

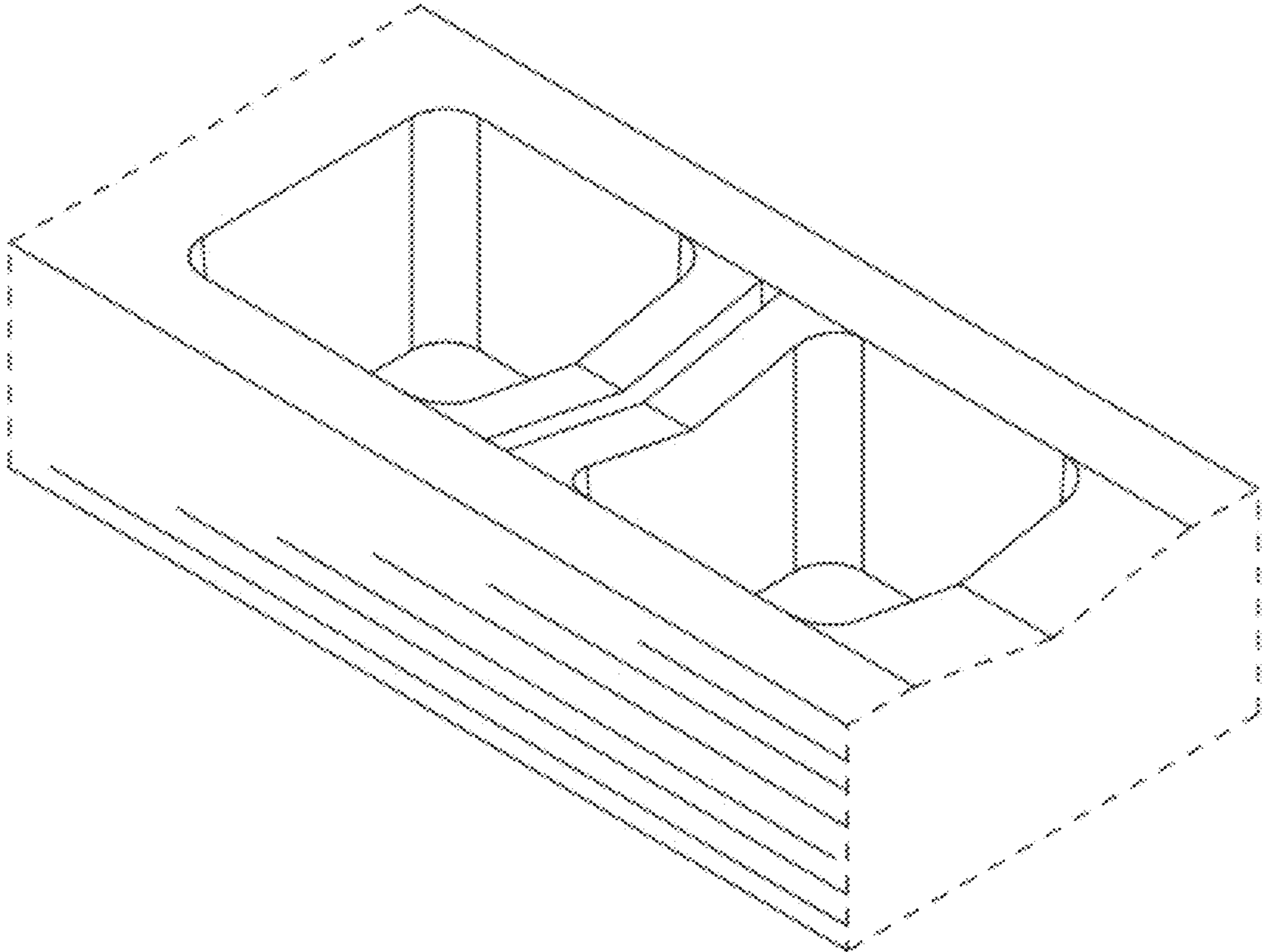


FIG. 7

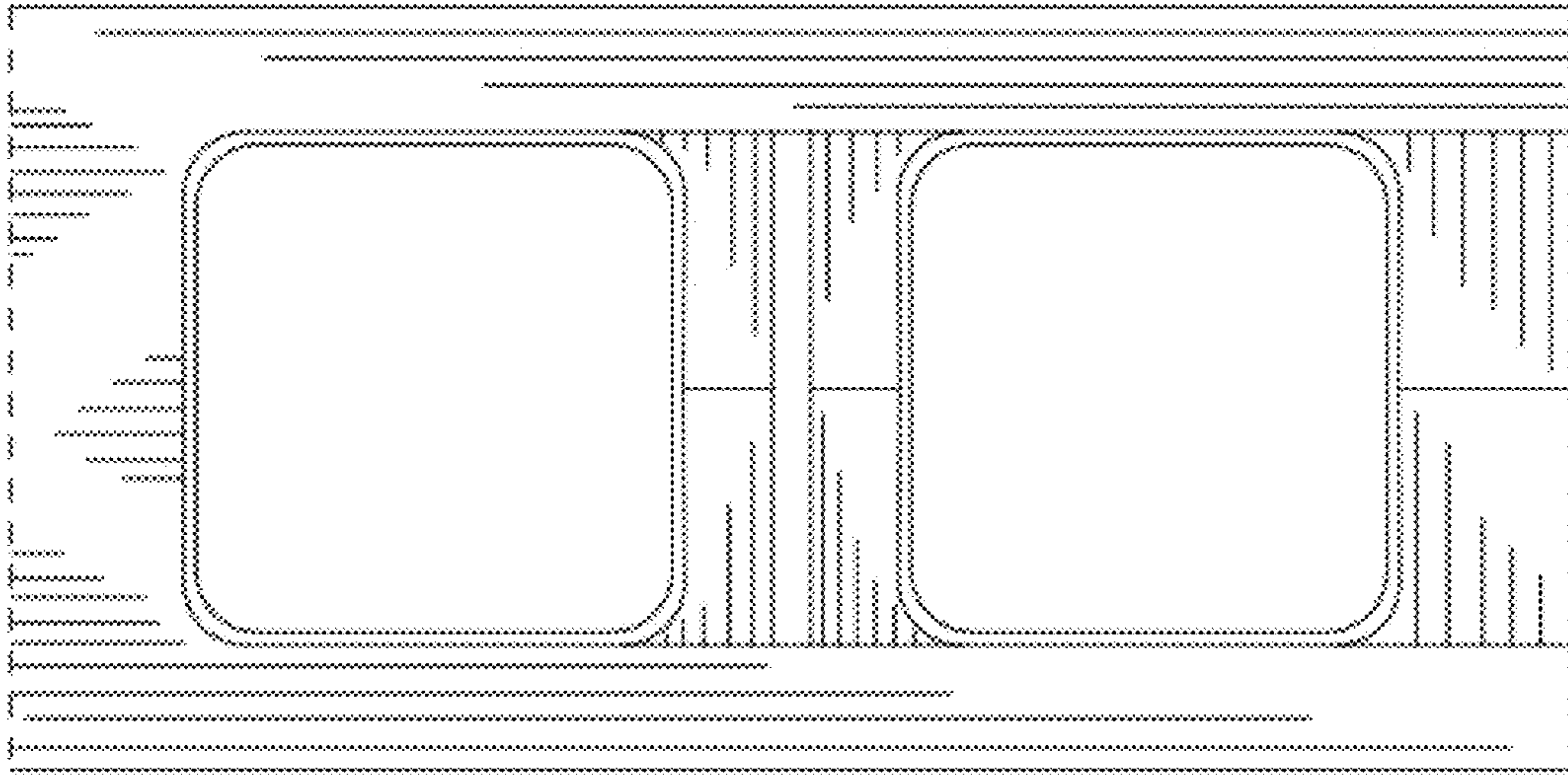


FIG. 8

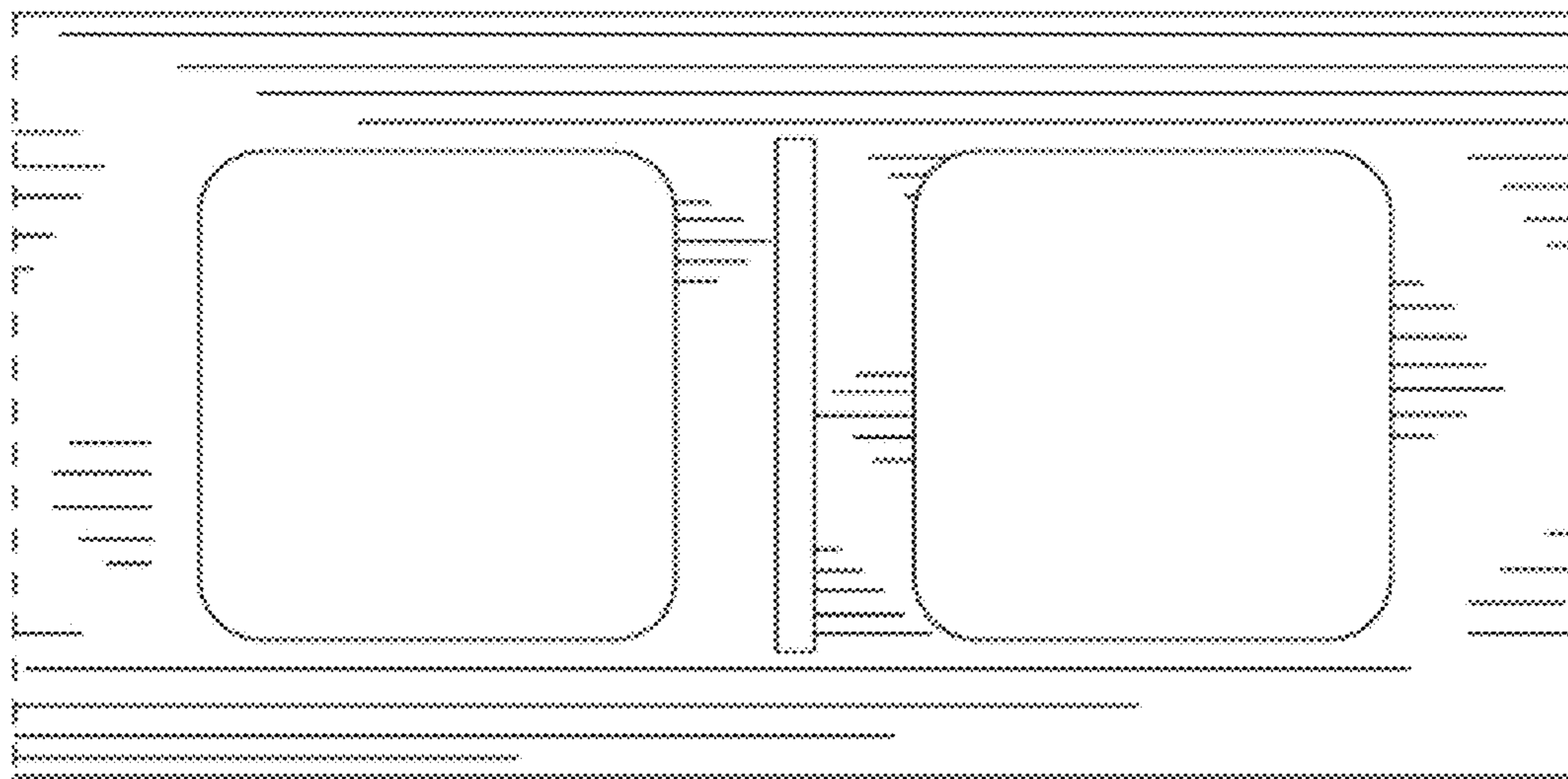


FIG. 9

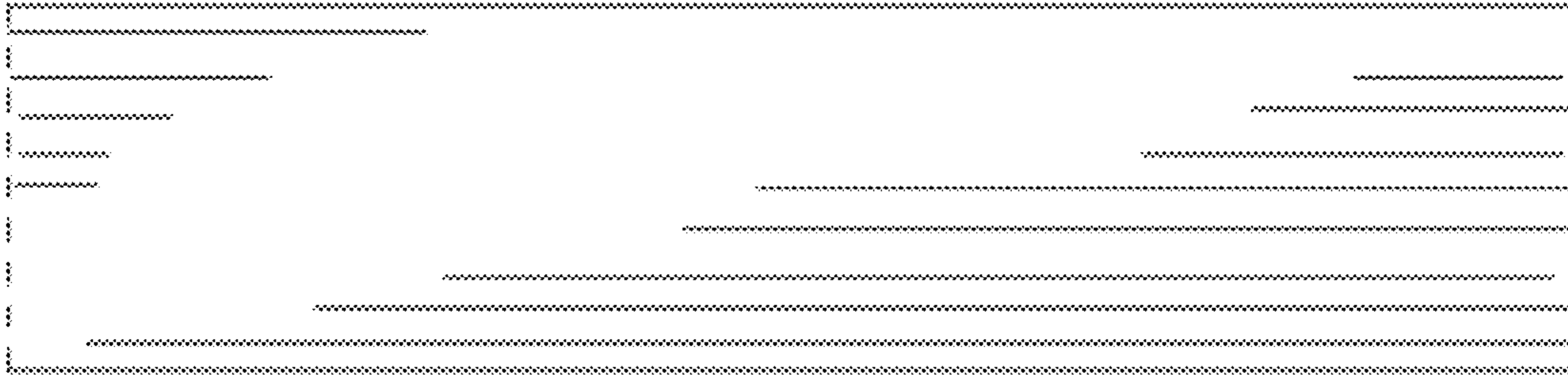


FIG. 10

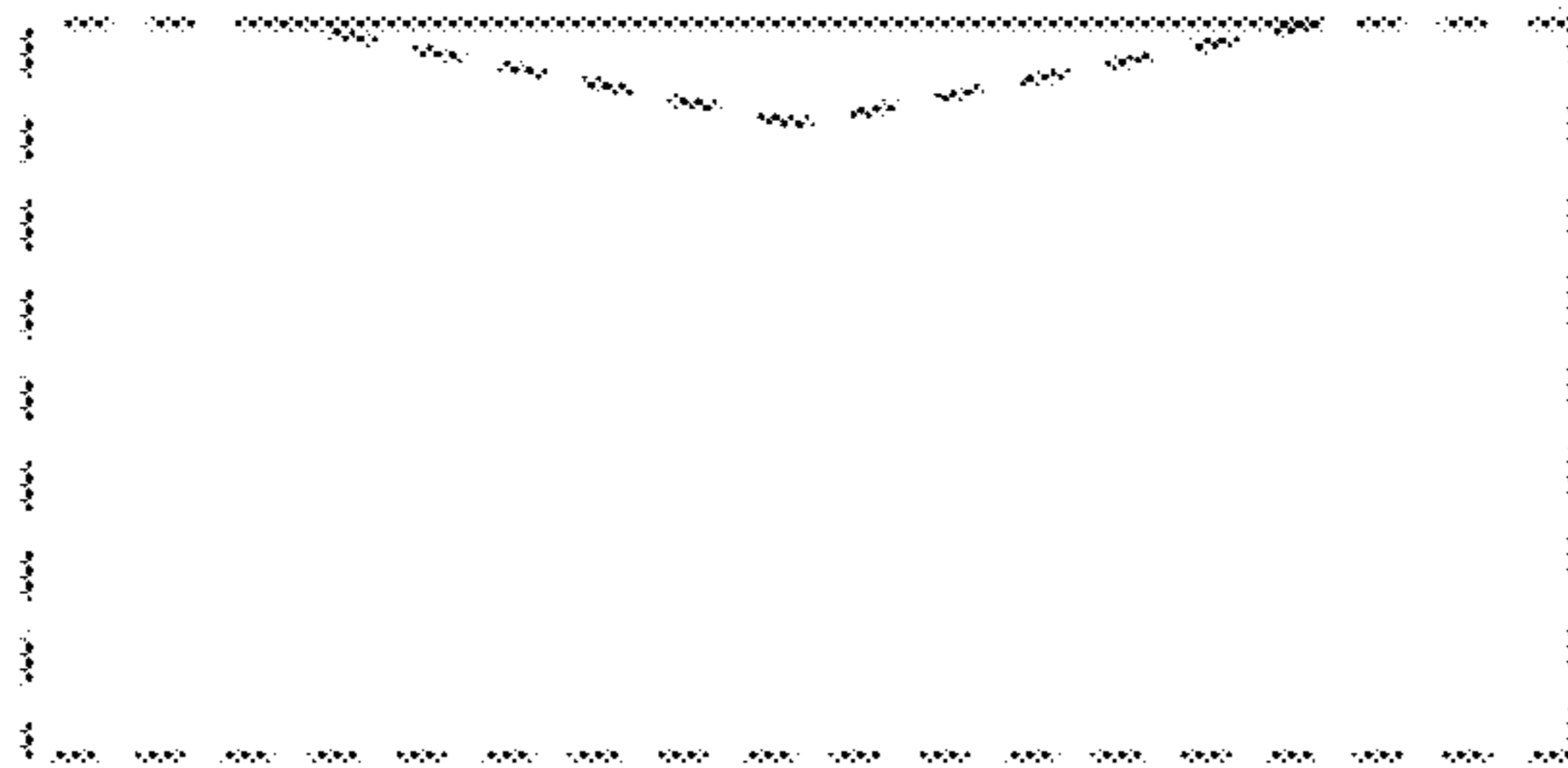


FIG. 11

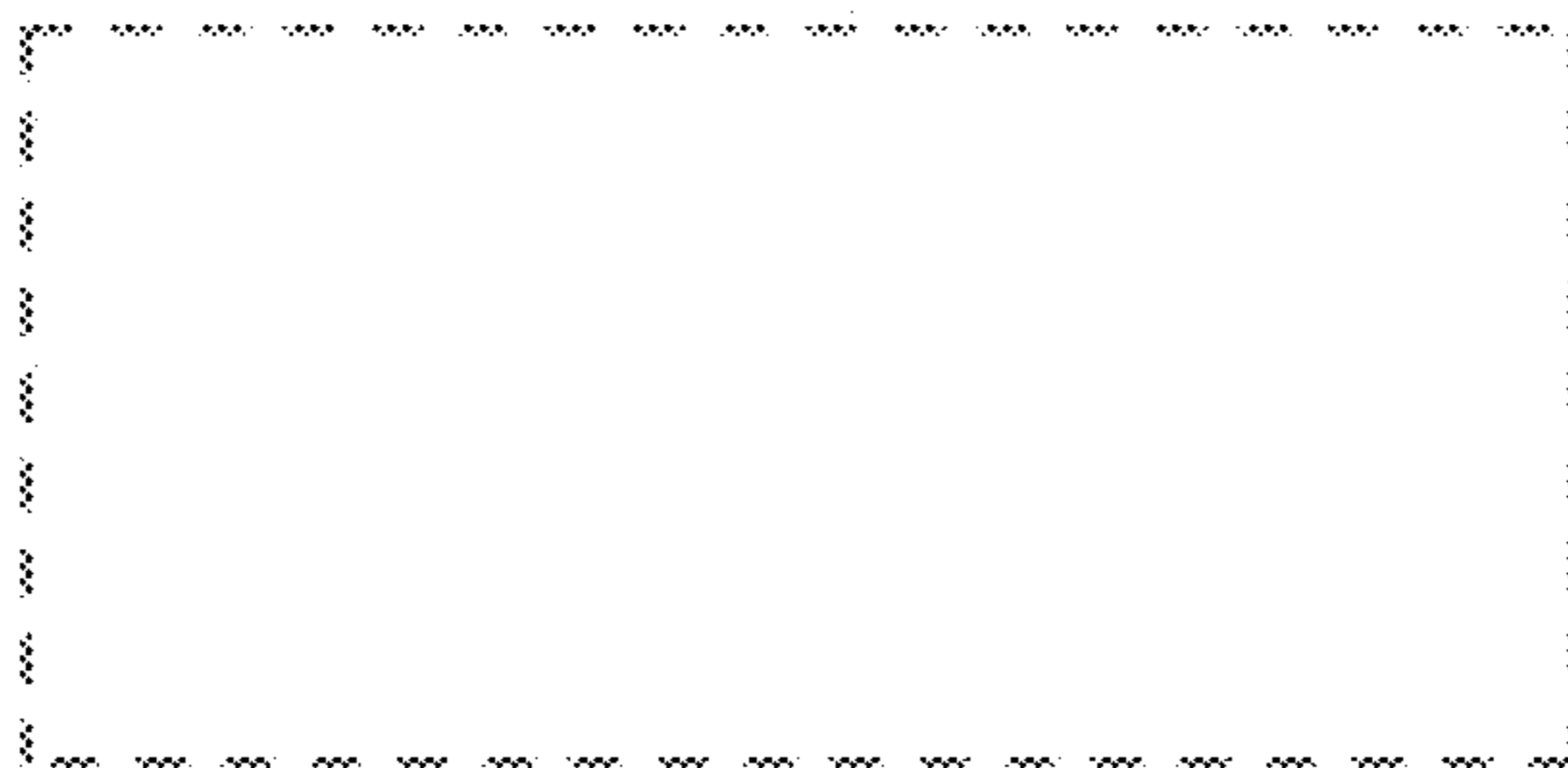


FIG. 12



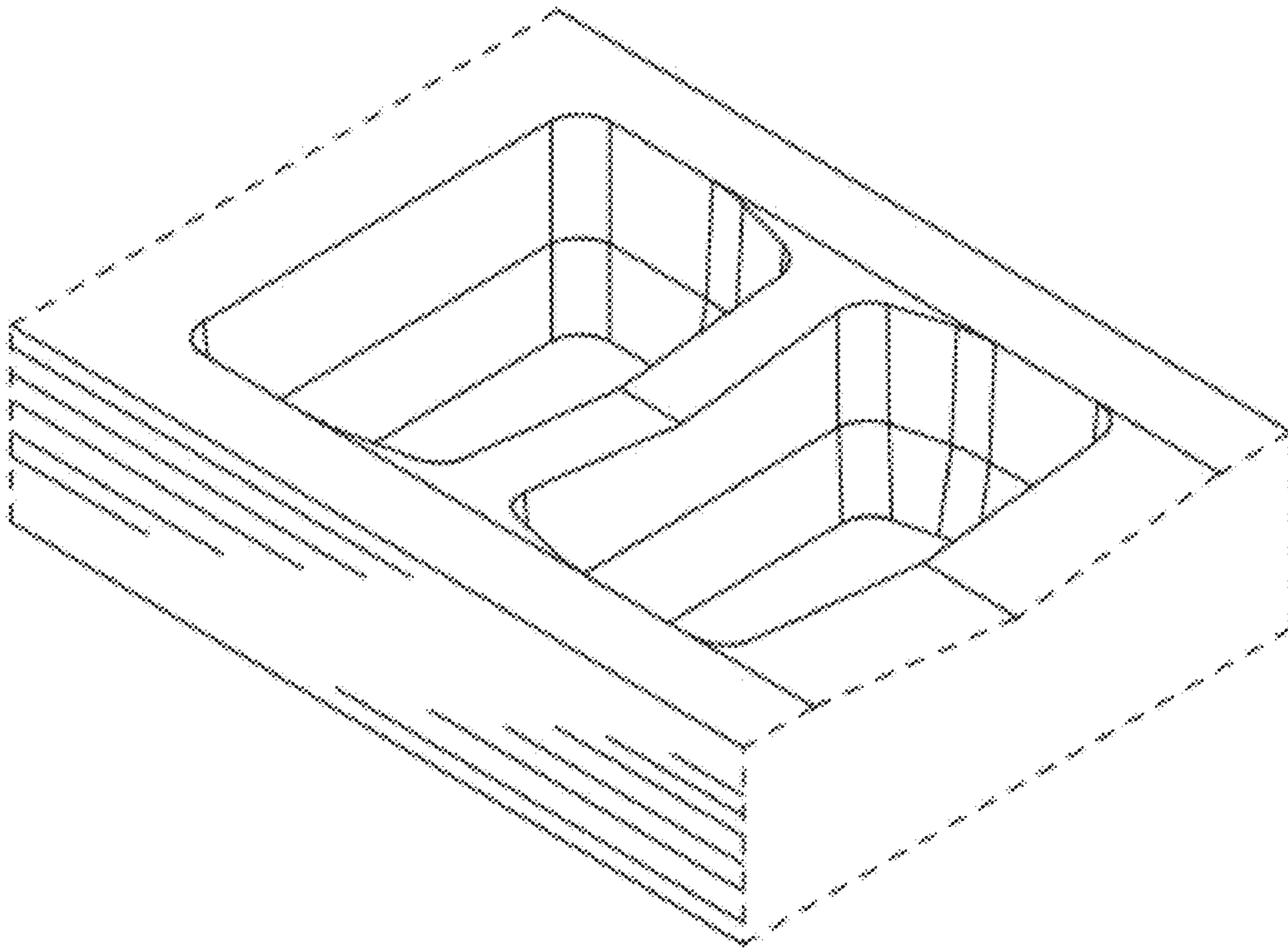


FIG. 13

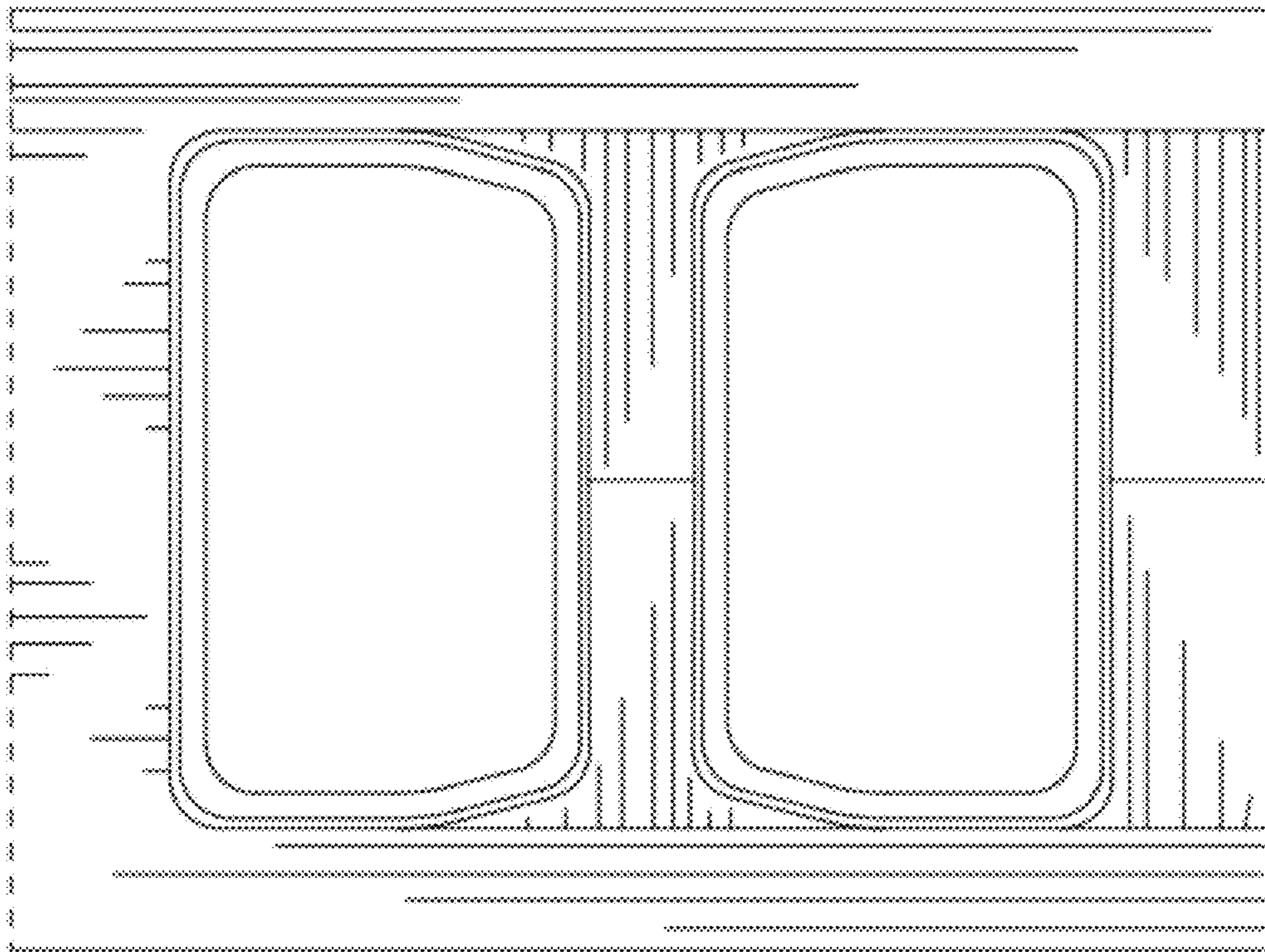


FIG. 14

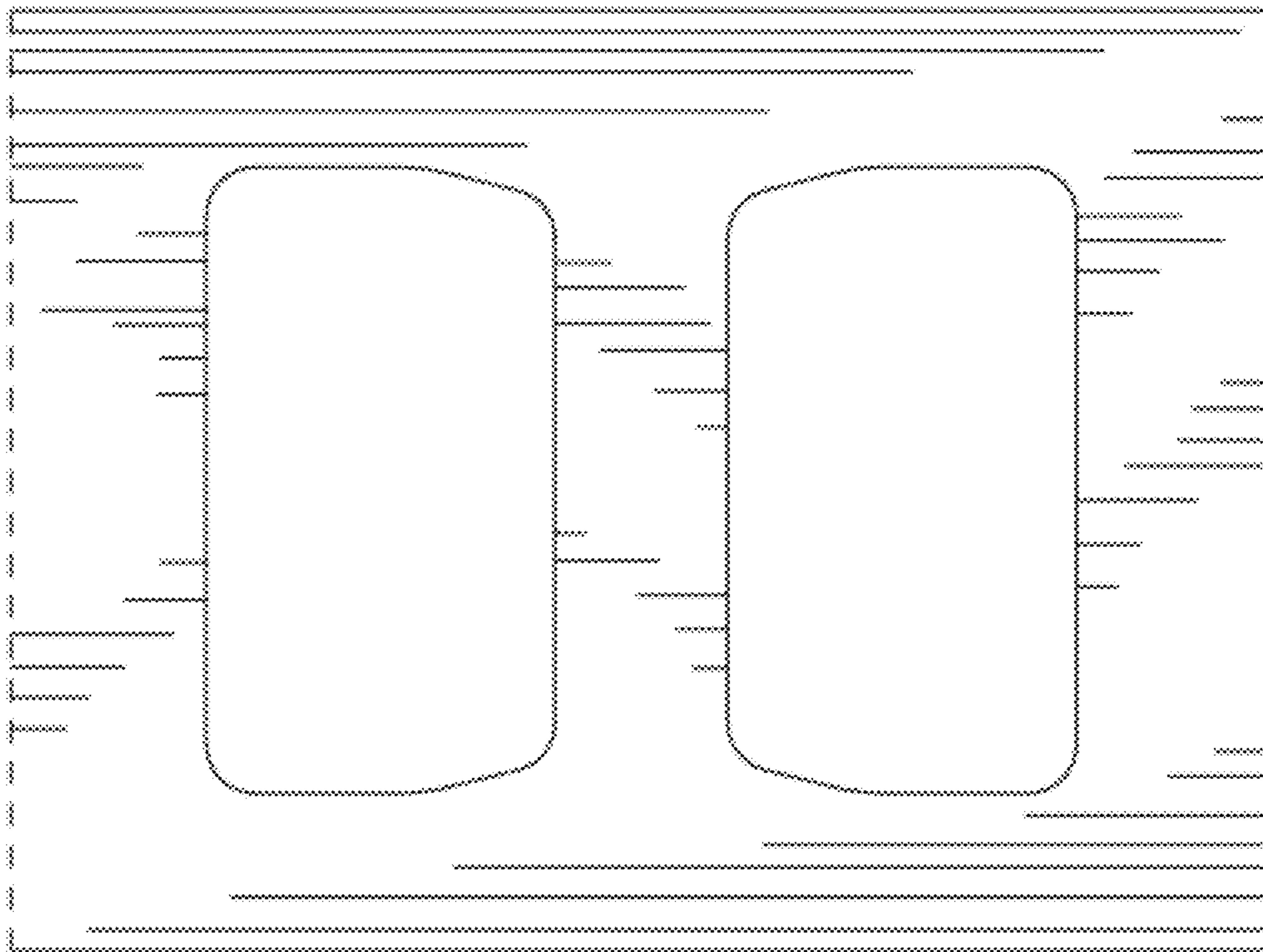


FIG. 15

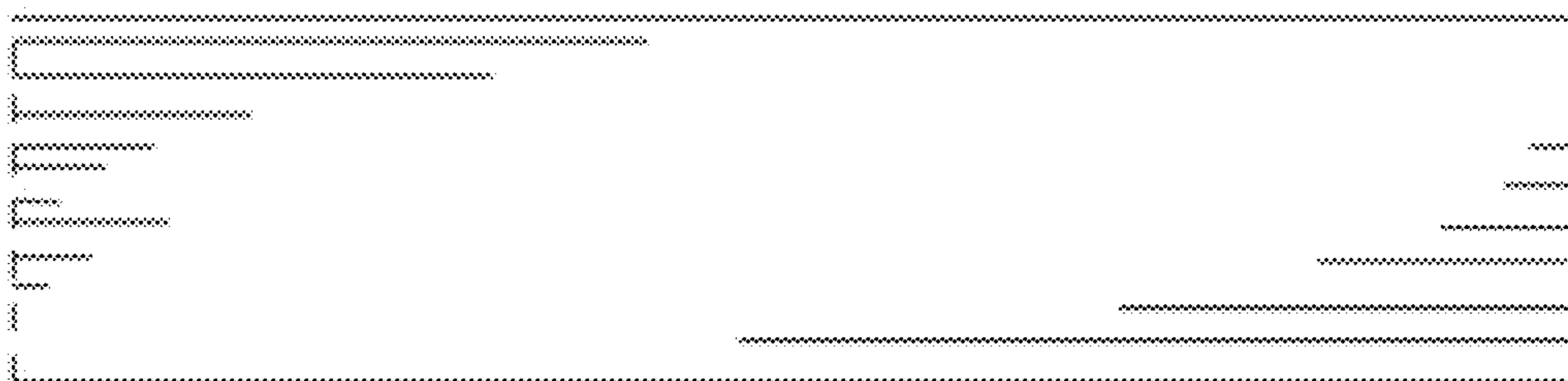


FIG. 16

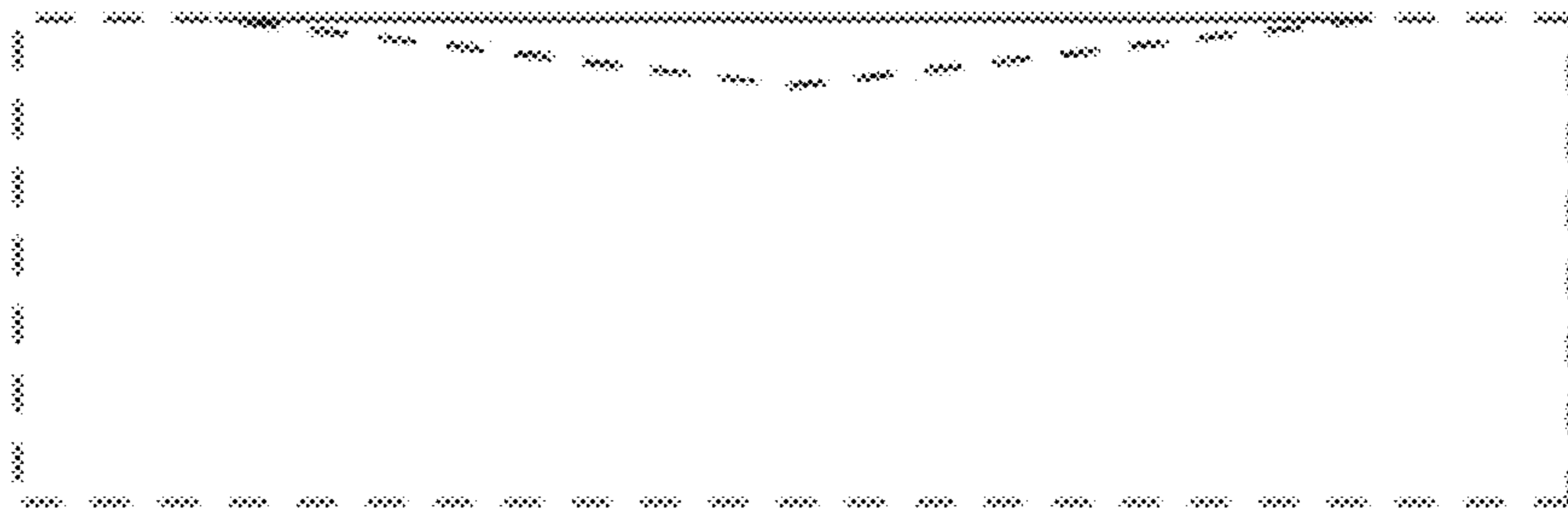


FIG. 17

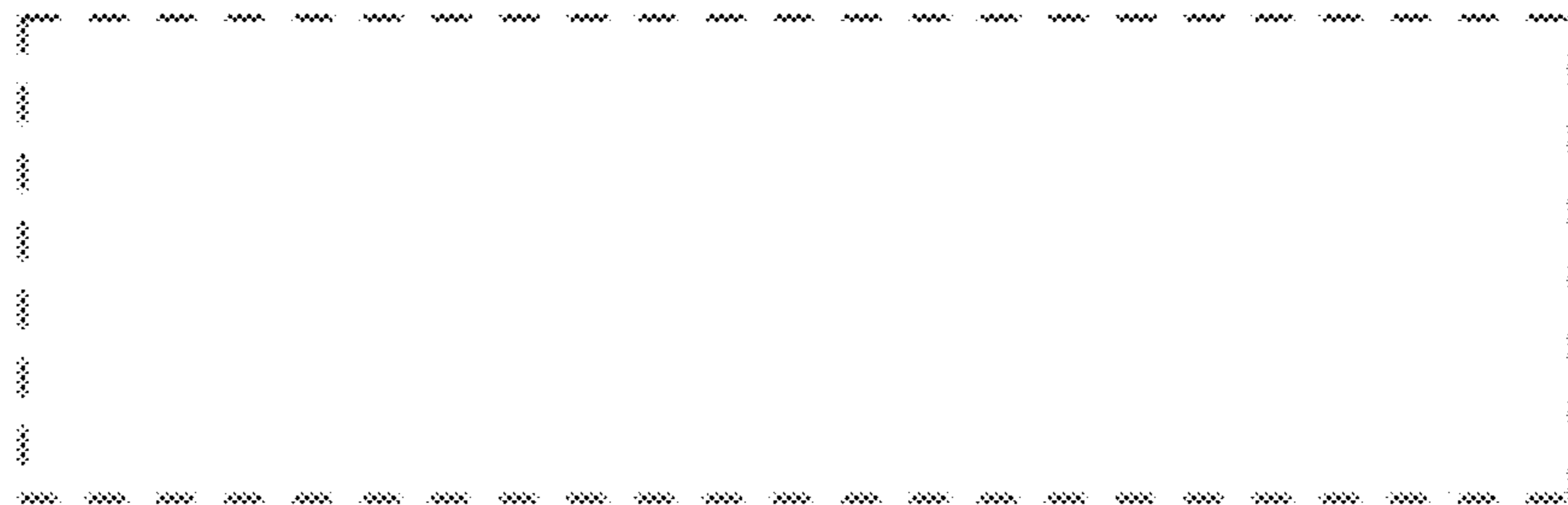


FIG. 18

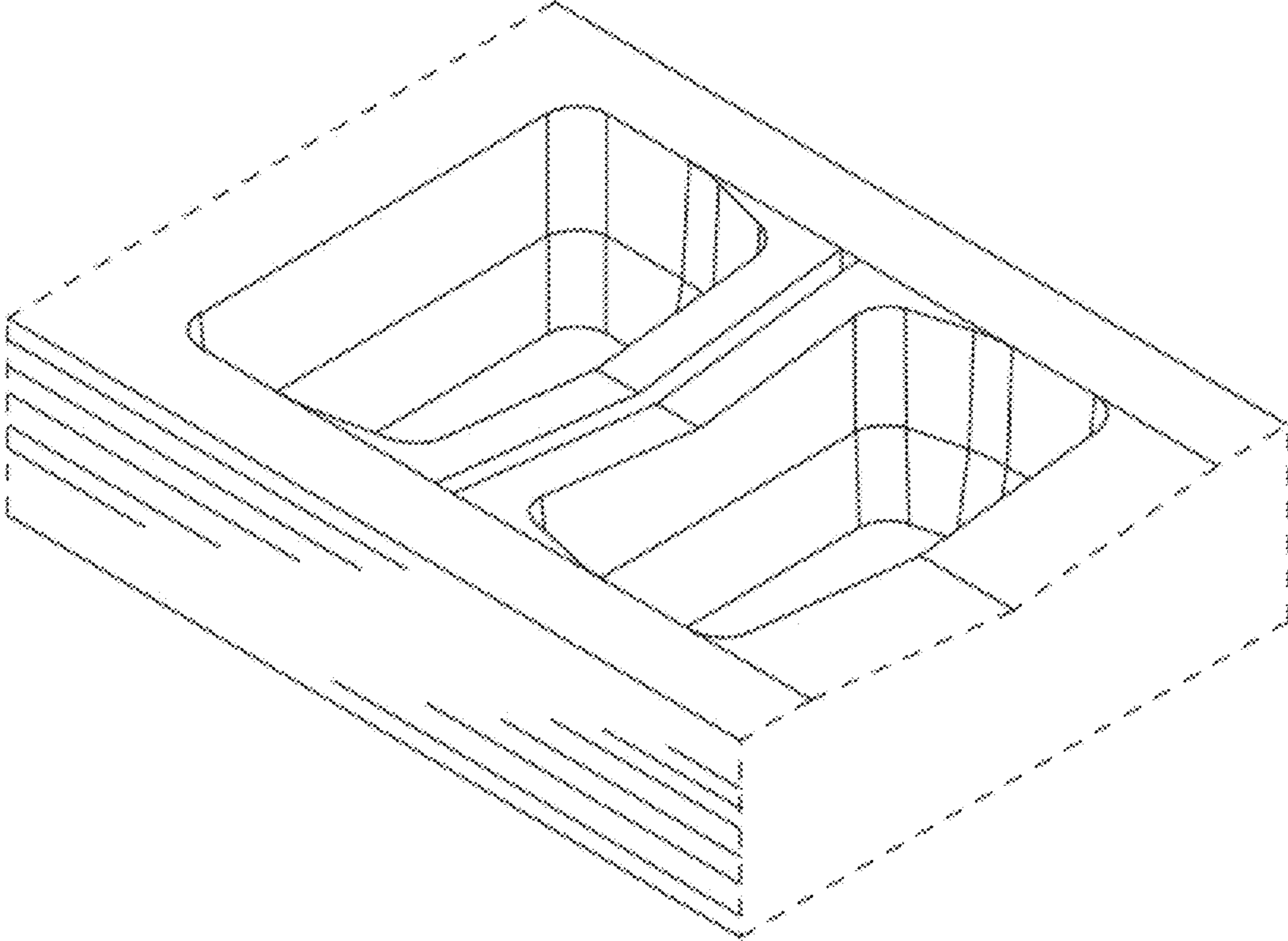


FIG. 19

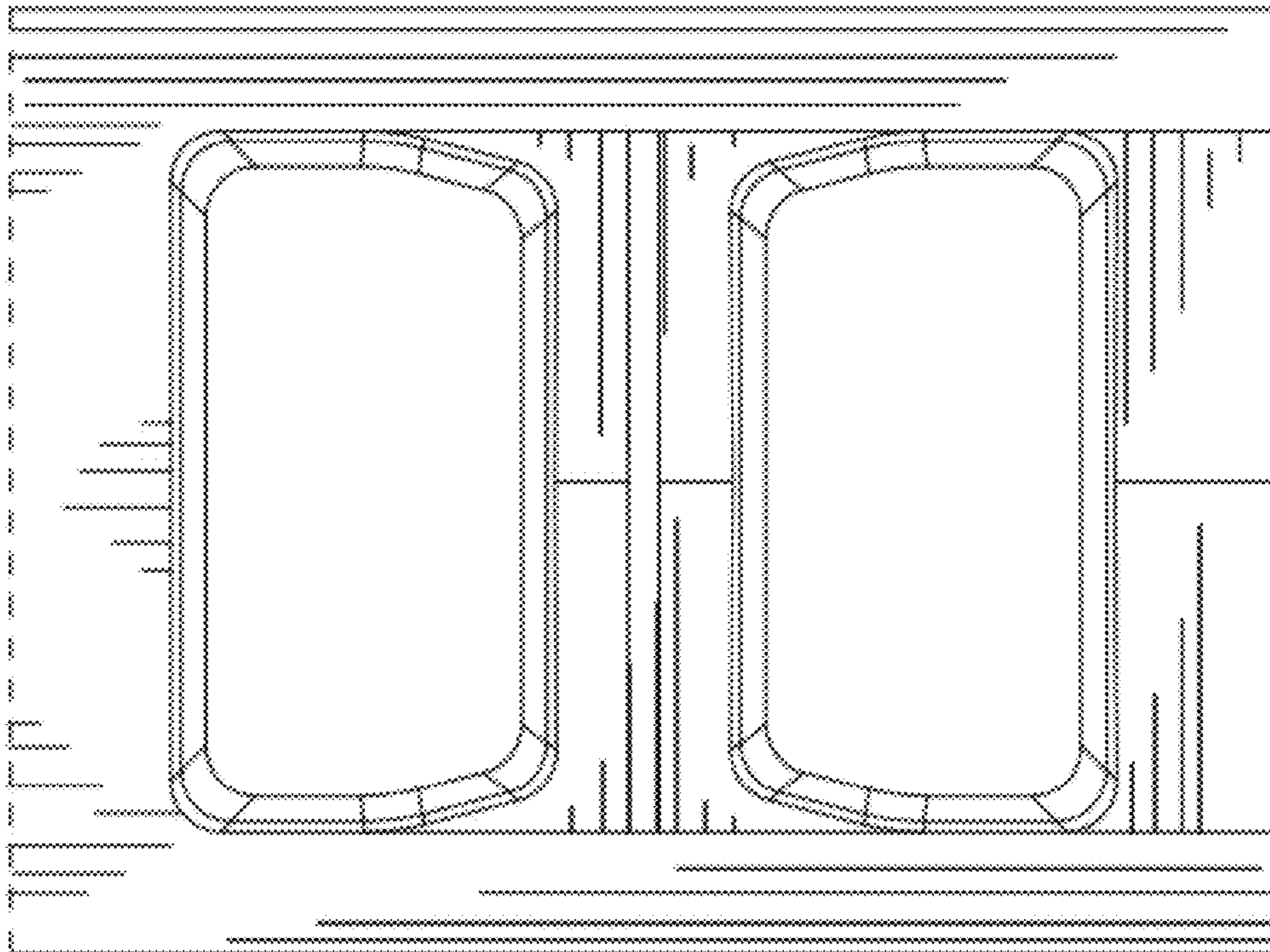


FIG. 20

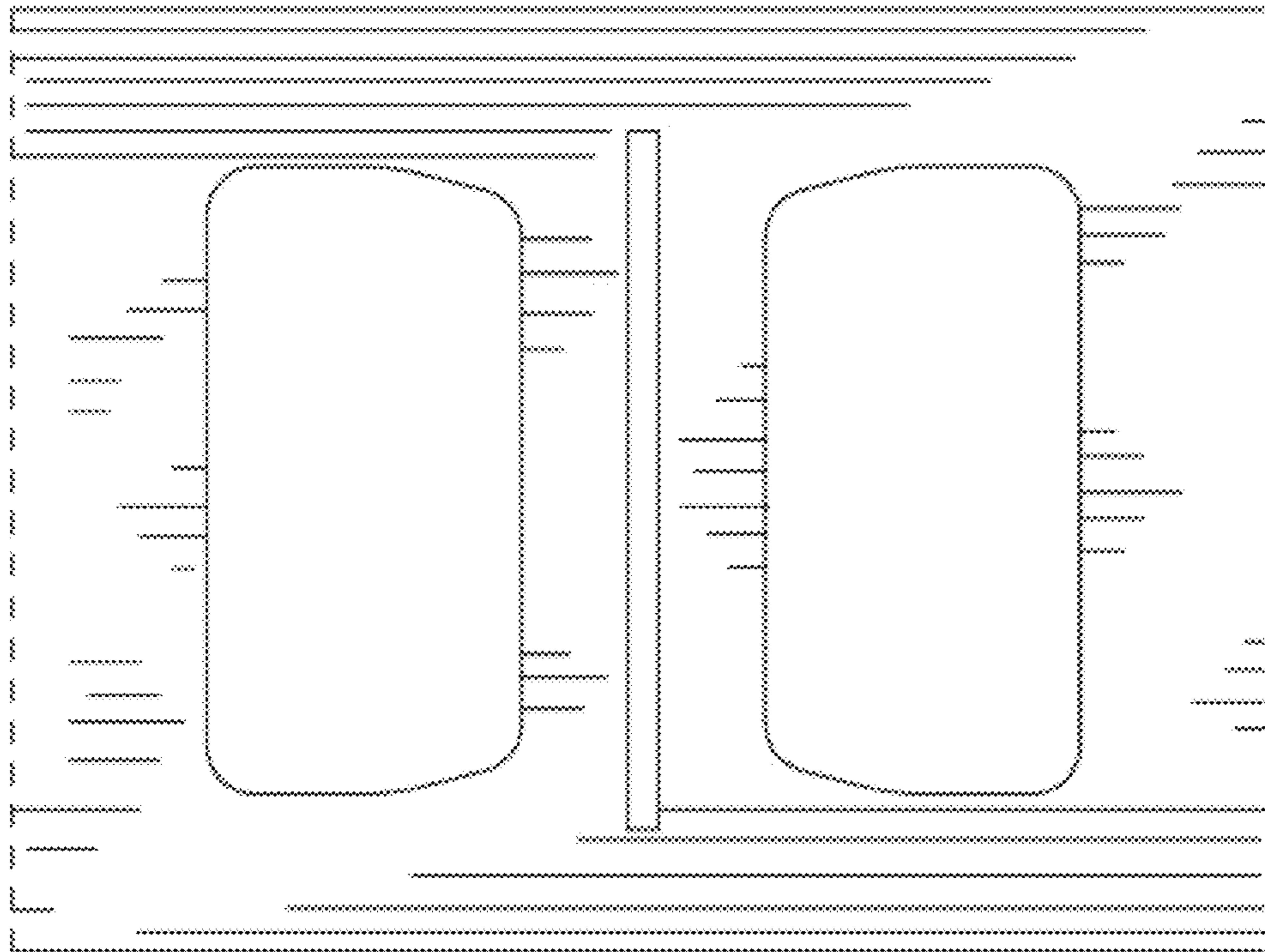


FIG. 21

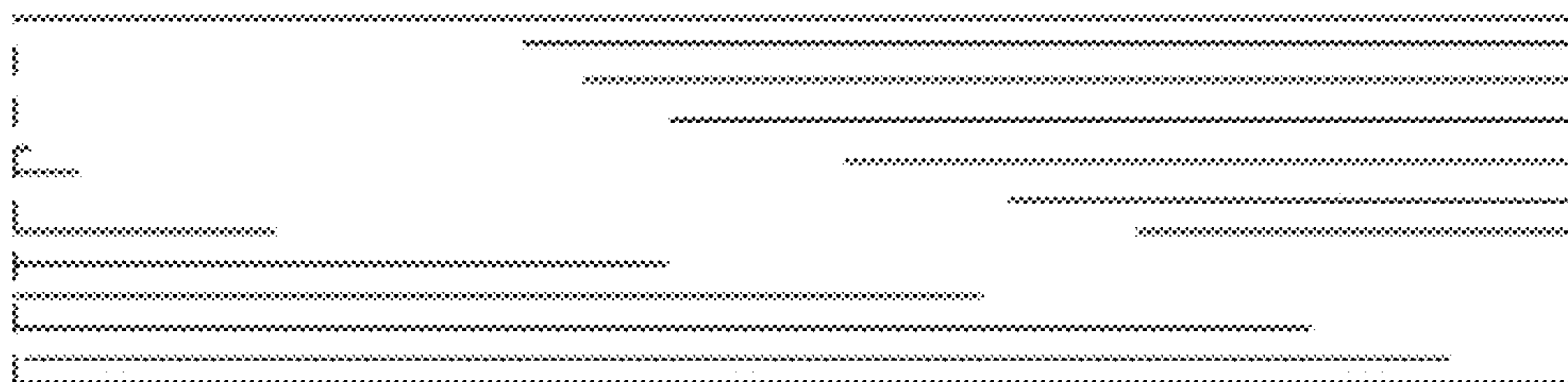


FIG. 22

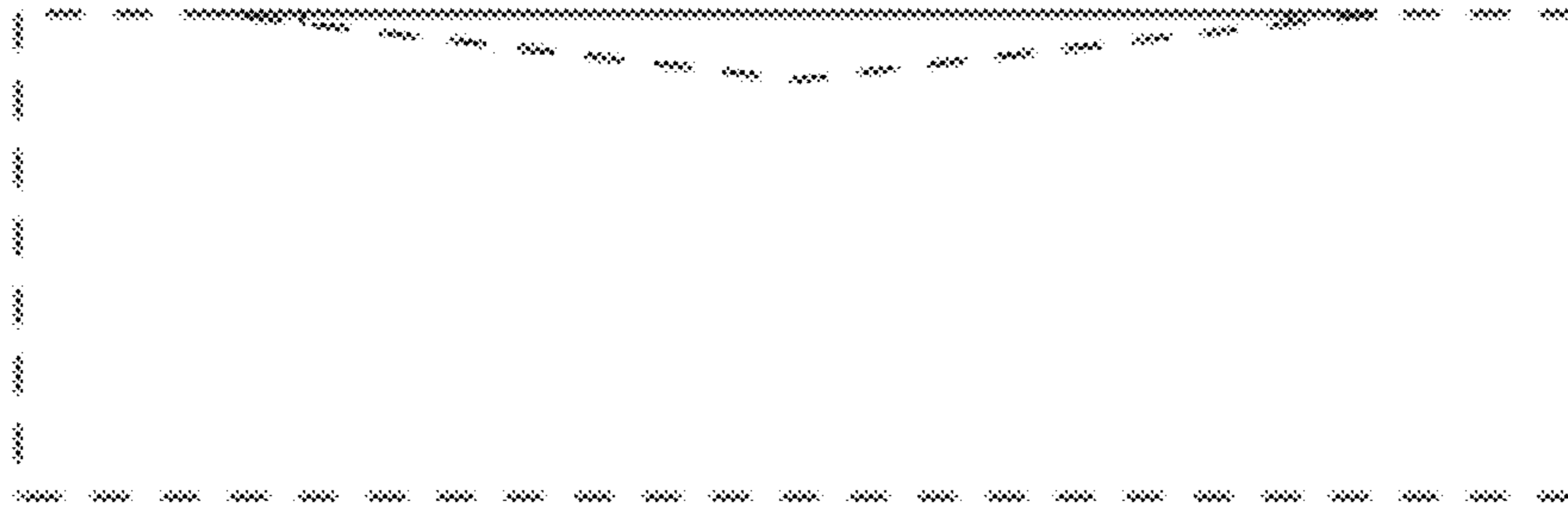


FIG. 23

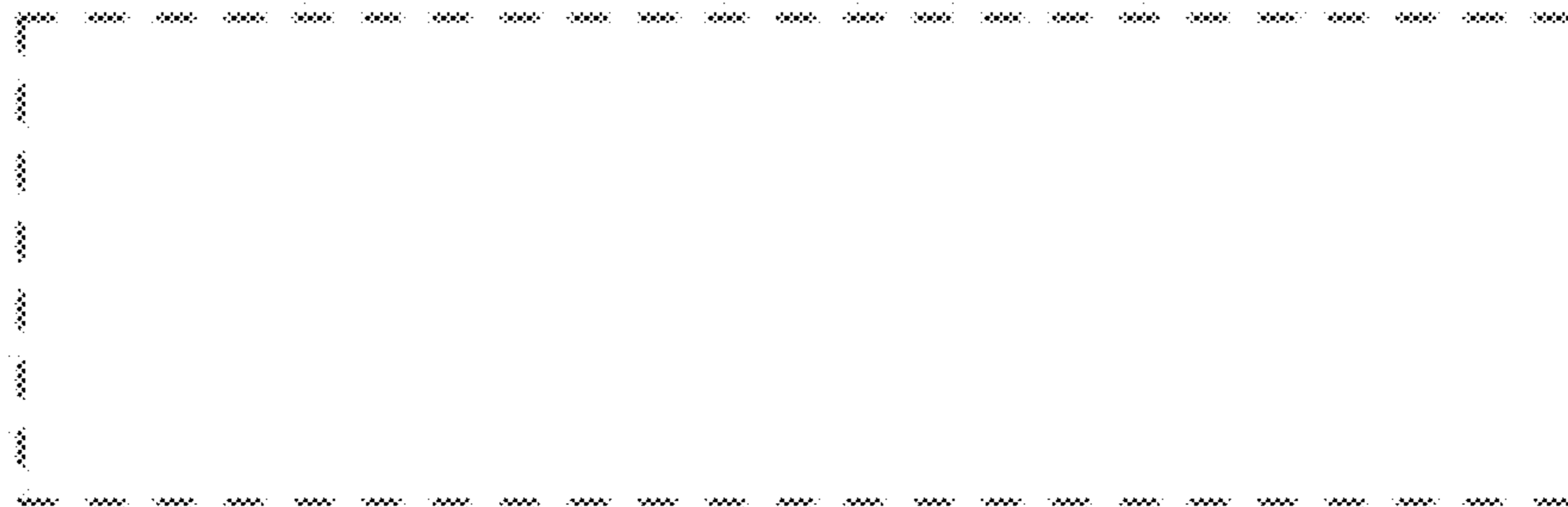


FIG. 24



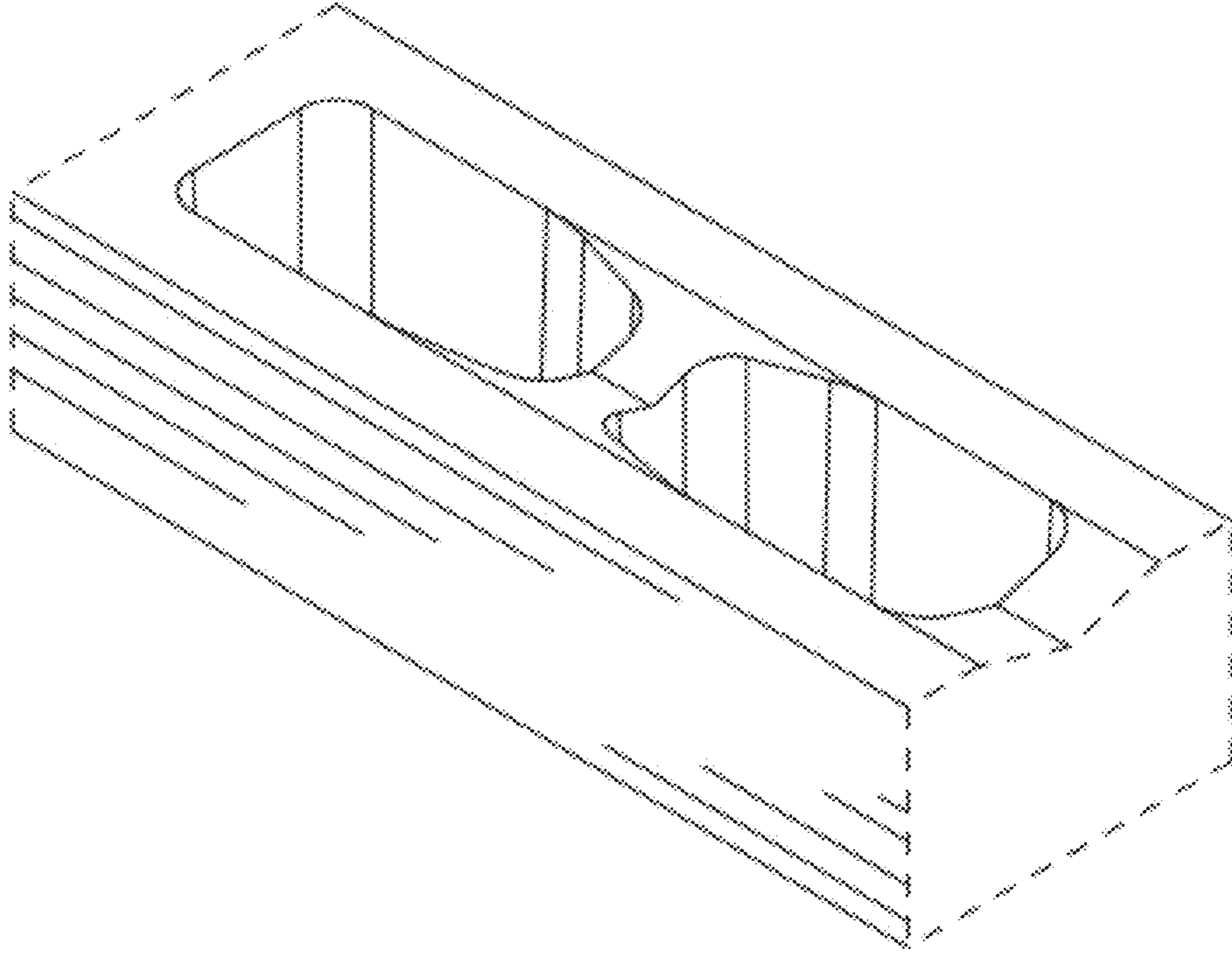


FIG. 25

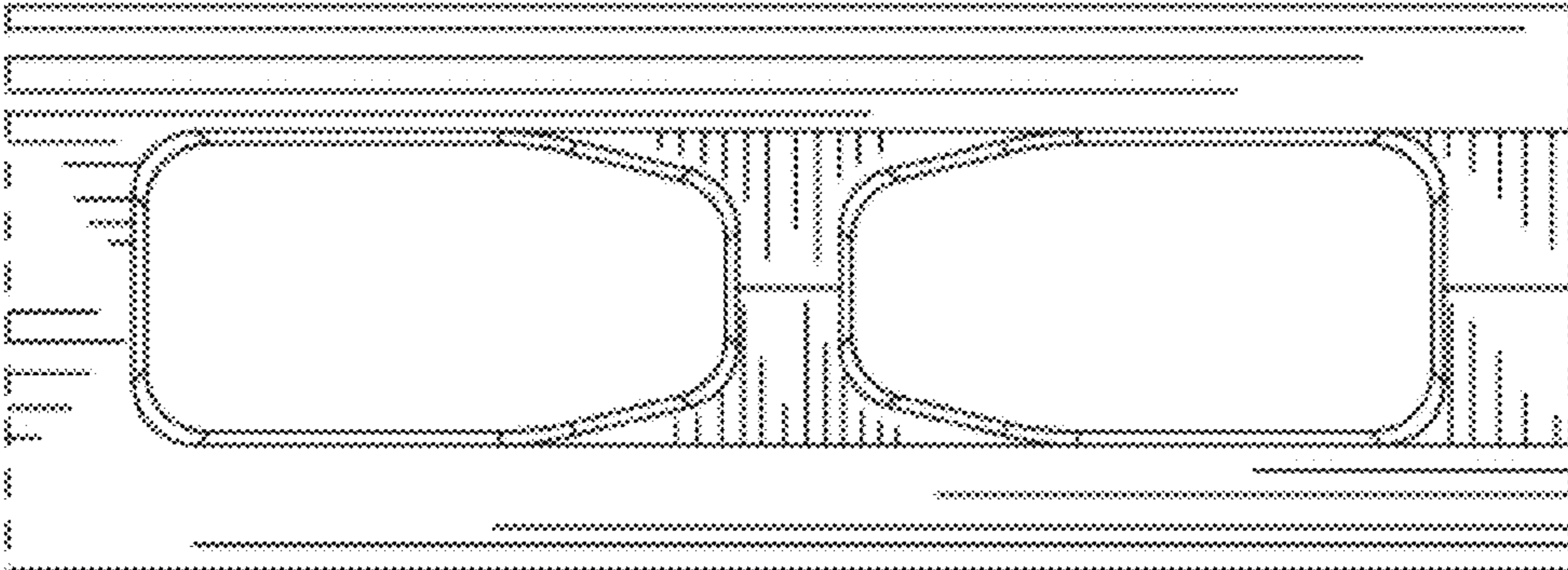


FIG. 26

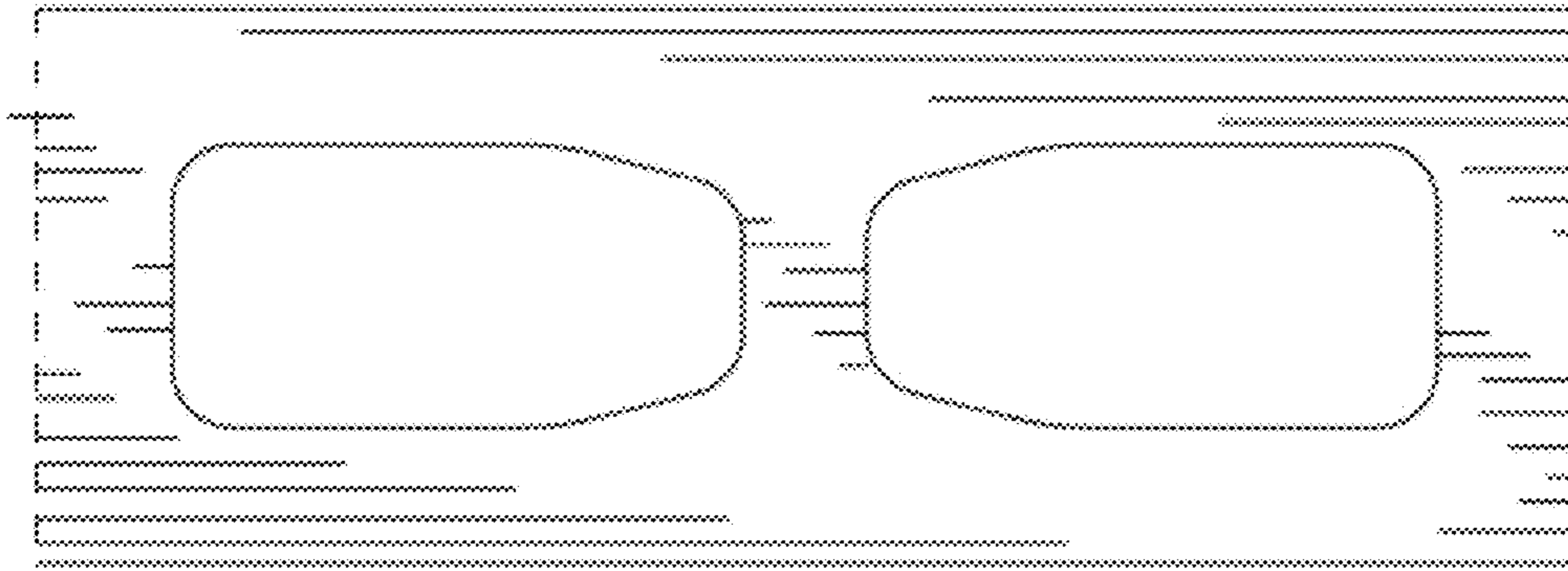


FIG. 27

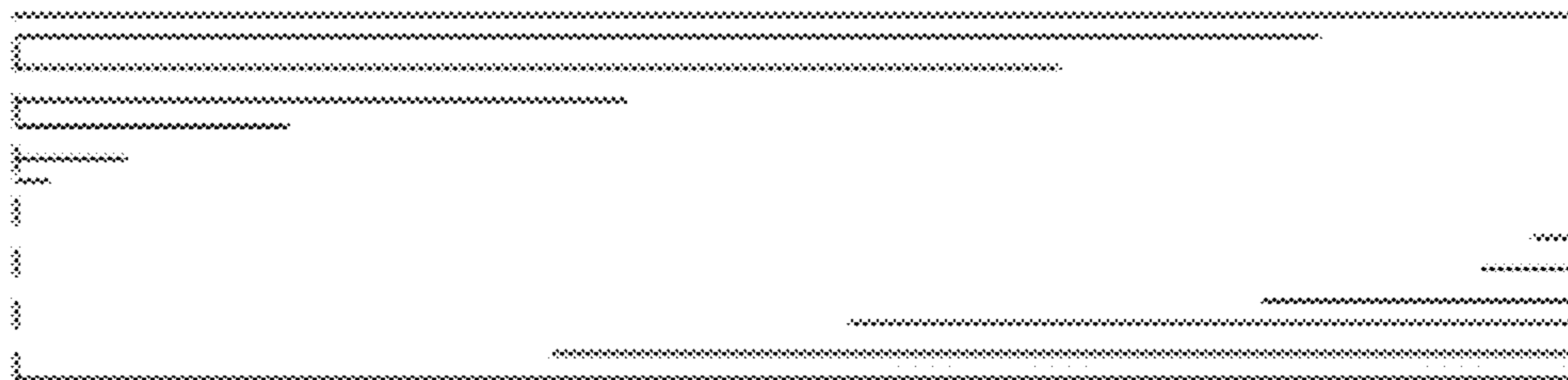


FIG. 28

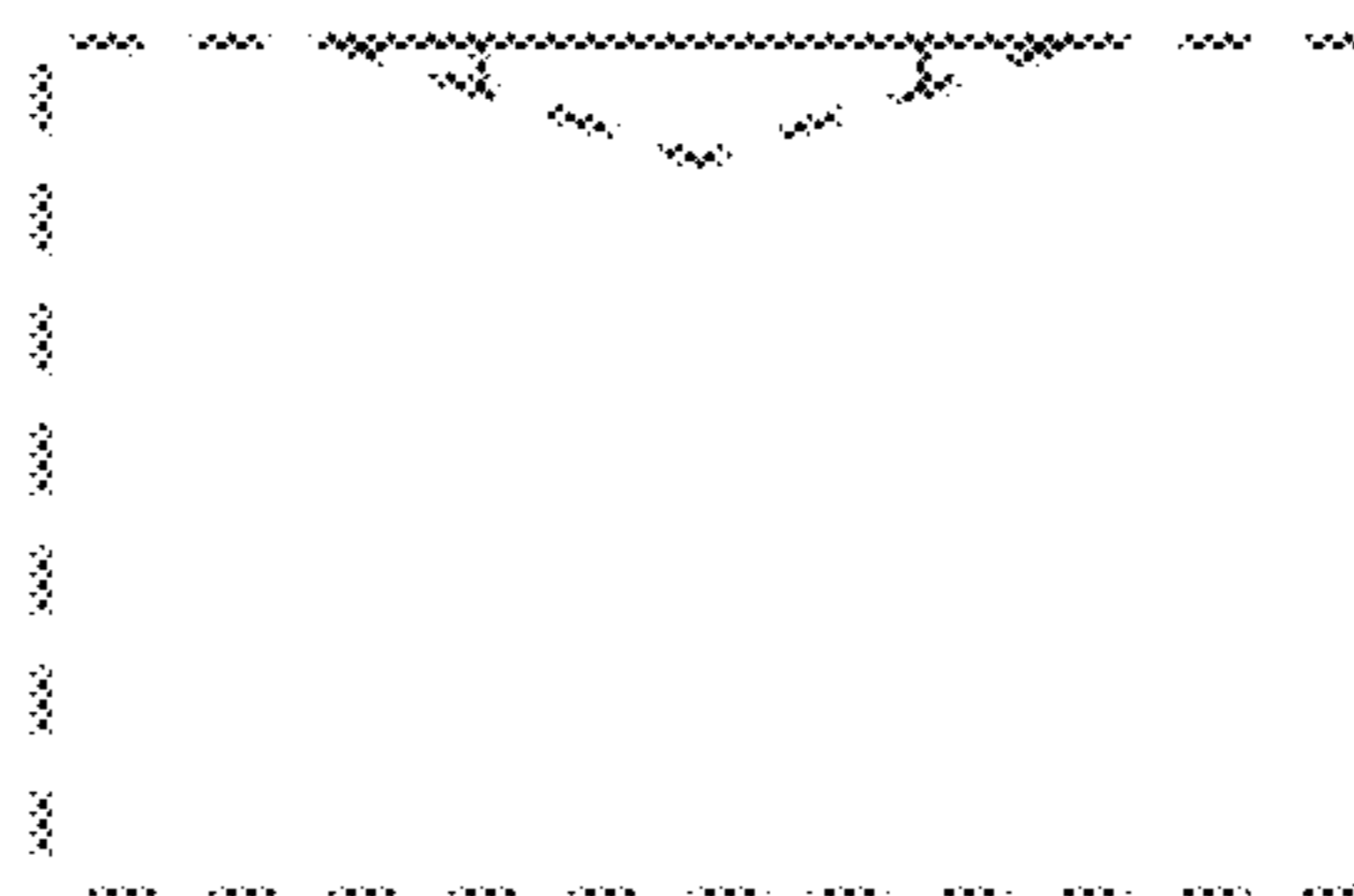


FIG. 29



FIG. 30

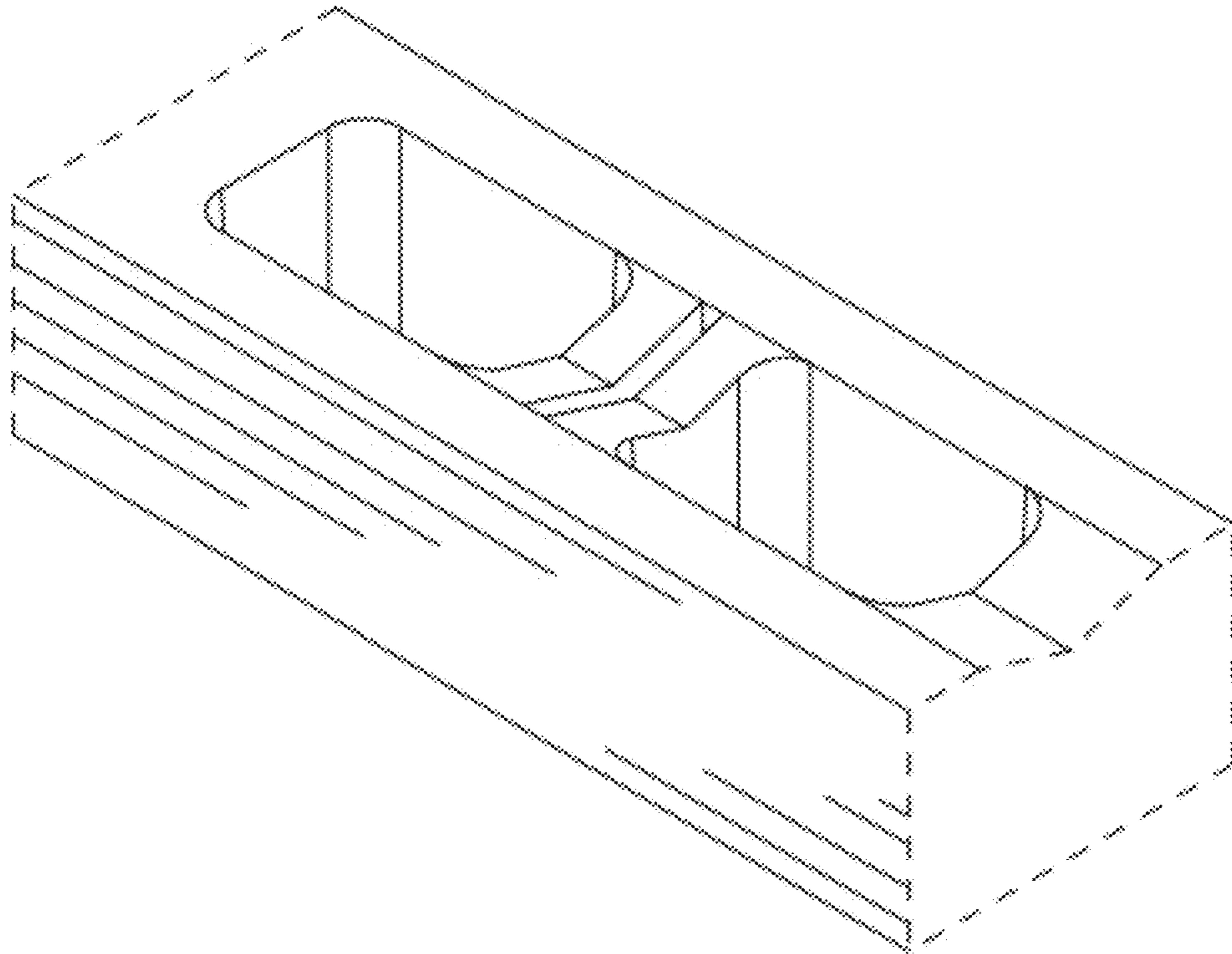


FIG. 31

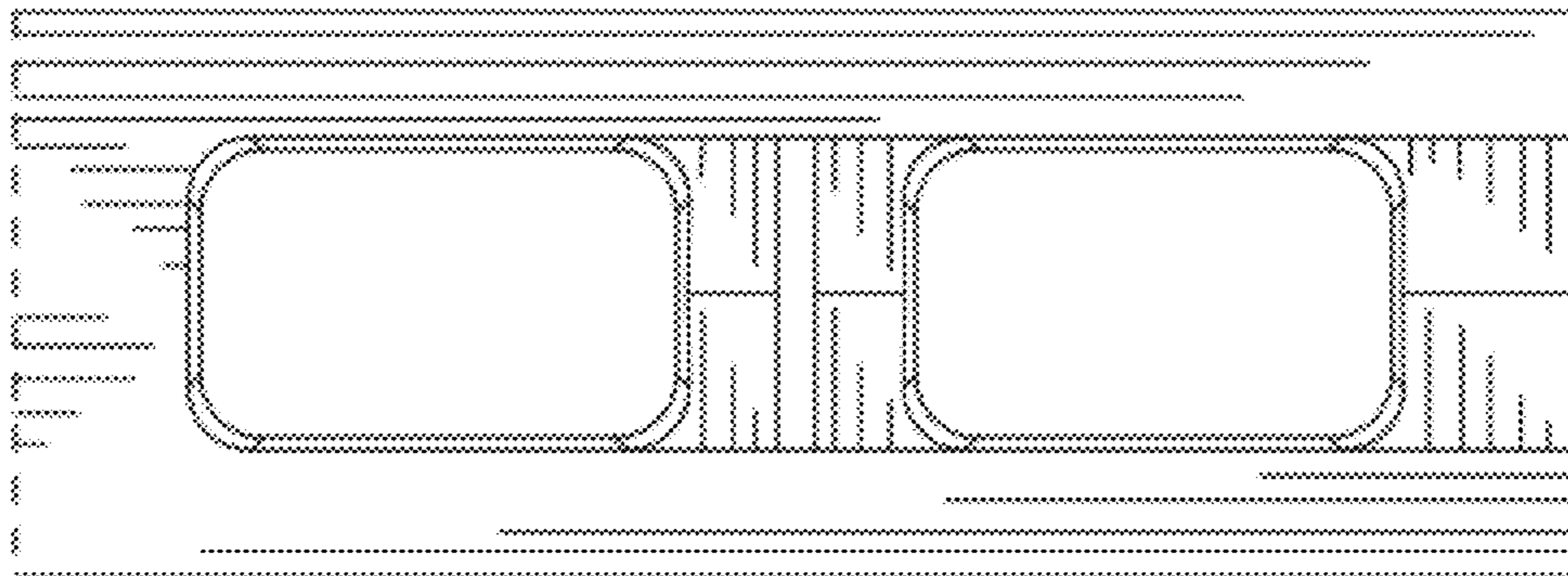


FIG. 32

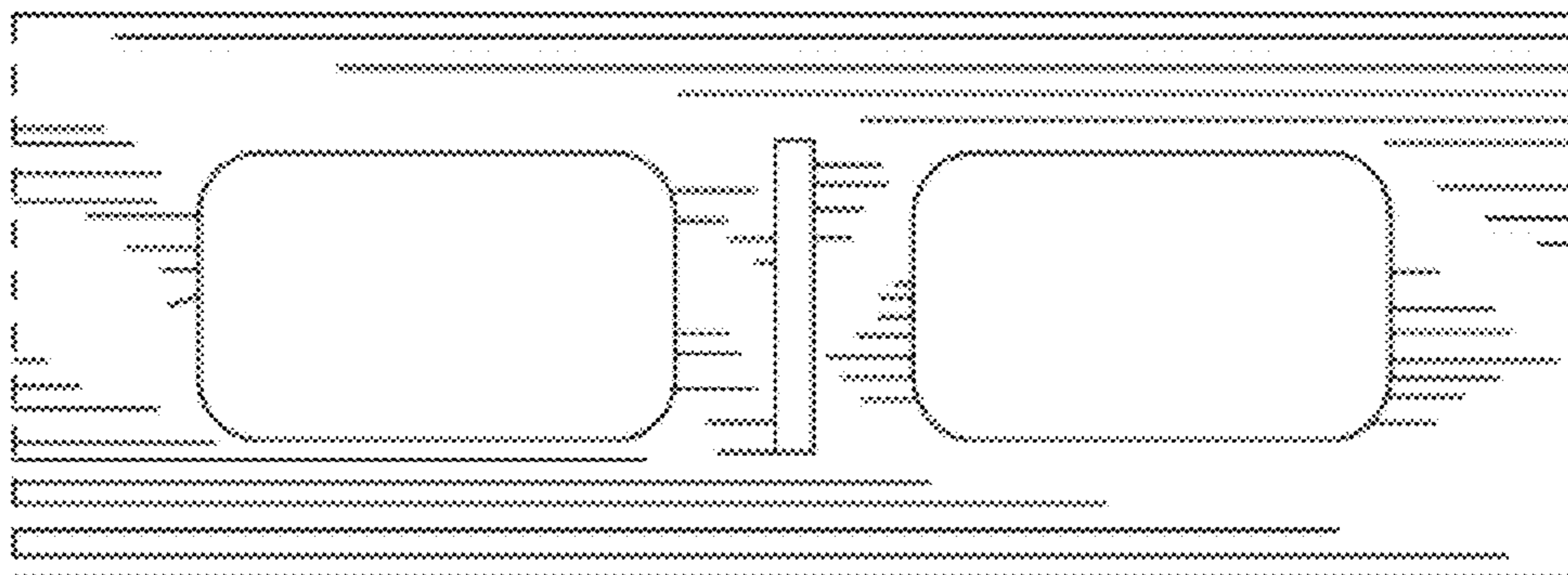


FIG. 33

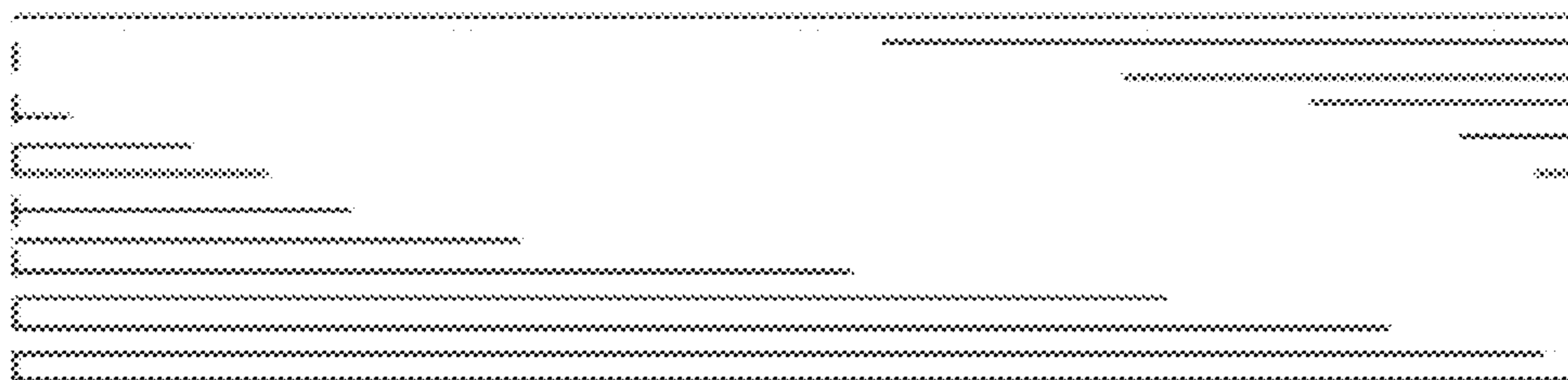


FIG. 34

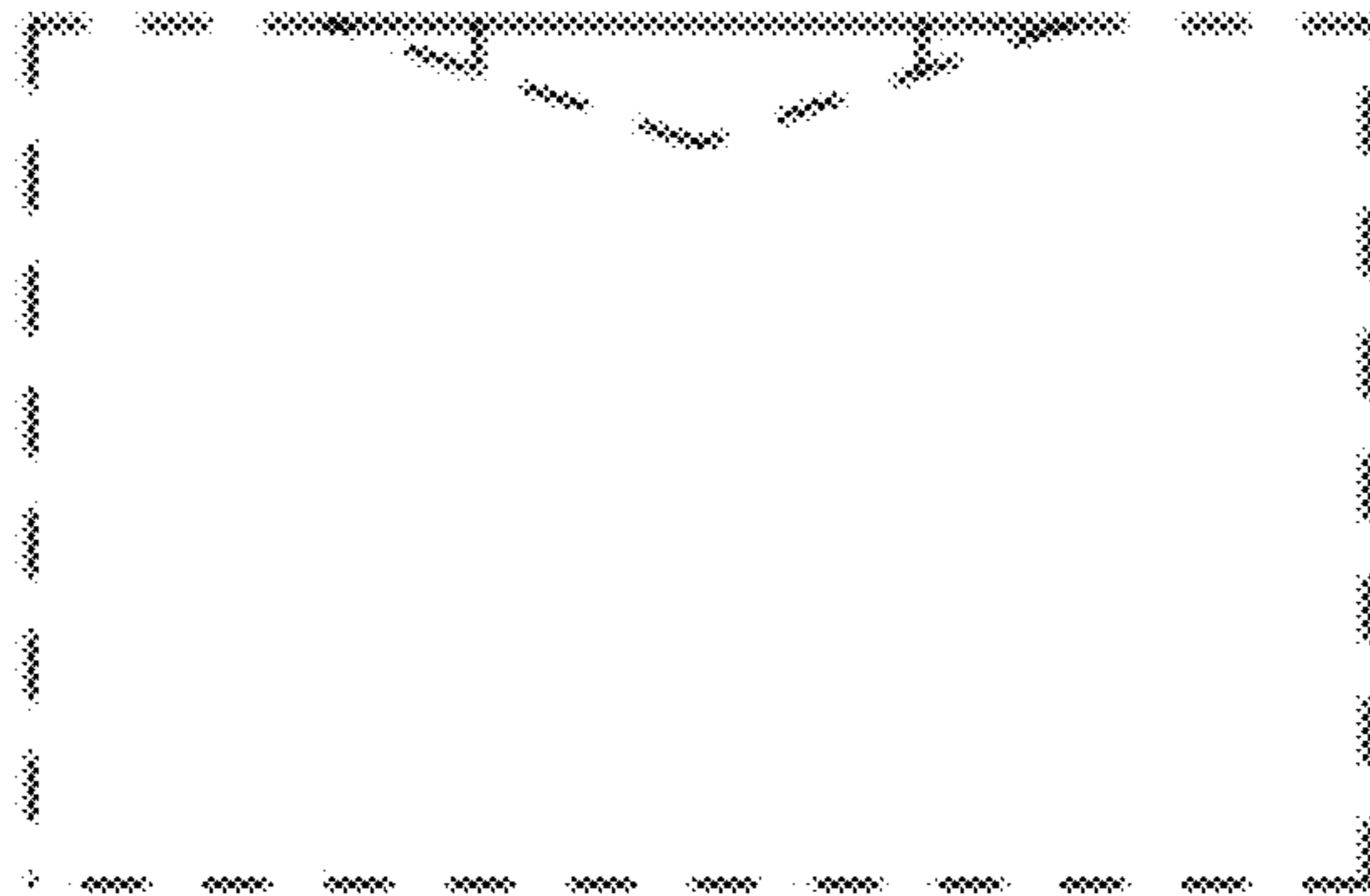


FIG. 35

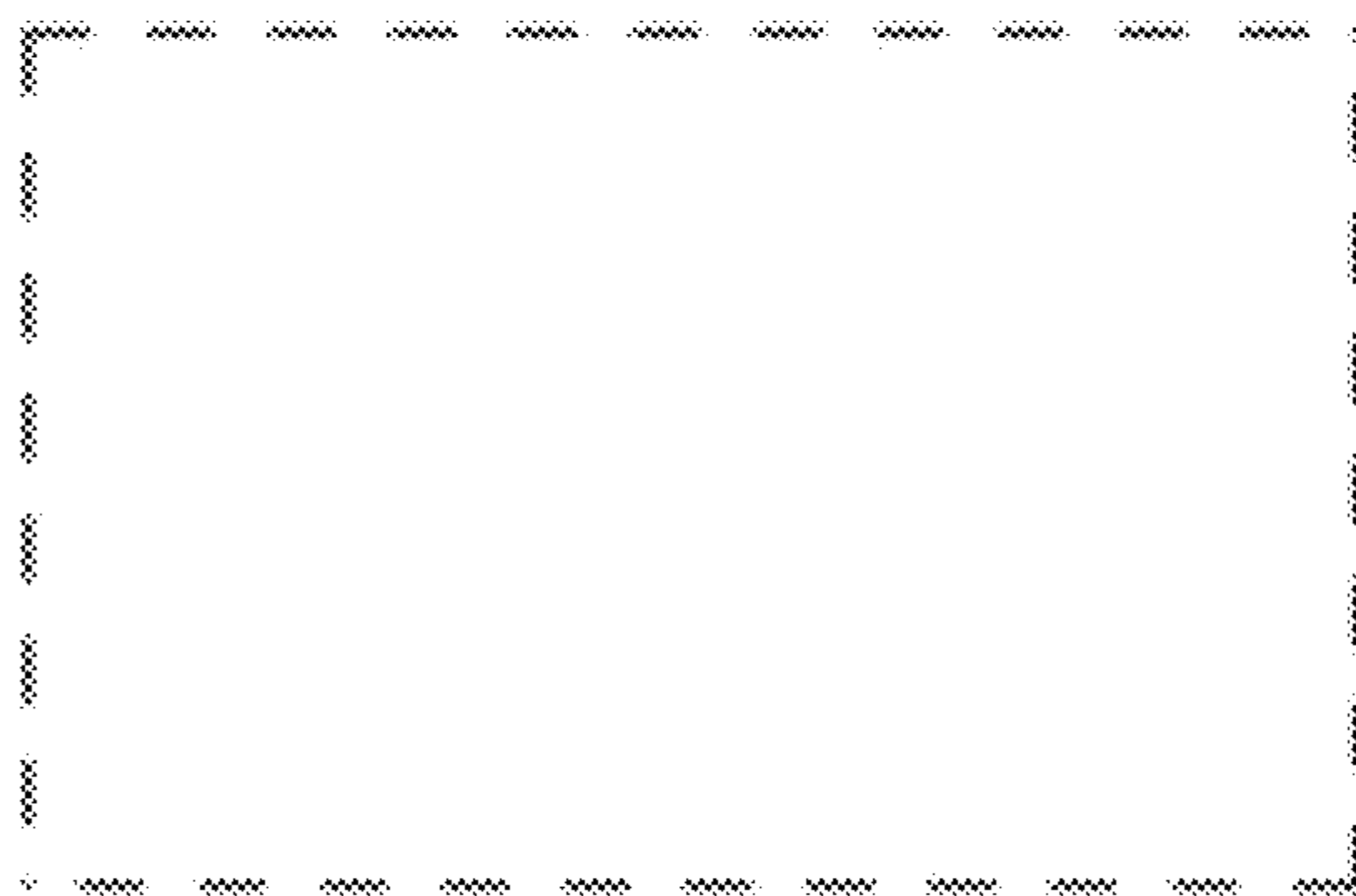


FIG. 36

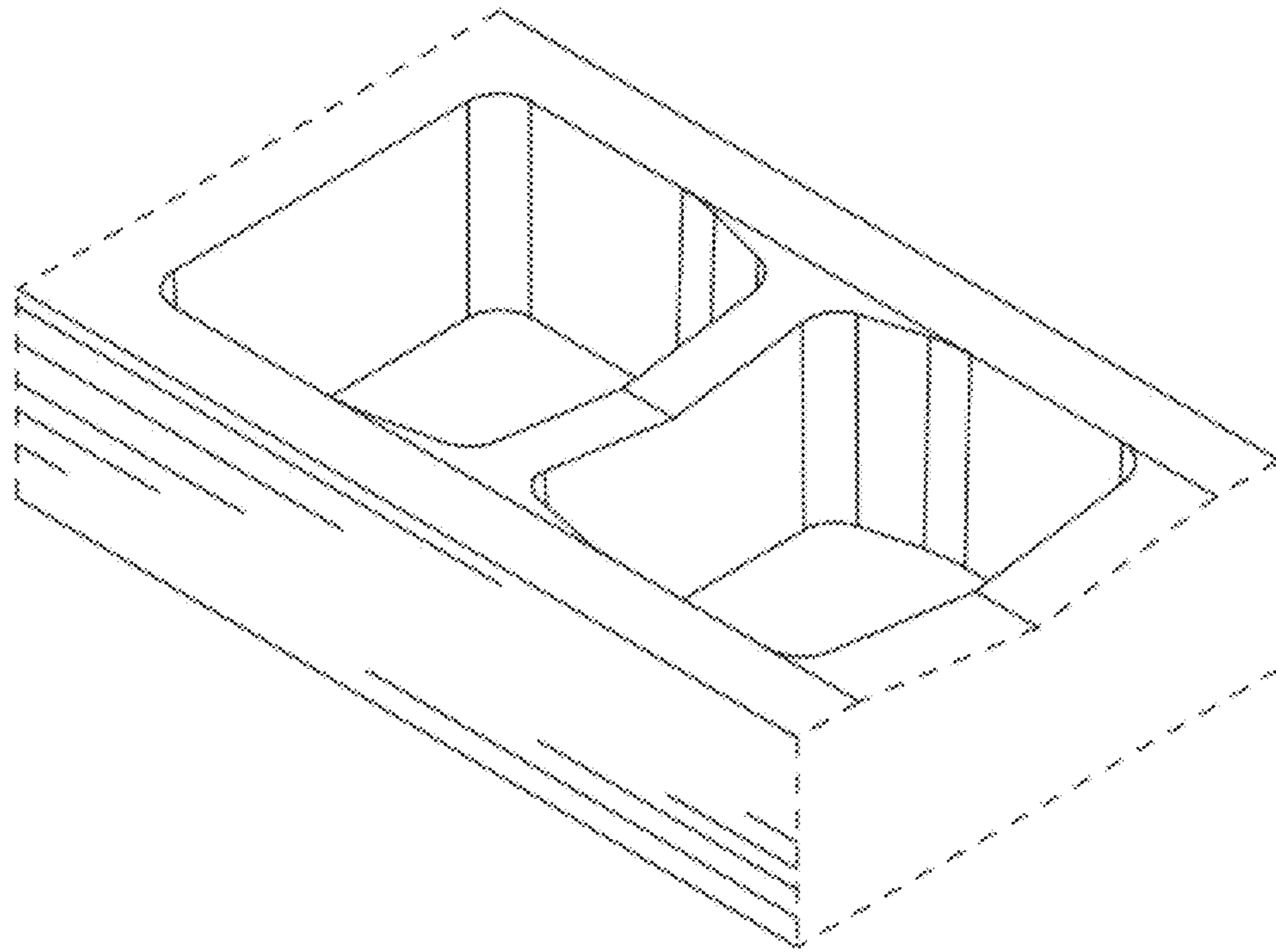


FIG. 37

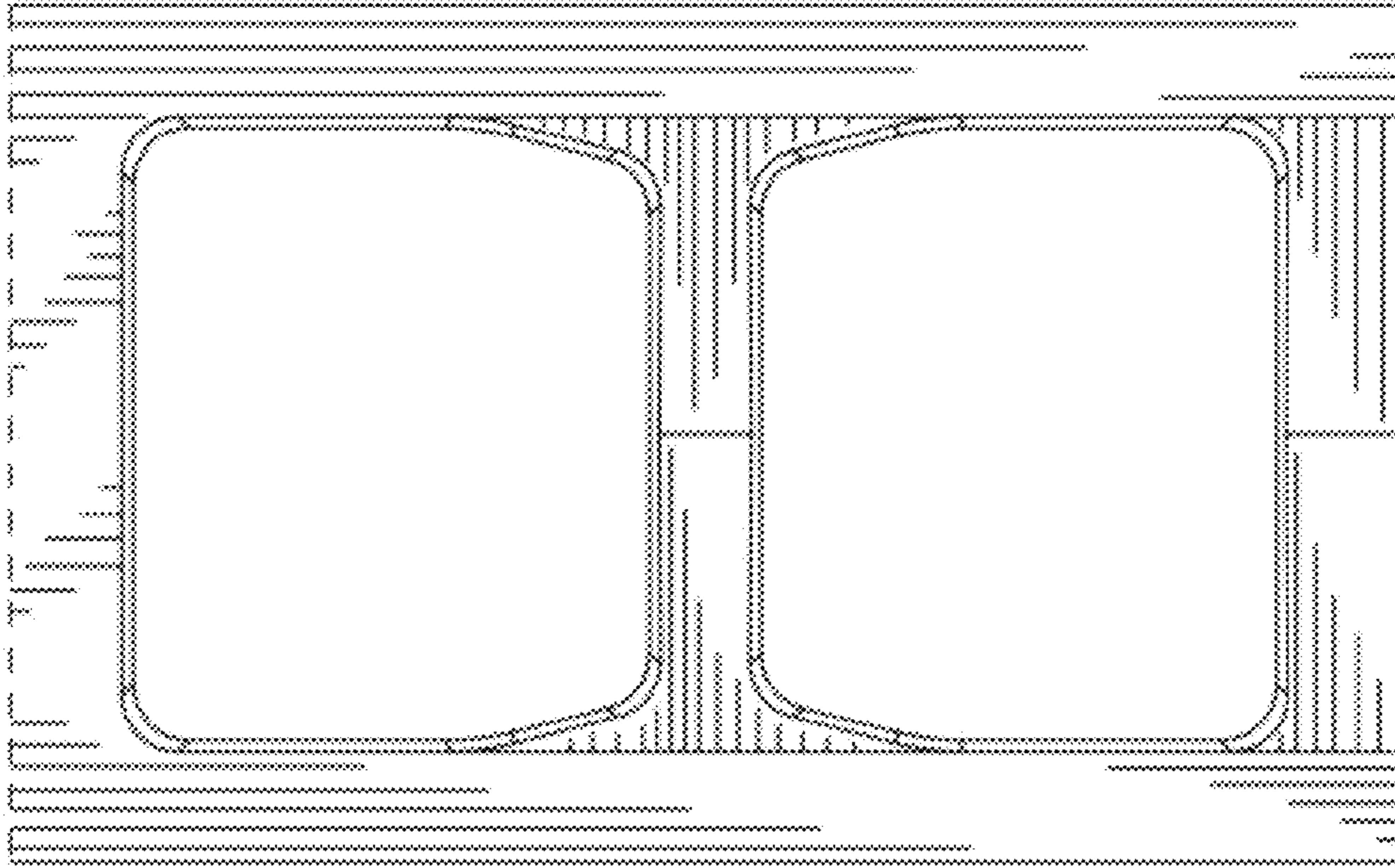


FIG. 38

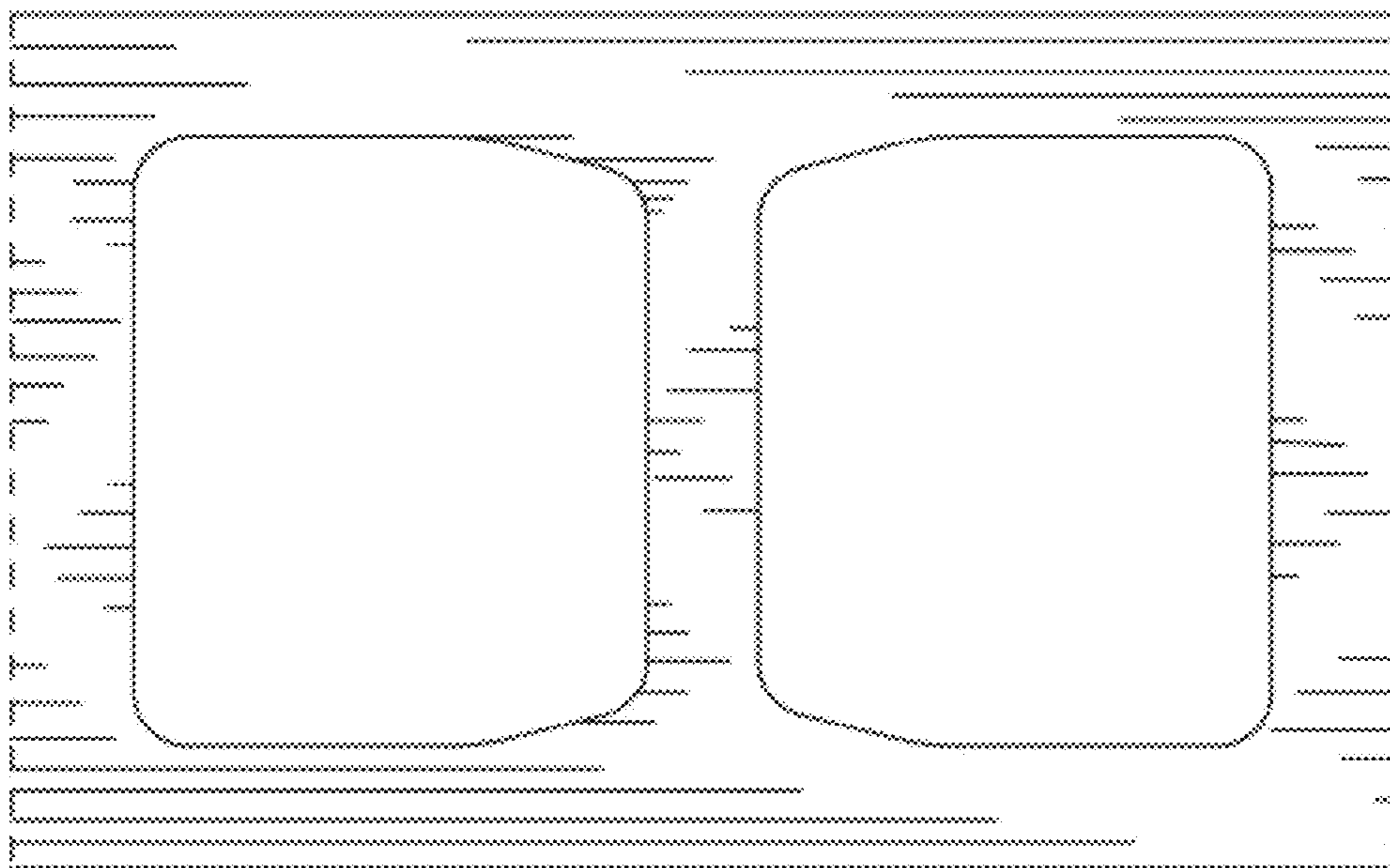


FIG. 39

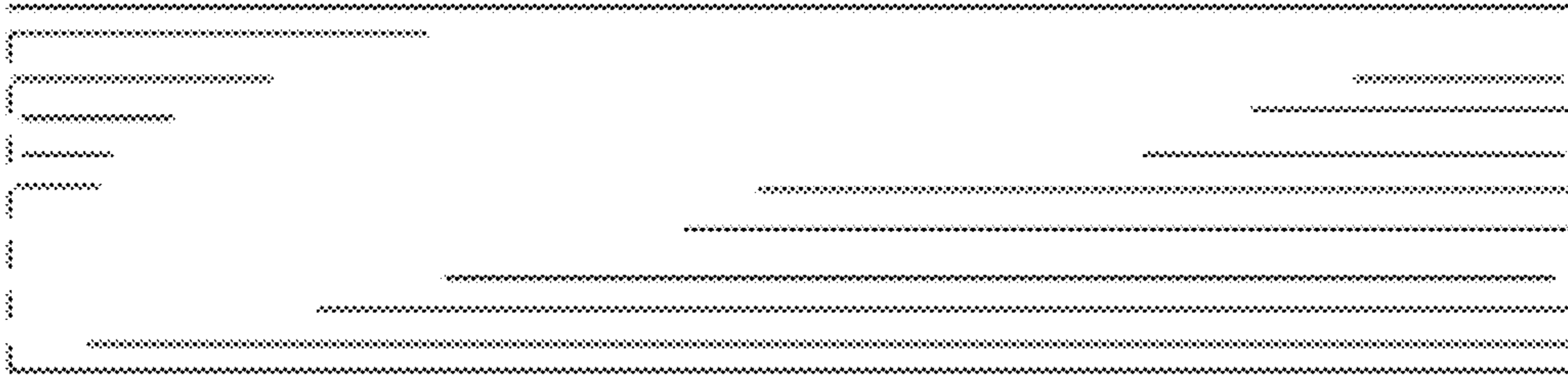


FIG. 40

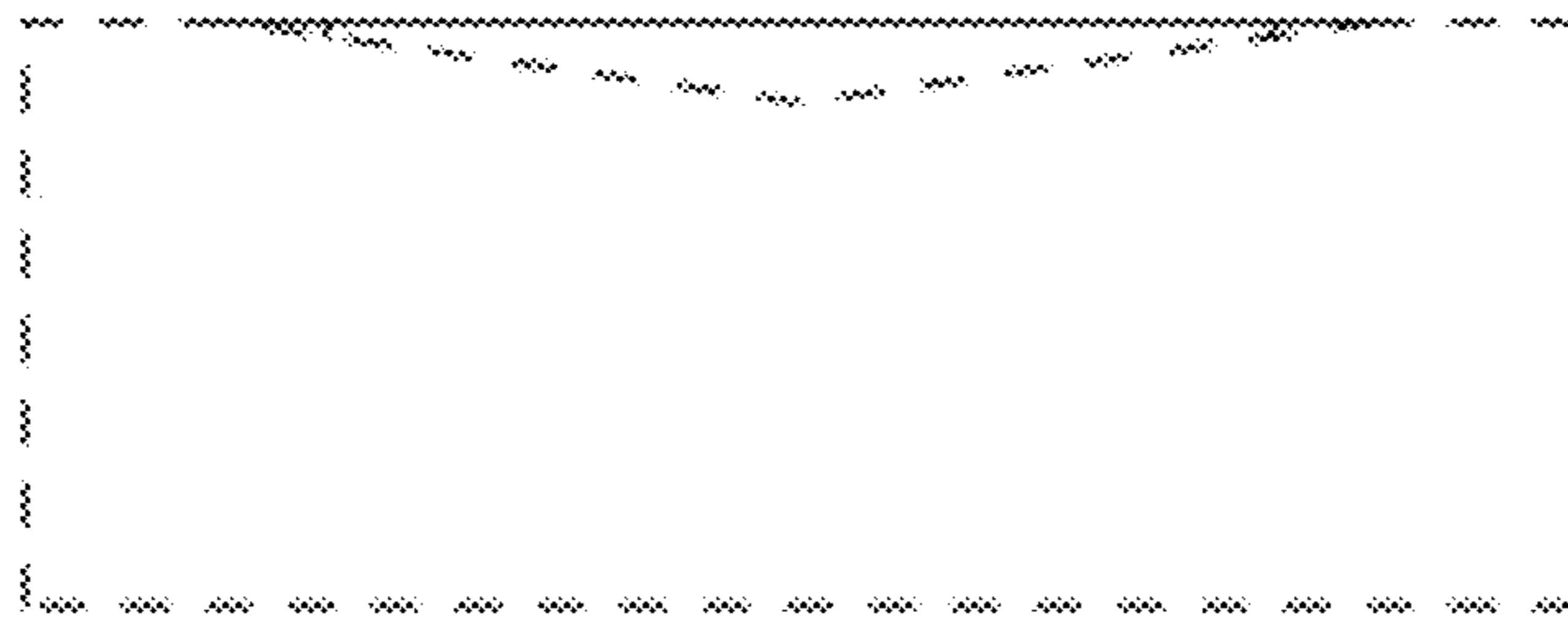


FIG. 41

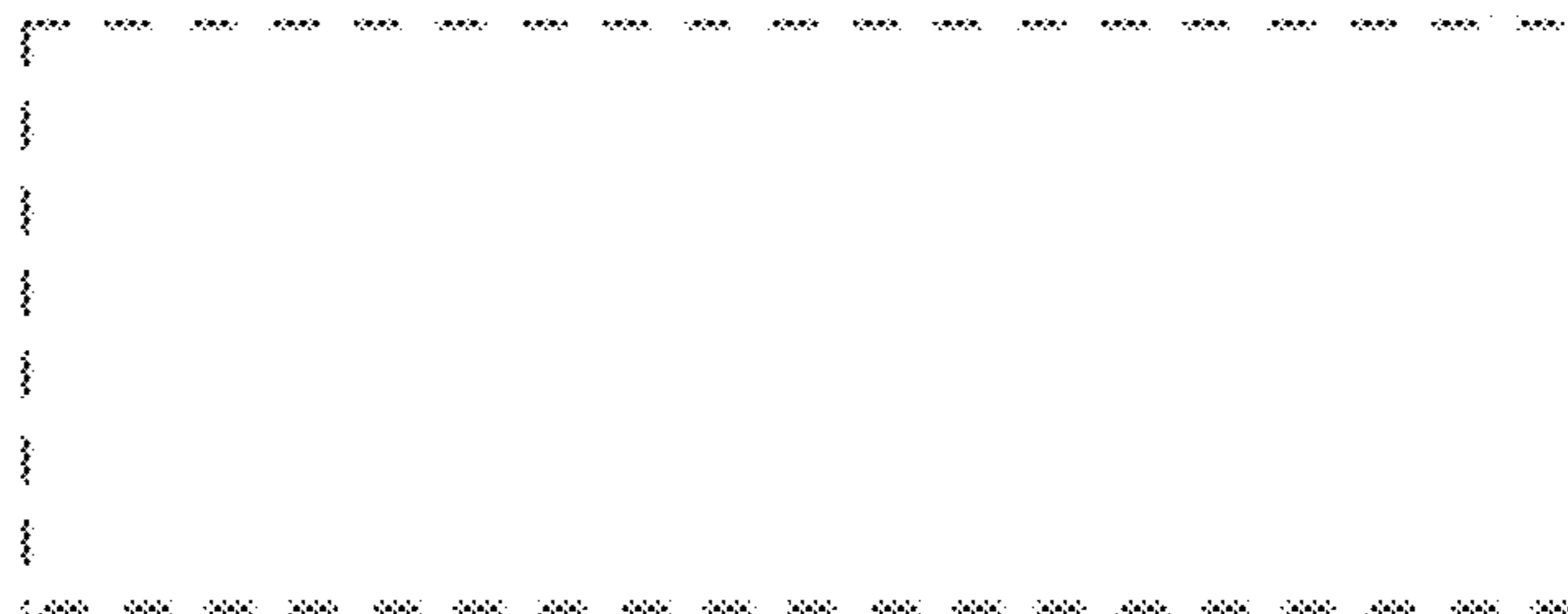


FIG. 42



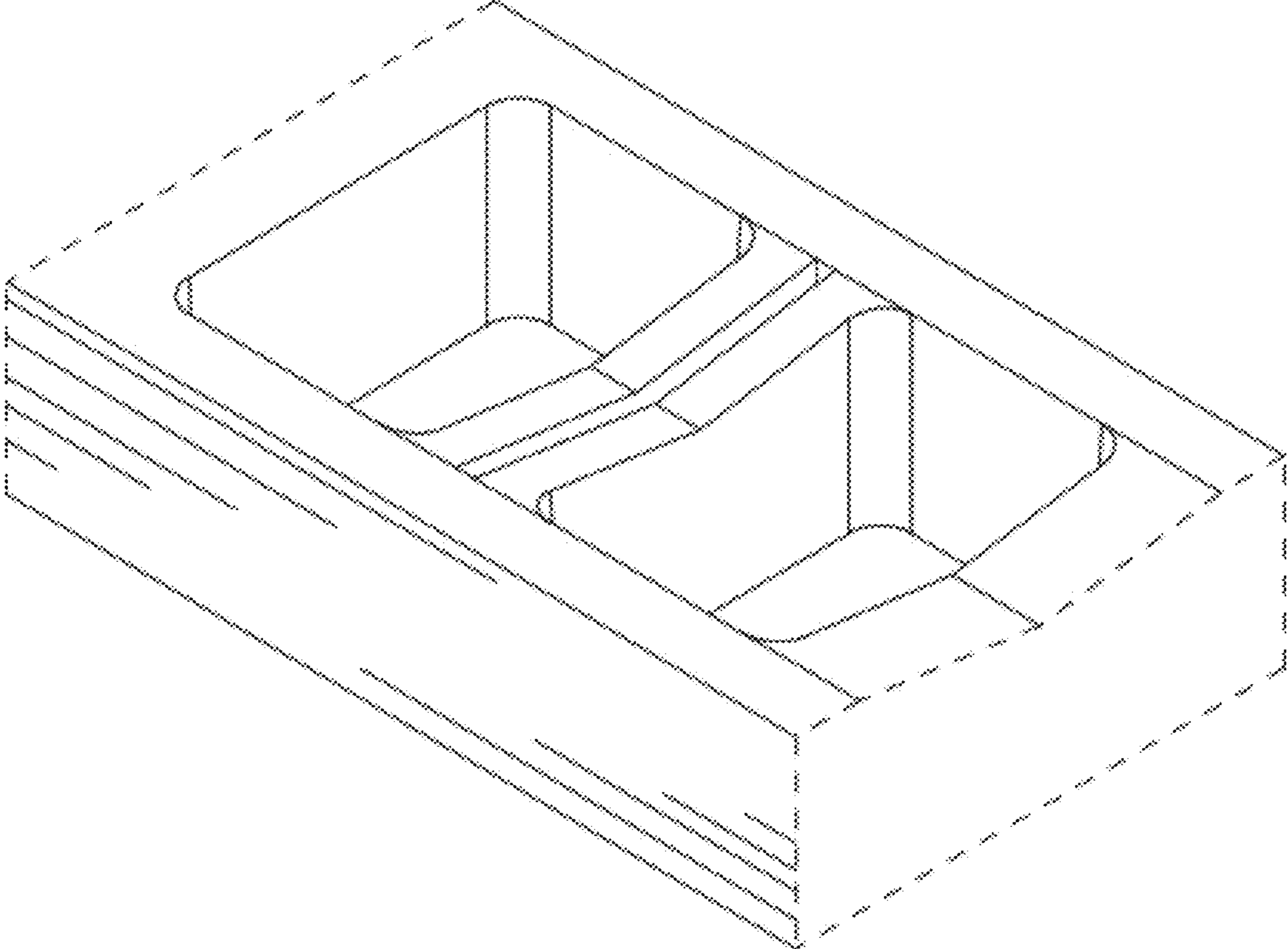


FIG.43

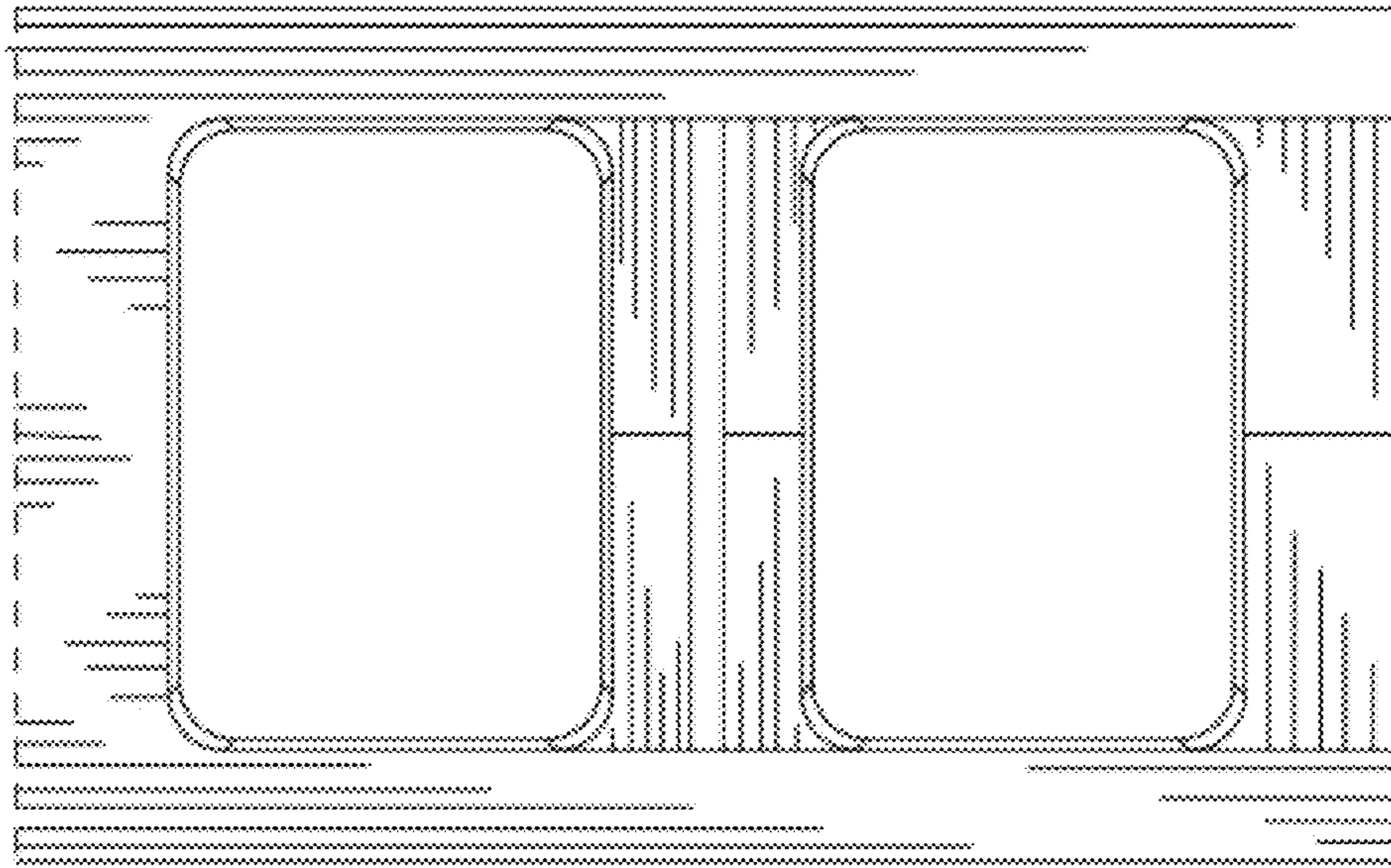


FIG. 44

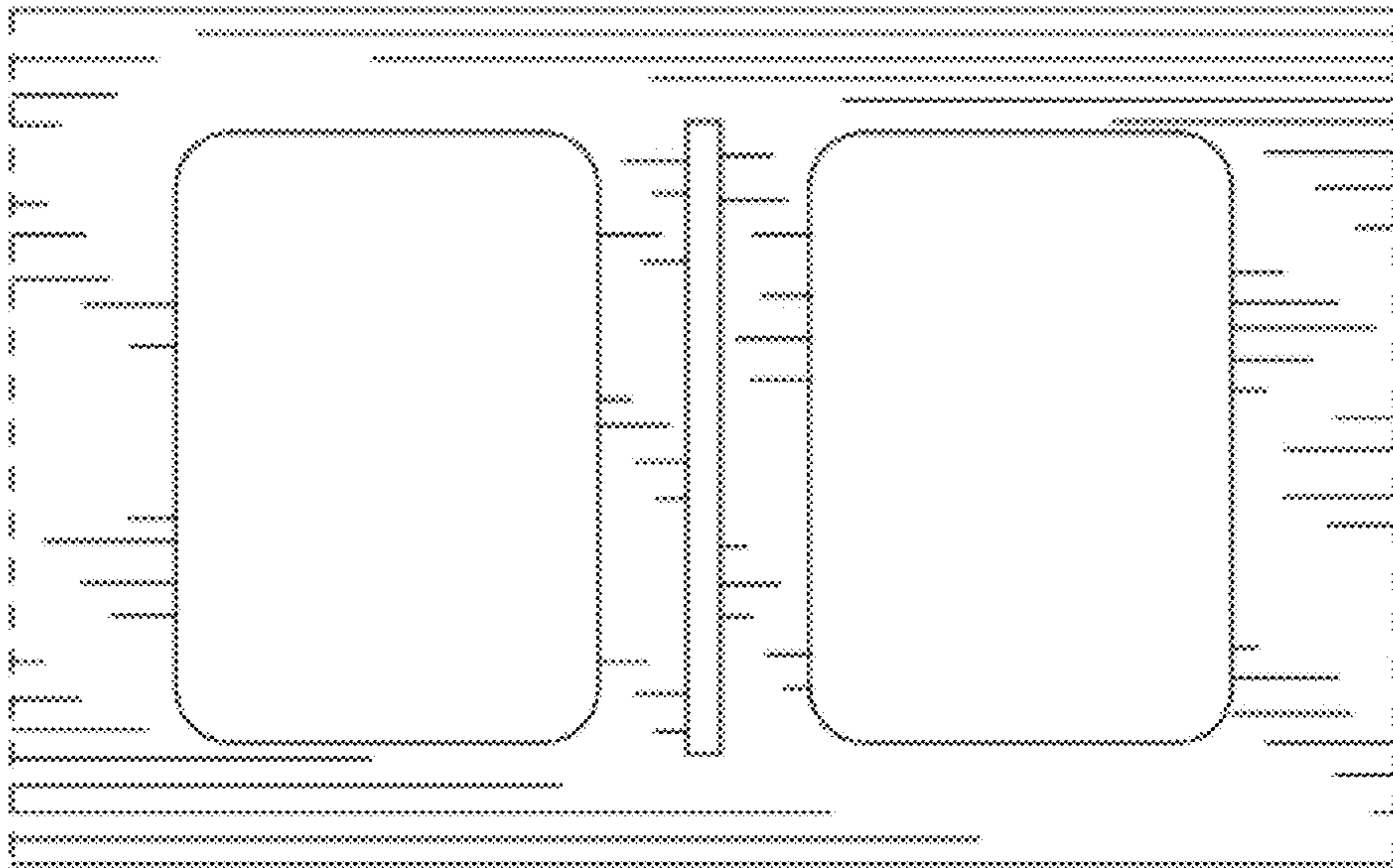


FIG. 45

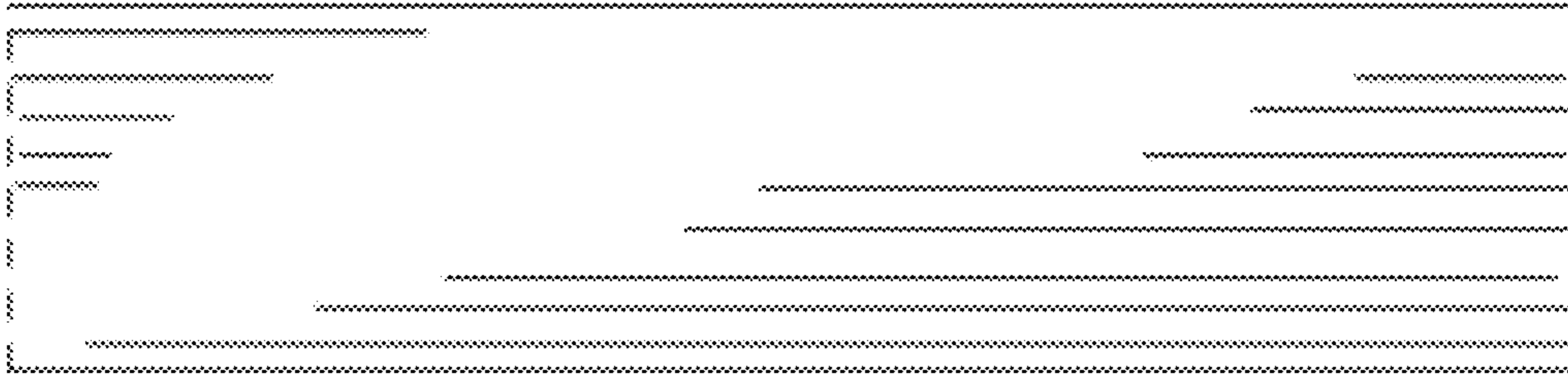


FIG. 46

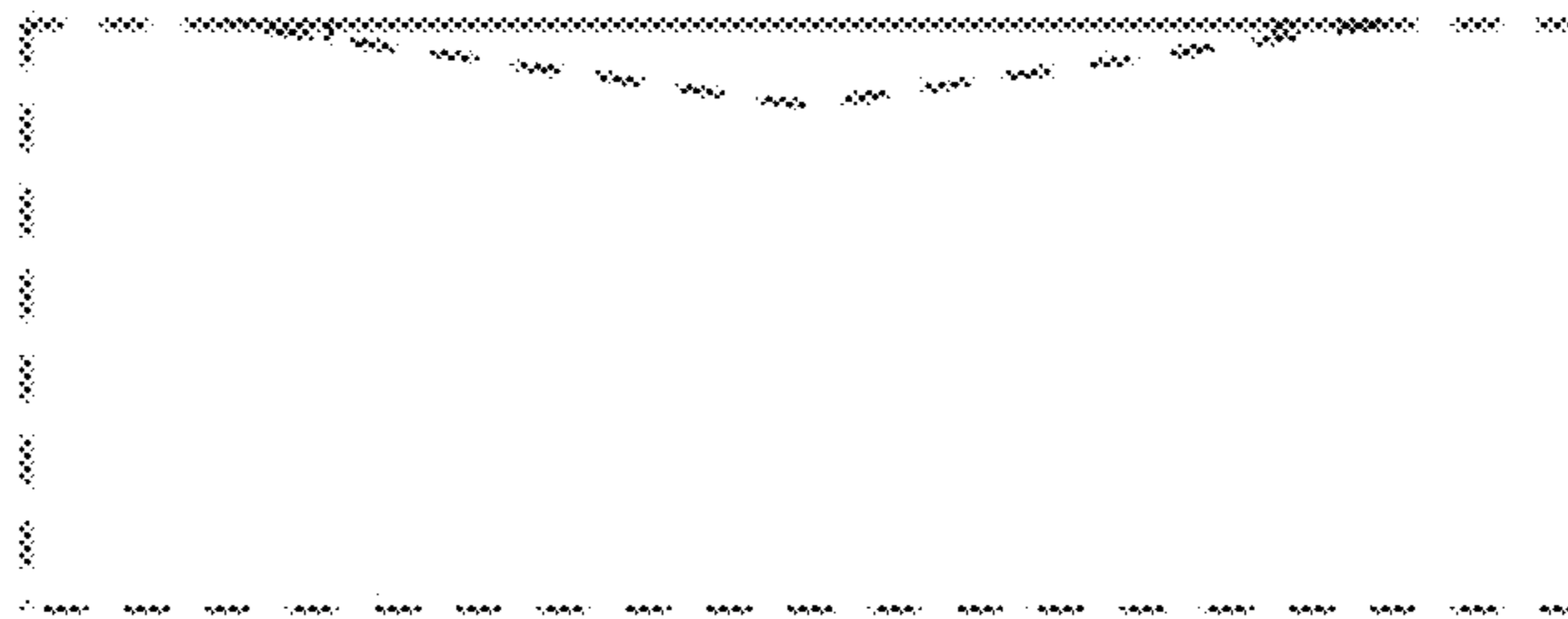


FIG. 47

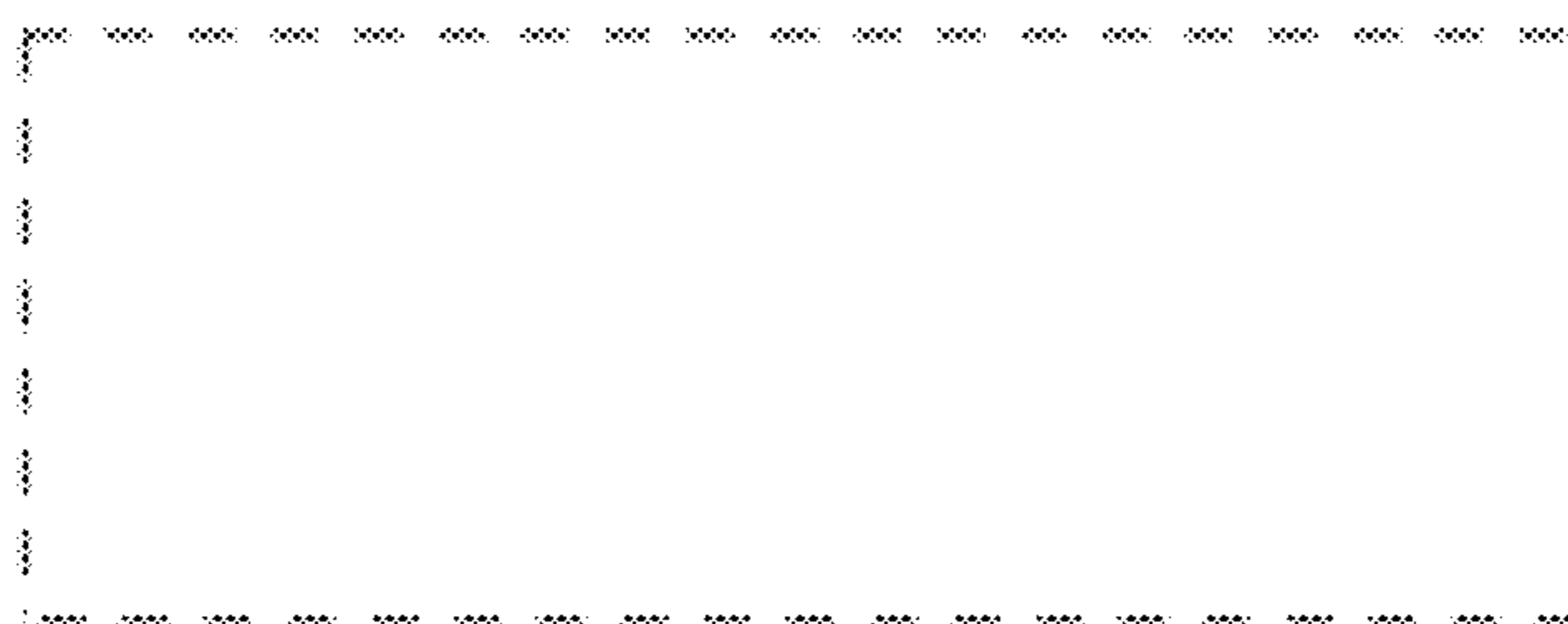


FIG. 48