

US00D659260S

(12) **United States Design Patent**
MacDonald et al.

(10) **Patent No.:** **US D659,260 S**

(45) **Date of Patent:** **** May 8, 2012**

(54) **NOISE SUPPRESSION BUILDING**

(75) Inventors: **Rod MacDonald**, Calgary (CA);
Andrew C. Faszler, Calgary (CA); **Sean M. Bouvier**, Calgary (CA); **Ryan R. Russell**, Red Deer (CA)

(73) Assignee: **Noise Solutions Inc.** (CA)

(**) Term: **14 Years**

(21) Appl. No.: **29/341,502**

(22) Filed: **Aug. 6, 2009**

(51) **LOC (9) Cl.** **25-03**

(52) **U.S. Cl.** **D25/33**

(58) **Field of Classification Search** D25/33,
D25/1, 4, 14, 15, 16, 17, 22, 59; 52/79.4,
52/72, 79.1, 23, 82, 36.2, 91.1, 92.2, 93.2
See application file for complete search history.

(56) **References Cited**

U.S. PATENT DOCUMENTS

D171,244	S *	1/1954	Bergstrom	D25/22
2,883,711	A *	4/1959	Kump	52/262
3,069,224	A *	12/1962	Bigelow, Jr.	52/11
D205,447	S *	8/1966	Burris	D25/33
3,707,811	A *	1/1973	Hampson	52/23
D253,791	S *	12/1979	Whitney	D25/33
4,869,036	A *	9/1989	Peacock	52/233
D370,535	S *	6/1996	Karamesines	D25/33
5,950,373	A *	9/1999	von Hoff et al.	52/79.5
6,675,540	B1 *	1/2004	Rokes	52/143
D626,659	S *	11/2010	Ferko, III	D25/33
D629,232	S *	12/2010	Forcellina	D6/478
D631,559	S *	1/2011	Gibson	D25/33
7,926,226	B2 *	4/2011	Pope	52/67

7,926,227 B2 * 4/2011 Mower et al. 52/79.6
* cited by examiner

Primary Examiner — Cynthia Underwood
(74) *Attorney, Agent, or Firm* — St. Onge Steward Johnston & Reens LLC

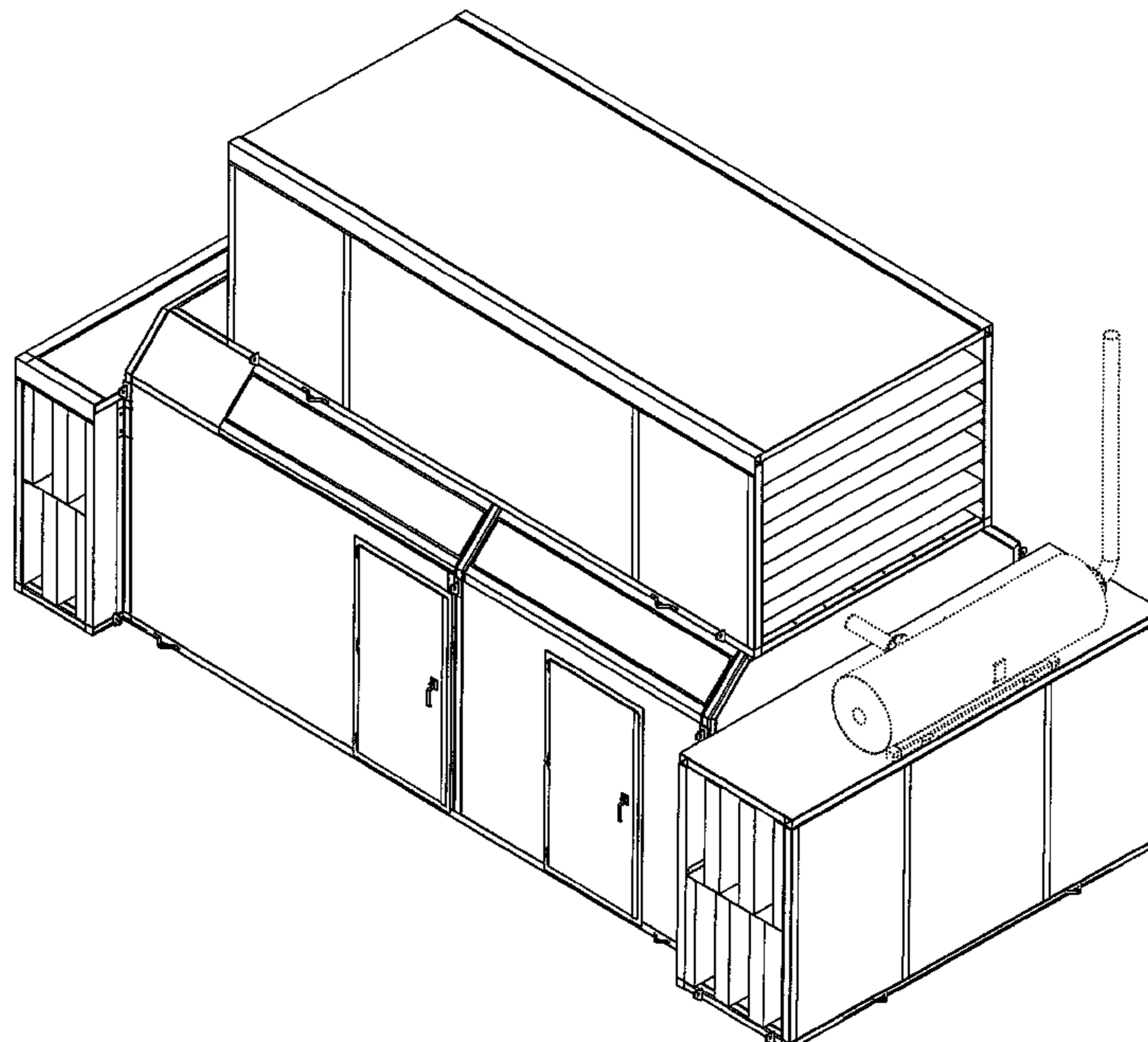
(57) **CLAIM**

The ornamental design for a noise suppression building, as shown and described.

DESCRIPTION

FIG. 1 is a front elevational view of a noise suppression building illustrating the present design;
FIG. 2 is a left side elevational view of the noise suppression building shown in FIG. 1;
FIG. 3 is a rear elevational view of the noise suppression building shown in FIG. 1;
FIG. 4 is a right side elevational view of the noise suppression building shown in FIG. 1;
FIG. 5 is a top plan view of the noise suppression building shown in FIG. 1;
FIG. 6 is a bottom plan view of the noise suppression building shown in FIG. 1;
FIG. 7 is another bottom plan view of the noise suppression building shown in FIG. 1, shown in an alternate environment without the unclaimed structure shown in FIG. 6;
FIG. 8 is a front isometric view of the noise suppression building shown in FIG. 1;
FIG. 9 is a rear isometric view of the noise suppression building shown in FIG. 1; and,
FIG. 10 is a front isometric view of the noise suppression building shown in FIG. 1 in a typical environment with a muffler.
The broken line showing in FIGS. 6, 7, and 10 is for environmental purposes only and forms no part of the claimed design.

1 Claim, 10 Drawing Sheets



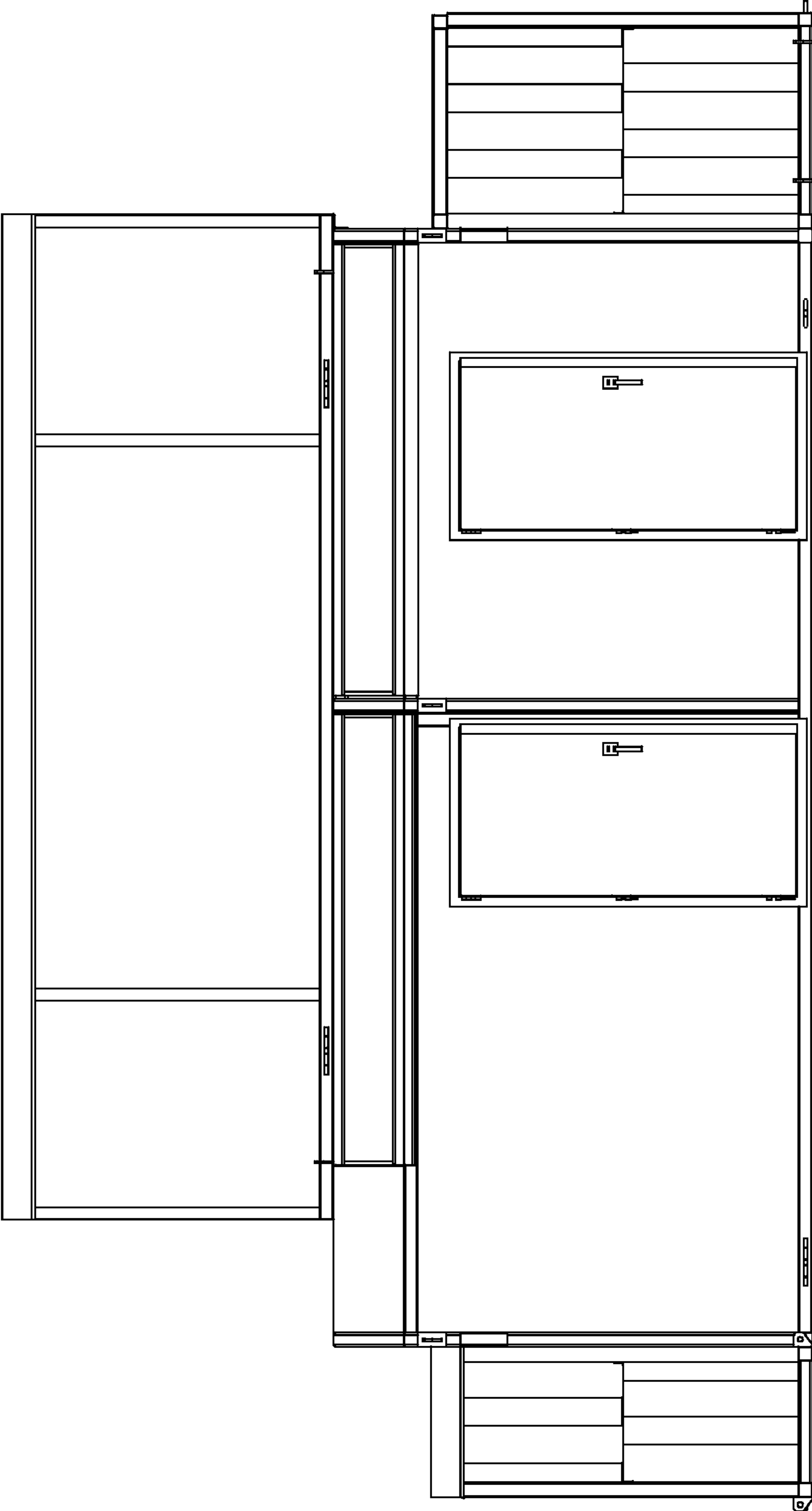


FIGURE 1

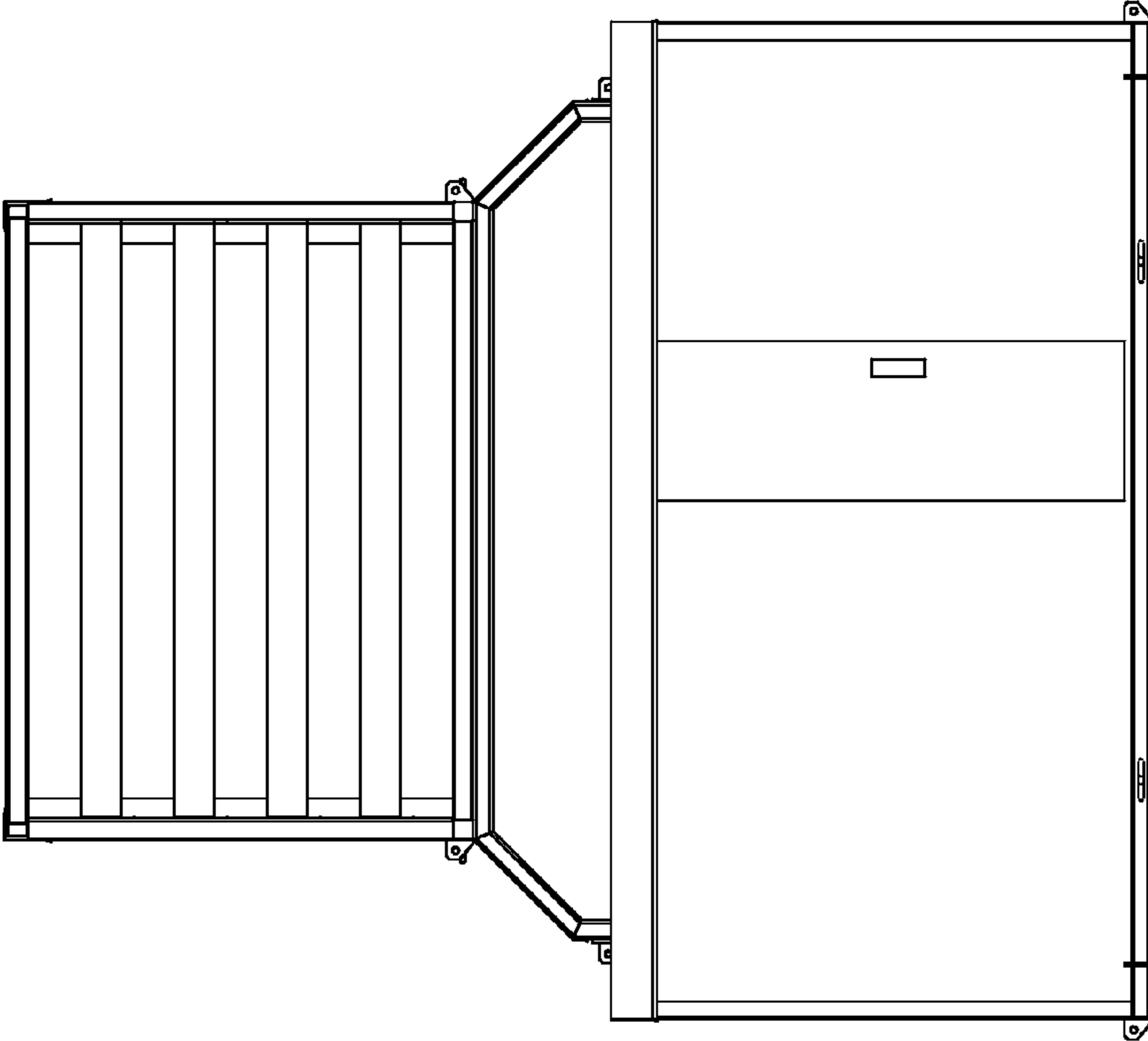


FIGURE 2

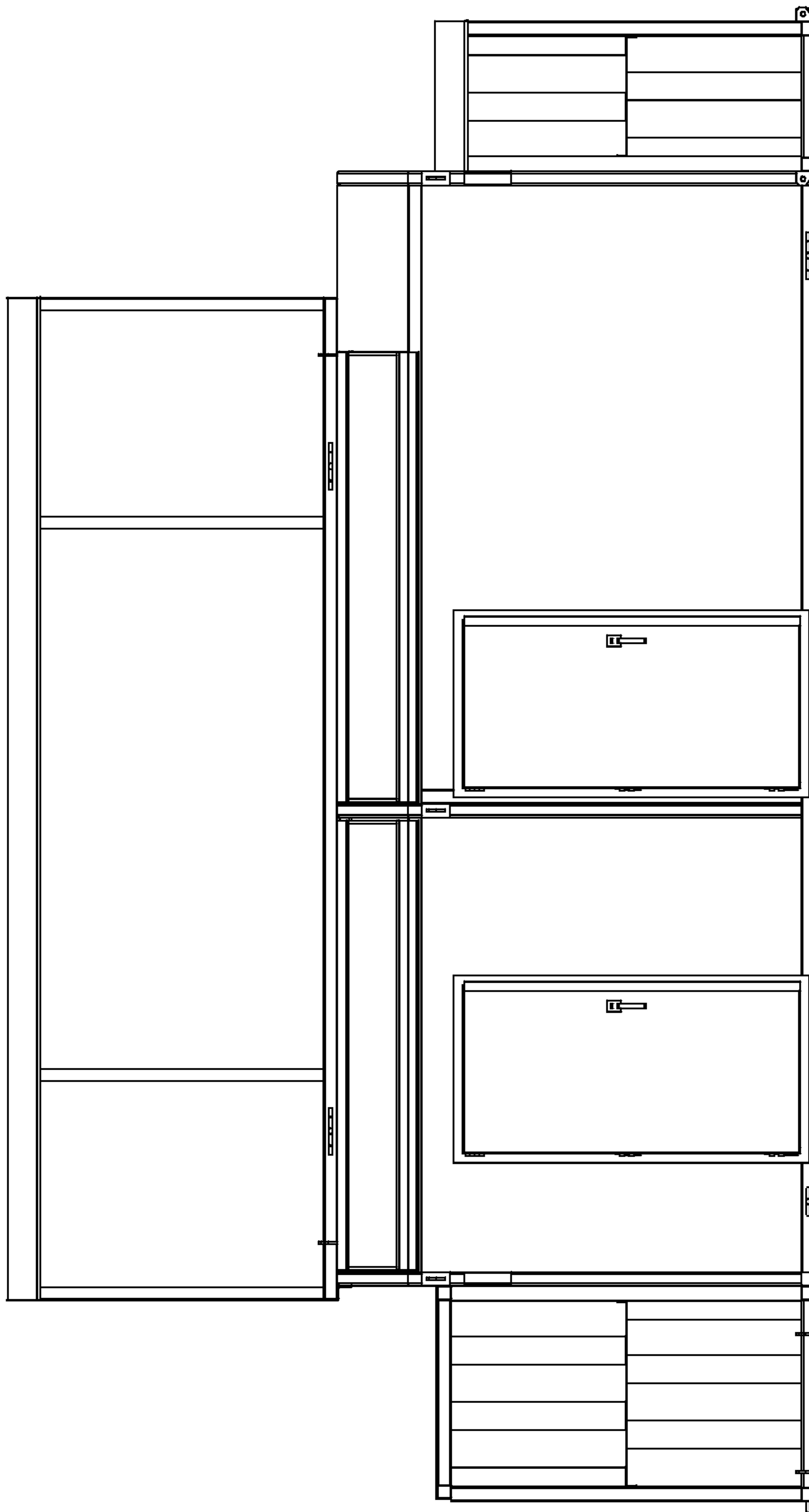


FIGURE 3

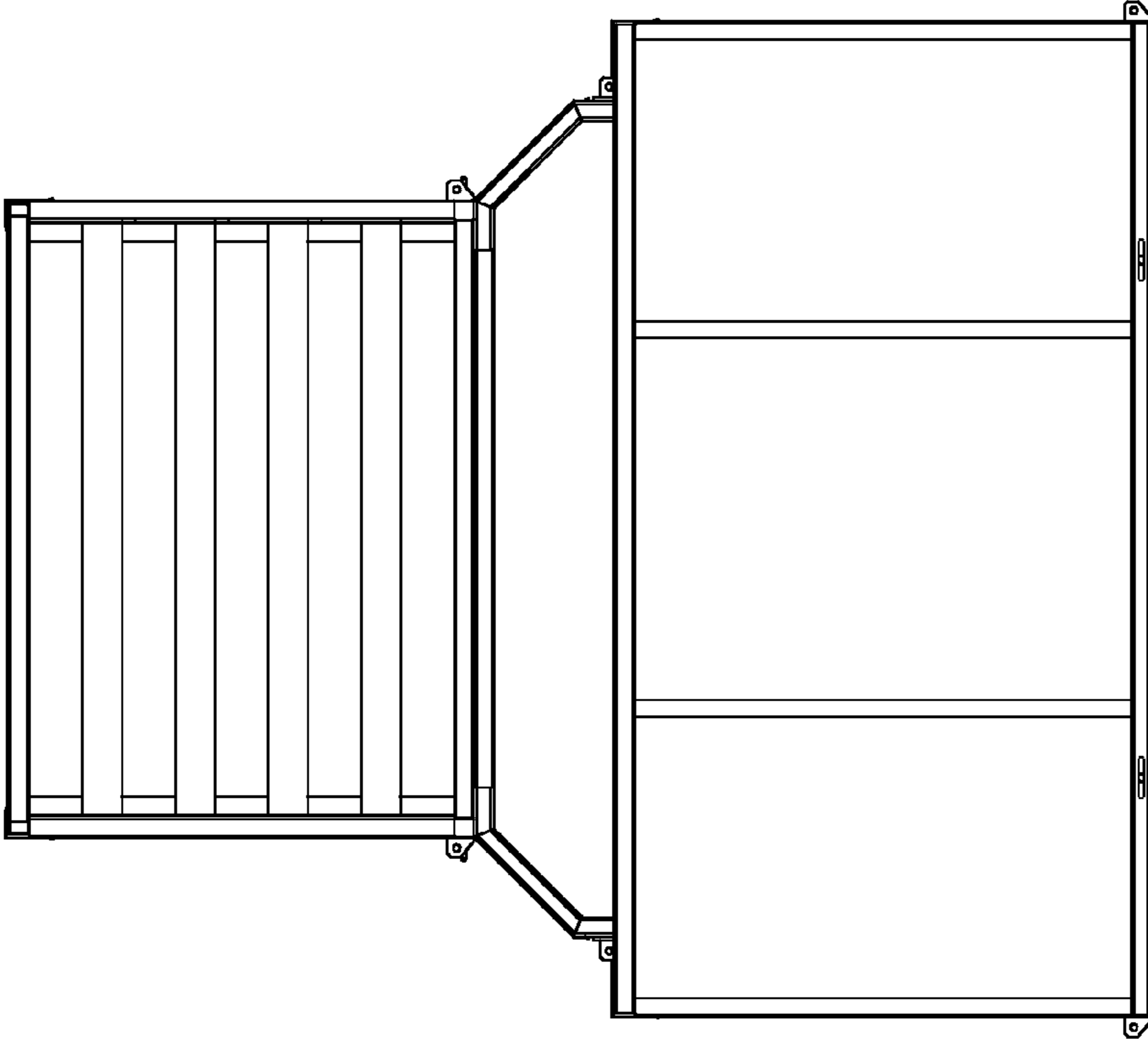


FIGURE 4

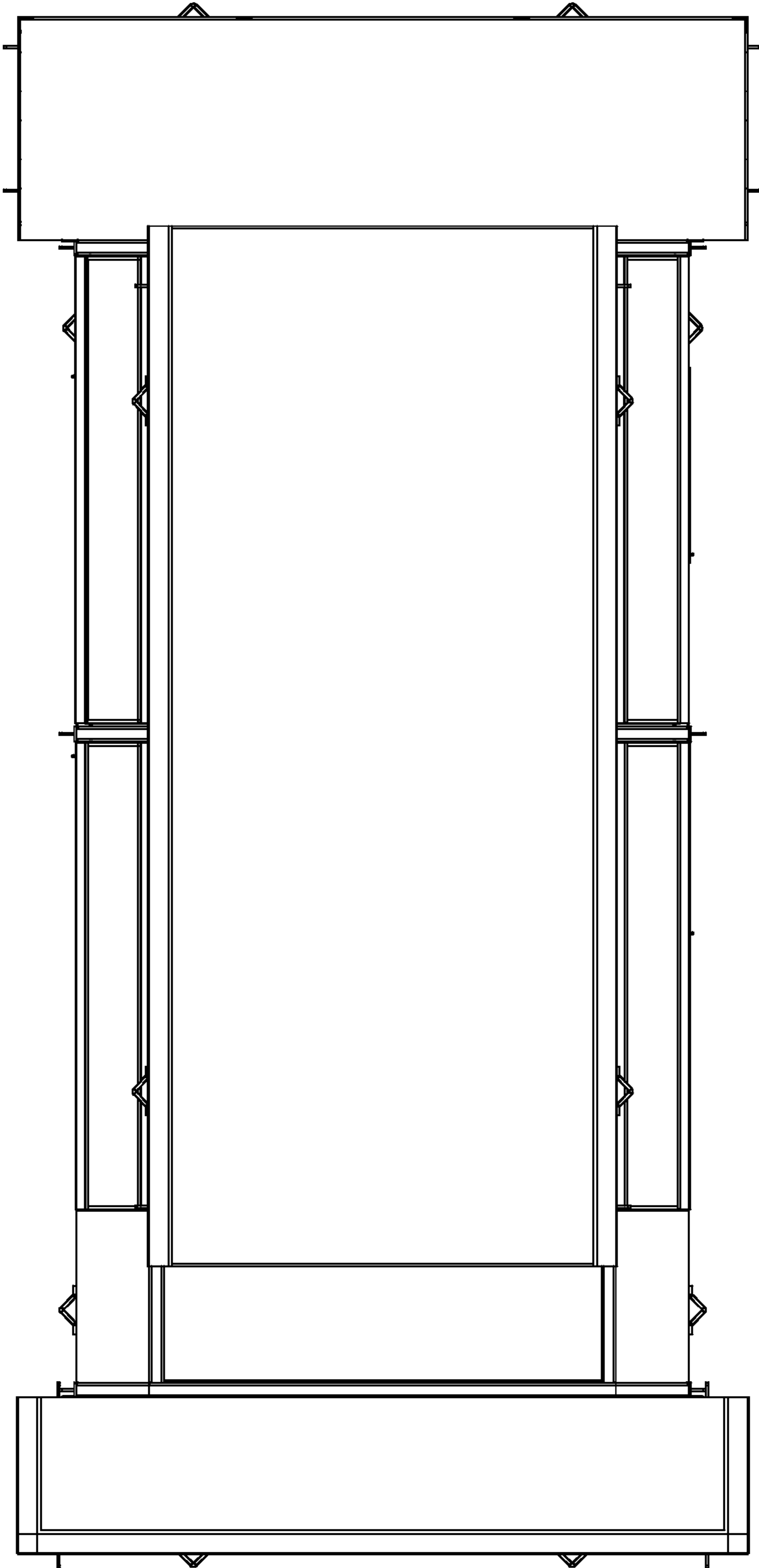


FIGURE 5

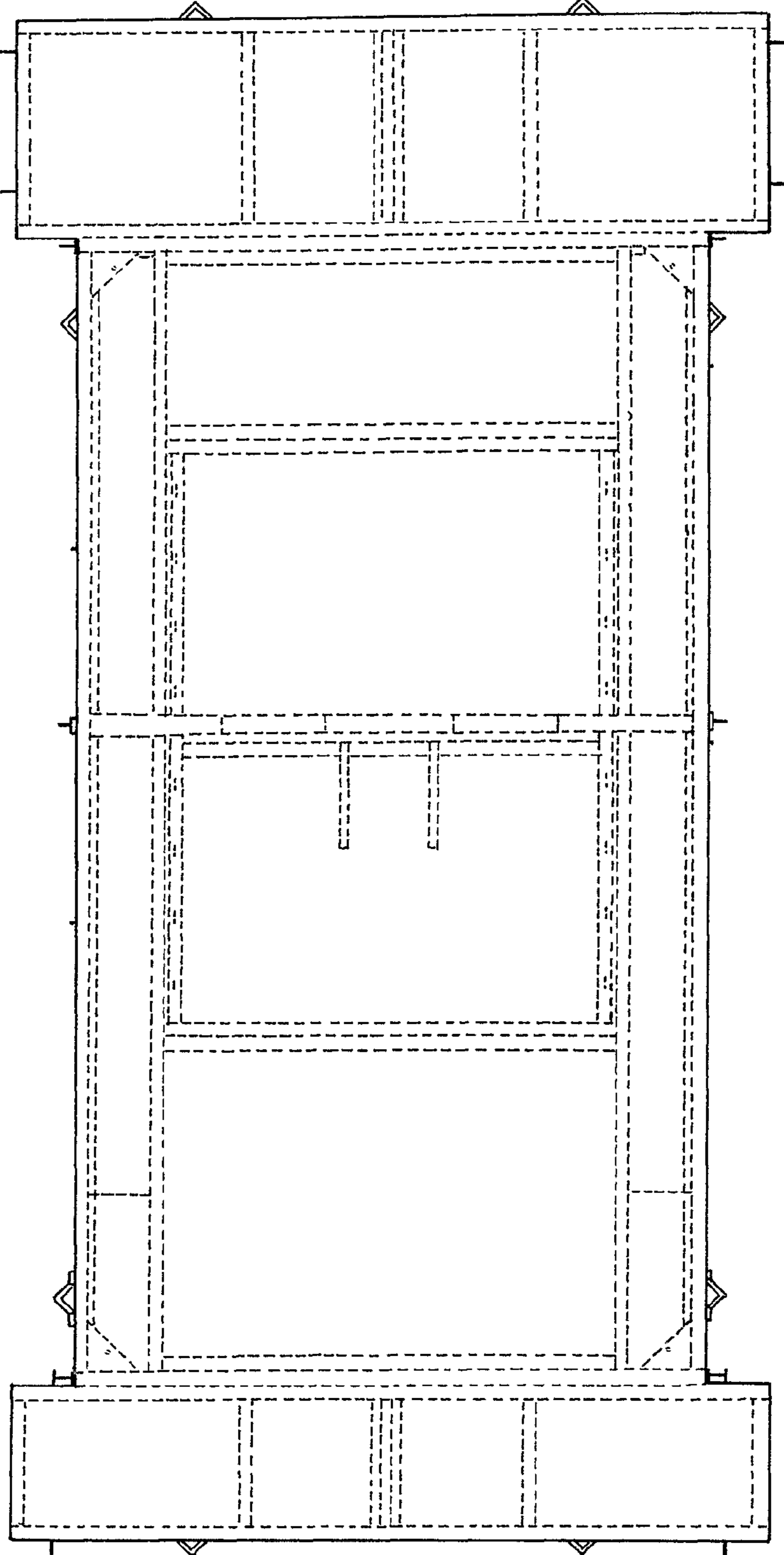


FIGURE 6

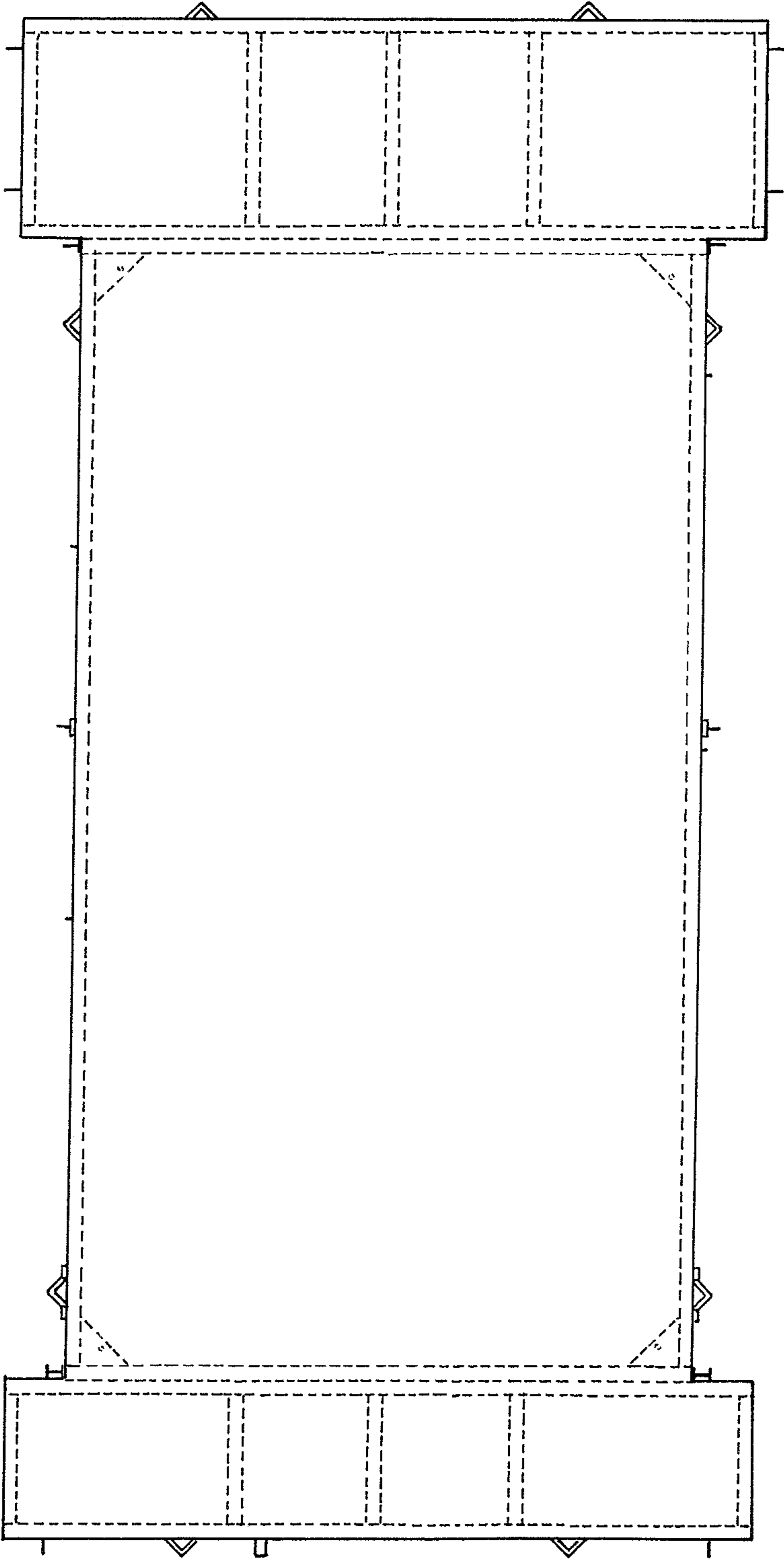


FIGURE 7

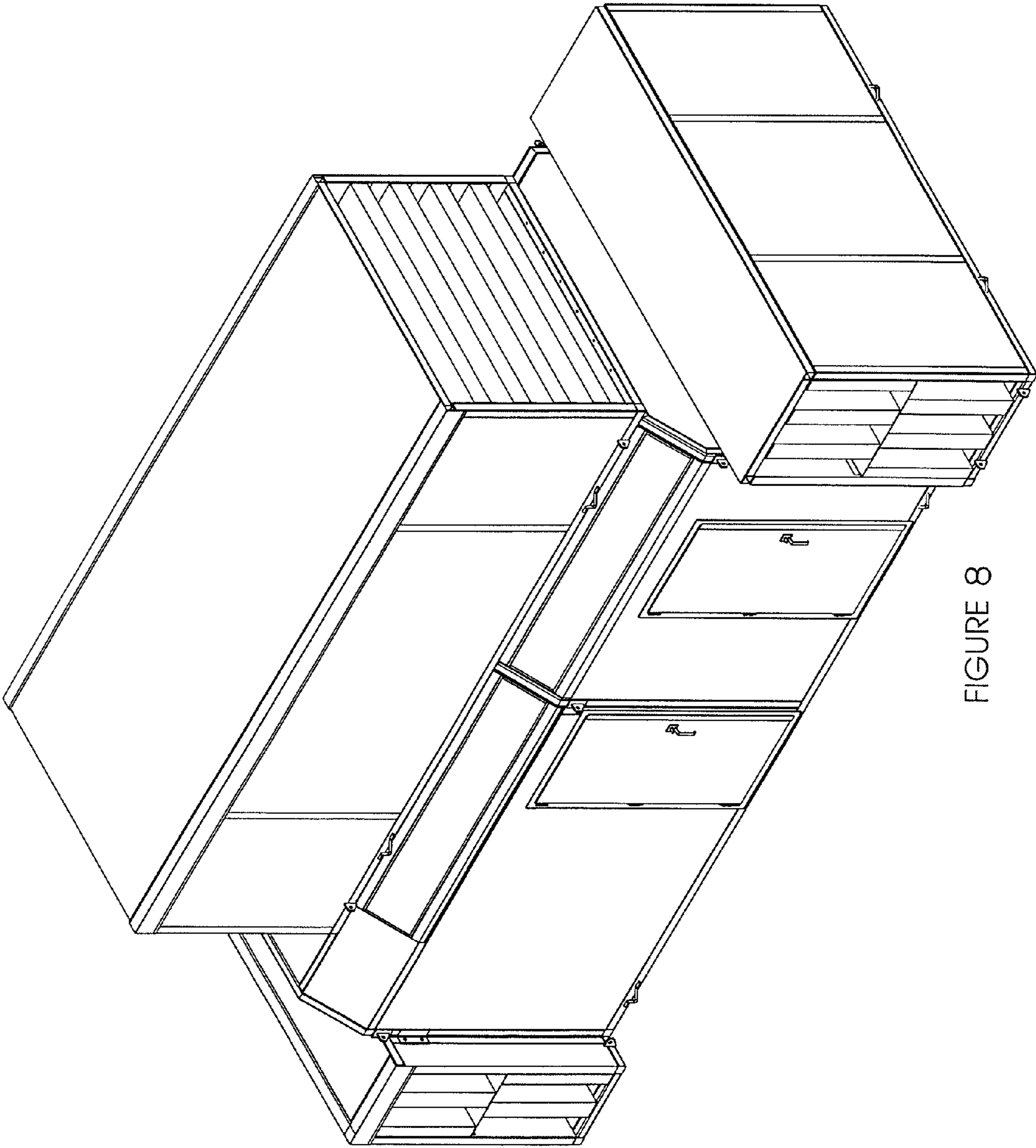


FIGURE 8

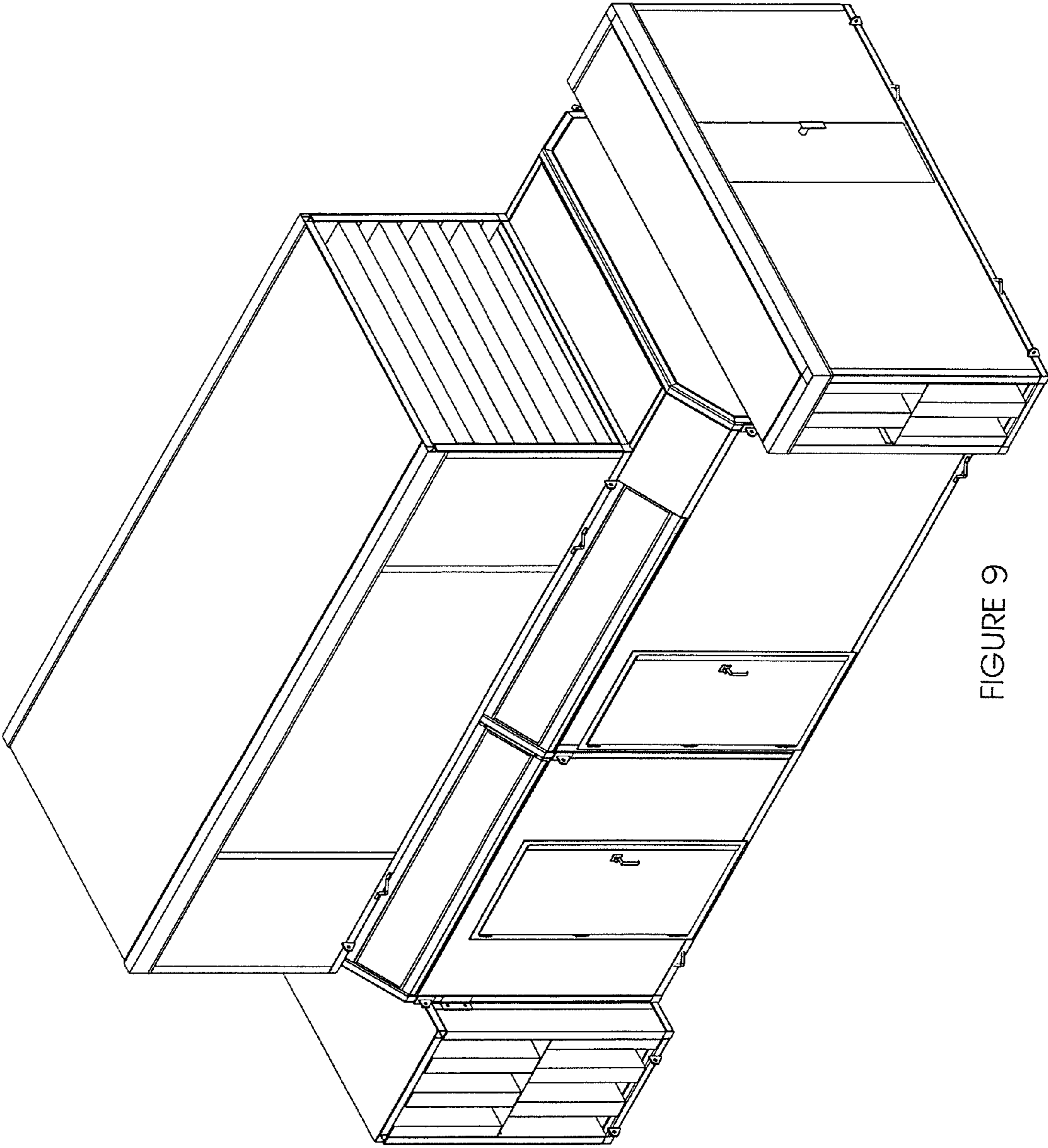


FIGURE 9

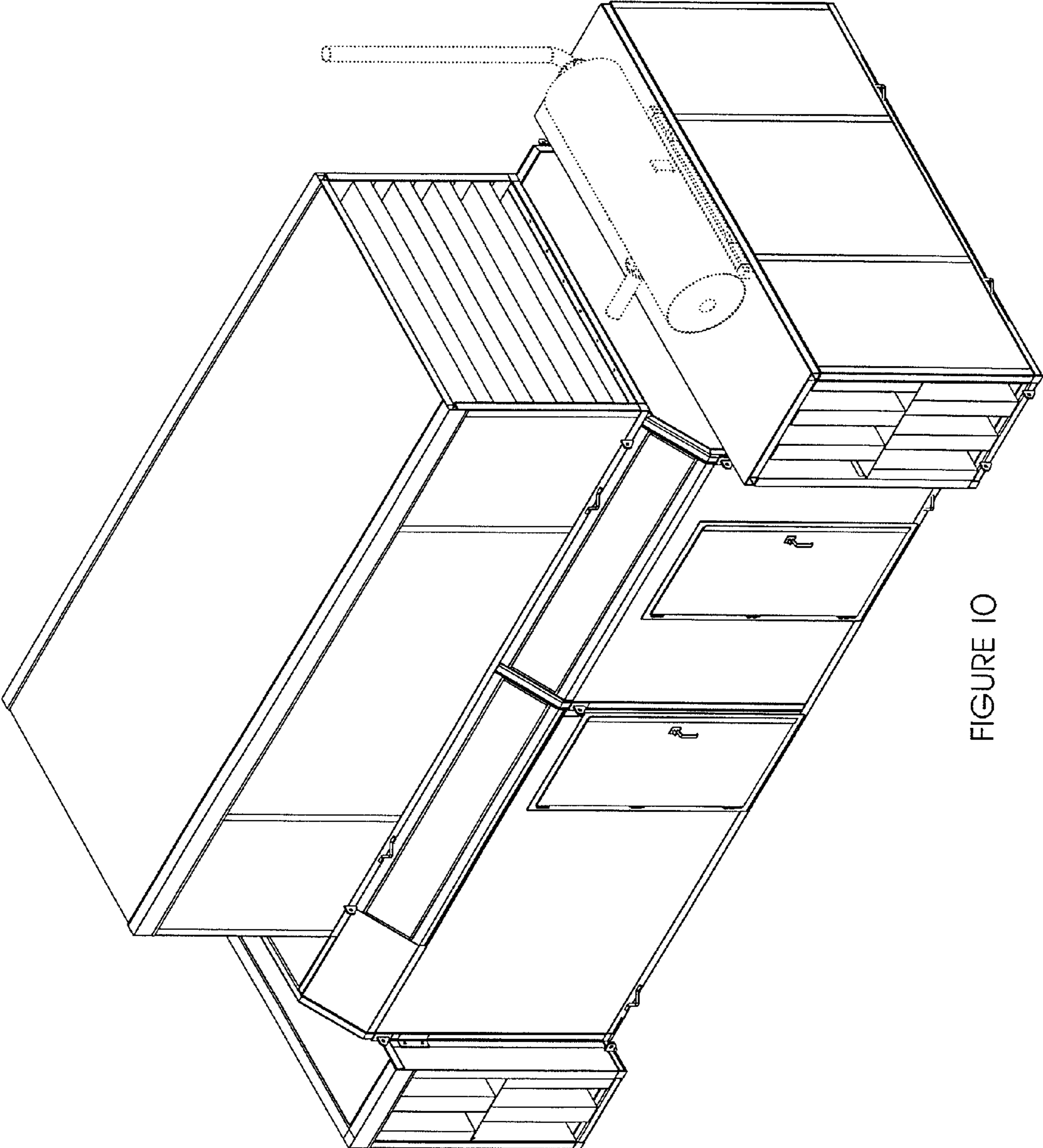


FIGURE 10