



US00D659258S

(12) **United States Design Patent**
Wang

(10) **Patent No.:** **US D659,258 S**
(45) **Date of Patent:** **** May 8, 2012**

- (54) **GAZEBO**
- (75) Inventor: **Leo Chi Hong Wang**, Arcadia, CA (US)
- (73) Assignee: **Dragon Claw U.S.A. Inc.**, Irwindale, CA (US)
- (**) Term: **14 Years**
- (21) Appl. No.: **29/408,530**
- (22) Filed: **Dec. 13, 2011**
- (51) **LOC (9) Cl.** **25-03**
- (52) **U.S. Cl.** **D25/22**
- (58) **Field of Classification Search** D25/1-33,
D25/56-57; 52/63, 74, 73, 66, 75, 78, 89
See application file for complete search history.

- D483,128 S * 12/2003 Wang D25/56
- D483,498 S * 12/2003 Wang D25/56
- D500,368 S * 12/2004 Wang D25/56
- D500,369 S * 12/2004 Wang D25/56
- D500,858 S * 1/2005 Wang D25/56
- D501,049 S * 1/2005 Wang D25/56
- D501,259 S * 1/2005 Wang D25/56
- D501,681 S * 2/2005 Wang D25/56
- D532,116 S * 11/2006 Merritt D25/56
- 7,963,072 B2 * 6/2011 Anderson et al. 52/82

* cited by examiner

Primary Examiner — T. Chase Nelson

Assistant Examiner — Eric Goodman

(74) *Attorney, Agent, or Firm* — White-Welker & Welker, LLC; Matthew T. Welker, Esq.

(57) **CLAIM**
The ornamental design for a gazebo, as shown and described.

(56) **References Cited**

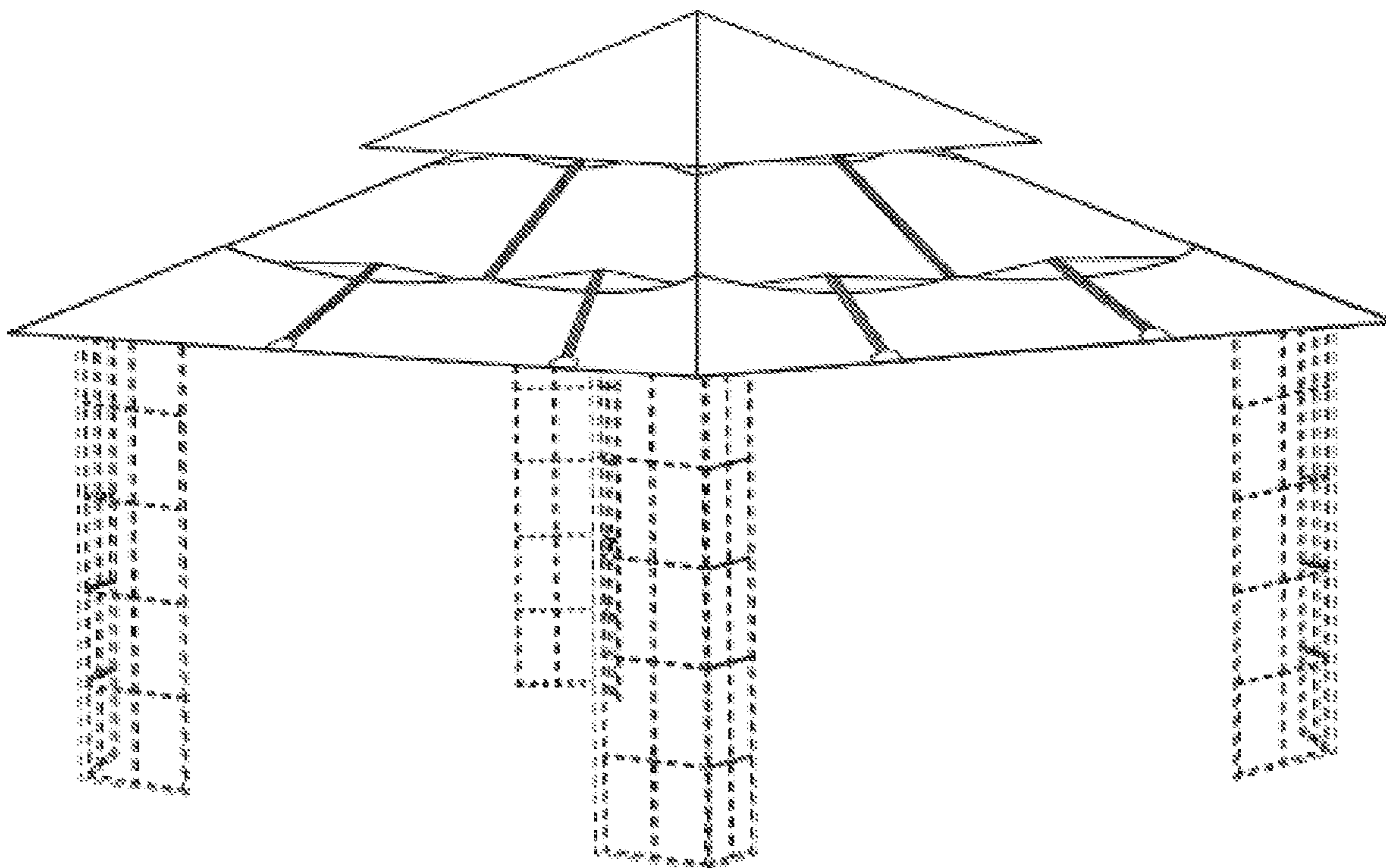
DESCRIPTION

U.S. PATENT DOCUMENTS

1,531,434	A	*	3/1925	Douse	52/36.2
2,358,704	A	*	9/1944	Goudy	52/236.1
3,017,893	A	*	1/1962	Greenbie	135/122
3,068,534	A	*	12/1962	Hu	52/91.3
D196,498	S	*	10/1963	McClenahan	D25/22
D216,105	S	*	11/1969	Beck	D25/56
3,513,608	A	*	5/1970	Nagrod	52/82
D251,803	S	*	5/1979	Sklaar	D25/26
4,332,116	A	*	6/1982	Buchanan	52/82
4,733,508	A	*	3/1988	Greenblatt	52/91.1
4,739,594	A	*	4/1988	Langford et al.	52/82
D473,322	S	*	4/2003	Wang	D25/56
D473,660	S	*	4/2003	Wang	D25/56
D482,130	S	*	11/2003	Wu	D25/56

FIG. 1 is an elevated perspective corner view of the gazebo of the present design;
 FIG. 2 is a side plan view of the gazebo of the present design; the opposite and adjacent side views being identical thereto;
 FIG. 3 is a top plan view of the gazebo of the present design;
 FIG. 4 is a bottom plan view of the gazebo of the present design; and,
 FIG. 5 is a front perspective side view of the gazebo of the present design.
 The broken lines depict portions of the gazebo that form no part of the claimed design.

1 Claim, 5 Drawing Sheets



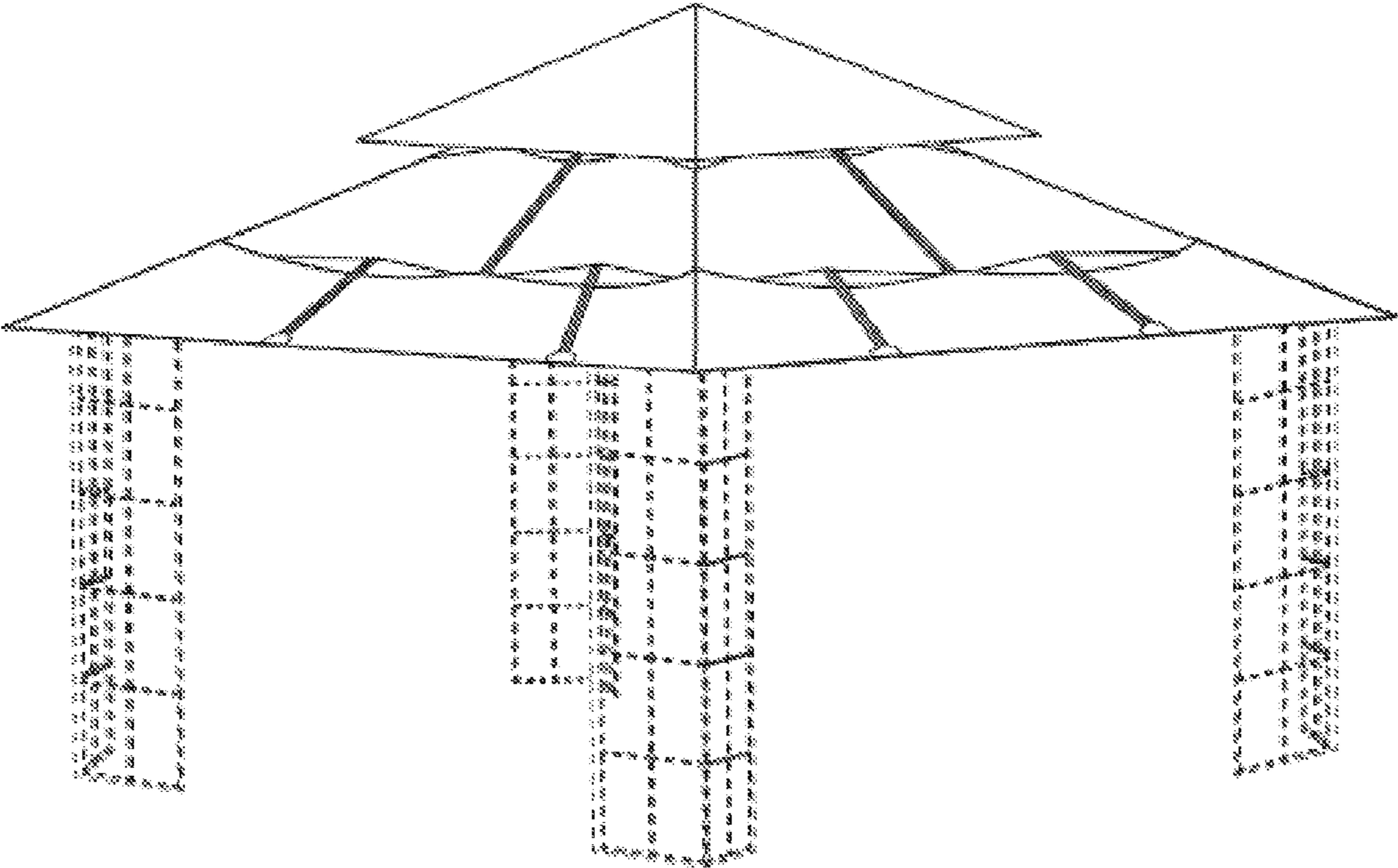


FIG. 1

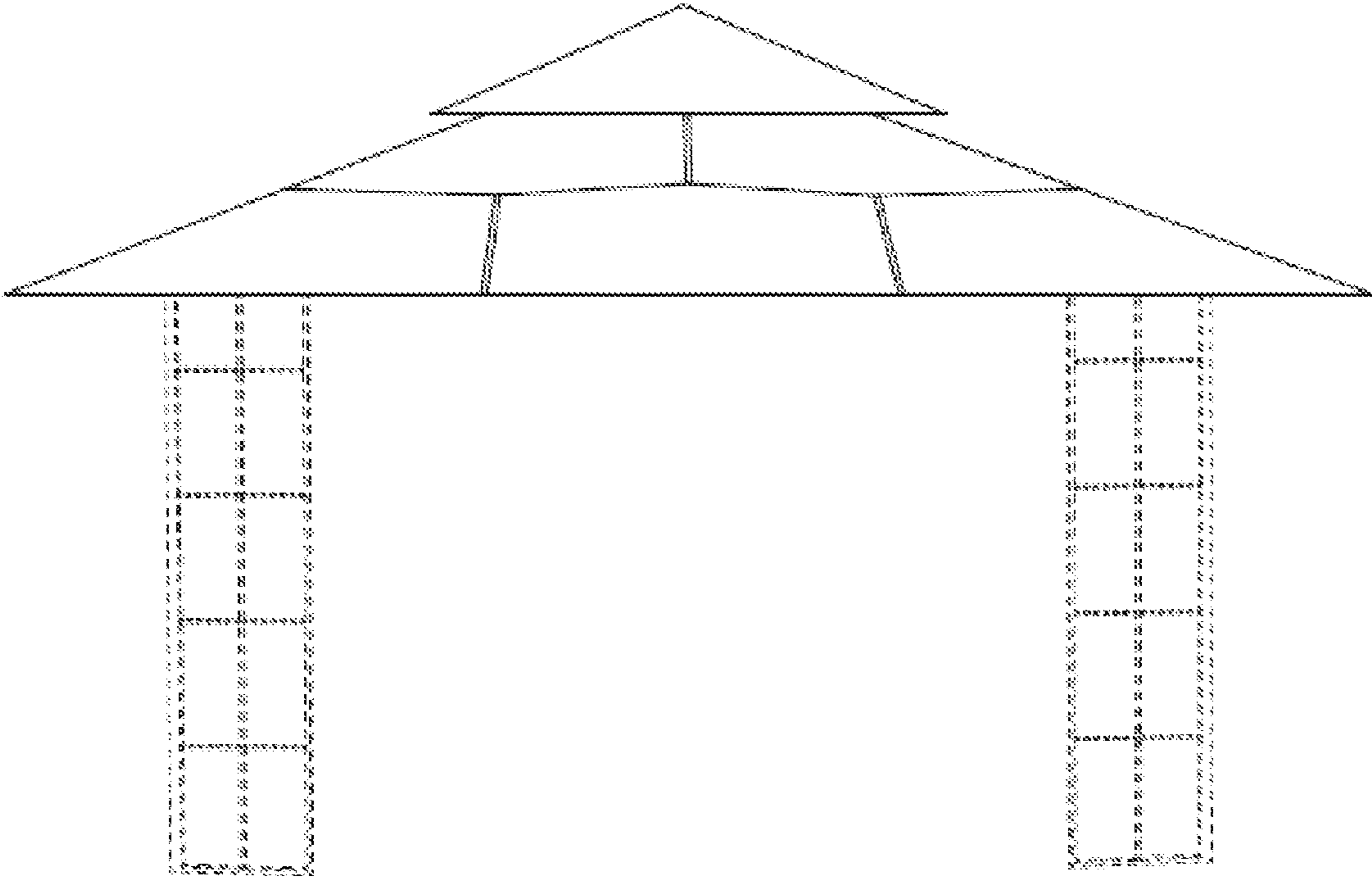


FIG. 2

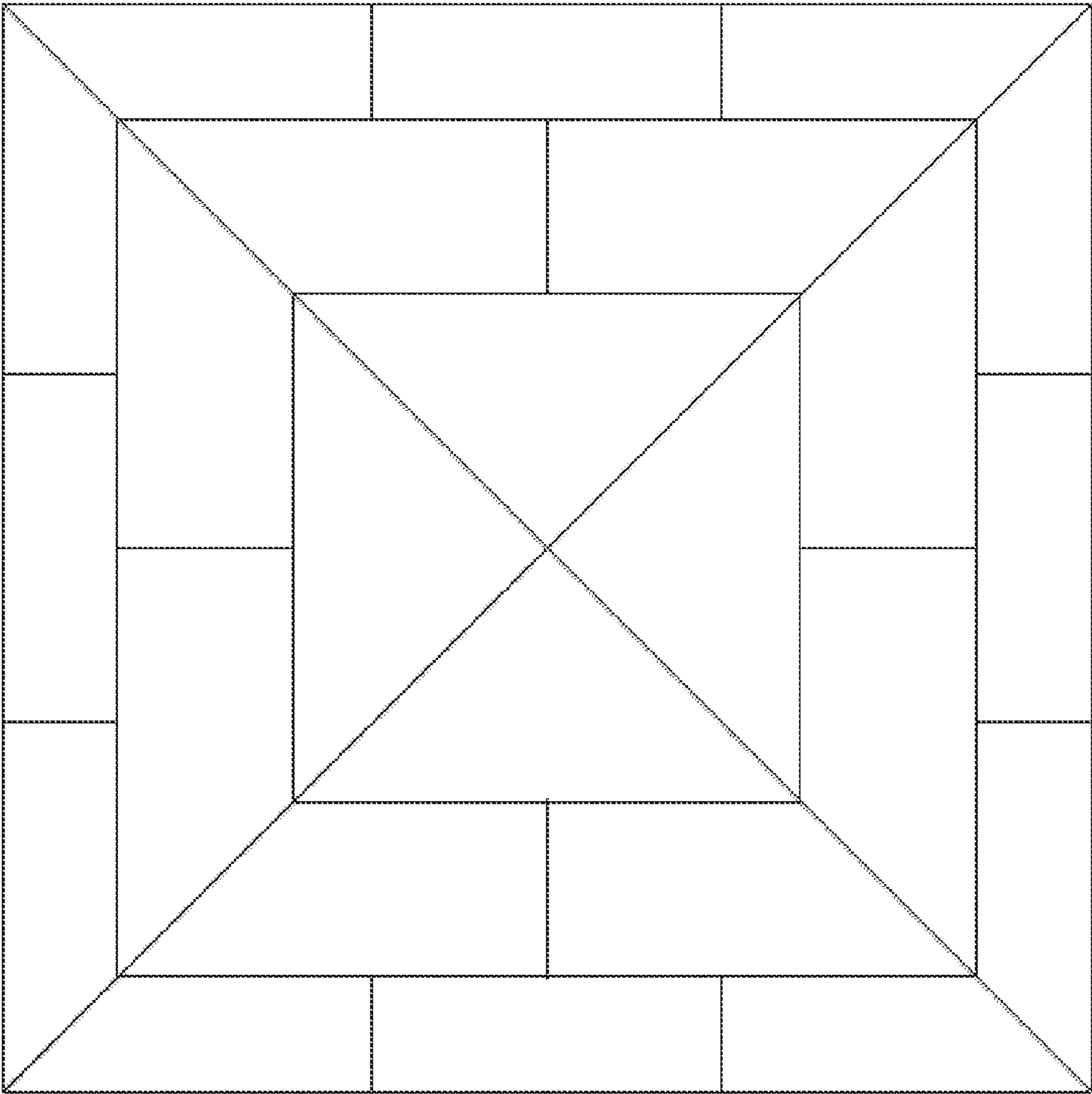


FIG. 3

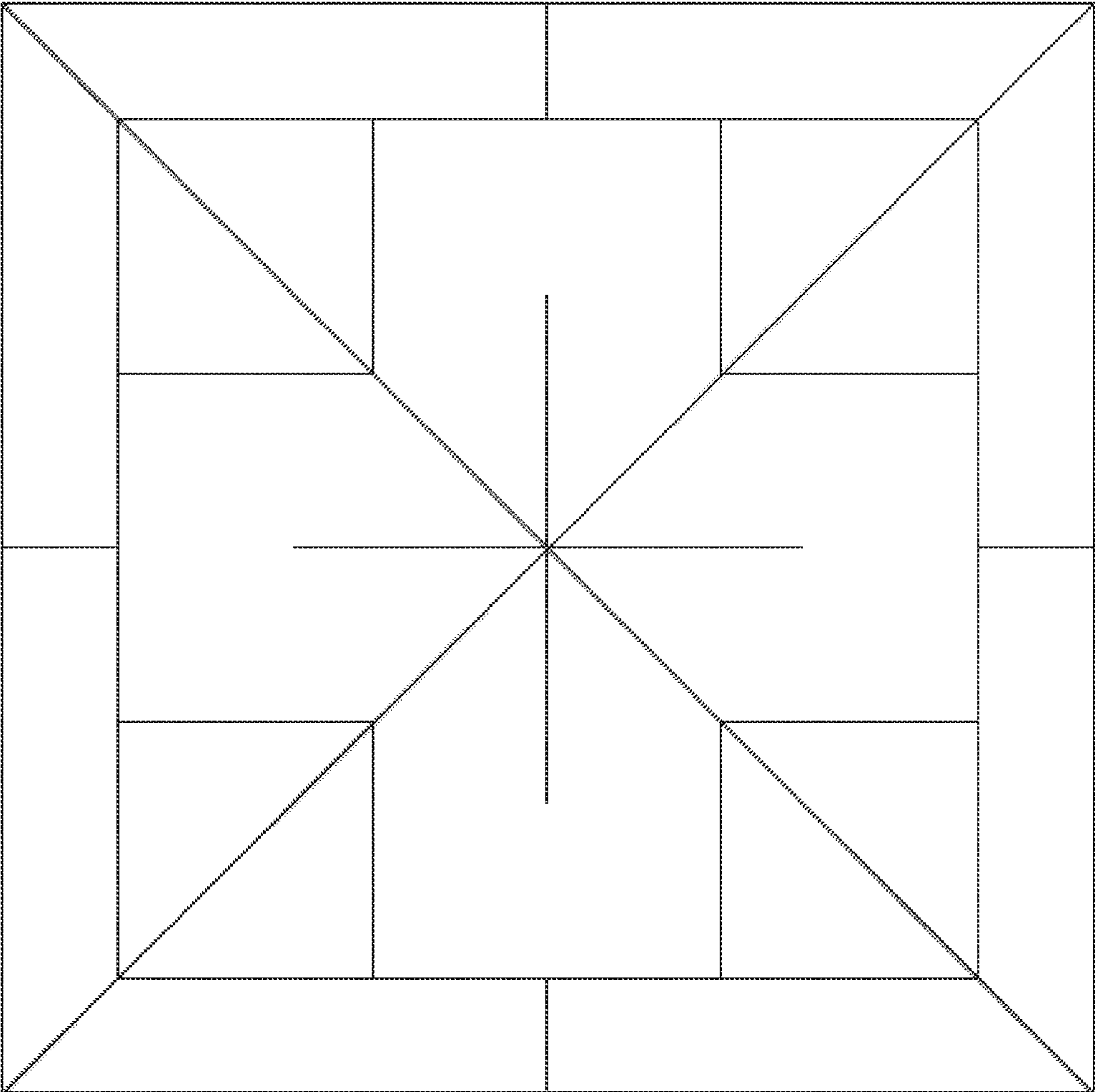


FIG. 4

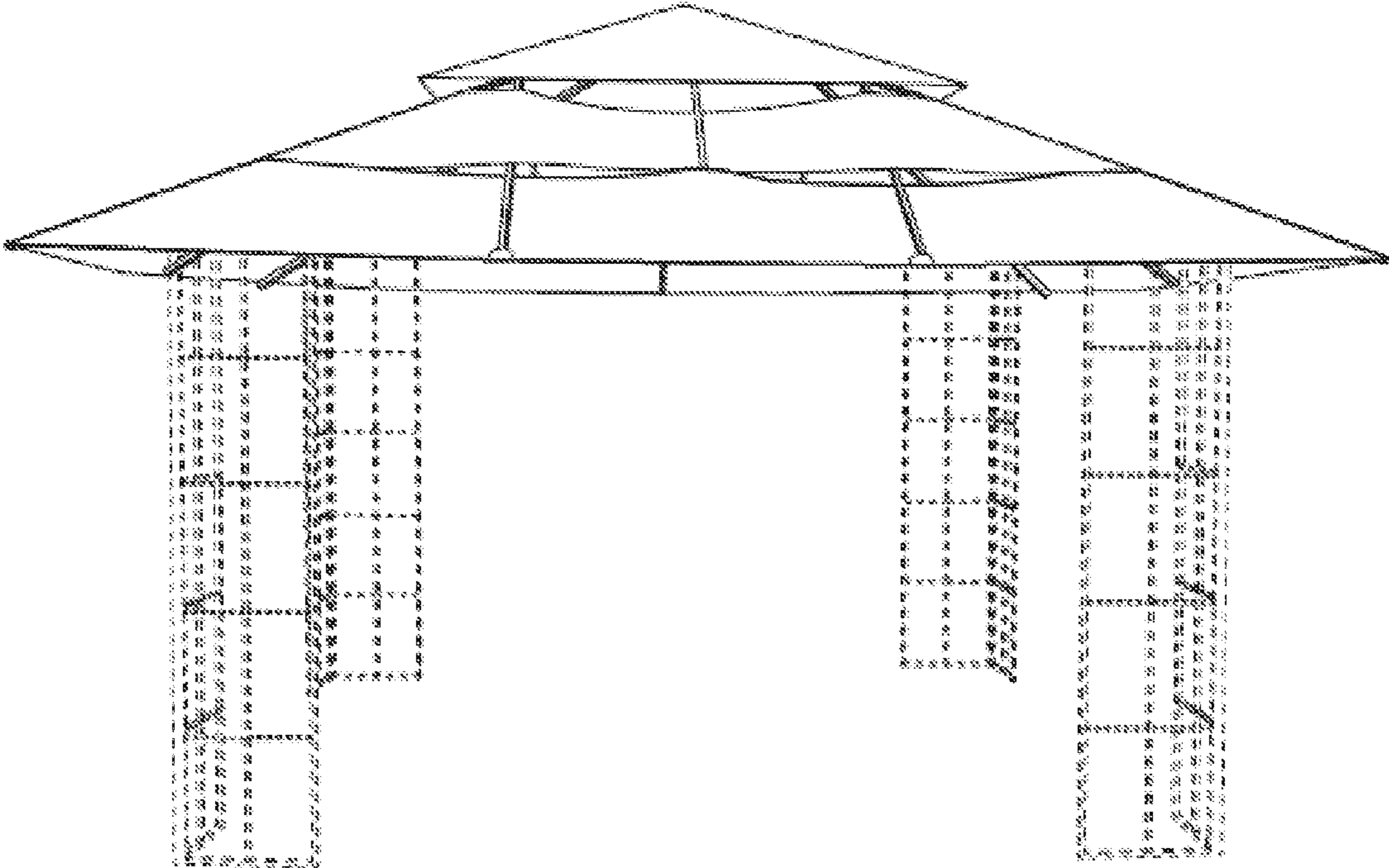


FIG. 5