



US00D659254S

(12) **United States Design Patent**
Miyashita et al.

(10) **Patent No.:** **US D659,254 S**

(45) **Date of Patent:** **** May 8, 2012**

(54) **SAMPLE COLLECTOR**

(75) Inventors: **Noe Miyashita**, Tokyo (JP); **Koji Seo**,
Tokyo (JP); **Matsuo Kamitani**, Tokyo
(JP)

(73) Assignee: **Hitachi Plant Technologies, Ltd.**,
Tokyo (JP)

(**) Term: **14 Years**

(21) Appl. No.: **29/347,861**

(22) Filed: **Jun. 24, 2010**

(30) **Foreign Application Priority Data**

Dec. 24, 2009 (JP) 2009-030051

(51) **LOC (9) Cl.** **24-01**

(52) **U.S. Cl.** **D24/216**

(58) **Field of Classification Search** D24/216-232,
D24/186, 107, 108, 121; D3/201, 203.1,
D3/203.2, 202; D10/81; 422/500, 547, 554,
422/556, 63; 356/246; 220/608, 669; 215/377,
215/382; 435/288.1, 288.2, 304.1, 304.2

See application file for complete search history.

(56) **References Cited**

U.S. PATENT DOCUMENTS

D249,708	S	*	9/1978	Smith et al.	D24/224
D322,323	S	*	12/1991	Moir	D24/224
D346,661	S	*	5/1994	Thomson	D24/224
D362,184	S	*	9/1995	Carr	D24/224
D407,825	S	*	4/1999	Childs et al.	D24/223
D431,867	S	*	10/2000	Maynard et al.	D24/216
D467,665	S	*	12/2002	Niedbala et al.	D24/223

* cited by examiner

Primary Examiner — Anhdao Doan

(74) *Attorney, Agent, or Firm* — Stites & Harbison, PLLC;
Juan Carlos A. Marquez, Esq.

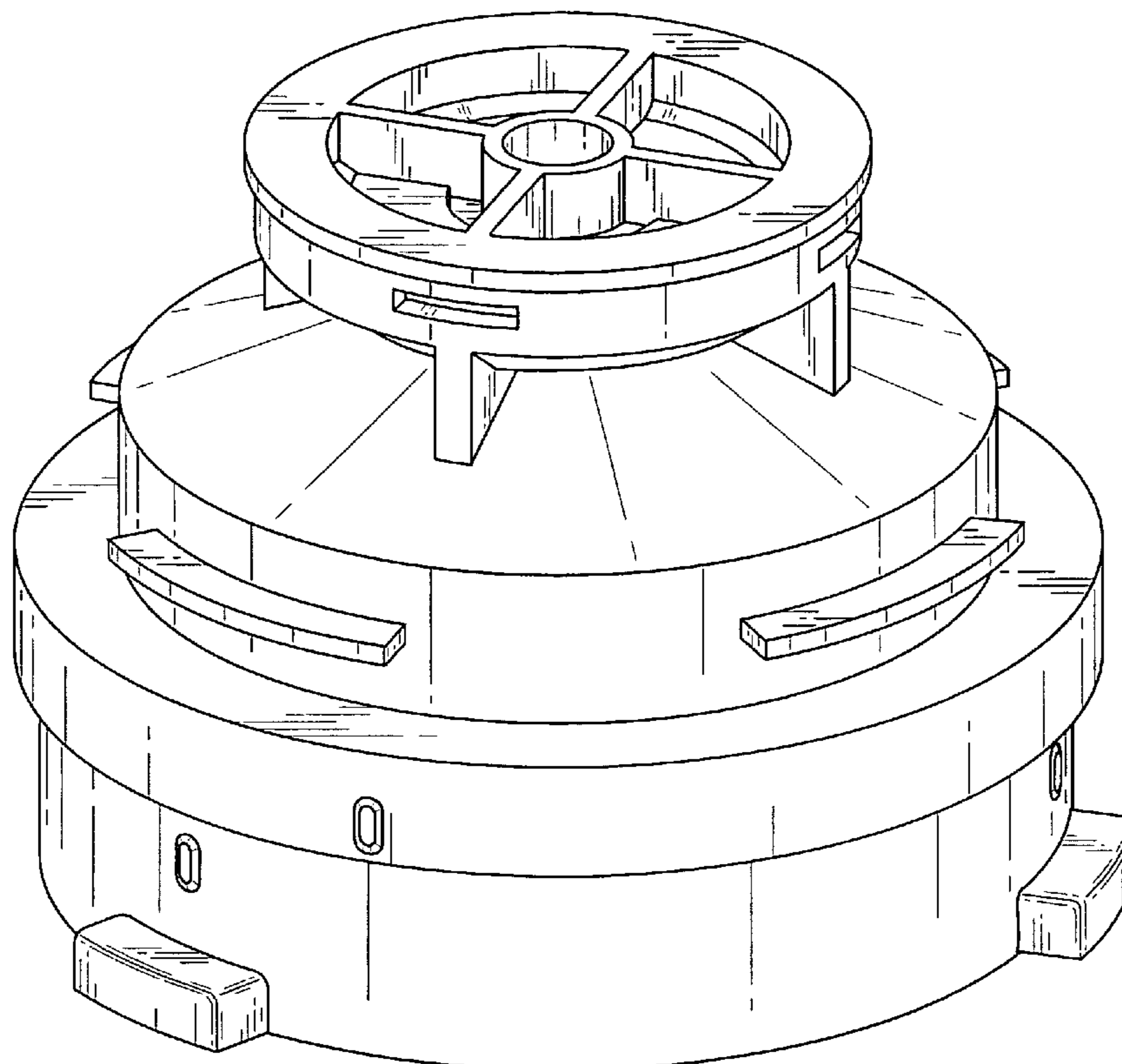
(57) **CLAIM**

The ornamental design for a sample collector, as shown and described.

DESCRIPTION

FIG. 1 is a front elevation view of a sample collector;
FIG. 2 is a rear elevation view thereof;
FIG. 3 is a top plan view thereof;
FIG. 4 is a bottom plan view thereof;
FIG. 5 is a left side elevation view thereof;
FIG. 6 is a right side view thereof; and,
FIG. 7 is a top and right perspective thereof.
The portions of the sample collector, shown in broken lines in FIG. 4, do not form part of the claimed design.

1 Claim, 7 Drawing Sheets



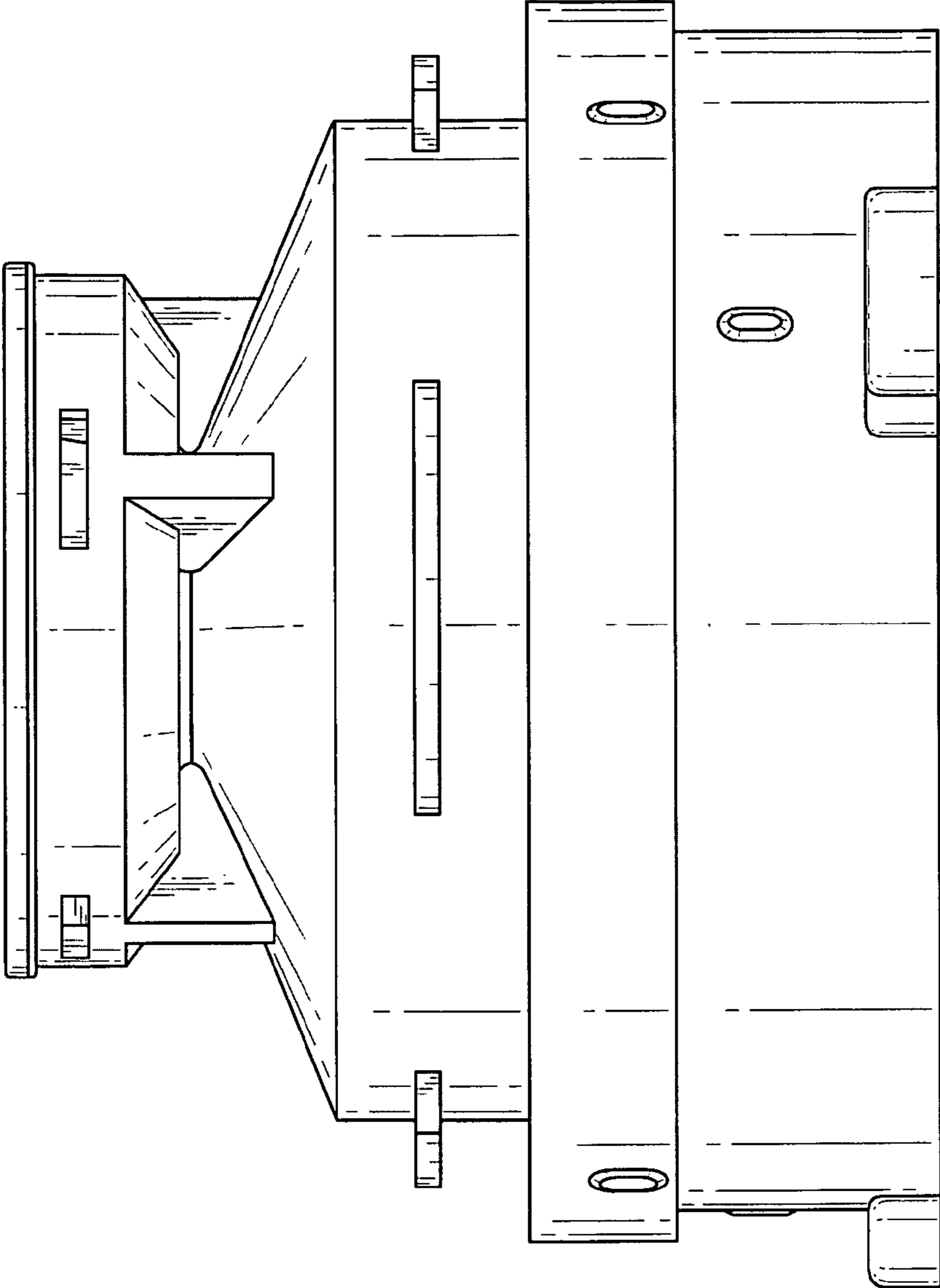


FIG. 1

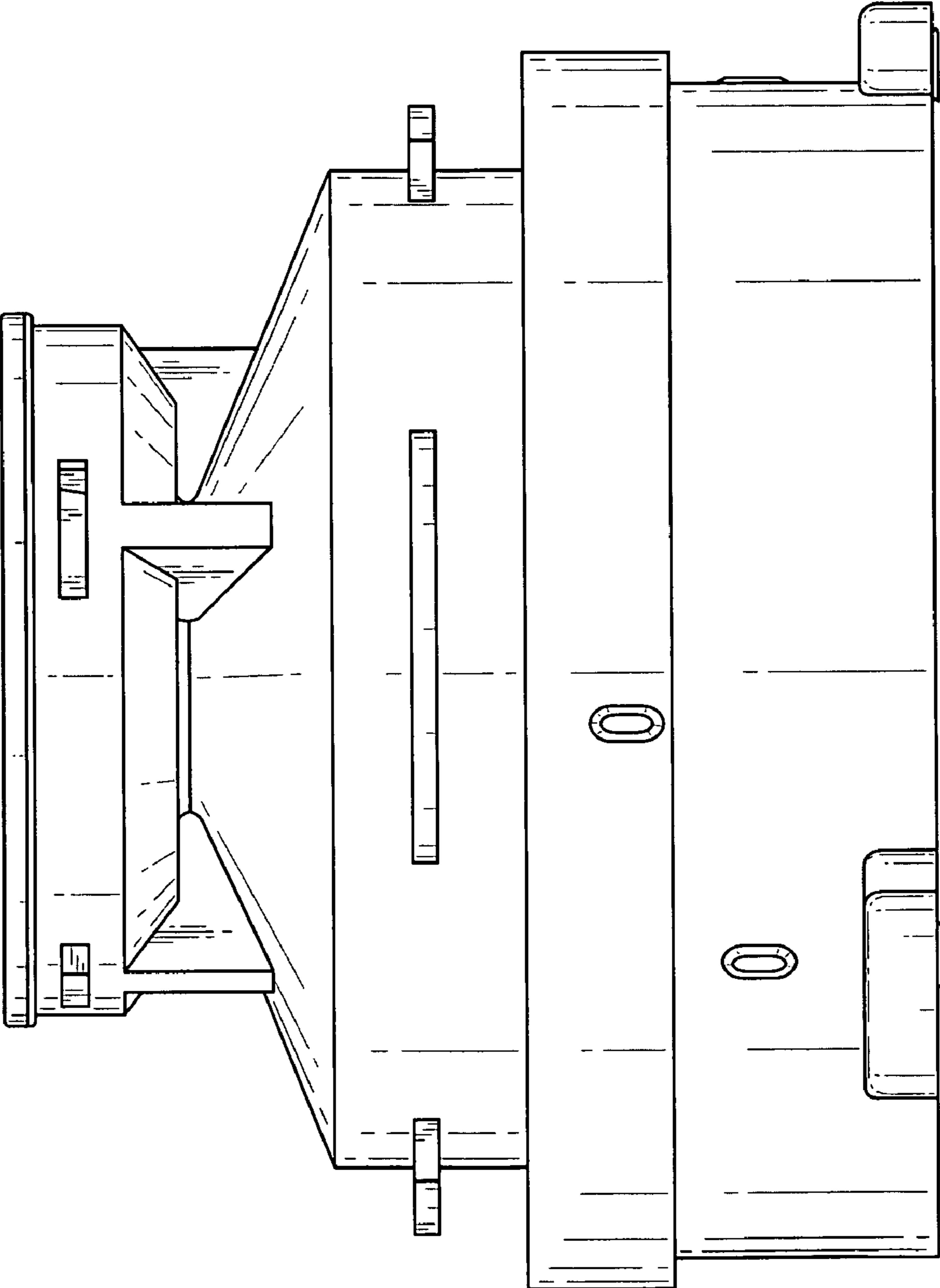


FIG. 2

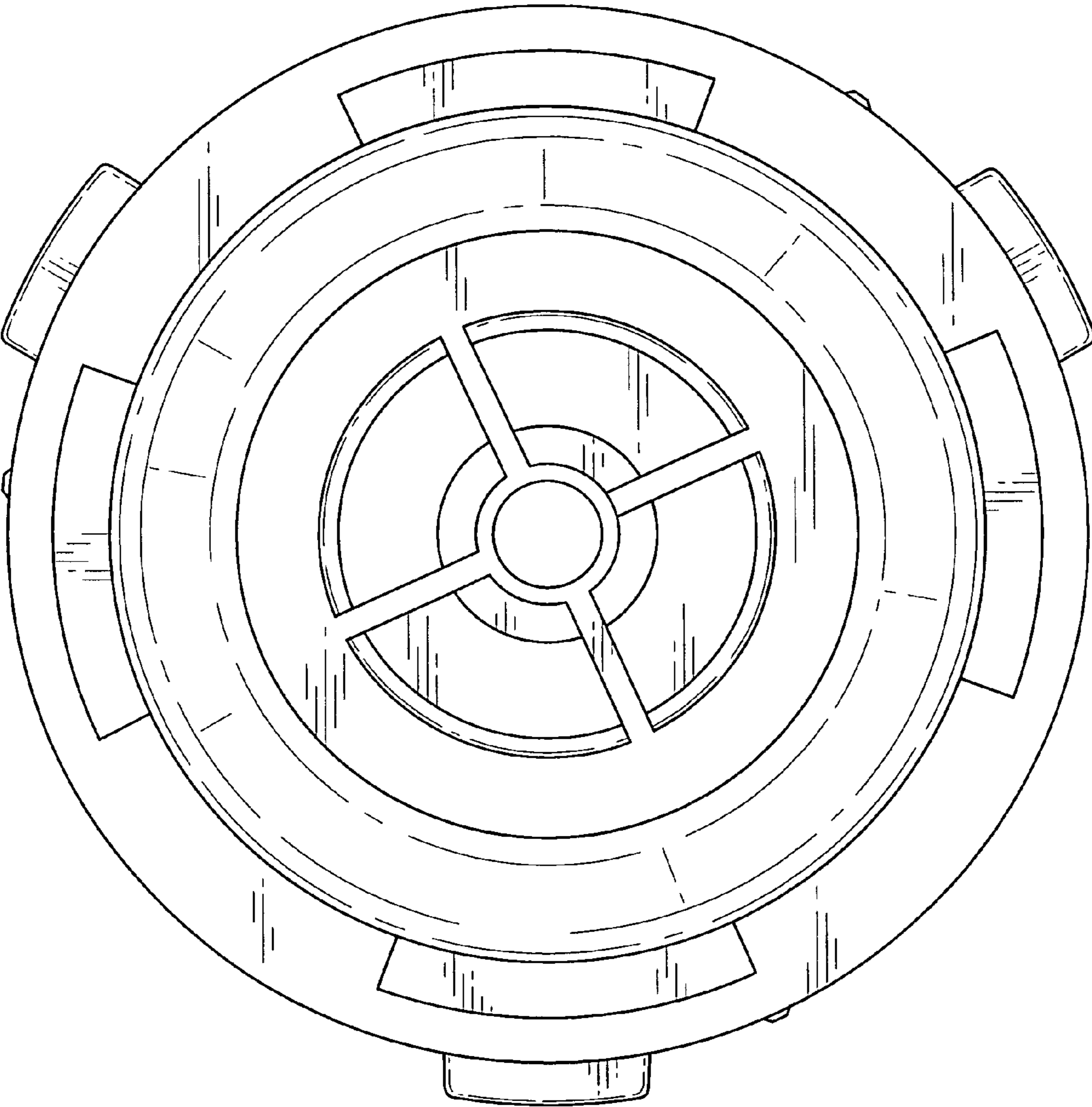


FIG. 3

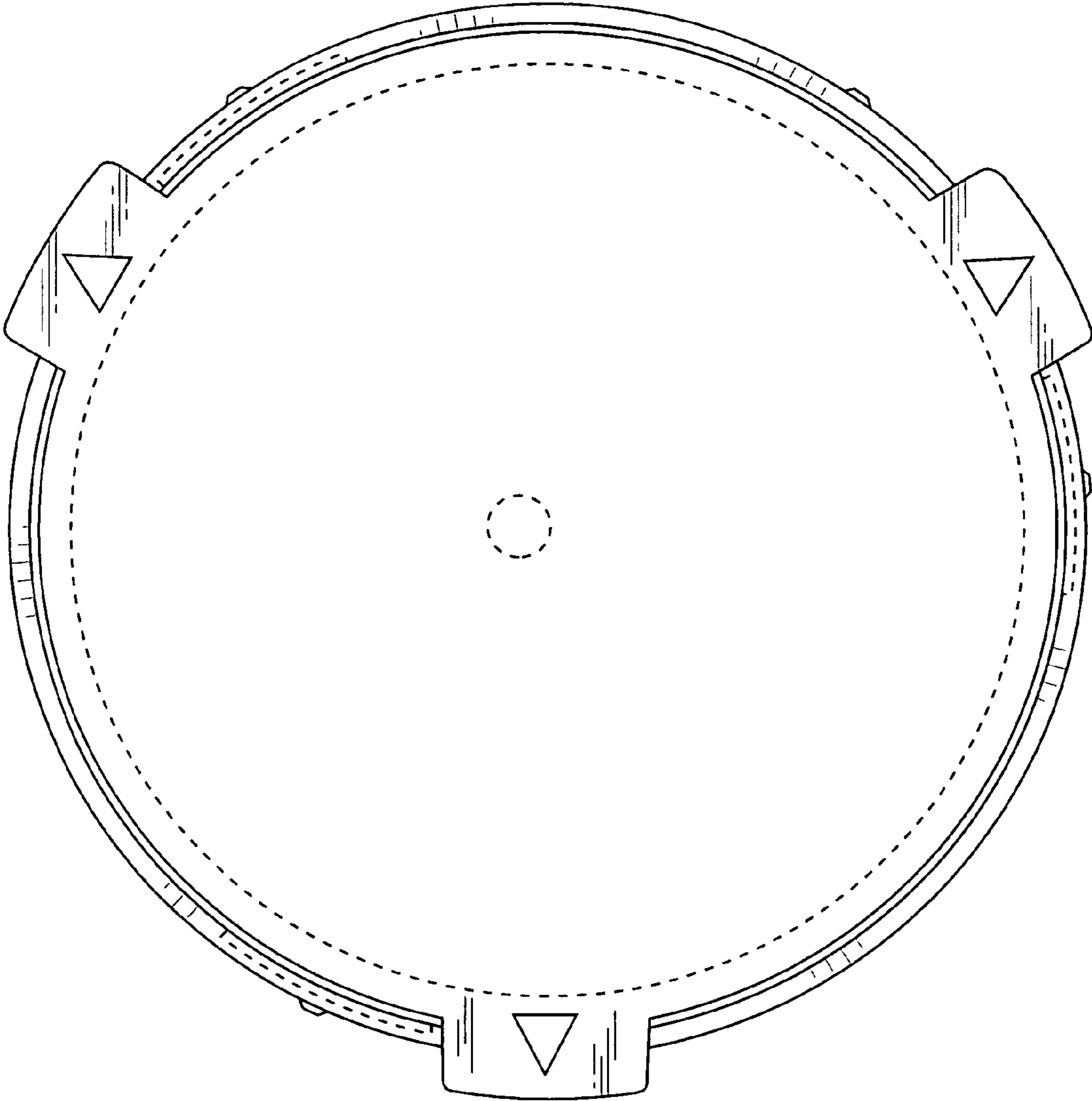


FIG. 4

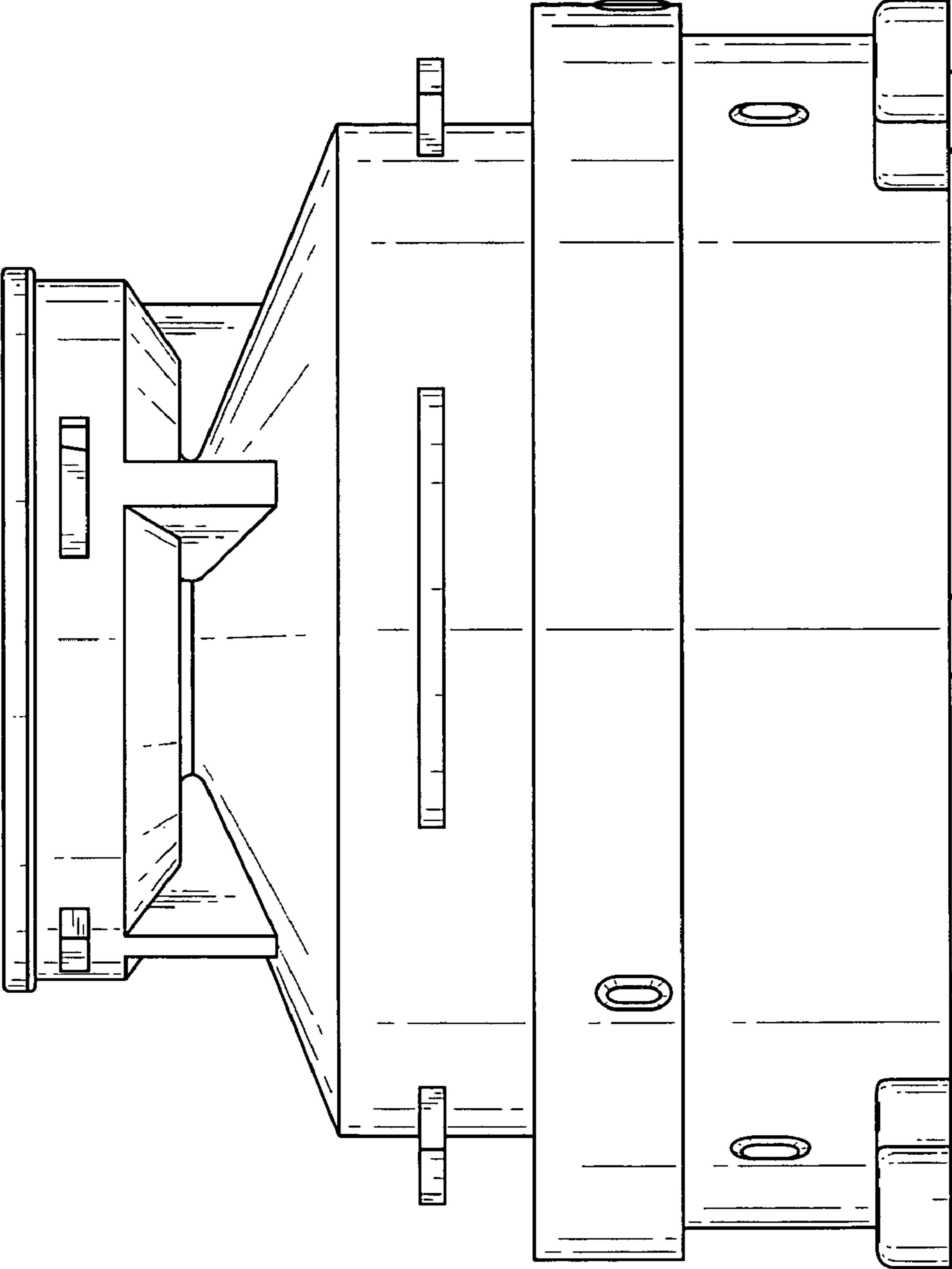


FIG. 5

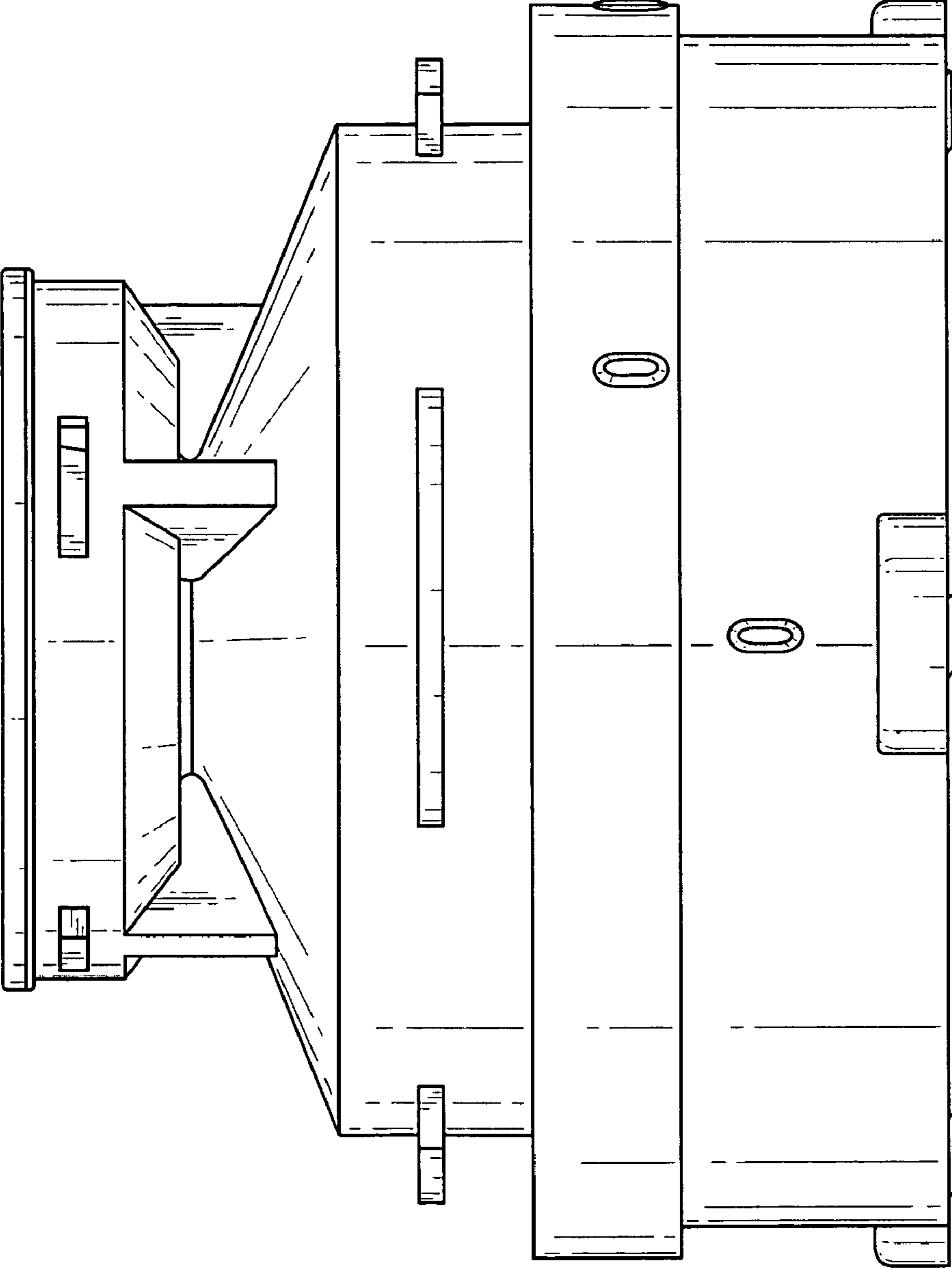


FIG. 6

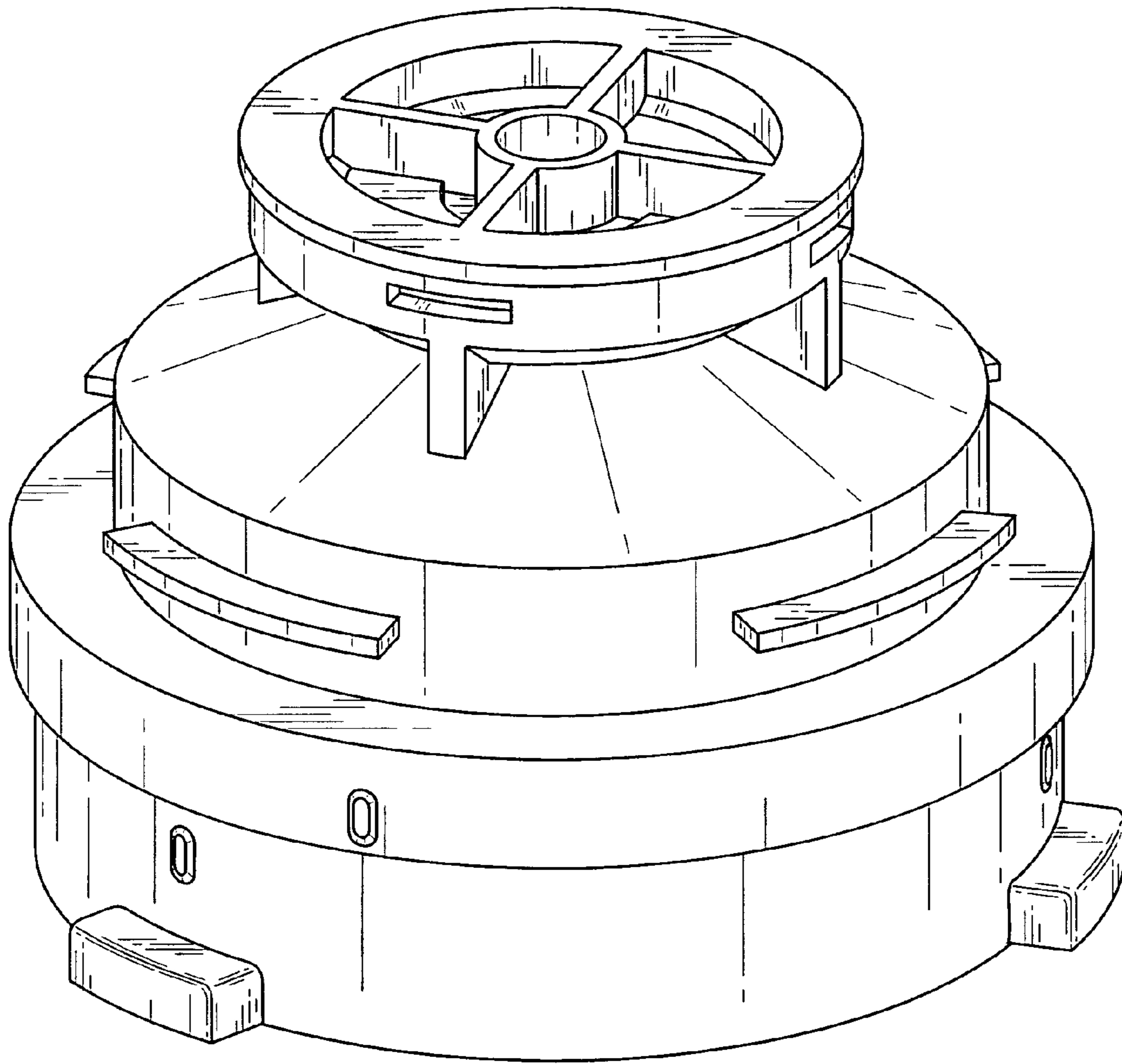


FIG. 7