



US00D659253S

(12) **United States Design Patent**
Valderrama et al.

(10) **Patent No.:** **US D659,253 S**

(45) **Date of Patent:** **** May 8, 2012**

(54) **PACIFIER**

(75) Inventors: **Vincent Valderrama**, Stamford, CT
(US); **Diana Sierra**, North Bergen, NJ
(US)

(73) Assignee: **Playtex Products, LLC**, Shelton, CT
(US)

(**) **Term:** **14 Years**

(21) **Appl. No.:** **29/406,597**

(22) **Filed:** **Nov. 16, 2011**

Related U.S. Application Data

(62) Division of application No. 29/389,729, filed on Apr. 15, 2011.

(51) **LOC (9) Cl.** **24-04**

(52) **U.S. Cl.** **D24/194**

(58) **Field of Classification Search** D24/193–196,
D24/199; 606/234–236; 215/11.1–11.6

See application file for complete search history.

(56) **References Cited**

U.S. PATENT DOCUMENTS

2,524,021 A	9/1950	Rigby et al.
2,888,929 A	6/1959	Bray
3,022,915 A	2/1962	Mullin
3,267,937 A	8/1966	Verschoor
3,653,386 A	4/1972	Jacobus
3,825,014 A	7/1974	Wroten
3,886,949 A	6/1975	Hurst et al.
4,143,452 A	3/1979	Hakim
D255,268 S	6/1980	Bernstein
4,329,996 A	5/1982	Copeland
D267,116 S	11/1982	Bubelis

4,381,785 A	5/1983	Robbins
4,417,613 A	11/1983	Ryan
D273,991 S	5/1984	Moore
4,493,324 A	1/1985	Johnston
4,545,378 A	10/1985	Chrones
4,577,632 A	3/1986	Grasset
4,640,282 A	2/1987	Careborg

(Continued)

FOREIGN PATENT DOCUMENTS

DE 3316824 11/1984

(Continued)

OTHER PUBLICATIONS

International Search Report and Written Opinion from corresponding International Application No. PCT/US09/01867 dated May 12, 2009.

(Continued)

Primary Examiner — Susan E Krakower

(74) *Attorney, Agent, or Firm* — Ohlandt, Greeley, Ruggiero & Perle, L.L.P.

(57) **CLAIM**

The ornamental design for a pacifier, as shown and described.

DESCRIPTION

FIG. 1 is a front, perspective view of the pacifier, according to the present design;

FIG. 2 is a front view of the pacifier of FIG. 1;

FIG. 3 is a rear view of the pacifier of FIG. 1;

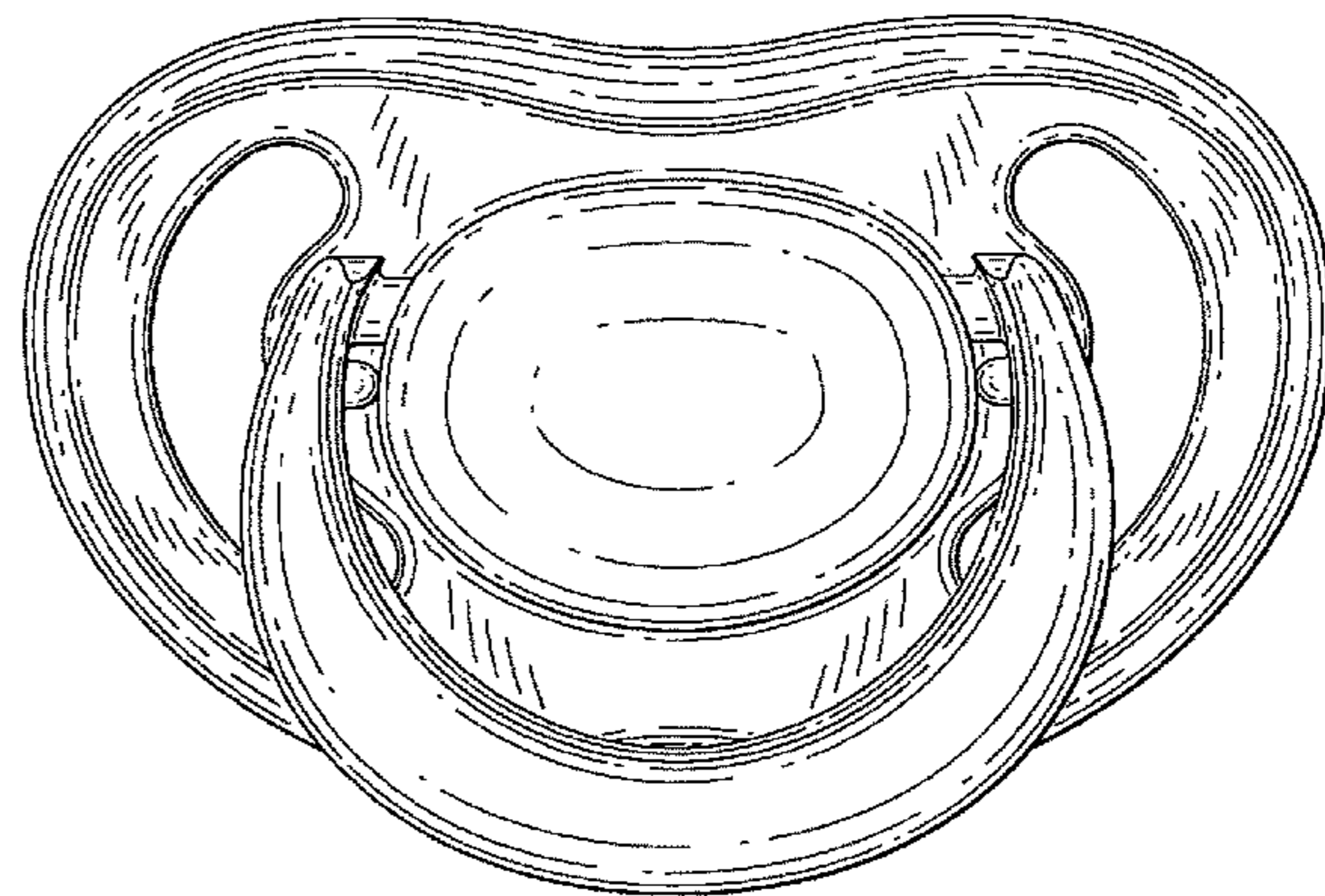
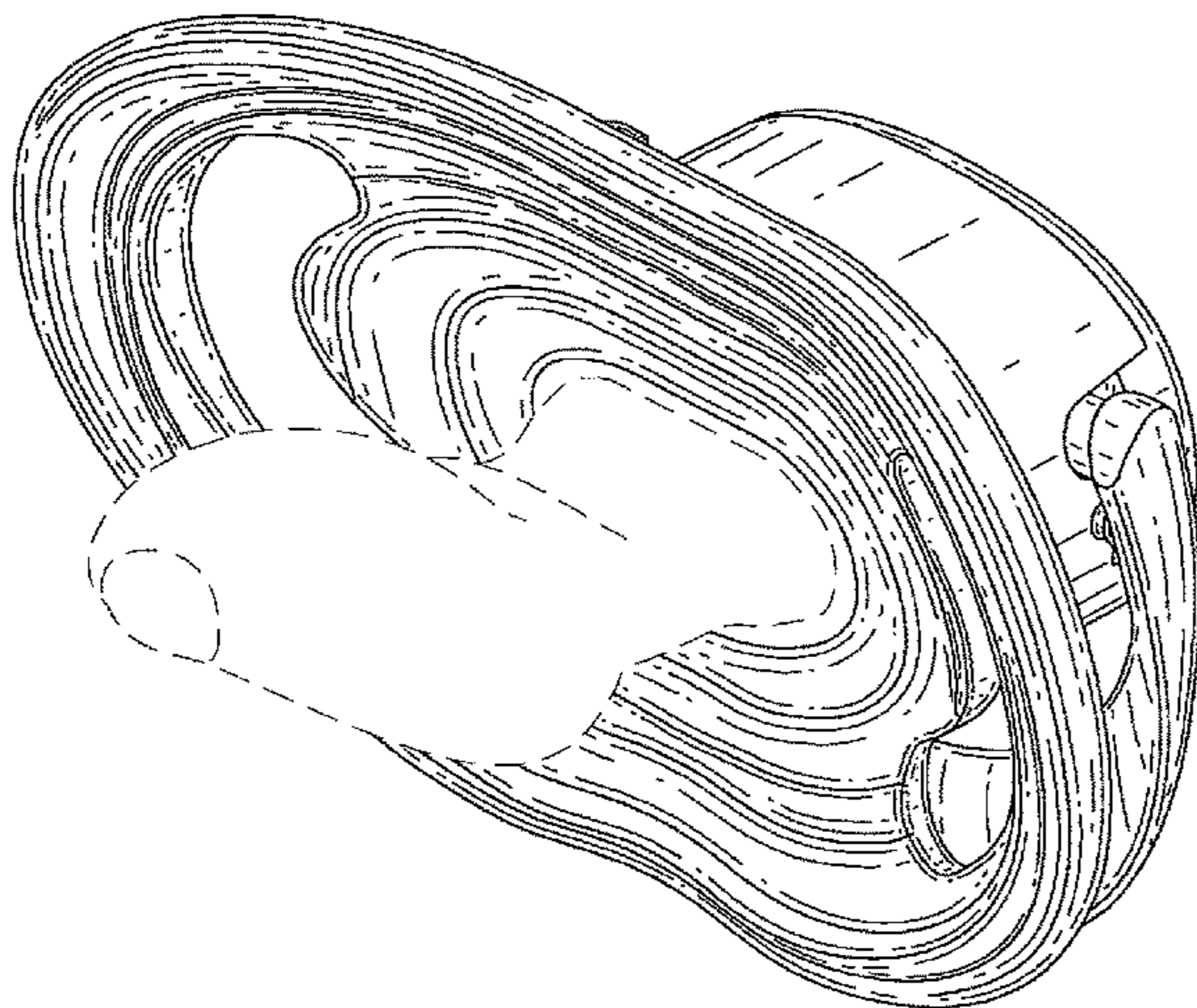
FIG. 4 is a right side view of the pacifier of FIG. 1;

FIG. 5 is a left side view of the pacifier of FIG. 1;

FIG. 6 is a top view of the pacifier of FIG. 1; and,

FIG. 7 is a bottom view of the pacifier of FIG. 1.

1 Claim, 4 Drawing Sheets



US D659,253 S

U.S. PATENT DOCUMENTS

4,852,569	A	8/1989	Sanders	
4,856,519	A	8/1989	Teves	
D303,839	S	10/1989	Fitzpatrick et al.	
4,909,253	A	3/1990	Cook et al.	
D326,919	S	6/1992	Geitner et al.	
5,133,740	A	7/1992	Kussick	
D334,064	S	3/1993	Fitzpatrick	
D340,525	S	10/1993	Rohrig	
5,275,619	A	1/1994	Engebretson et al.	
5,334,218	A	8/1994	Johnson	
5,403,349	A	4/1995	Rohrig	
D362,073	S	* 9/1995	Hsieh	D24/194
5,476,881	A	12/1995	Suh	
D370,976	S	6/1996	Lin	
D376,014	S	11/1996	McKenney	
5,578,058	A	11/1996	Chen	
D380,836	S	7/1997	Fitzpatrick et al.	
5,653,731	A	8/1997	Rohrig	
5,658,314	A	8/1997	Scheffer et al.	
5,688,238	A	11/1997	Moser et al.	
D391,641	S	3/1998	Fields et al.	
D393,074	S	3/1998	Fields et al.	
5,759,195	A	6/1998	Fields et al.	
D404,137	S	1/1999	Underwood et al.	
5,868,131	A	2/1999	Murchie	
D409,309	S	5/1999	Tollman	
D413,387	S	8/1999	Fitzpatrick et al.	
D414,267	S	9/1999	Calandro, Jr.	
5,954,749	A	9/1999	Fields et al.	
D417,003	S	11/1999	Lin	
6,003,698	A	12/1999	Morano	
6,032,810	A	3/2000	Meyers et al.	
6,056,774	A	5/2000	Johansen et al.	
6,110,193	A	8/2000	Chen	
D430,675	S	9/2000	Roehrig	
6,241,110	B1	6/2001	Hakim	
D448,486	S	9/2001	Horntrich	
D450,126	S	11/2001	Fitzpatrick et al.	
6,447,536	B1	9/2002	Hinshaw	
6,517,567	B2	2/2003	Bass, Jr. et al.	
6,575,999	B1	6/2003	Rohrig	
D477,411	S	7/2003	Kroepel	
6,695,869	B2	2/2004	Fitzpatrick et al.	

D487,929	S	3/2004	Liu et al.	
6,905,507	B2	6/2005	Hinshaw	
7,029,491	B2	4/2006	Davis	
D532,521	S	11/2006	Struckmeier	
D532,522	S	11/2006	Struckmeier	
D541,422	S	4/2007	Pils et al.	
D547,456	S	7/2007	Ramos et al.	
7,285,127	B2	10/2007	Jewett	
D558,885	S	1/2008	Trizzino	
D559,391	S	1/2008	Kliegman et al.	
D572,368	S	7/2008	Kliegman	
D574,963	S	8/2008	Kliegman et al.	
D594,559	S	6/2009	Kliegman et al.	
D598,117	S	* 8/2009	Yamashita et al.	D24/190
D599,026	S	8/2009	Cudworth	
D607,573	S	1/2010	Roehrig et al.	
D609,816	S	2/2010	Roehrig	
D612,945	S	3/2010	Roehrig et al.	
D626,653	S	11/2010	Roehrig et al.	
D645,154	S	9/2011	Belluzzi et al.	
2003/0100922	A1	5/2003	Fitzpatrick et al.	
2003/0208234	A1	11/2003	Thornton et al.	
2004/0230017	A1	11/2004	Kerns et al.	
2006/0265013	A1	11/2006	Holley	
2007/0060873	A1	3/2007	Hiraoka et al.	
2007/0102388	A1	5/2007	Lewis et al.	
2009/0248074	A1	10/2009	Kliegman et al.	
2010/0016895	A1	1/2010	Eisenberg et al.	
2011/0130790	A1	6/2011	Hezari et al.	

FOREIGN PATENT DOCUMENTS

DE	3347876	5/1985
EM	1158949	12/2001
EM	1240886	9/2006
EP	0381076	8/1990
WO	WO 94/23686	10/1994
WO	WO 00/10505	3/2000
WO	WO 2006/098903	9/2006

OTHER PUBLICATIONS

Evenflo Pacifiers, Mimi Neo One-Piece Pacifiers; Product List, Evenflo.com, 2006.

* cited by examiner

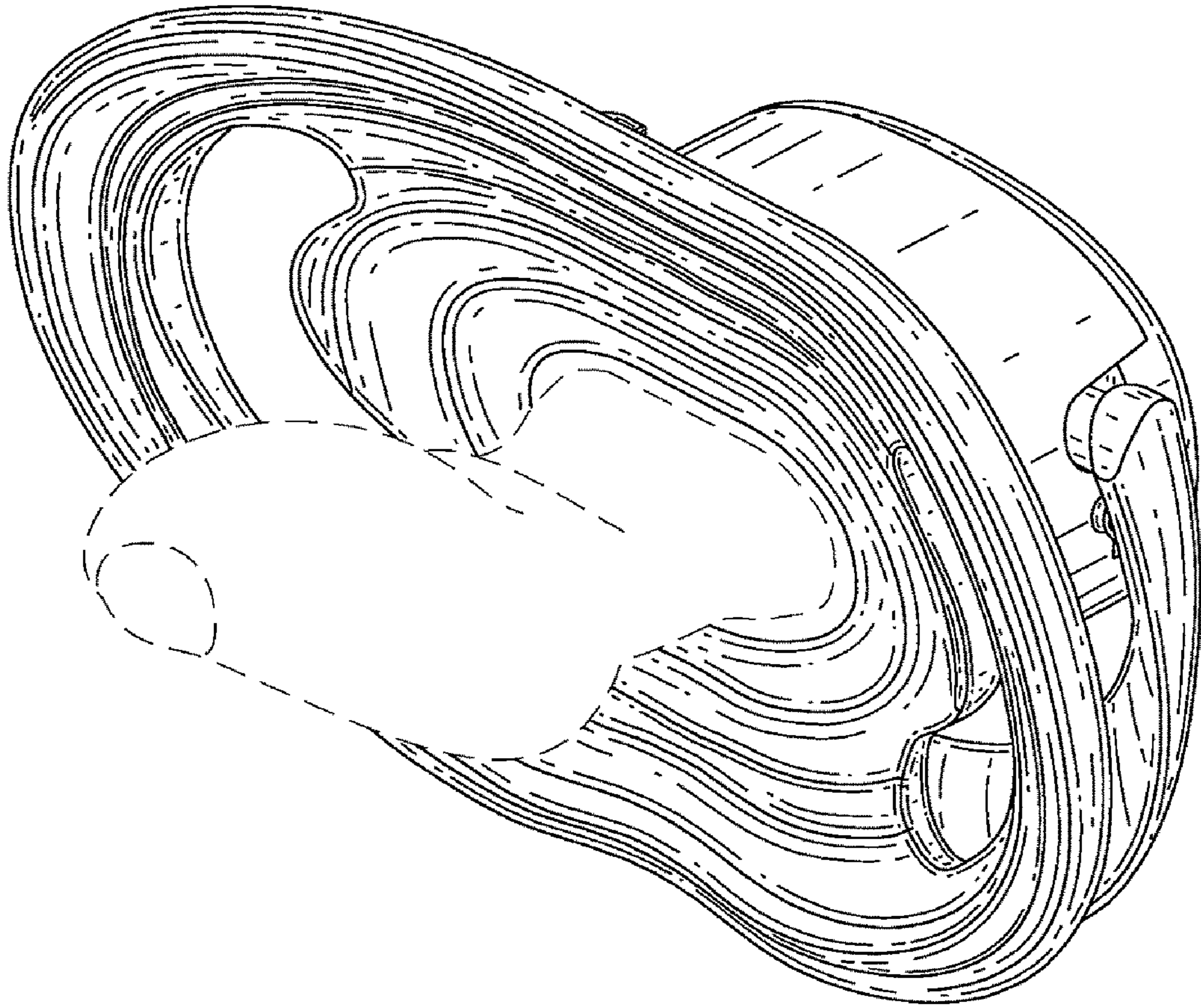


FIG.1

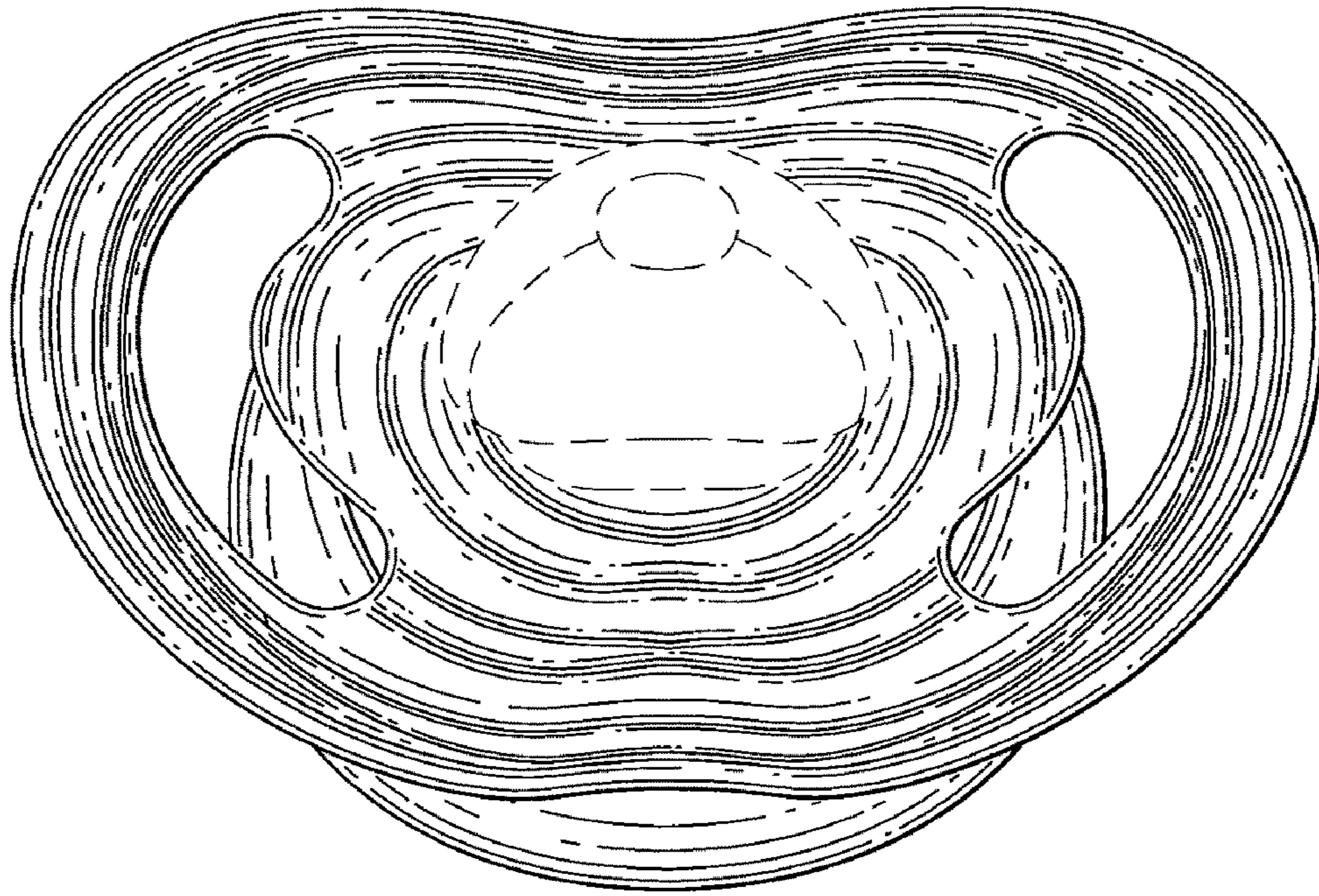


FIG. 2

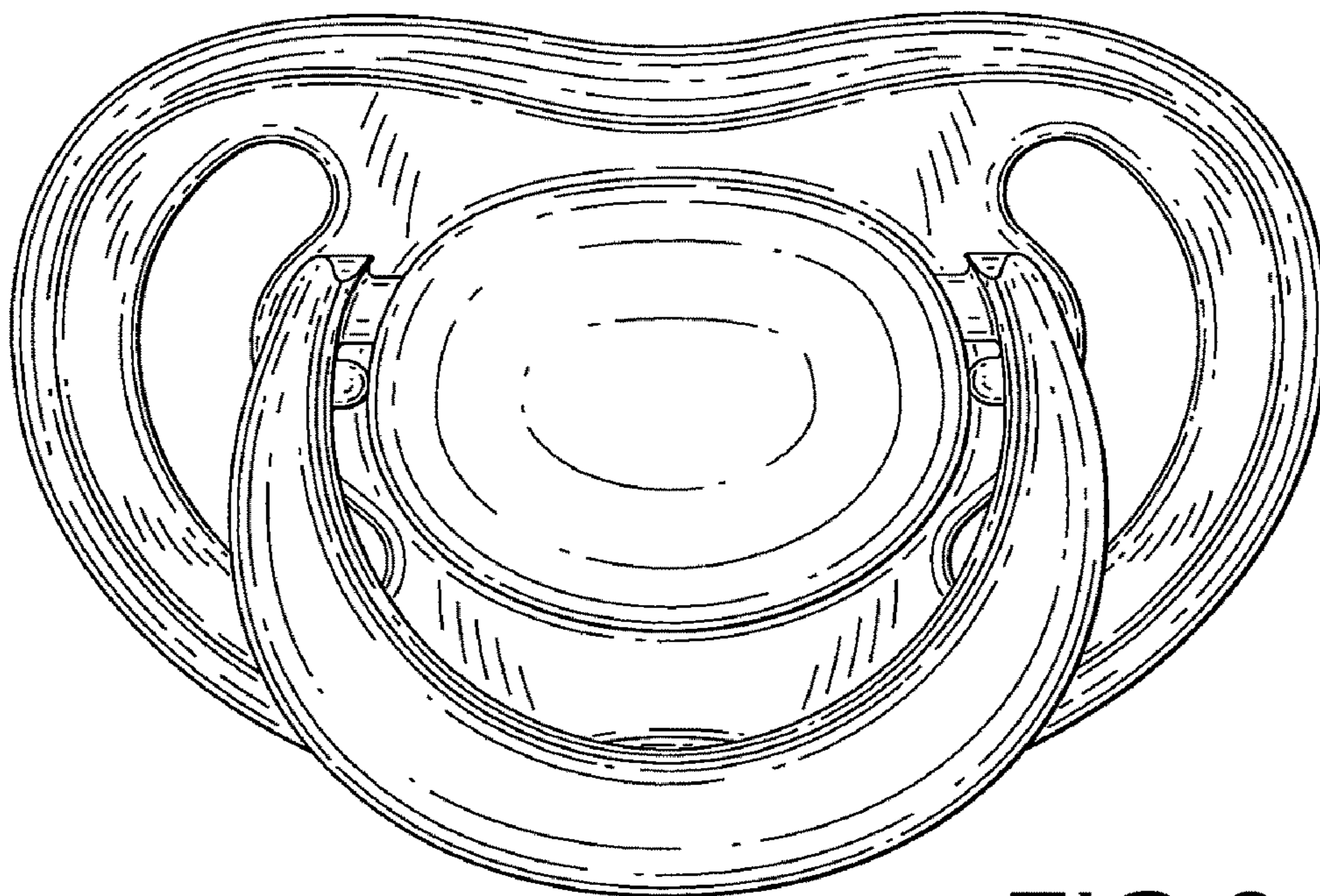


FIG. 3

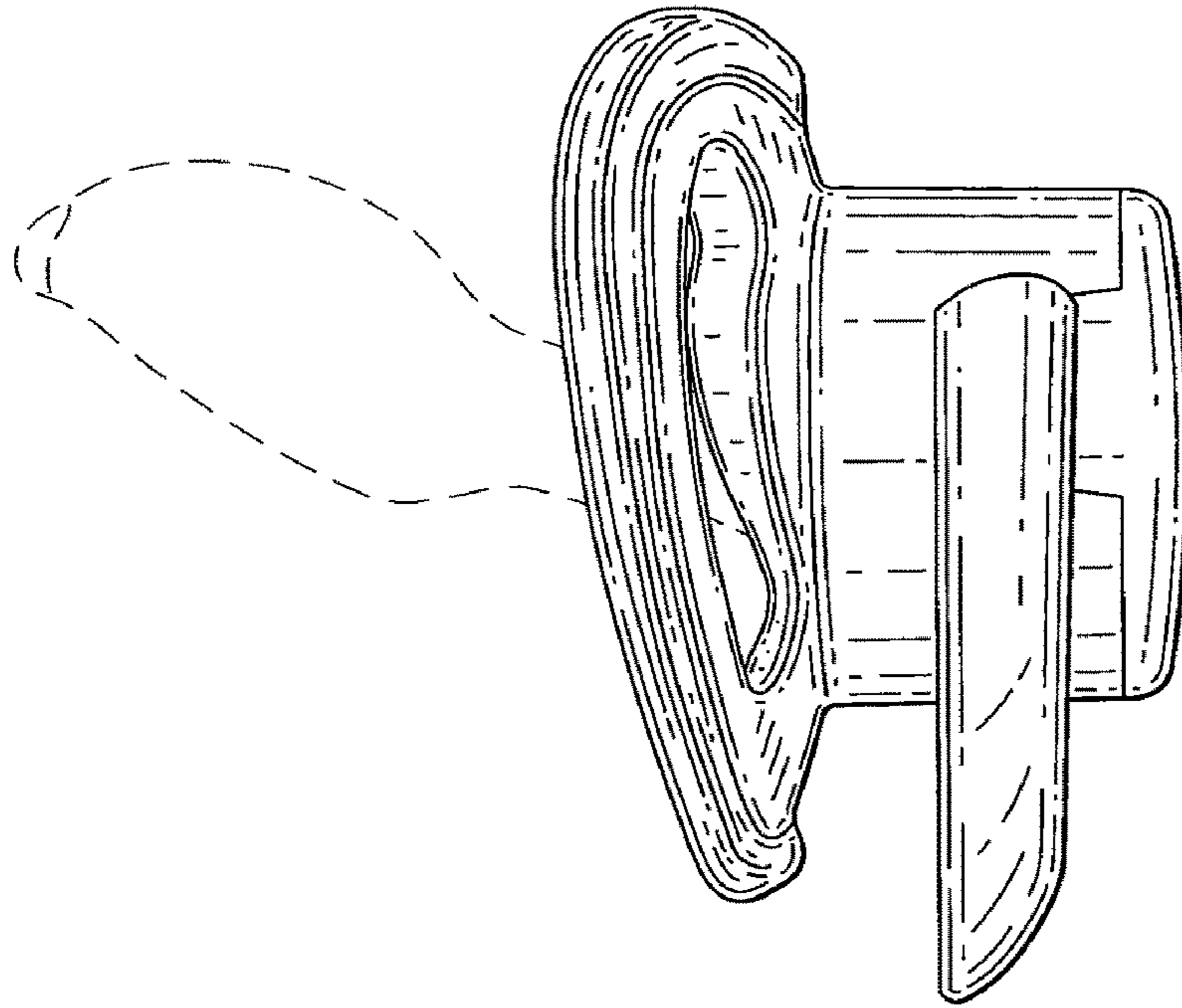


FIG. 4

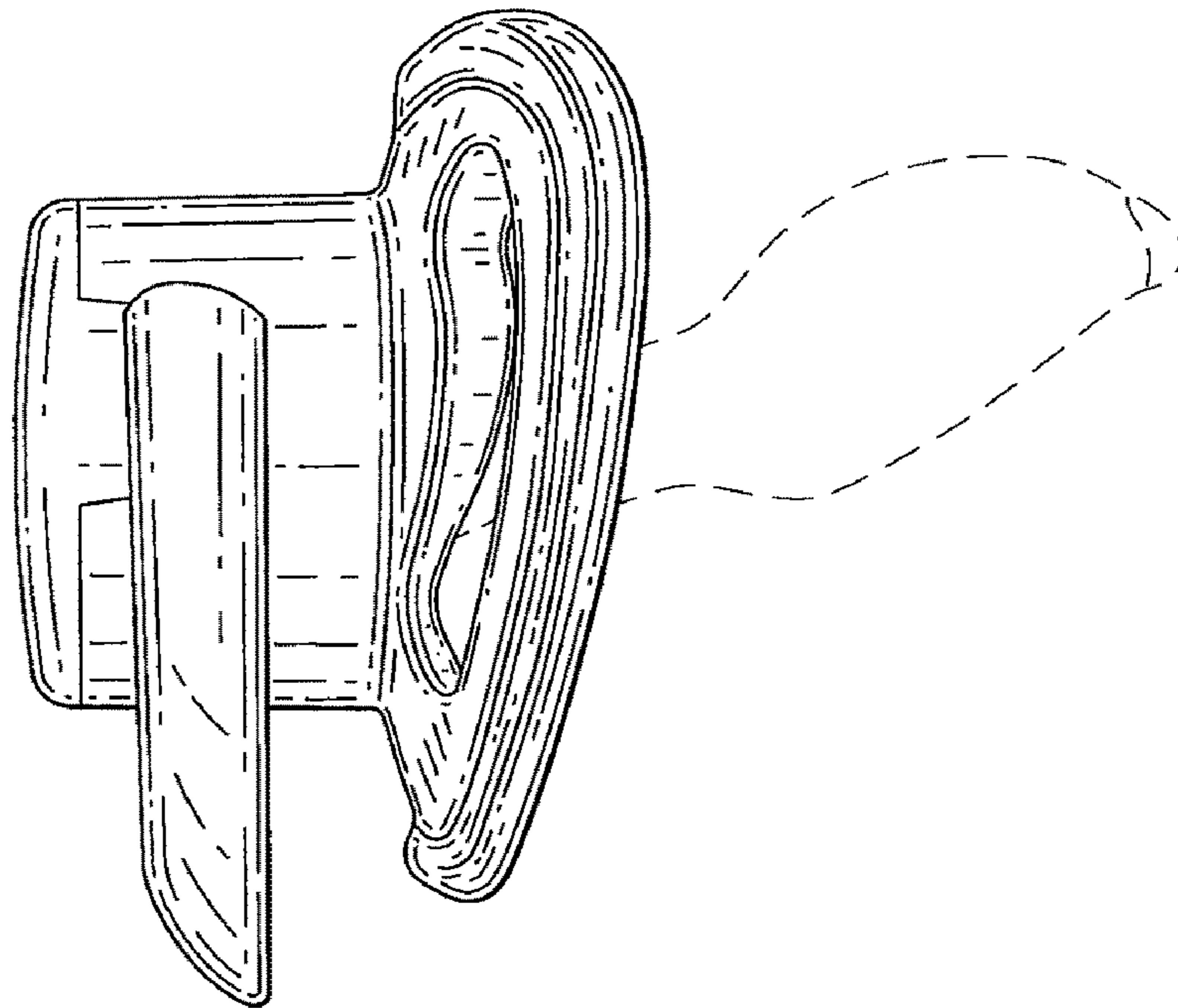


FIG. 5

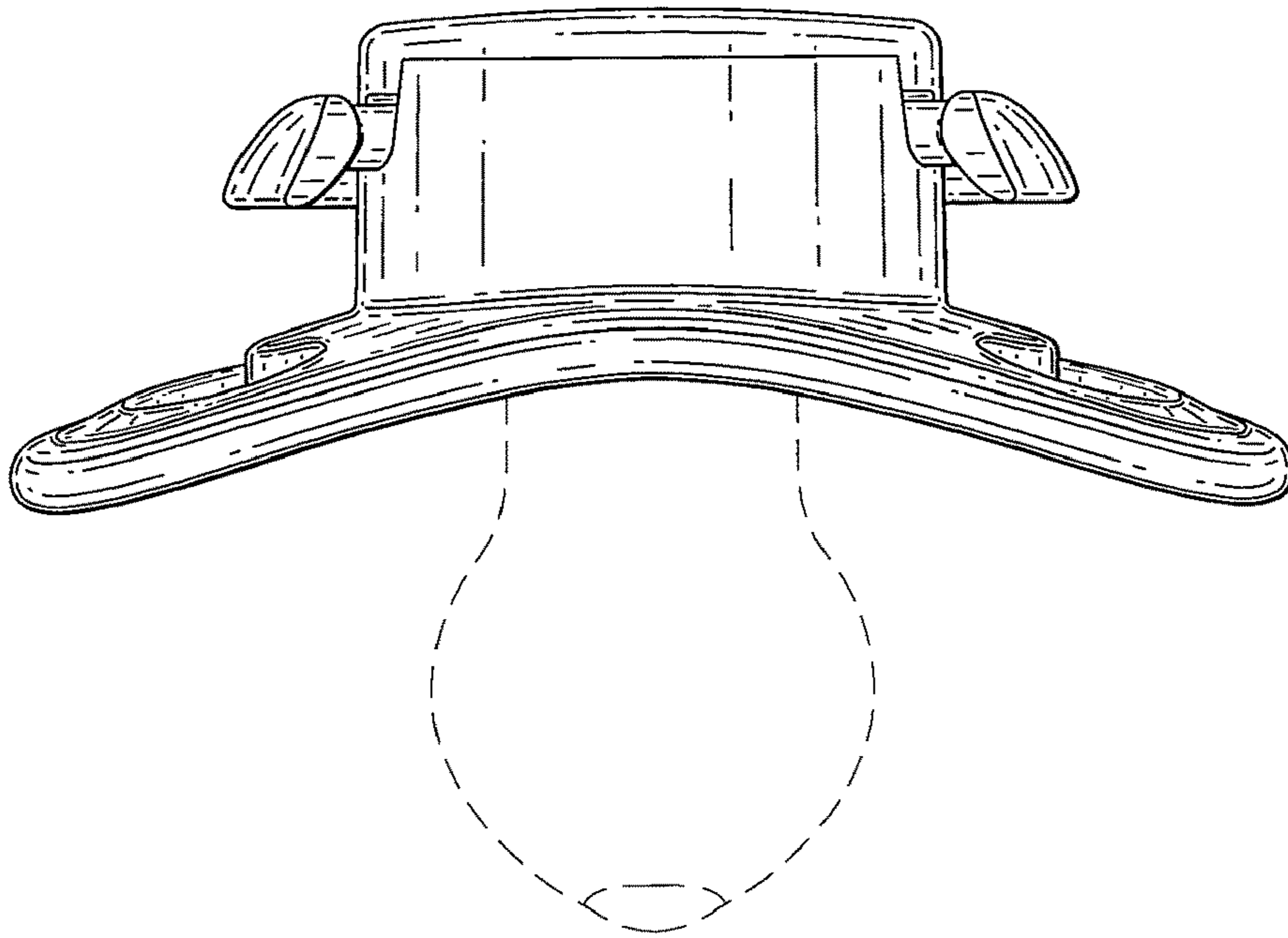


FIG. 6

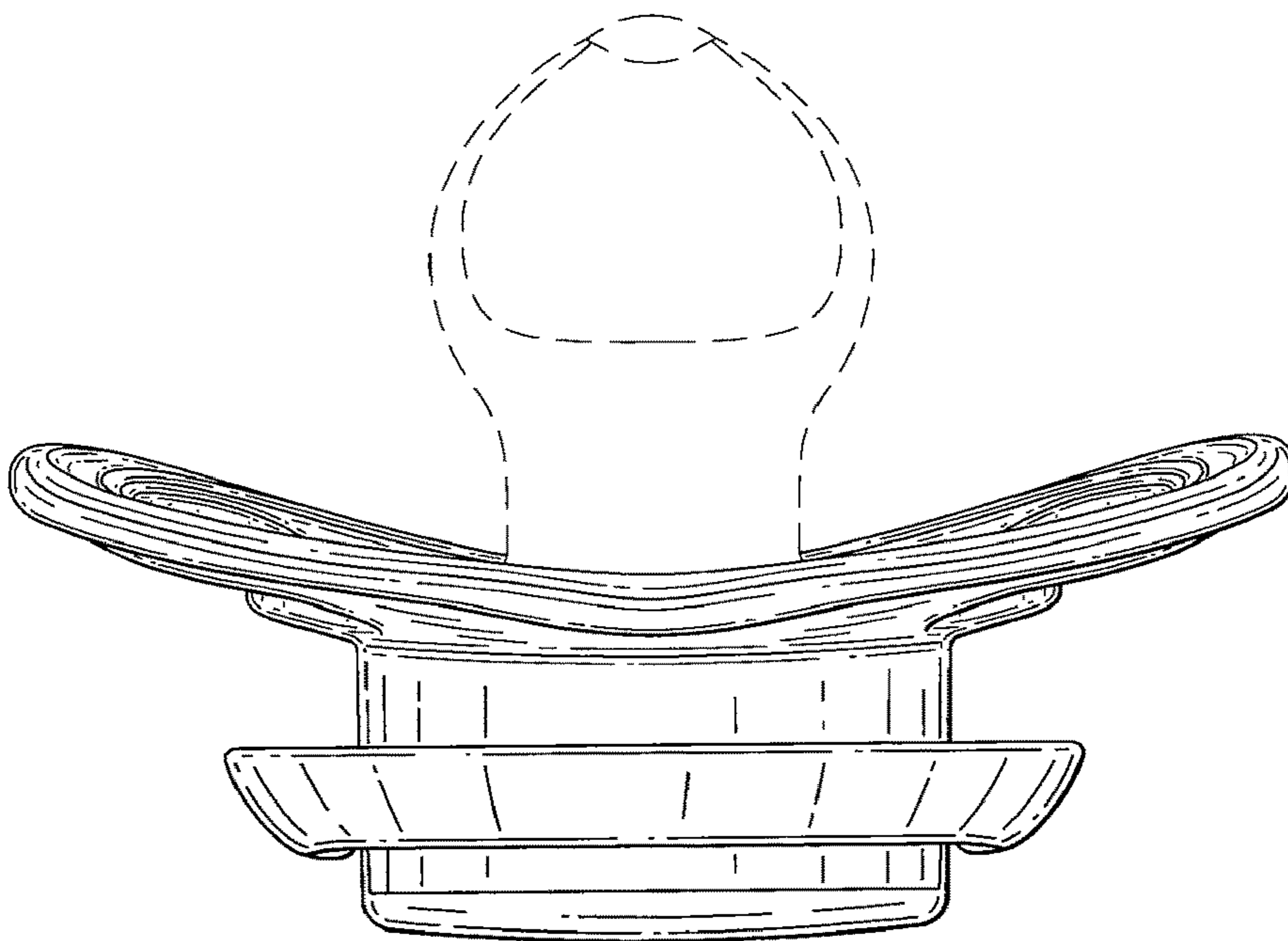


FIG. 7