



US00D659251S

(12) **United States Design Patent**  
**Kawamura et al.**

(10) **Patent No.:** **US D659,251 S**  
(45) **Date of Patent:** **\*\* May 8, 2012**

(54) **DEFIBRILLATOR PADDLE**  
(75) Inventors: **Shuko Kawamura**, Tokyo (JP);  
**Masashi Sato**, Tokyo (JP)  
(73) Assignee: **Nihon Kohden Corporation**, Tokyo (JP)  
(\*\*) Term: **14 Years**

6,097,987 A 8/2000 Milani  
D460,556 S 7/2002 Daynes et al.  
6,714,817 B2 \* 3/2004 Daynes et al. .... 607/5  
D490,526 S \* 5/2004 Jonsen ..... D24/167  
D536,450 S \* 2/2007 Ryan ..... D24/144  
D604,855 S \* 11/2009 Shearlaw et al. .... D24/133  
D636,087 S \* 4/2011 Loew et al. .... D24/200  
D636,088 S \* 4/2011 Loew et al. .... D24/200  
D638,130 S \* 5/2011 Erickson et al. .... D24/187

(21) Appl. No.: **29/391,845**  
(22) Filed: **May 13, 2011**

**FOREIGN PATENT DOCUMENTS**

CN 200730171953.5 8/2008  
JP 864898 S 3/1993  
JP 864898-1 S 9/1993

(30) **Foreign Application Priority Data**  
Nov. 15, 2010 (JP) ..... 2010-027460  
Nov. 15, 2010 (JP) ..... 2010-027461  
(51) **LOC (9) Cl.** ..... **24-01**  
(52) **U.S. Cl.** ..... **D24/187; D24/168**  
(58) **Field of Classification Search** ..... D24/133,  
D24/144, 155, 167-168, 186, 187, 200, 231;  
607/5, 142, 129; 606/70-71, 166, 246-249,  
606/258, 267, 280, 286, 283, 299, 396, 903,  
606/905-906; 623/17.11, 16.71  
See application file for complete search history.

\* cited by examiner

*Primary Examiner* — T. Chase Nelson  
*Assistant Examiner* — Mark Cavanna  
(74) *Attorney, Agent, or Firm* — Osha • Liang LLP

(56) **References Cited**  
**U.S. PATENT DOCUMENTS**  
D244,153 S \* 4/1977 Jones ..... D24/168  
D244,154 S \* 4/1977 Smith et al. .... D24/168  
D249,064 S \* 8/1978 Smith et al. .... D24/168  
D252,821 S \* 9/1979 Moore et al. .... D24/168  
D273,514 S \* 4/1984 Heilman et al. .... D24/168  
D290,396 S \* 6/1987 Jones et al. .... D24/168  
4,705,044 A \* 11/1987 Deluhery et al. .... 607/142  
D322,853 S \* 12/1991 Benson et al. .... D24/168  
D372,785 S \* 8/1996 Sabri et al. .... D24/167  
D385,351 S \* 10/1997 Manzie et al. .... D24/144

(57) **CLAIM**  
The ornamental design for a defibrillator paddle, as shown and described.

**DESCRIPTION**

FIG. 1 is a perspective view of the front, top, and right side of a defibrillator paddle showing our new design;  
FIG. 2 is a front view thereof;  
FIG. 3 is a rear view thereof;  
FIG. 4 is a top plan view thereof;  
FIG. 5 is a bottom view thereof;  
FIG. 6 is a left view thereof; and,  
FIG. 7 is a right view thereof.  
The broken lines immediately adjacent the shaded areas represent the bounds of the claimed design while all other broken lines are directed to environment and are for illustrative purposes only.

**1 Claim, 4 Drawing Sheets**

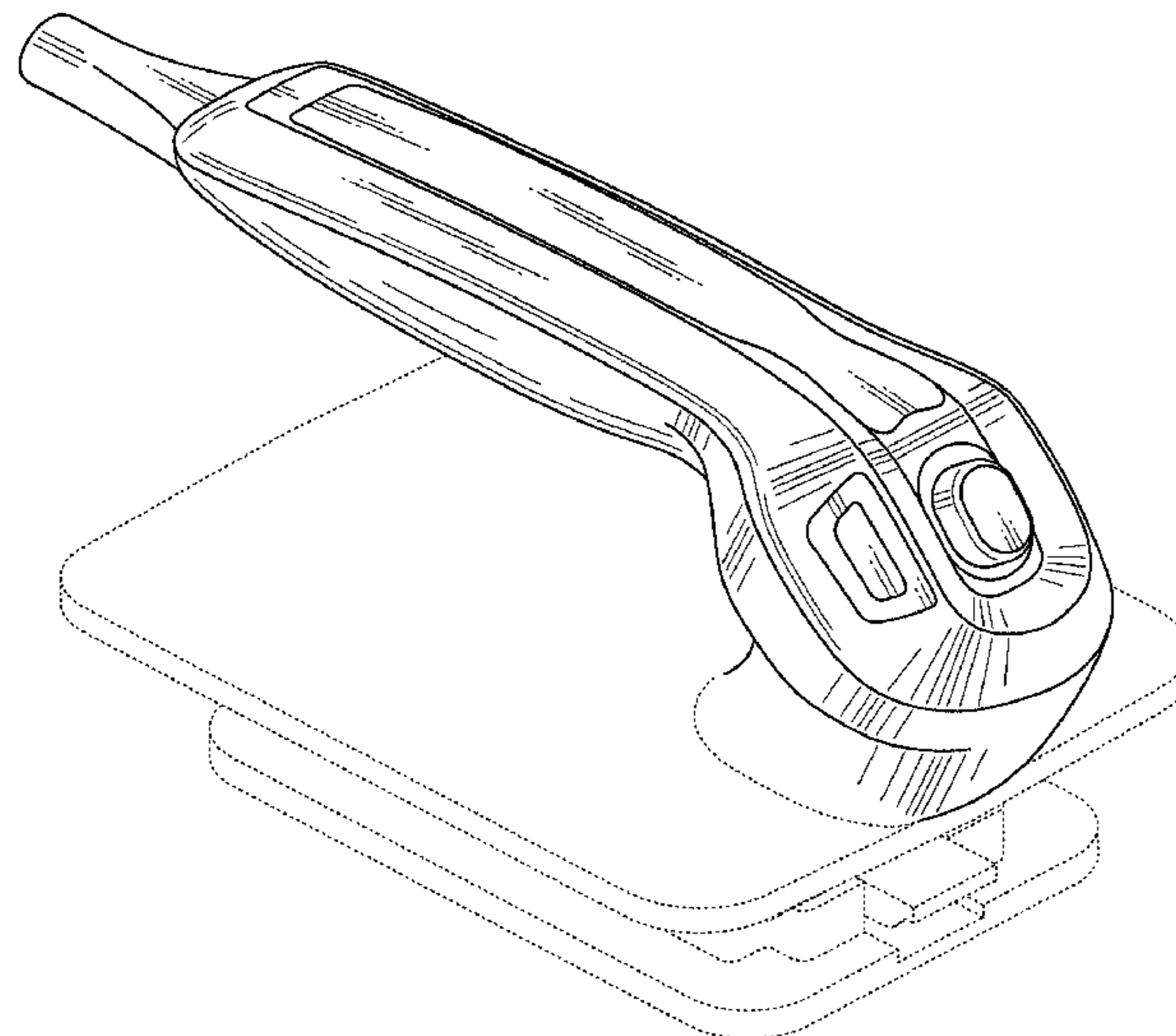


Fig. 1

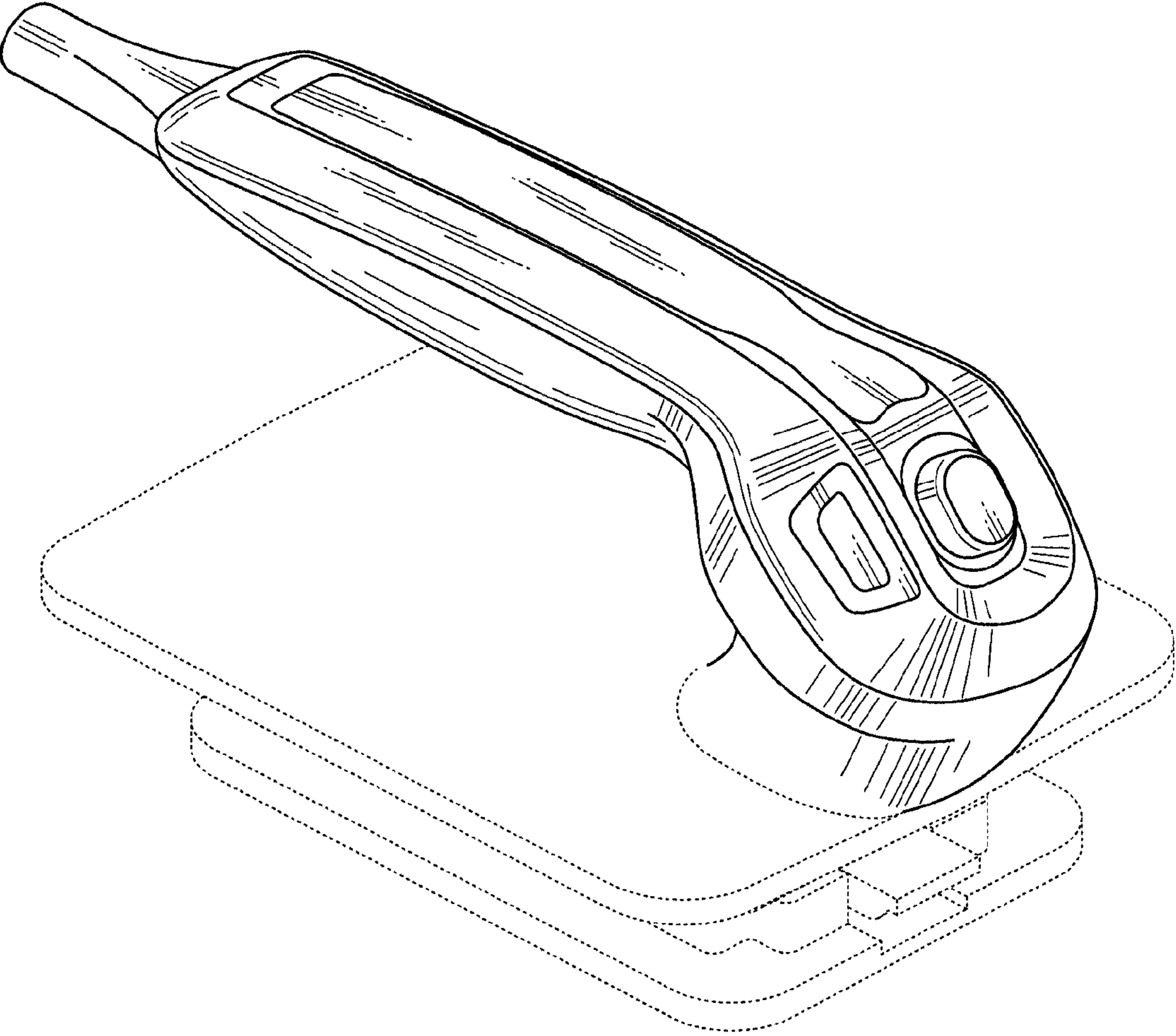


Fig. 2

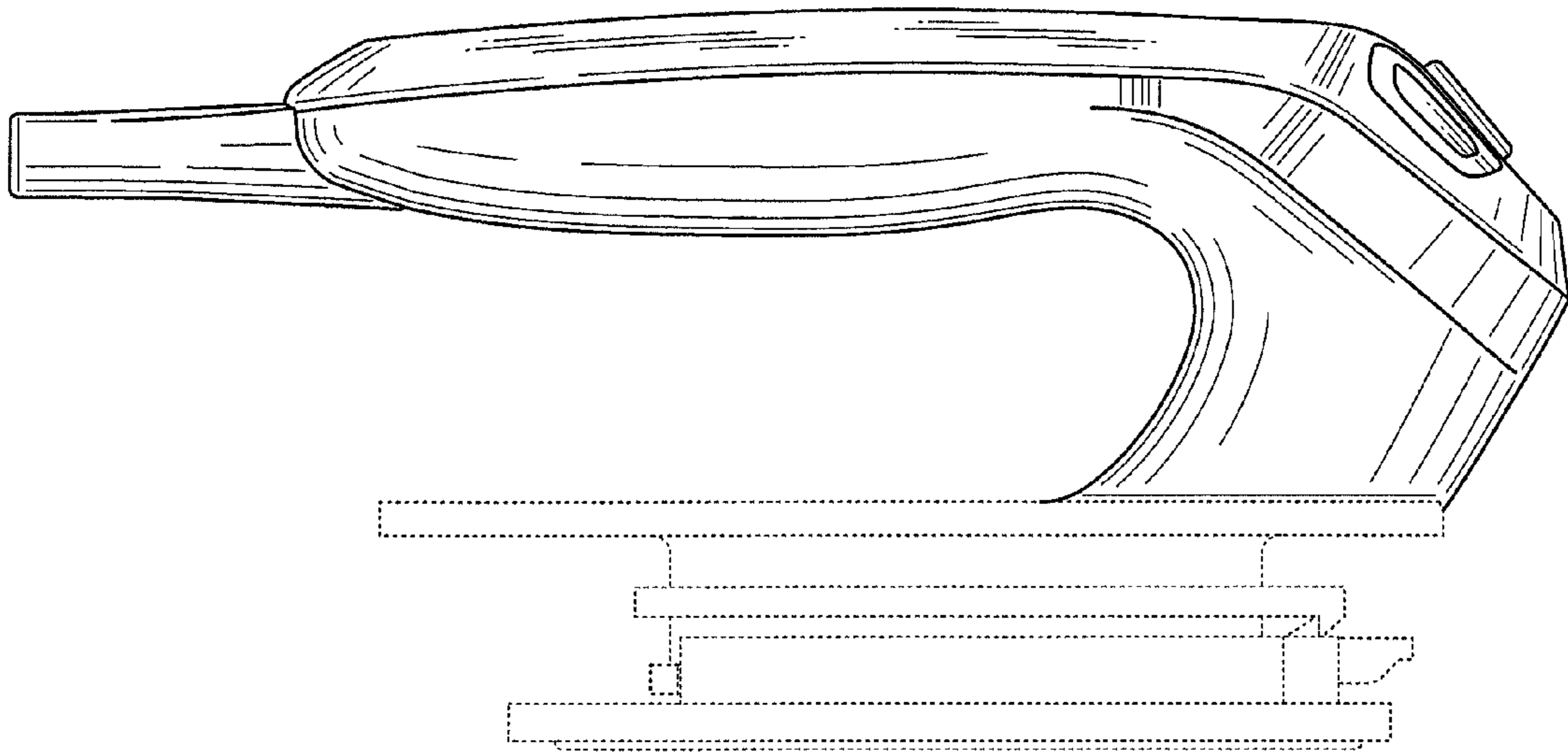


Fig. 3

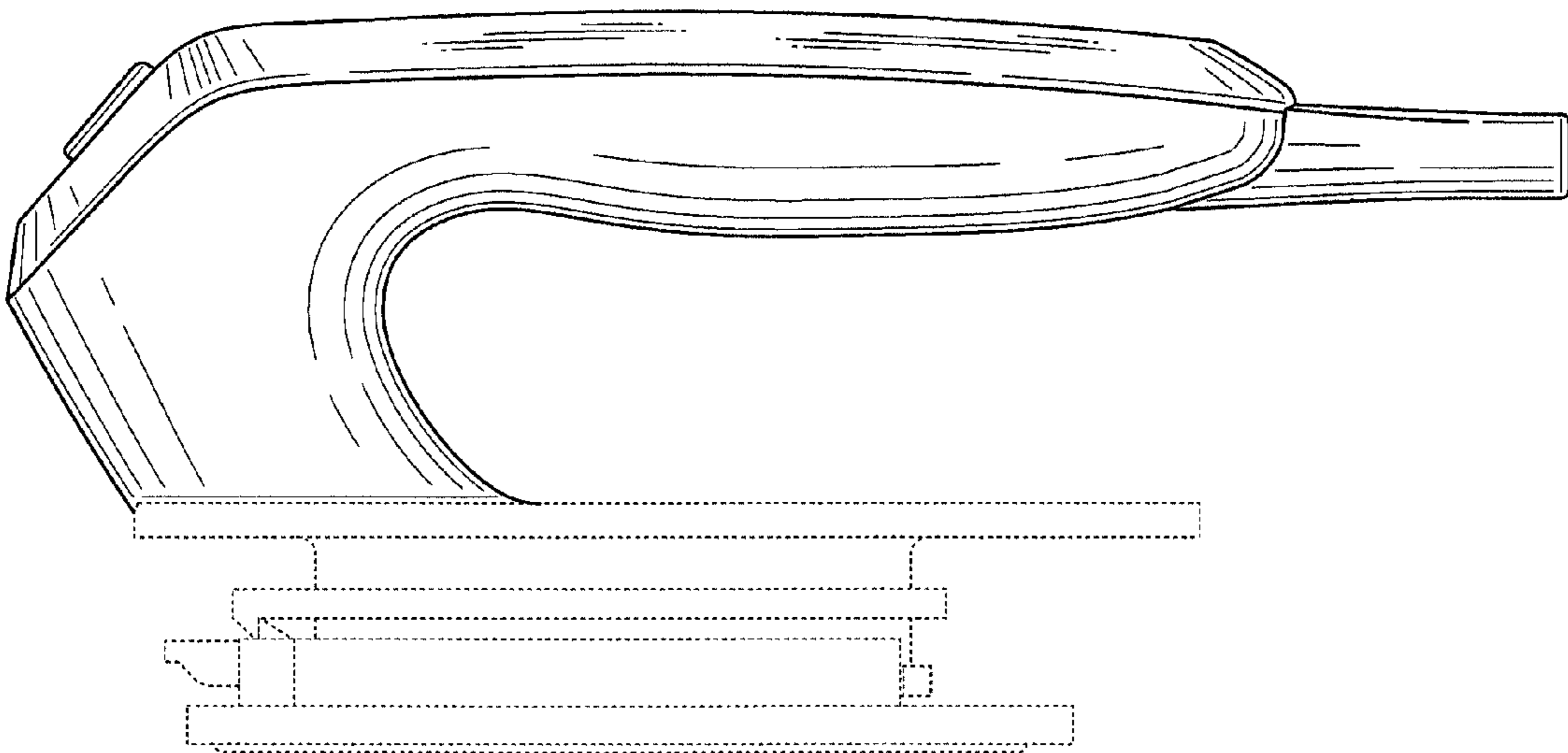


Fig. 4

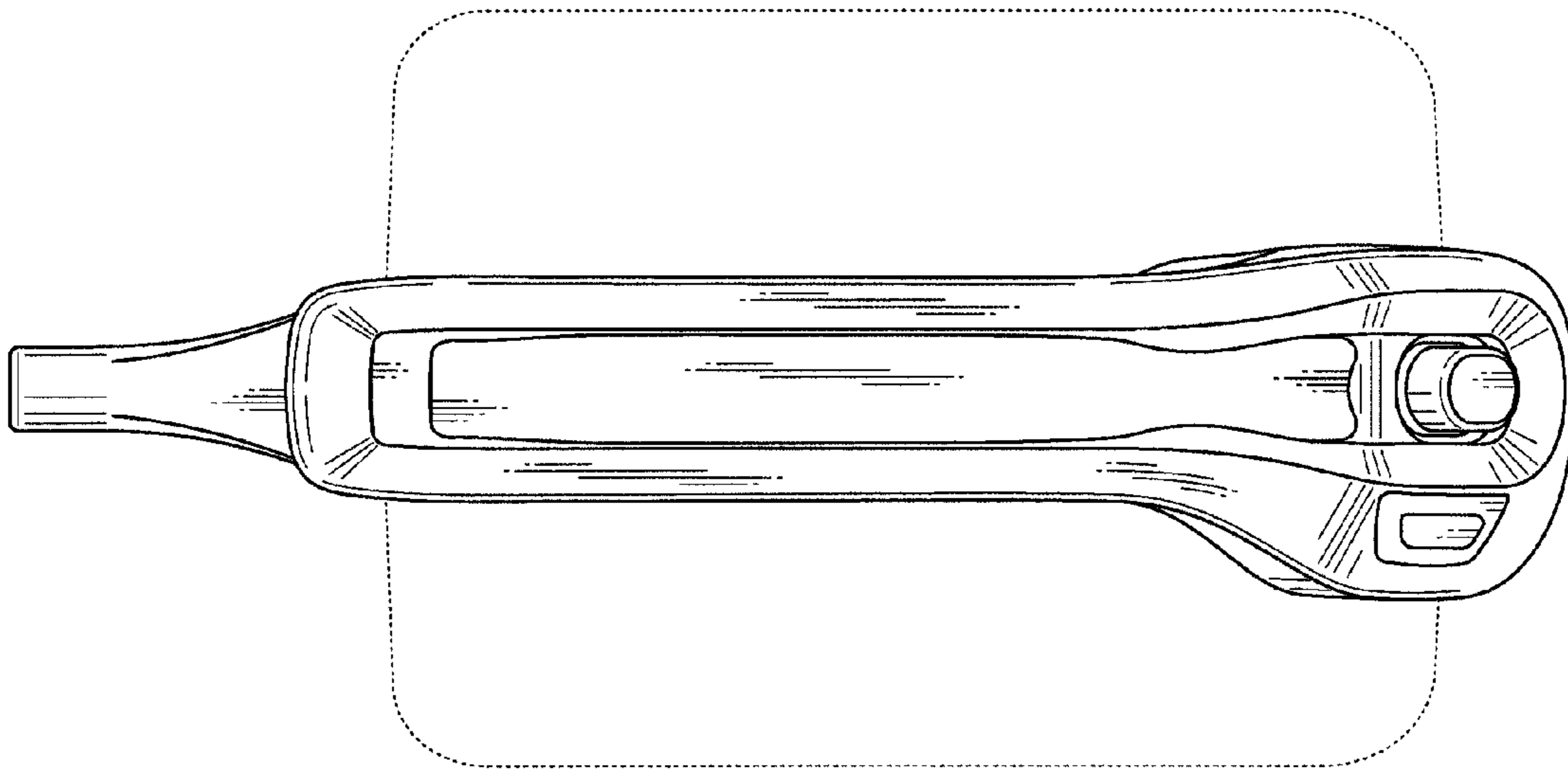


Fig. 5

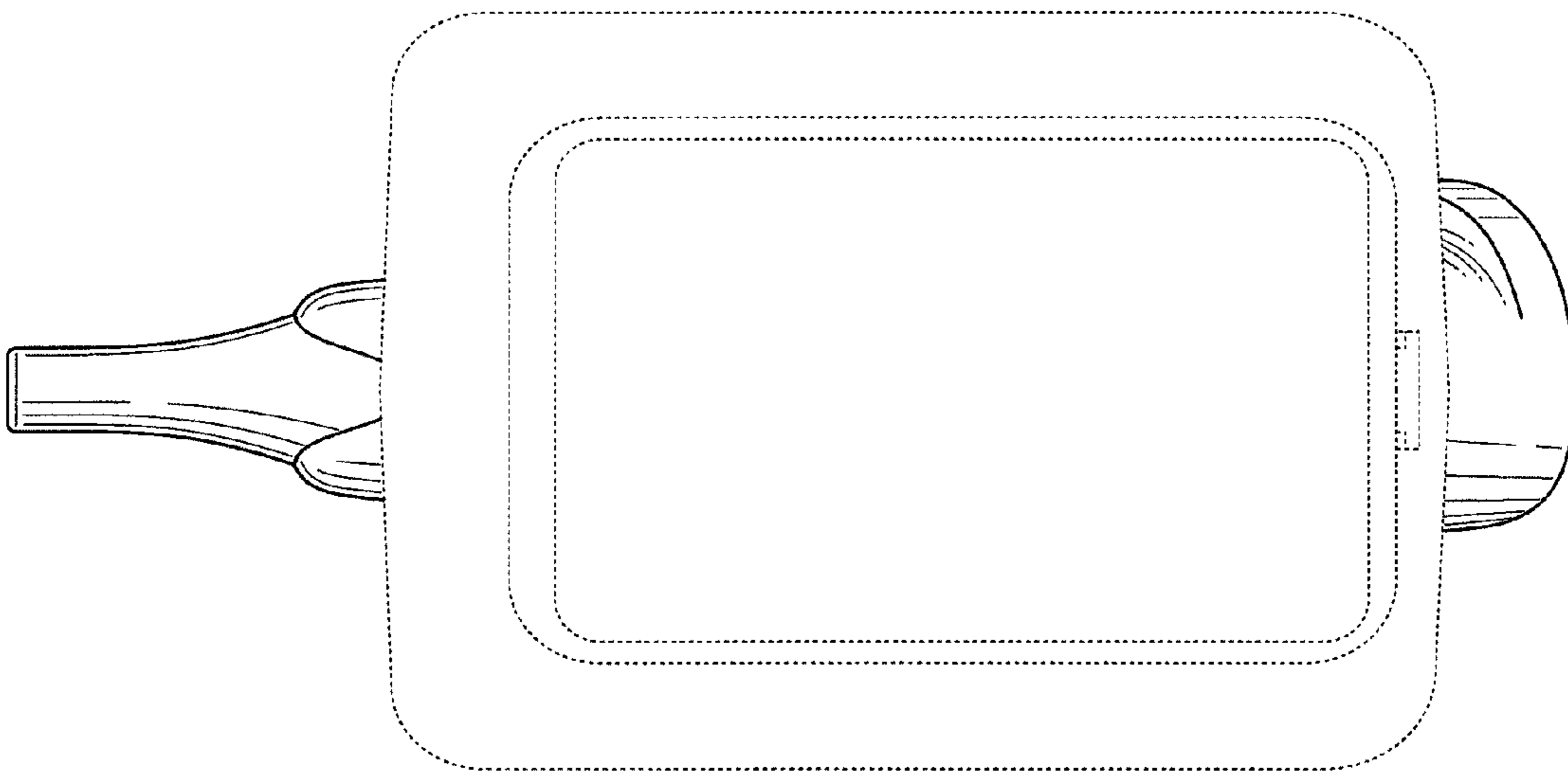


Fig. 6

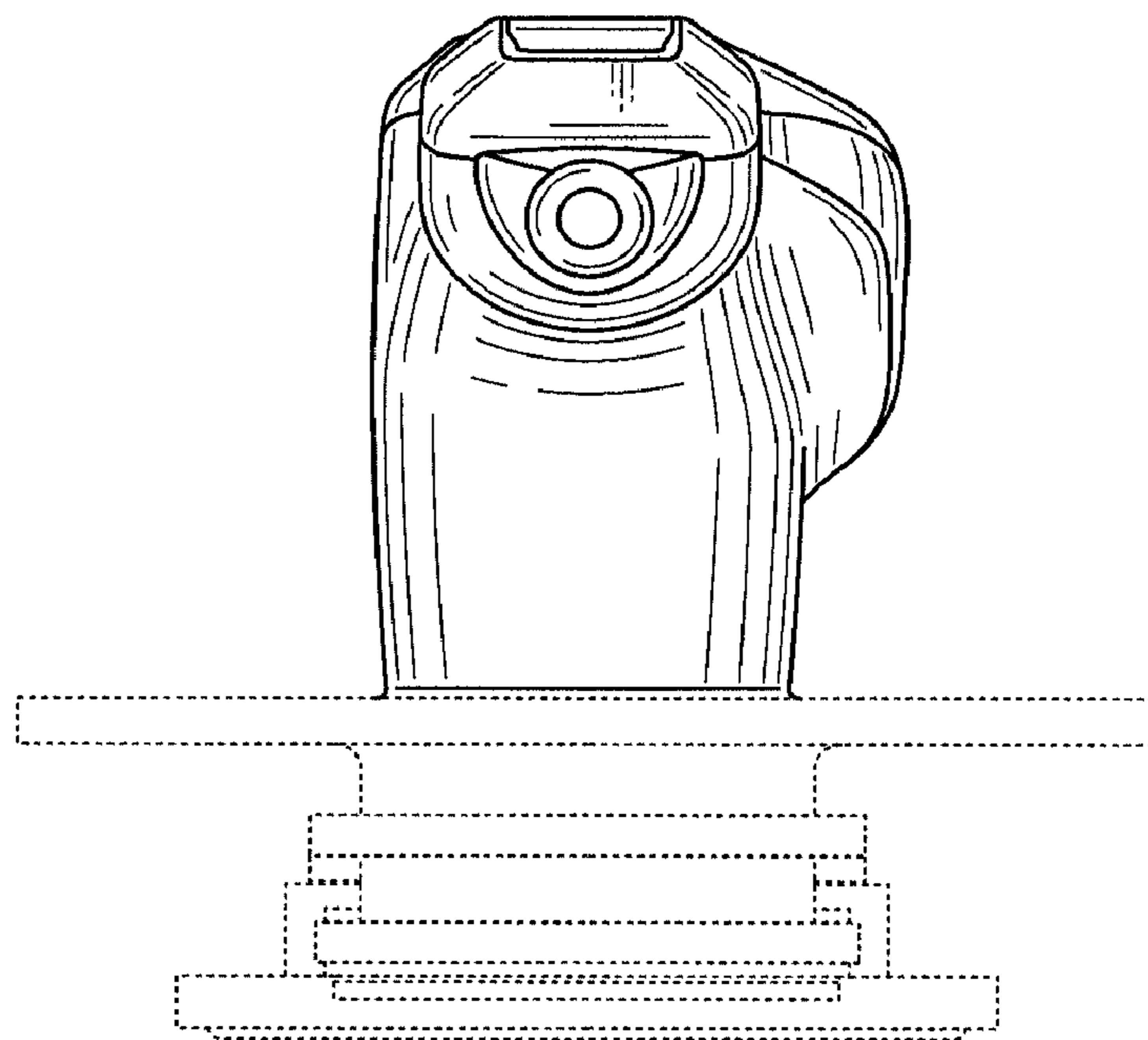


Fig. 7

