

US00D659250S

(12) **United States Design Patent**
Cottrell

(10) **Patent No.:** **US D659,250 S**

(45) **Date of Patent:** **** May 8, 2012**

(54) **PATIENT POSITIONING DEVICE**

(75) **Inventor:** **Scott W. Cottrell**, Eugene, OR (US)

(73) **Assignee:** **MHP Medical, Inc.**, Skokie, IL (US)

(**) **Term:** **14 Years**

(21) **Appl. No.:** **29/393,345**

(22) **Filed:** **Jun. 2, 2011**

(51) **LOC (9) Cl.** **24-01**

(52) **U.S. Cl.** **D24/183**

(58) **Field of Classification Search** D24/183-184,
D24/200, 127, 171, 185, 158; D6/501-502,
D6/335, 367, 340; 128/845-846, 869; 5/636-640,
5/644; 602/16; 180/214, 253; 297/313,
297/195.11, 118, 467

See application file for complete search history.

(56) **References Cited**

U.S. PATENT DOCUMENTS

3,754,787	A *	8/1973	Garber	297/195.11
3,894,601	A *	7/1975	Gestring	180/214
4,650,249	A *	3/1987	Serber	297/313
D361,383	S *	8/1995	Lipson et al.	D24/183
D369,691	S *	5/1996	Haynes	D6/367
D375,163	S *	10/1996	Lipson et al.	D24/183
D376,428	S *	12/1996	Lipson et al.	D24/183
D393,069	S *	3/1998	Jope	D24/158
5,971,485	A	10/1999	Clark		
6,065,808	A	5/2000	Tinsley		
6,182,663	B1 *	2/2001	Madden	128/845
D455,495	S	4/2002	Tinsley		
6,662,392	B2	12/2003	Heimbrock		
6,758,447	B2	7/2004	Tinsley		
D535,030	S *	1/2007	Brefka et al.	D24/184
D555,249	S *	11/2007	Roleder et al.	D24/184

D561,341	S *	2/2008	Riley	D24/184
D565,734	S *	4/2008	Scott	D24/183
D584,820	S *	1/2009	Scott	D24/183
D603,967	S *	11/2009	Berry et al.	D24/184
D604,420	S *	11/2009	Riley	D24/183
D633,620	S *	3/2011	Avett et al.	D24/183
D655,418	S *	3/2012	Hancock	D24/183
2002/0067060	A1	6/2002	Lloyd		

* cited by examiner

Primary Examiner — T. Chase Nelson

Assistant Examiner — Mark Cavanna

(74) *Attorney, Agent, or Firm* — Gordon & Rees LLP

(57) **CLAIM**

The ornamental design for a patient positioning device, as shown and described.

DESCRIPTION

FIG. 1 is a front perspective view of the patient positioning device, showing the patient positioning device mounted onto a stand having a seat and foot pad.

FIG. 2 is a close up front perspective view of the patient positioning device.

FIG. 3 is a top plan view of the patient positioning device.

FIG. 4 is a bottom plan view of the patient positioning device.

FIG. 5 is a rear elevation view of the patient positioning device.

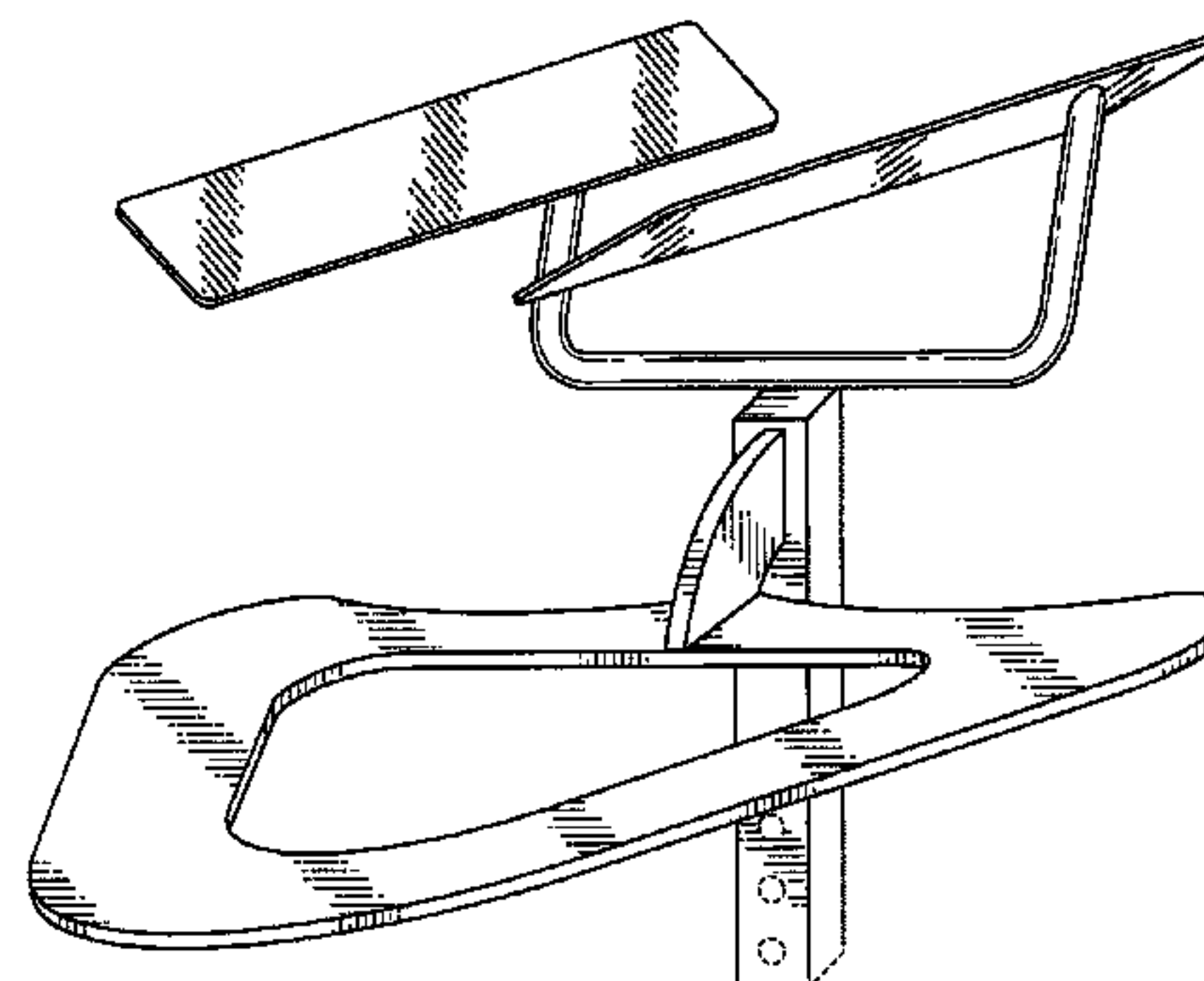
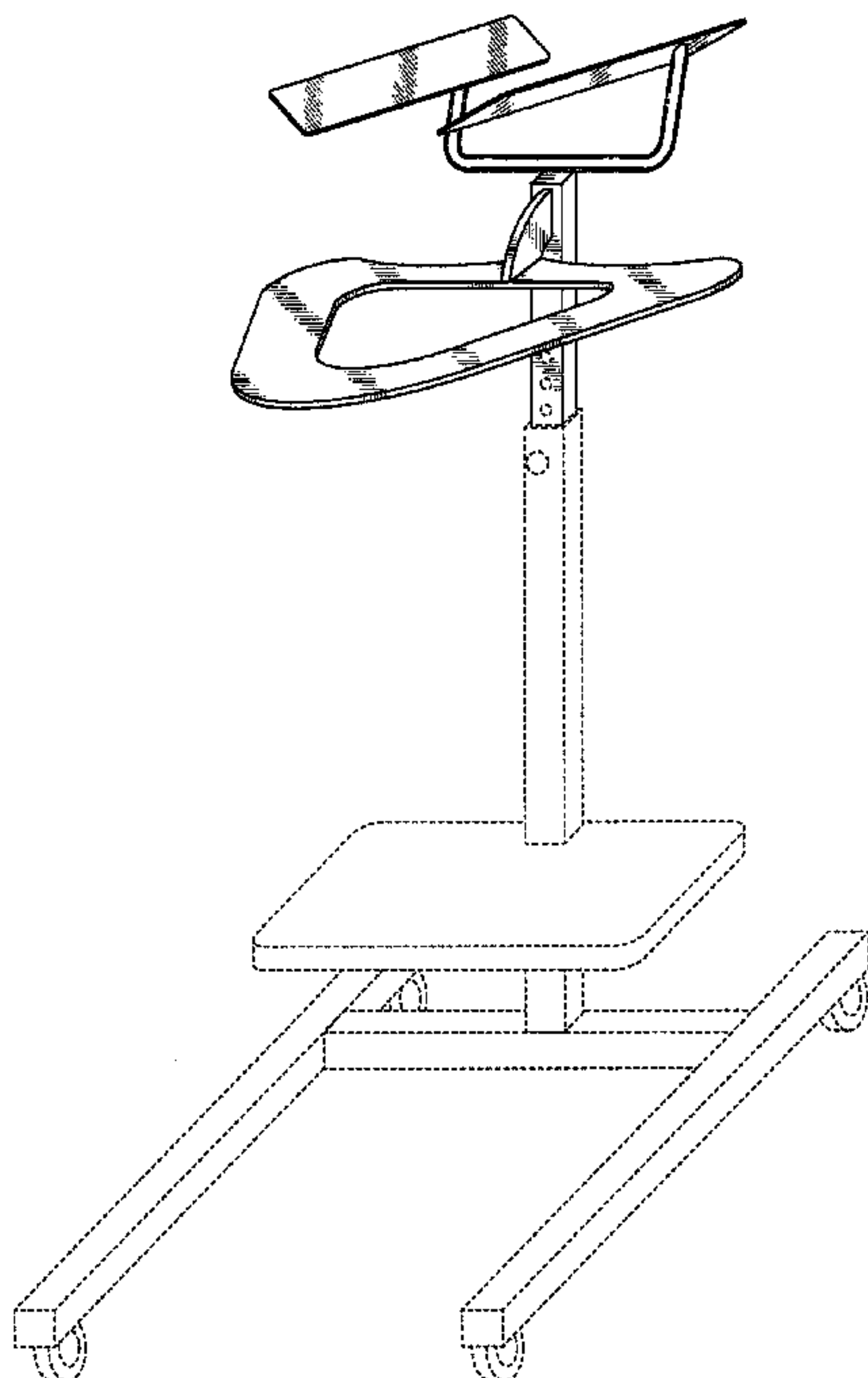
FIG. 6 is a front elevation view of the patient positioning device.

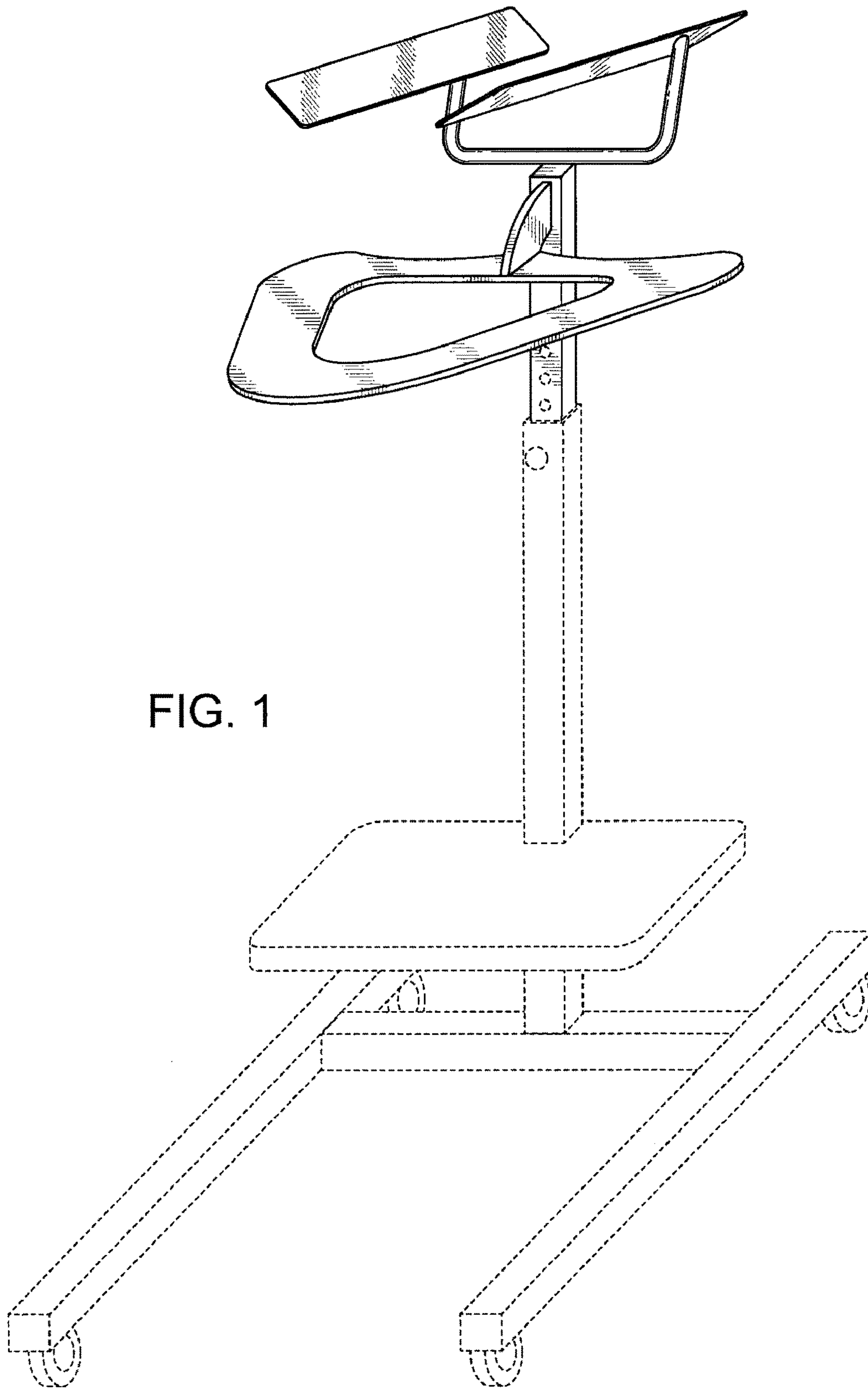
FIG. 7 is a left side elevation view of the patient positioning device; and,

FIG. 8 is a right side elevation view of the patient positioning device.

The broken line showing is for illustrative purposes and forms no part of the claimed design.

1 Claim, 8 Drawing Sheets





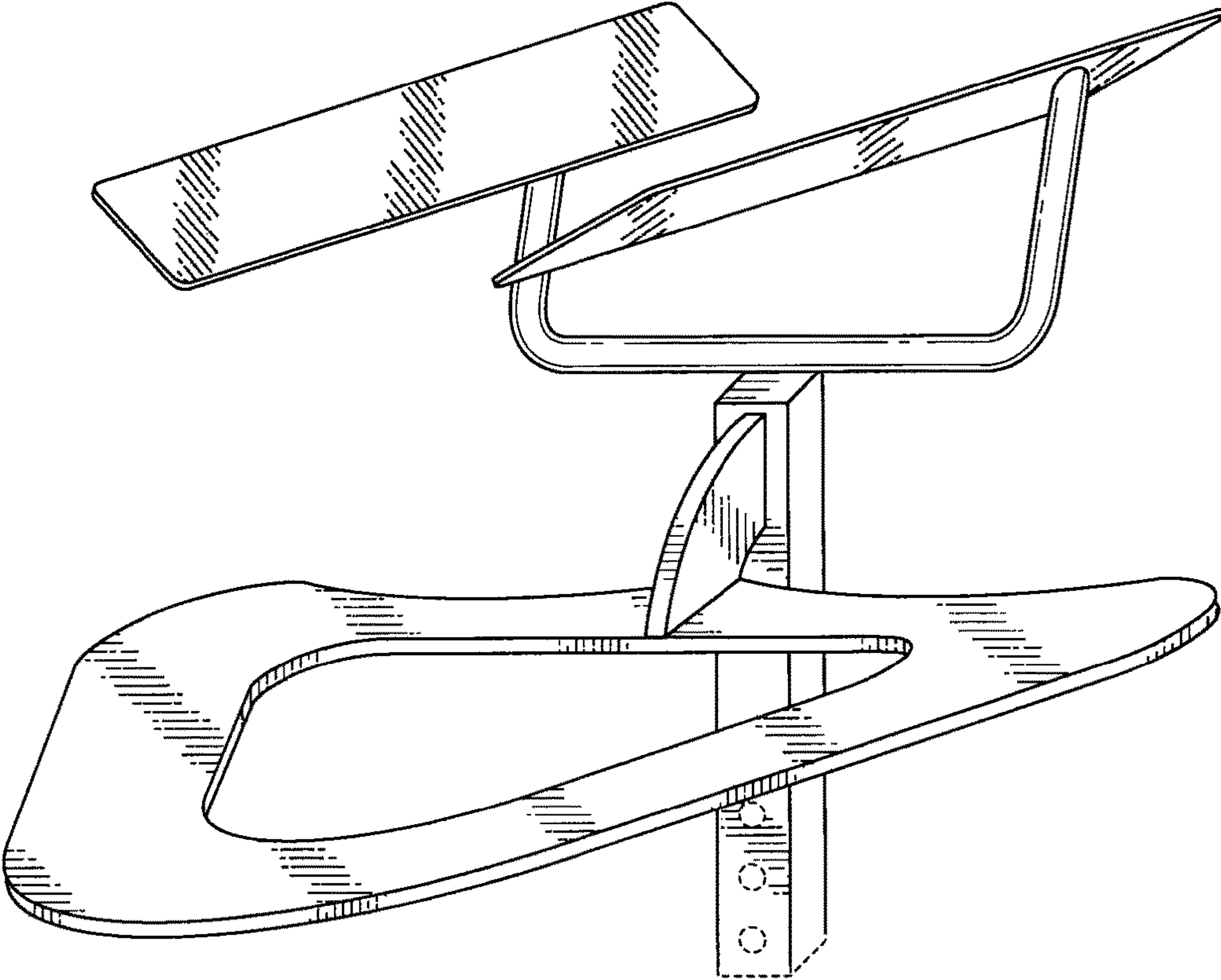


FIG. 2

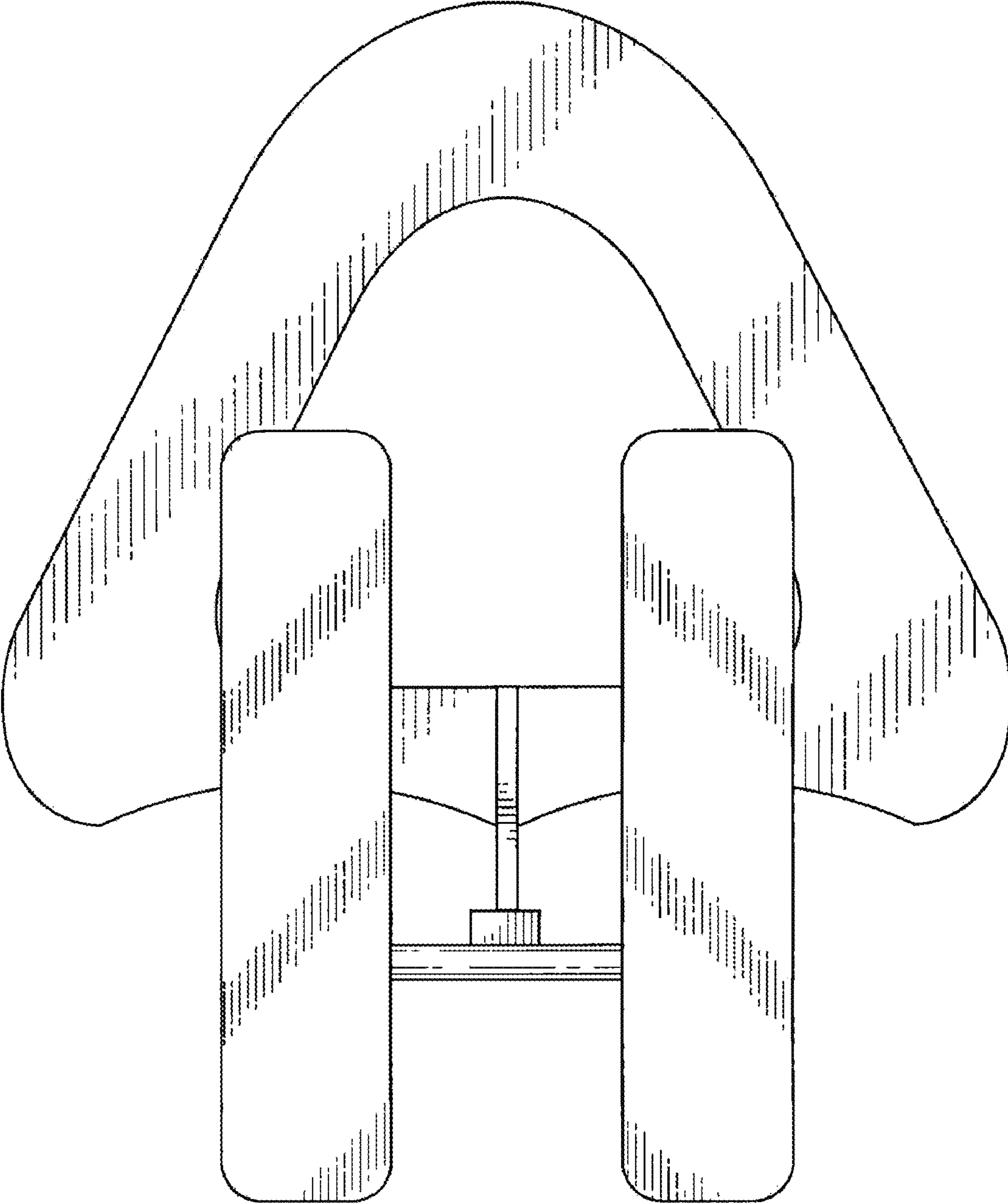


FIG. 3

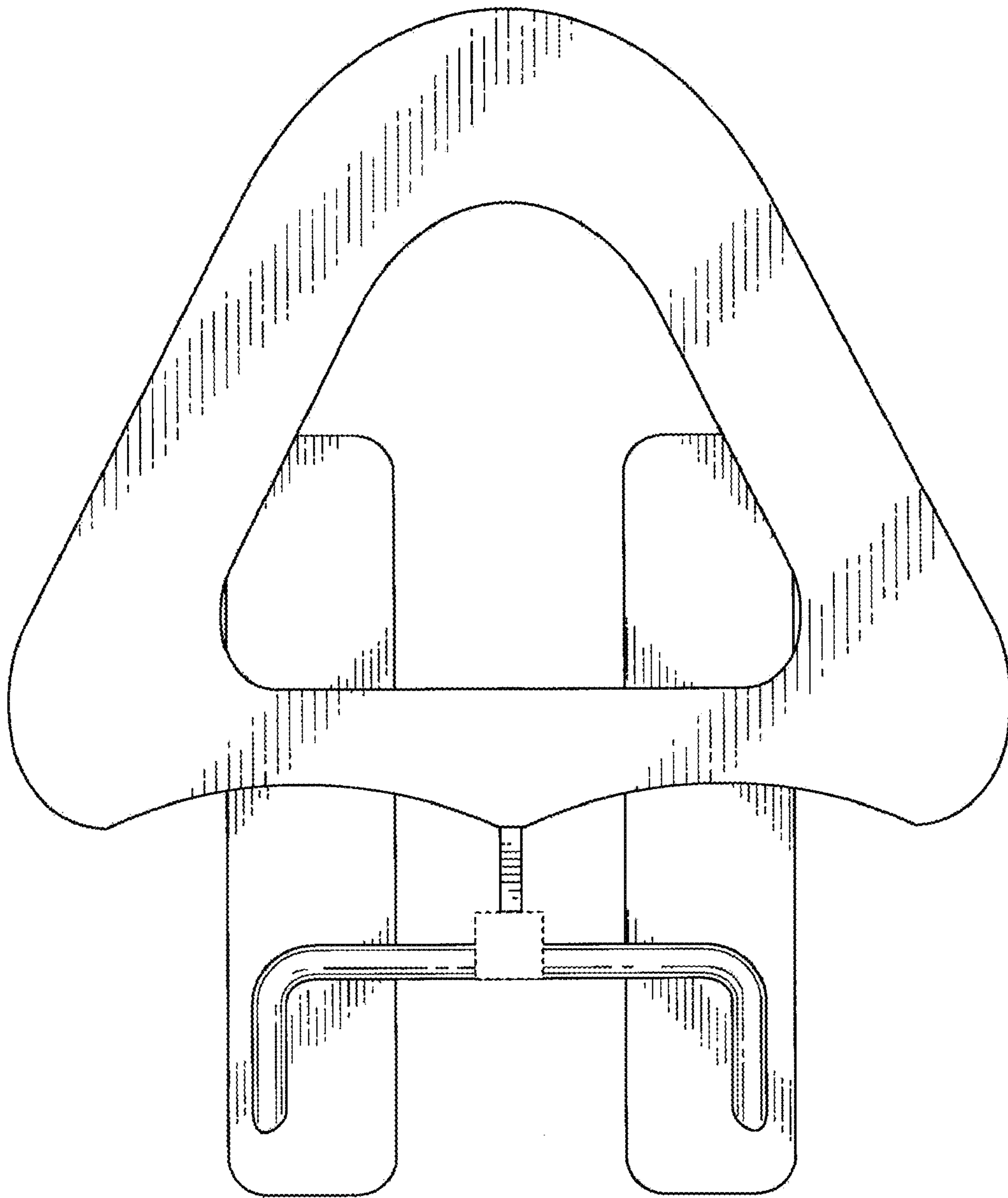


FIG. 4

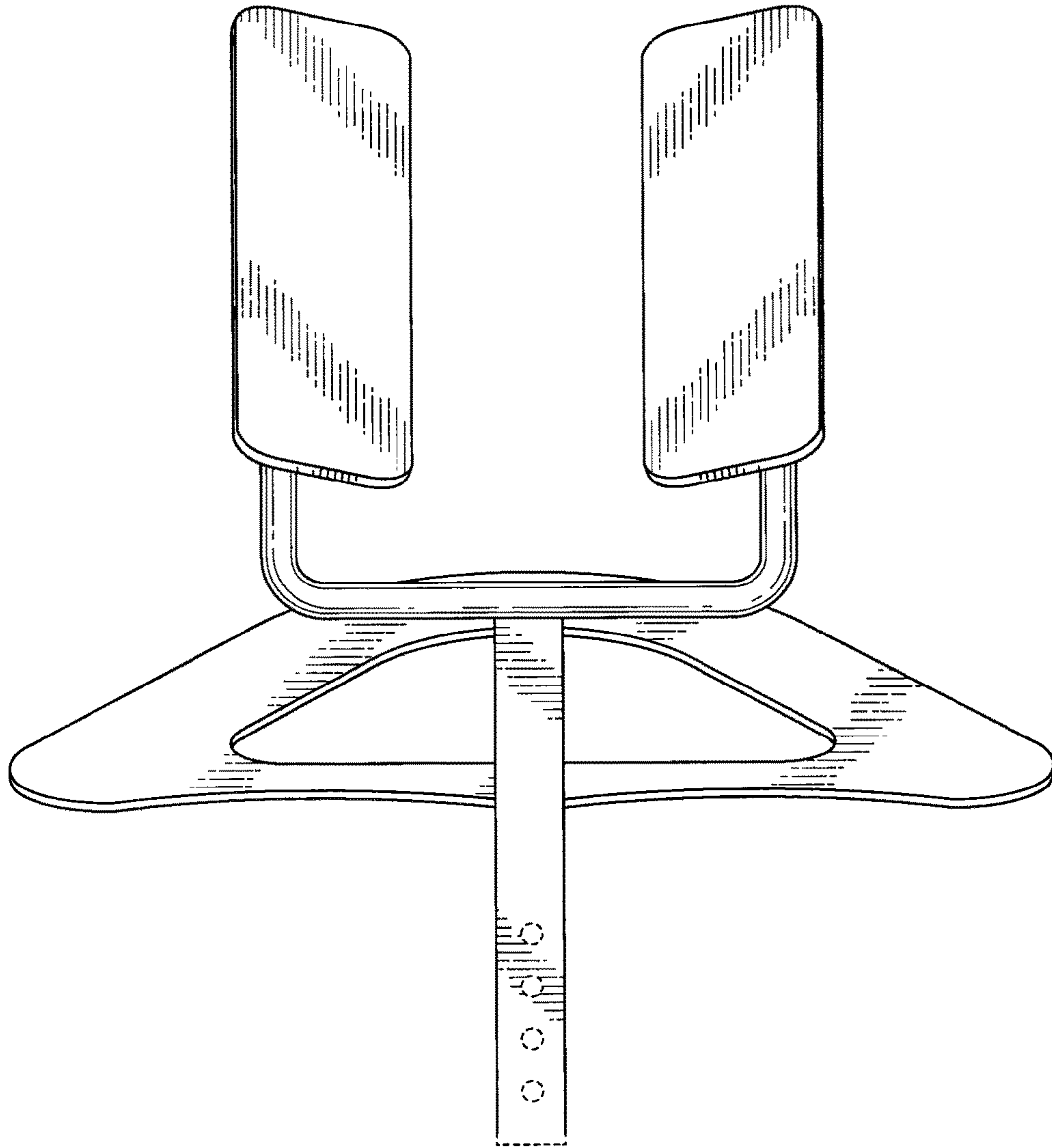


FIG. 5

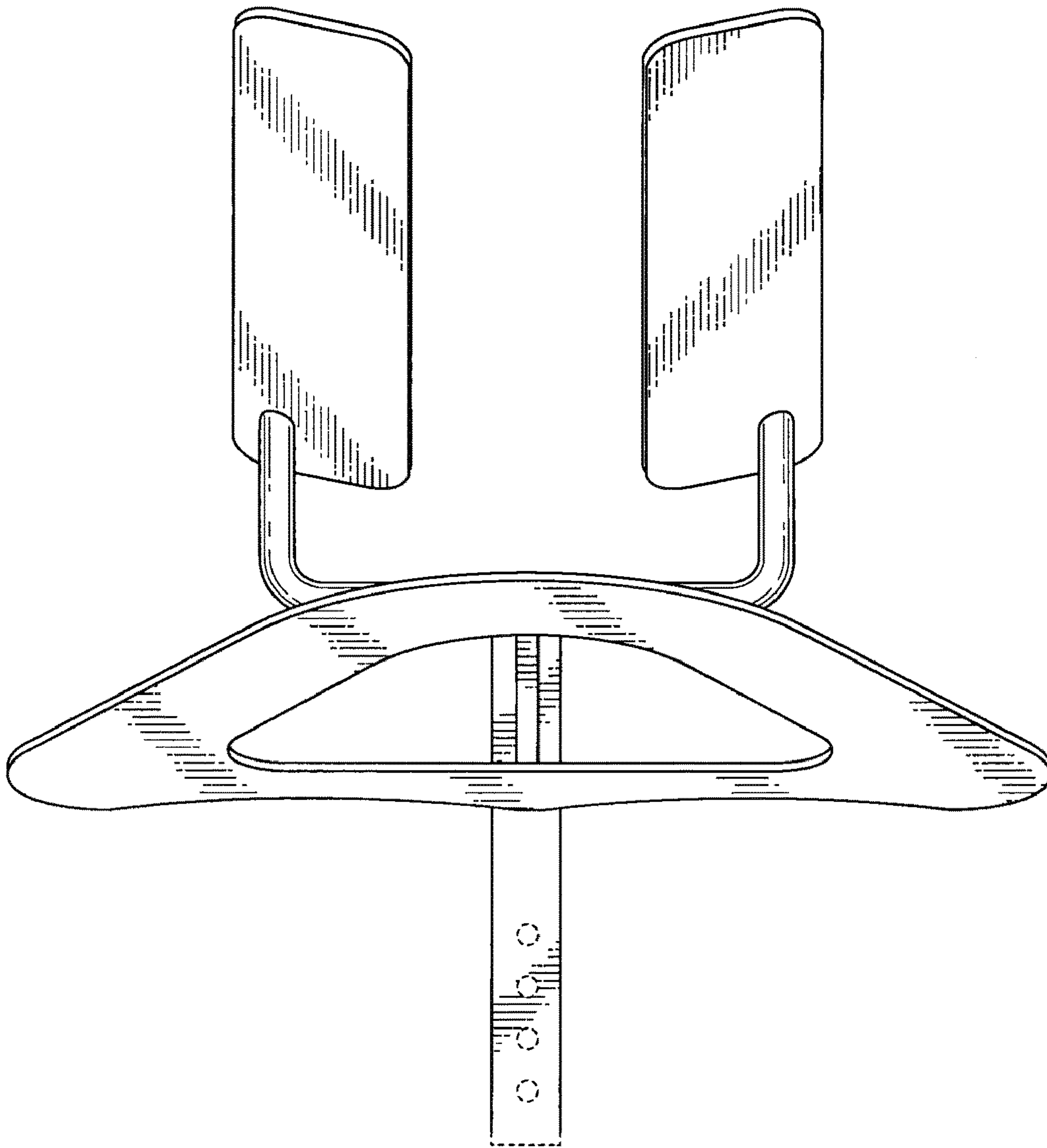


FIG. 6

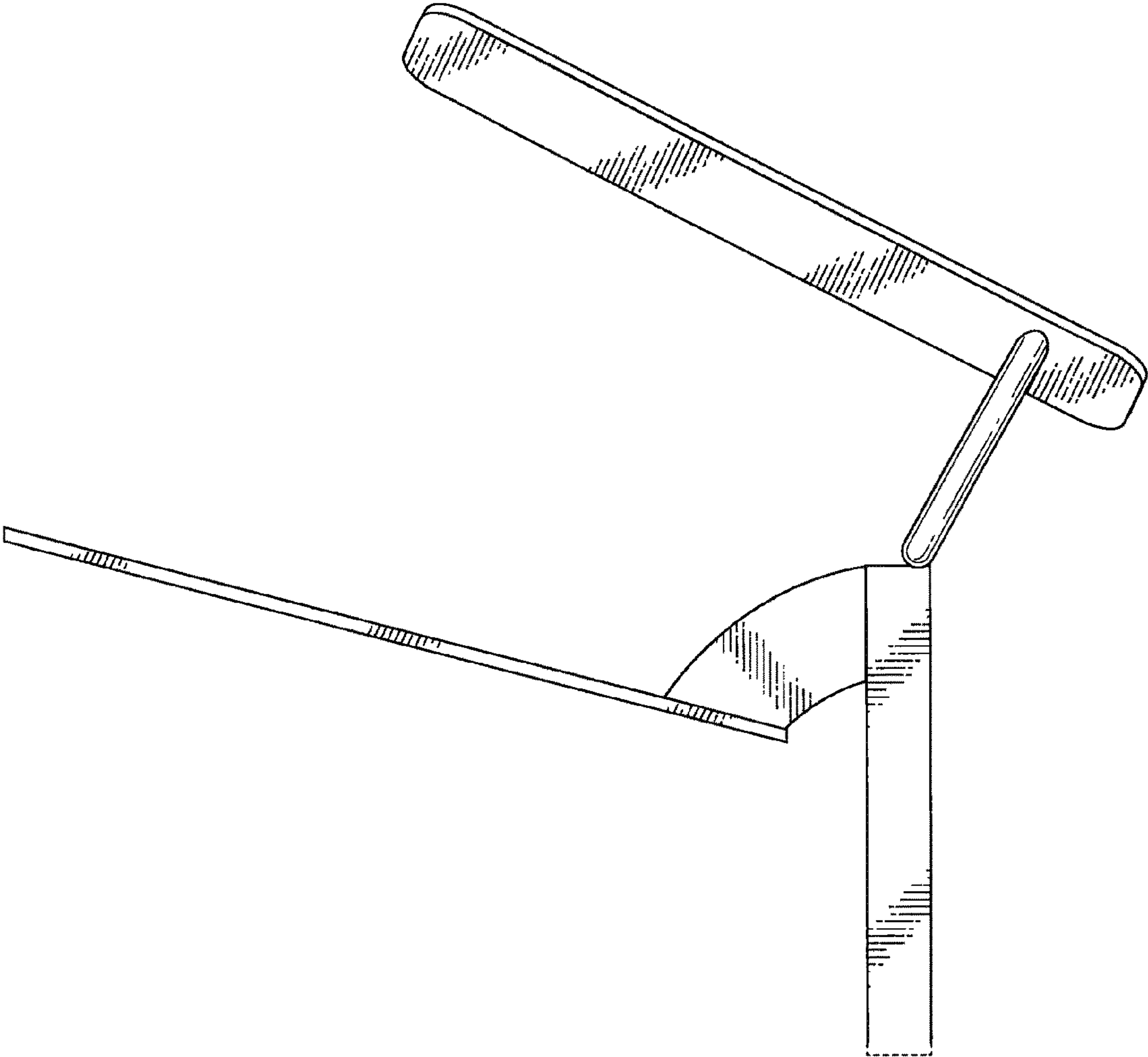


FIG. 7

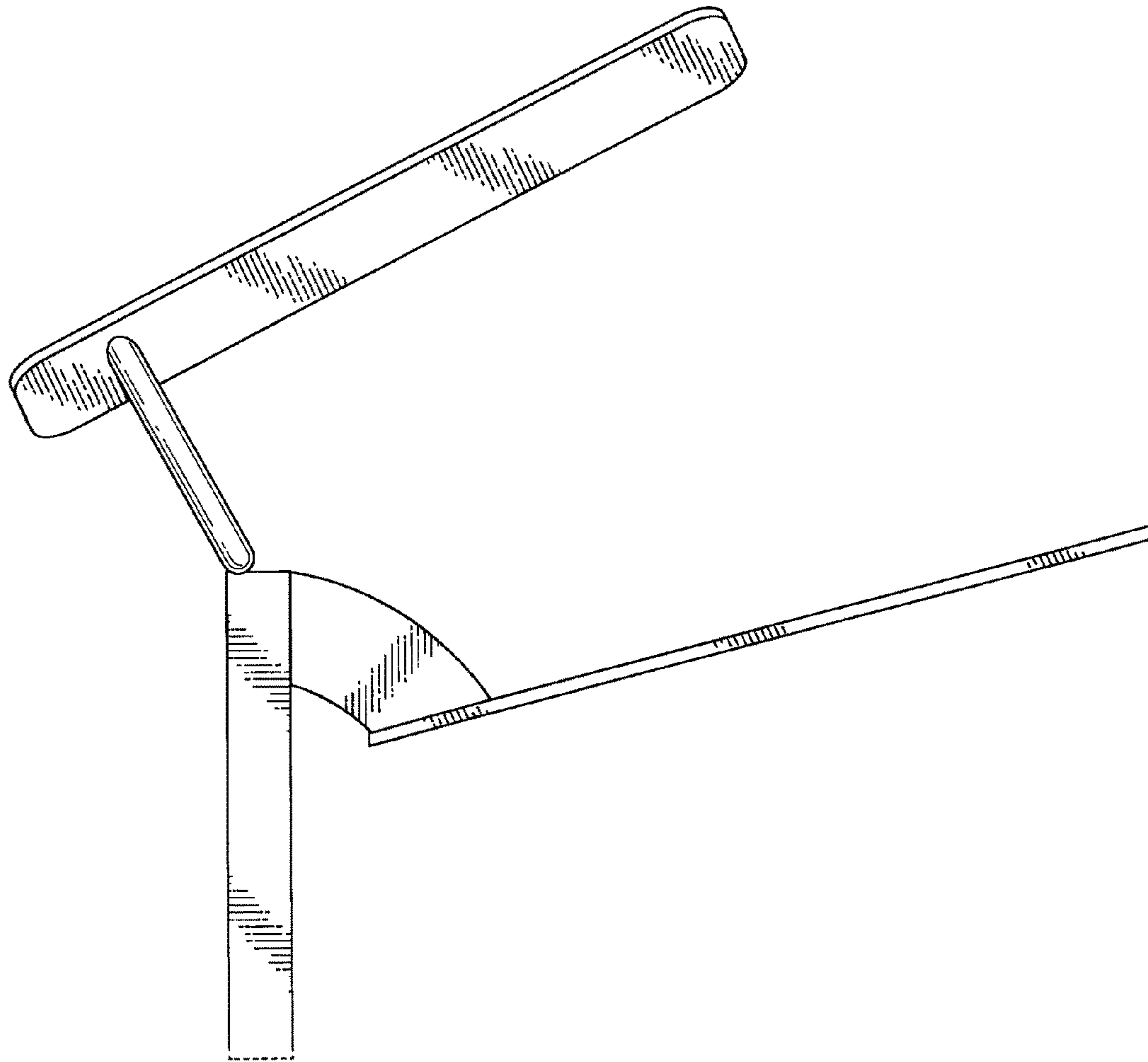


FIG. 8