



US00D659247S

(12) **United States Design Patent**
Lussi et al.

(10) **Patent No.:** **US D659,247 S**
(45) **Date of Patent:** **** May 8, 2012**

(54) **DENTAL IMPLANT**

(75) Inventors: **Jost Lussi**, Zurich (CH); **Marc Zettler**, Rheinfelden (DE); **Francisco Faoro**, Zurich (CH)

(73) Assignee: **Straumann Holding AG**, Basel (CH)

(**) Term: **14 Years**

(21) Appl. No.: **29/397,617**

(22) Filed: **Jul. 19, 2011**

(30) **Foreign Application Priority Data**

Jan. 24, 2011 (WO) 583964401

(51) **LOC (9) Cl.** **24-03**

(52) **U.S. Cl.** **D24/156**

(58) **Field of Classification Search** D24/155-156,
D24/176, 180; D8/387; 433/172-176
See application file for complete search history.

(56) **References Cited**

U.S. PATENT DOCUMENTS

5,934,906	A	8/1999	Phimmasone	
6,068,479	A	5/2000	Kwan	
6,749,430	B2 *	6/2004	Arturo	433/173
6,769,913	B2 *	8/2004	Hurson	433/173
7,163,398	B2 *	1/2007	Klardie et al.	433/173
7,207,800	B1	4/2007	Kwan	
7,887,325	B2 *	2/2011	Whipple	433/163
8,011,926	B2 *	9/2011	Ford et al.	433/174
2003/0082498	A1	5/2003	Halldin et al.	
2004/0219488	A1	11/2004	Choi et al.	
2005/0106534	A1 *	5/2005	Gahlert	433/173
2006/0003290	A1 *	1/2006	Niznick	433/174
2006/0078847	A1	4/2006	Kwan	
2006/0199151	A1 *	9/2006	Hurson	433/173
2008/0293017	A1 *	11/2008	Lussi et al.	433/196
2009/0286202	A1 *	11/2009	Ford et al.	433/174
2010/0003639	A1 *	1/2010	Salvi et al.	433/174
2011/0014586	A1	1/2011	Jorneus	

FOREIGN PATENT DOCUMENTS

EM	000421755-0001	*	12/2005
EM	000421755-0002	*	12/2005

EM	001197545-0002	*	3/2010
WO	WO 02/45615	A1	6/2002
WO	WO 03/037208	A1	5/2003
WO	WO 2004/096075	A1	11/2004
WO	WO 2006/138353	A2	12/2006
WO	WO 2007/025784	A2	3/2007
WO	WO 2007/039206	A1	4/2007
WO	WO 2008/006868	A1	1/2008
WO	WO 2008/138644	A1	11/2008
WO	WO 2009/060415	A3	5/2009
WO	WO 2010/025839	A1	3/2010
WO	WO 2011/012285	A1	2/2011

(Continued)

OTHER PUBLICATIONS

International Search Report in PCT/EP2010/004584 mailed Dec. 2, 2010.

(Continued)

Primary Examiner — Wan Laymon

(74) *Attorney, Agent, or Firm* — Rissman Hendricks & Oliverio LLP

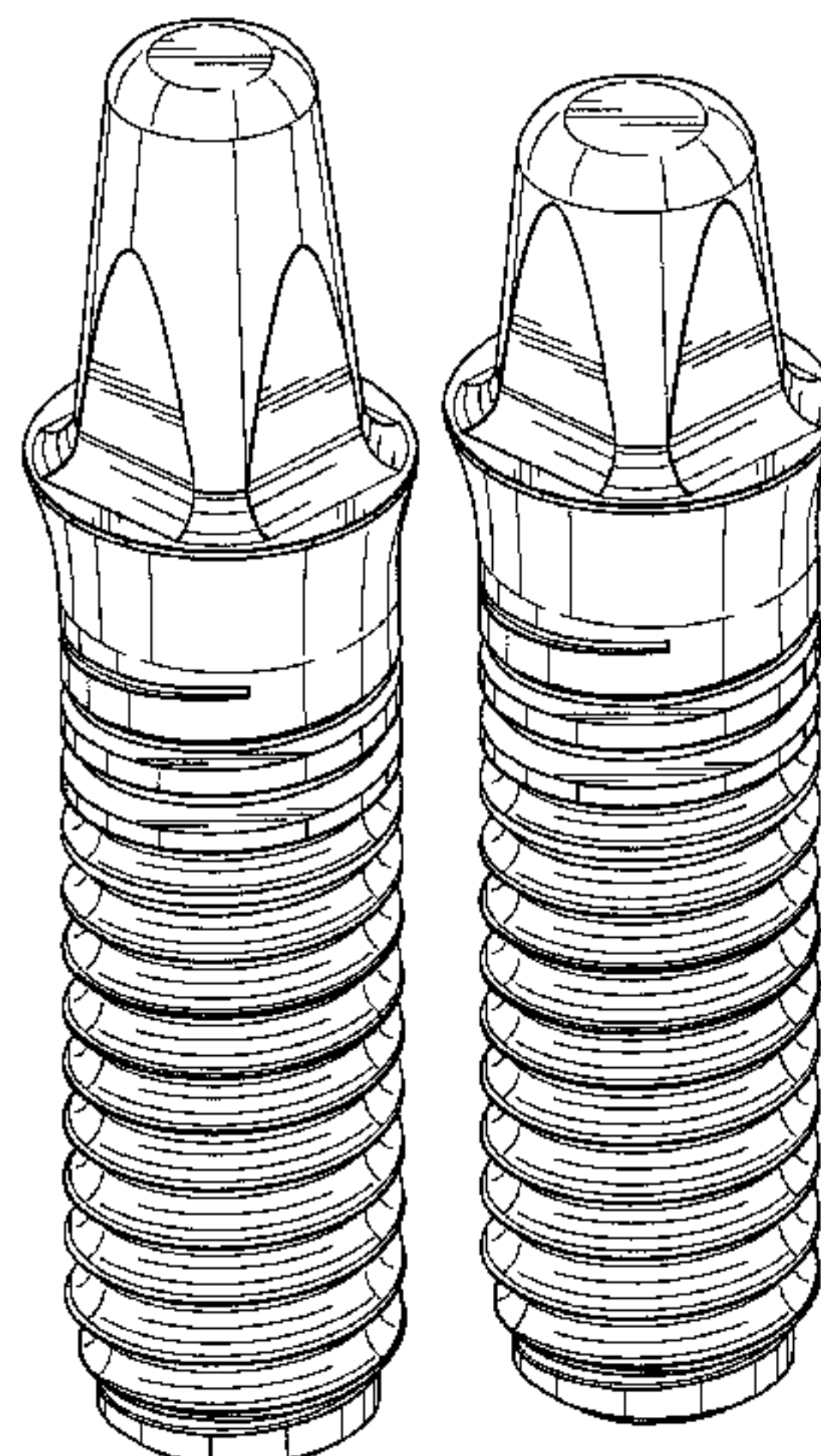
(57) **CLAIM**

The ornamental design for a dental implant, as shown and described.

DESCRIPTION

FIG. 1 is a side elevational view of a dental implant according to a first embodiment of our new design; FIG. 2 is an end elevational view thereof; FIG. 3 is a bottom plan view thereof; FIG. 4 is a perspective view thereof; FIG. 5 is a top plan view thereof; FIG. 6 is a side elevational view of a dental implant according to a second embodiment of our new design; FIG. 7 is an end elevational view thereof; FIG. 8 is a bottom view plan thereof; FIG. 9 is a perspective view thereof; and, FIG. 10 is a top plan view thereof.

1 Claim, 4 Drawing Sheets



FOREIGN PATENT DOCUMENTS

WO WO 2011012285 A1 2/2011

OTHER PUBLICATIONS

EP Search Report in EP 09009675.1 mailed Jan. 27, 2010.

Swissreg extract trademarks—Trademark No. 523525.

Swissreg extract trademarks—Trademark No. 523526.

Swissreg extract trademarks—Trademark No. 523527.

Swissreg extract trademarks—Trademark No. 523528.

Swissreg extract trademarks—Trademark No. 523529.

Swissreg extract trademarks—Trademark No. 523530.

* cited by examiner

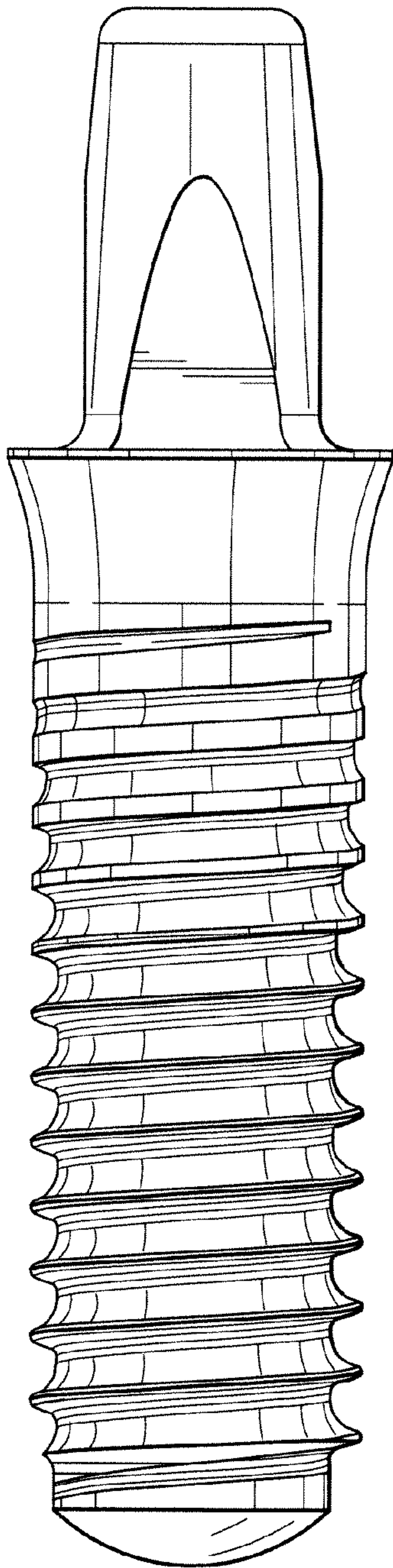


FIG. 1

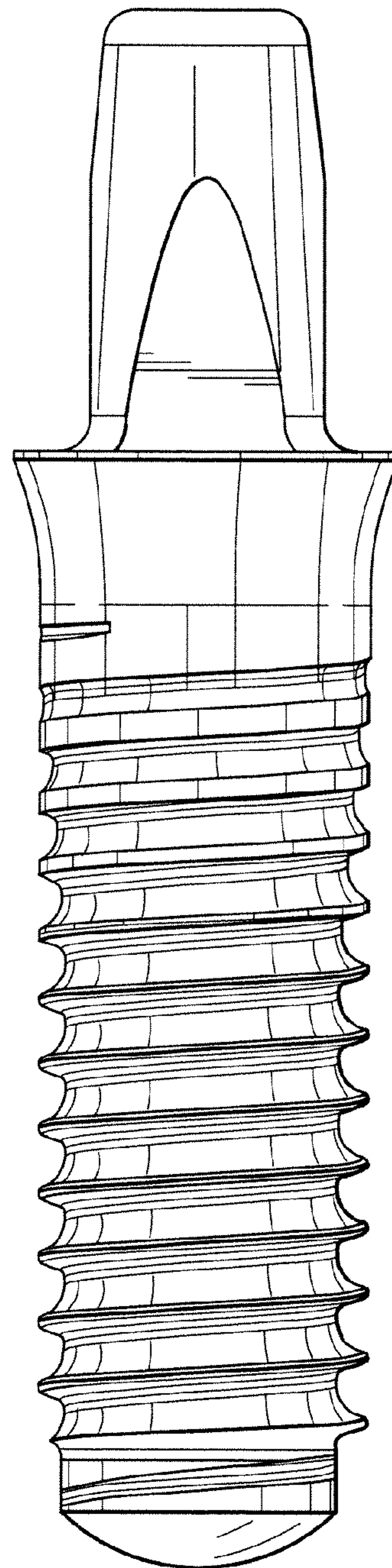


FIG. 2

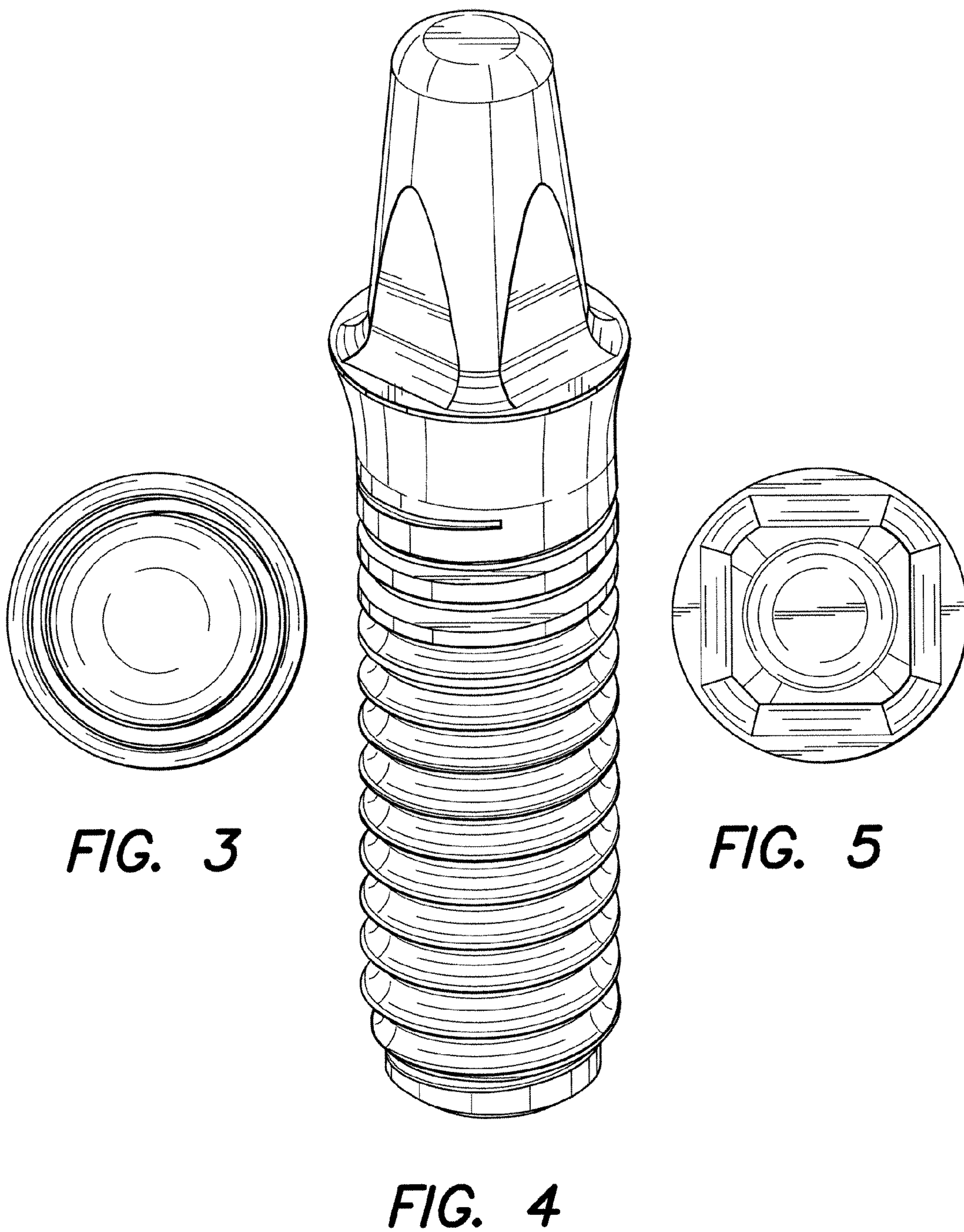


FIG. 3

FIG. 5

FIG. 4

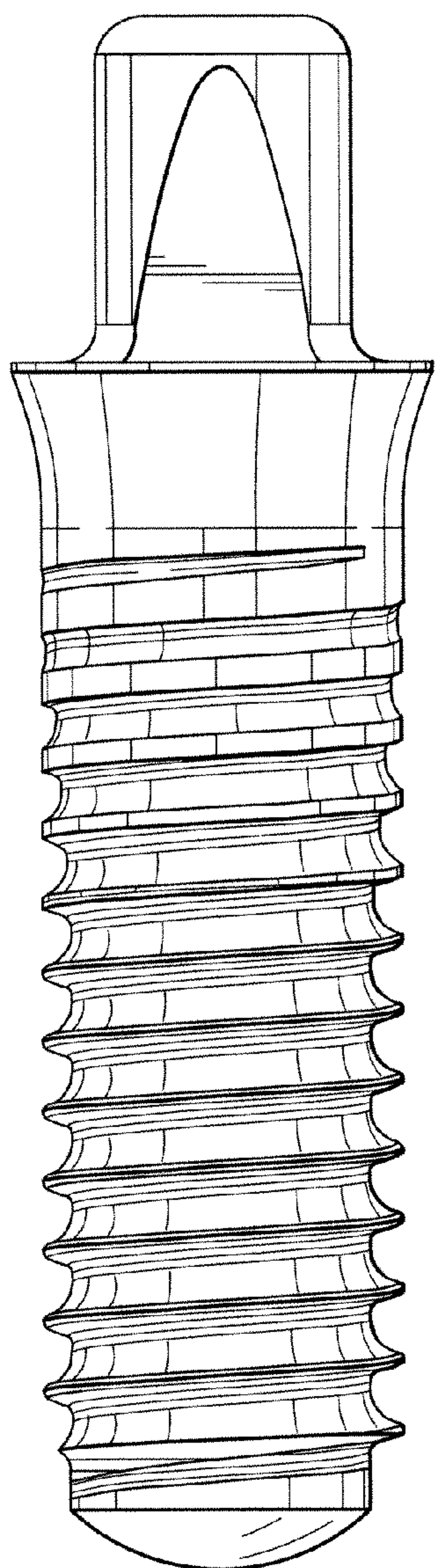


FIG. 6

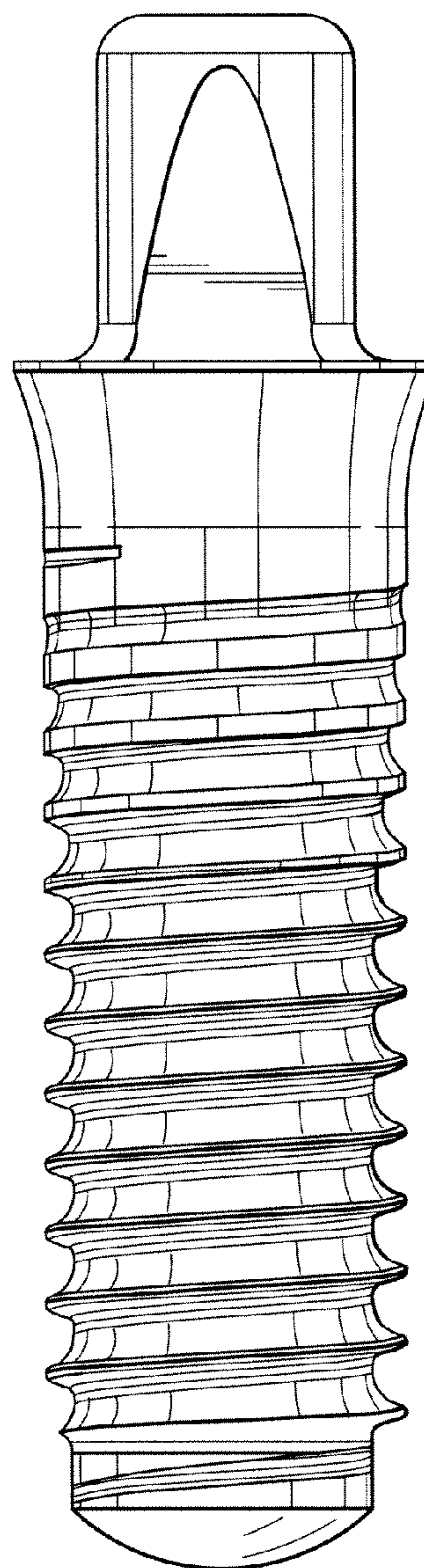


FIG. 7

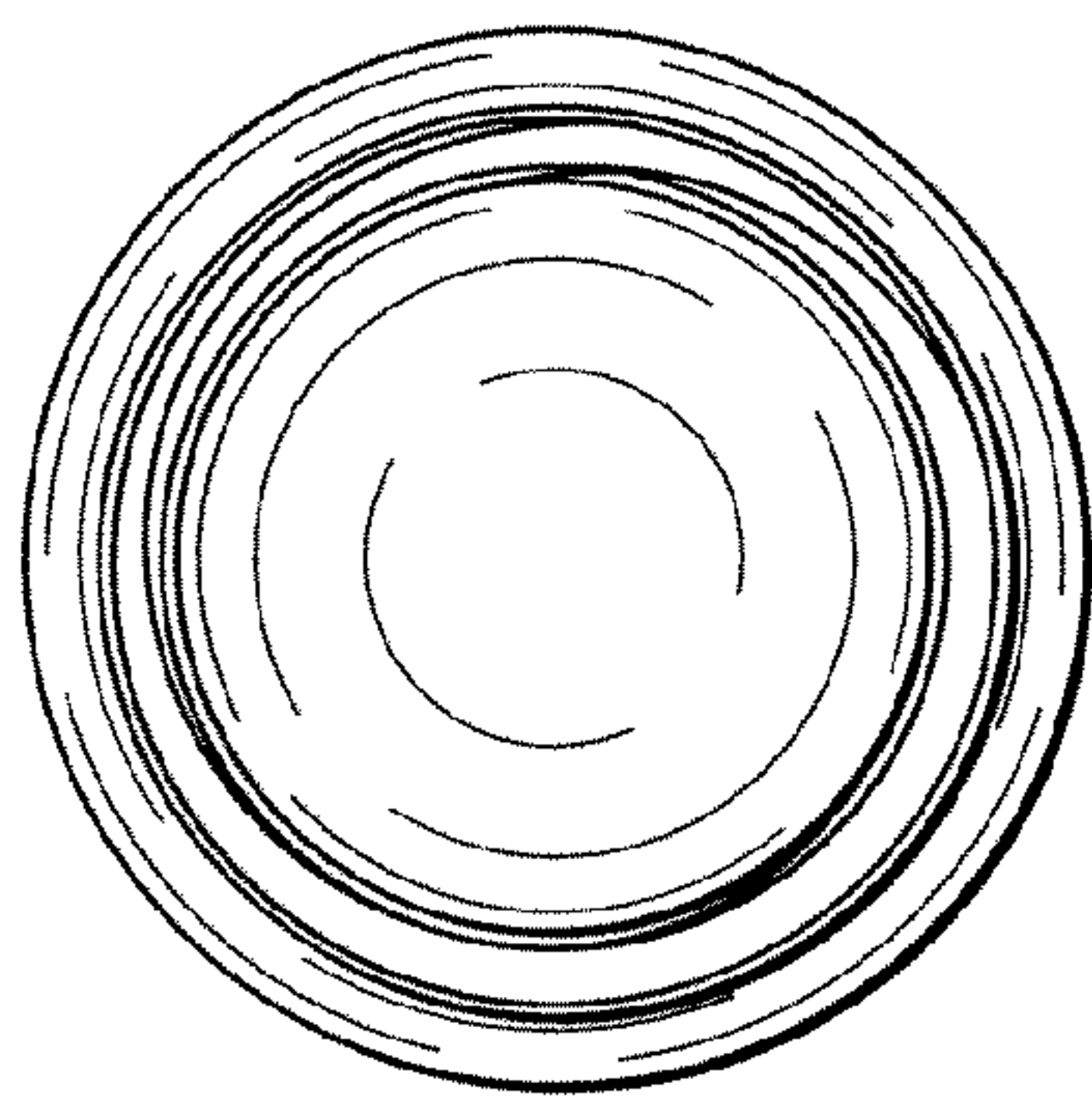


FIG. 8

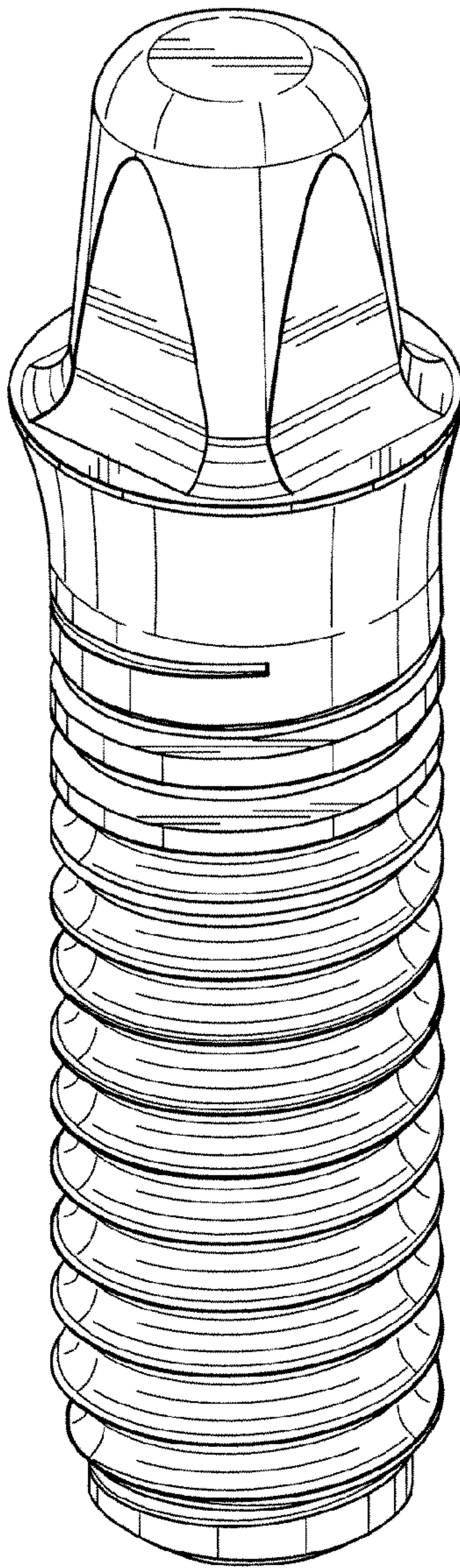


FIG. 9

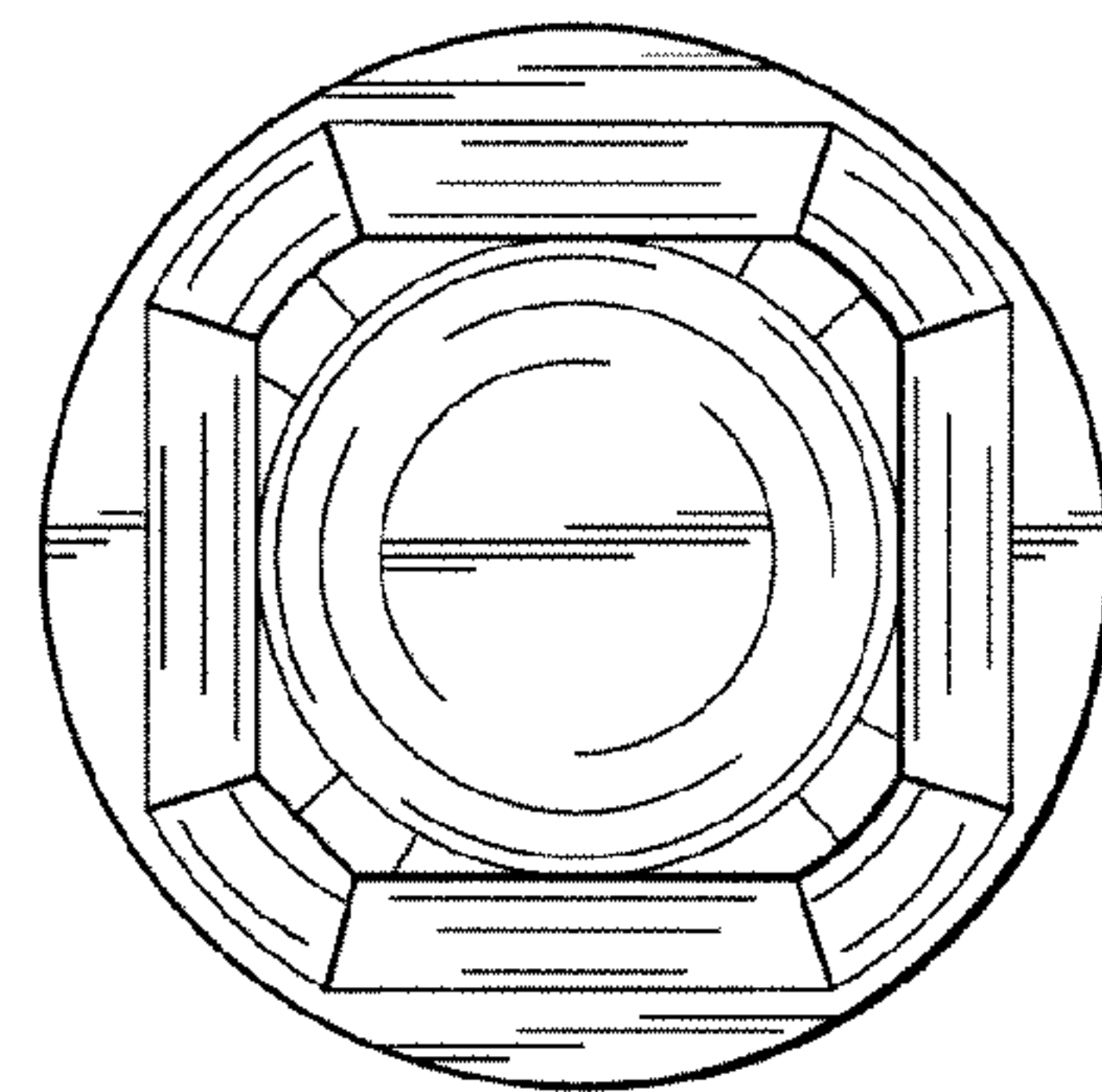


FIG. 10