



US00D659243S

(12) **United States Design Patent**
Sangha

(10) **Patent No.:** **US D659,243 S**

(45) **Date of Patent:** **** May 8, 2012**

(54) **CONTAINER CAP WITH HOSE CONNECTOR**

(76) **Inventor:** **Jangbir S. Sangha**, Overland Park, KS
(US)

(**) **Term:** **14 Years**

(21) **Appl. No.:** **29/383,835**

(22) **Filed:** **Jan. 22, 2011**

(51) **LOC (9) Cl.** **24-02**

(52) **U.S. Cl.** **D24/129**

(58) **Field of Classification Search** D24/216–230,
D24/110, 121, 127; D9/439, 440, 503, 521;
422/99–102, 104; 435/288.1, 288.2, 294.1,
435/295.1; 356/246; 215/227–296

See application file for complete search history.

(56) **References Cited**

U.S. PATENT DOCUMENTS

3,346,135	A *	10/1967	Haitsch	215/227
D287,570	S *	1/1987	Olsen	D24/224
D293,819	S *	1/1988	Alvi	D24/224
D328,244	S *	7/1992	Hamilton et al.	D9/724
D355,119	S *	2/1995	Zimmermann et al.	D9/440
5,612,218	A *	3/1997	Busch et al.	435/288.1
D383,214	S *	9/1997	Brennan	D24/224
D385,793	S *	11/1997	Marsal	D9/503
5,687,867	A *	11/1997	Lamoureux	215/303
D389,586	S *	1/1998	Brennan	D24/224
D389,761	S *	1/1998	Thomas	D10/103
D424,440	S *	5/2000	Wilkinson et al.	D9/446
D447,561	S *	9/2001	Rudzena et al.	D24/121
D457,247	S *	5/2002	Iheme et al.	D24/224

D555,802	S *	11/2007	Coulling et al.	D24/224
D612,513	S *	3/2010	Hendricks et al.	D24/227
2004/0211744	A1 *	10/2004	Marzokah	215/252
2006/0175280	A1 *	8/2006	Anraku et al.	215/247

OTHER PUBLICATIONS

Bode Secure Swab Collectors Product Note from www.bodetech.com dated Aug. 2008.*

* cited by examiner

Primary Examiner — T. Chase Nelson

Assistant Examiner — Eric Goodman

(74) *Attorney, Agent, or Firm* — Polsinelli Shughart PC; Richard Stitt

(57) **CLAIM**

The ornamental design for a container cap with hose connector, as shown and described.

DESCRIPTION

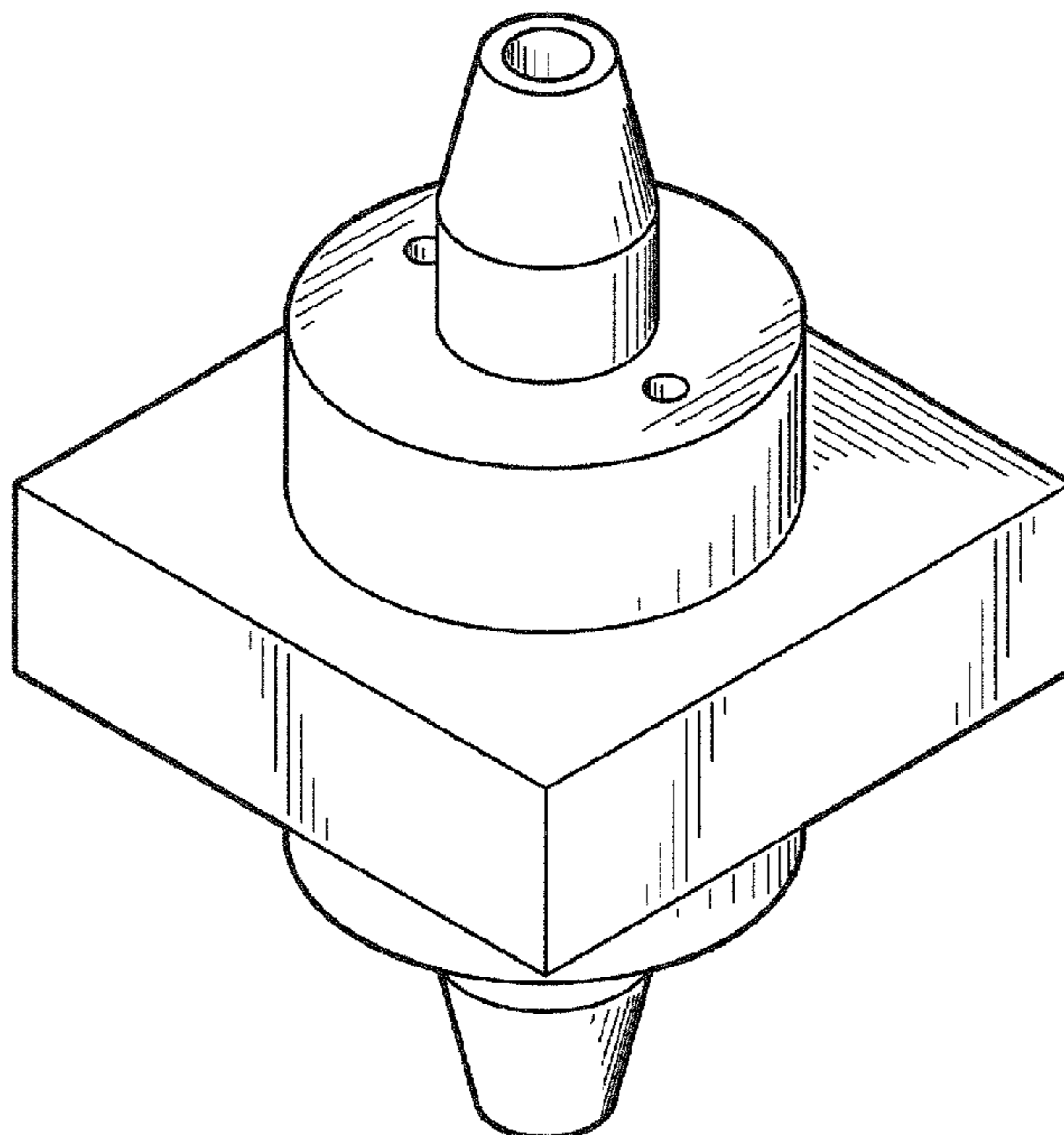
FIG. 1 is a top and front and right side perspective view of the container cap with hose connector showing our new design, the bottom and rear and left side perspective view being a mirror image thereof;

FIG. 2 is a top plan view of the container cap with hose connector of FIG. 1;

FIG. 3 is a front elevation view of the container cap with hose connector of FIG. 1, the rear elevation view being a mirror image thereof; and,

FIG. 4 is a bottom plan view of the container cap with hose connector.

1 Claim, 1 Drawing Sheet



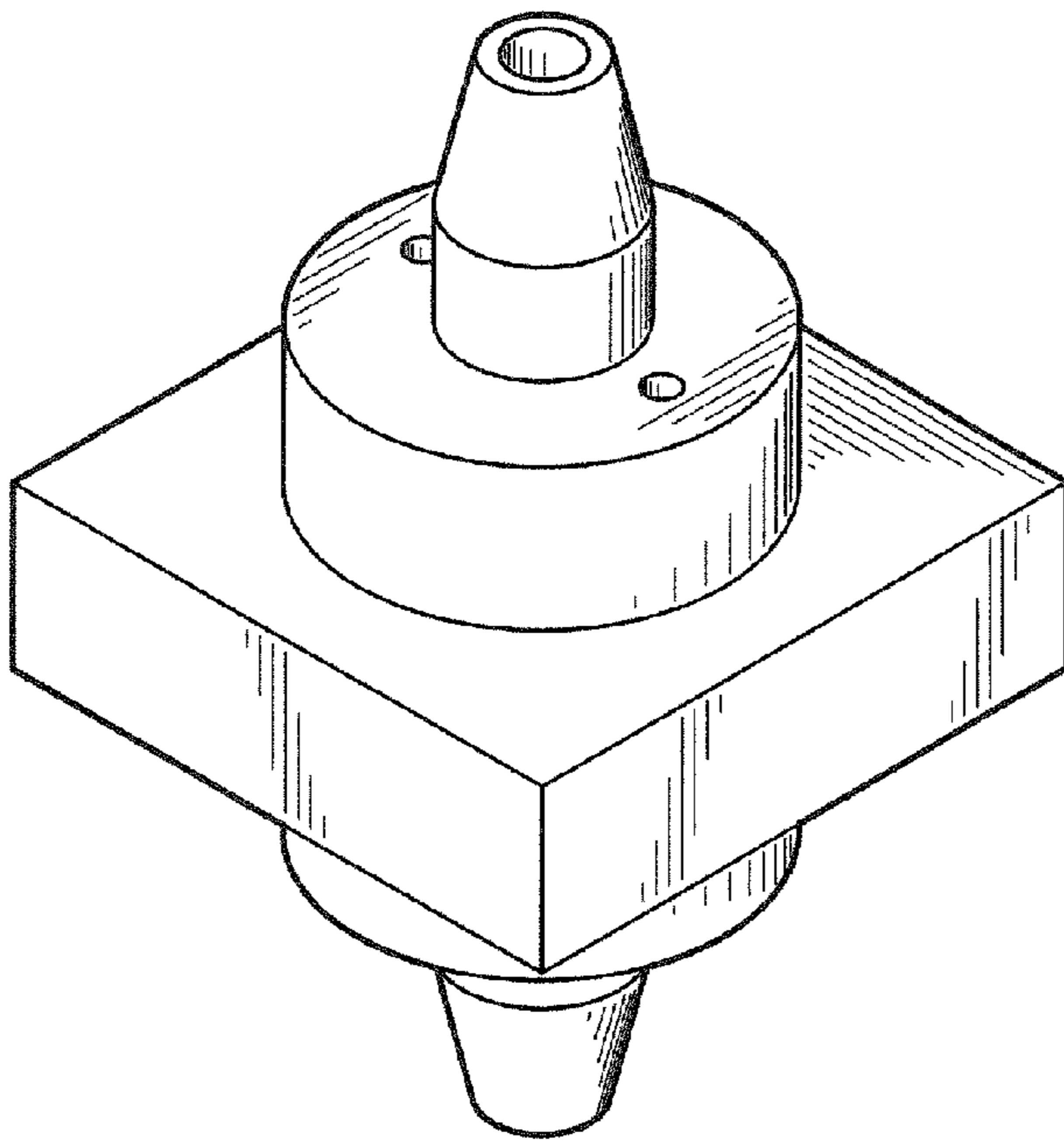


Fig. 1

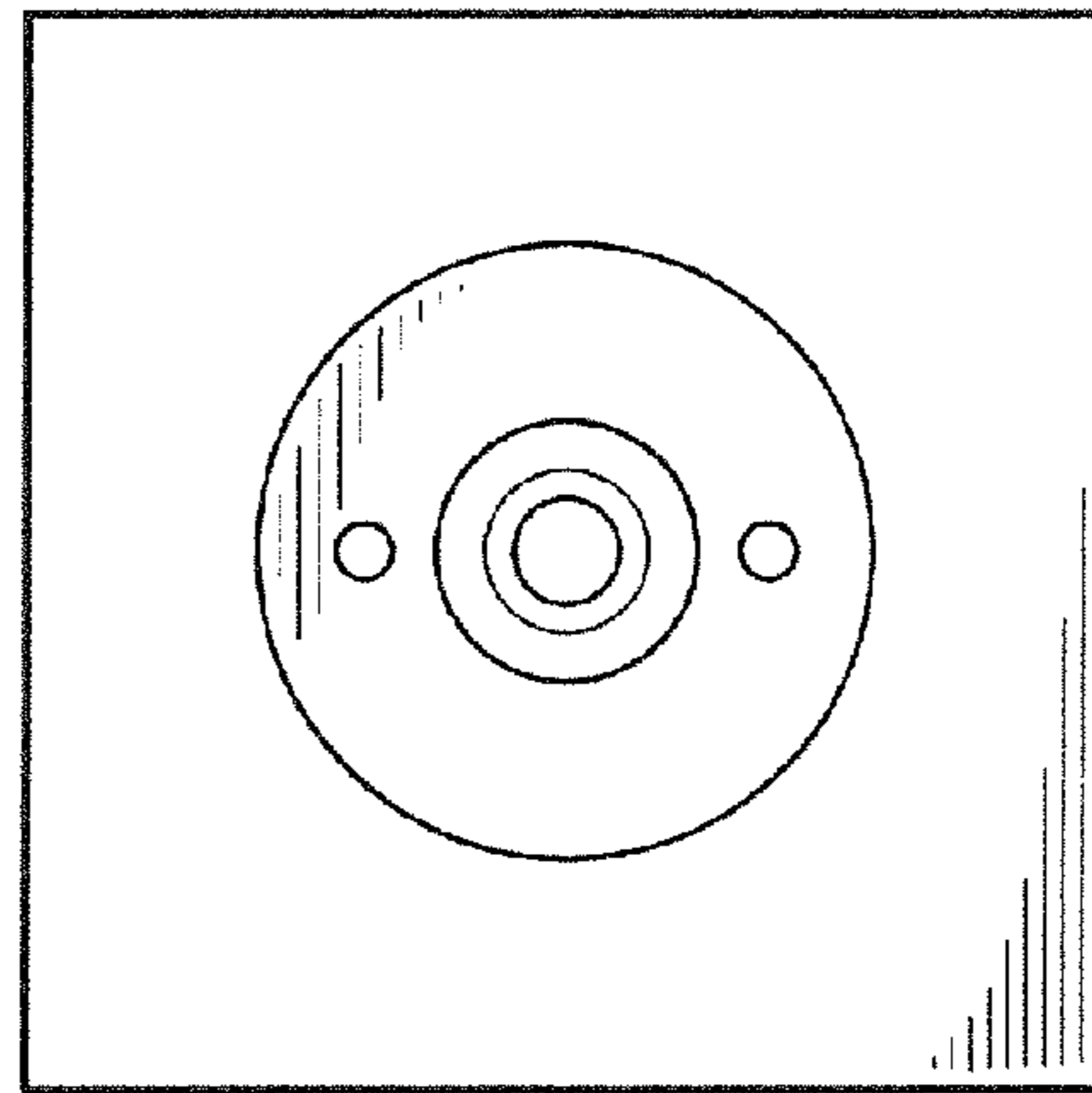


Fig. 2

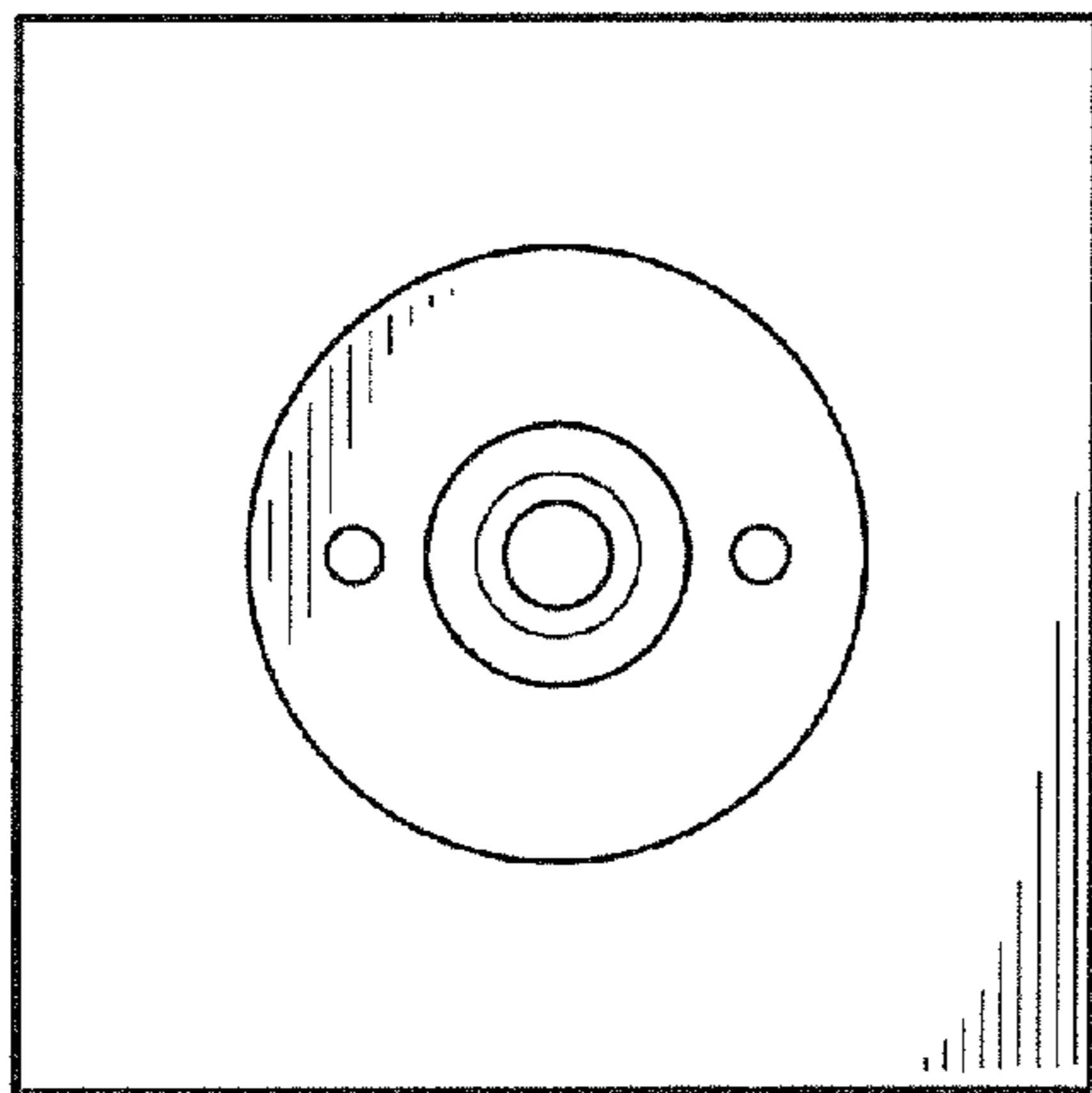


Fig. 4

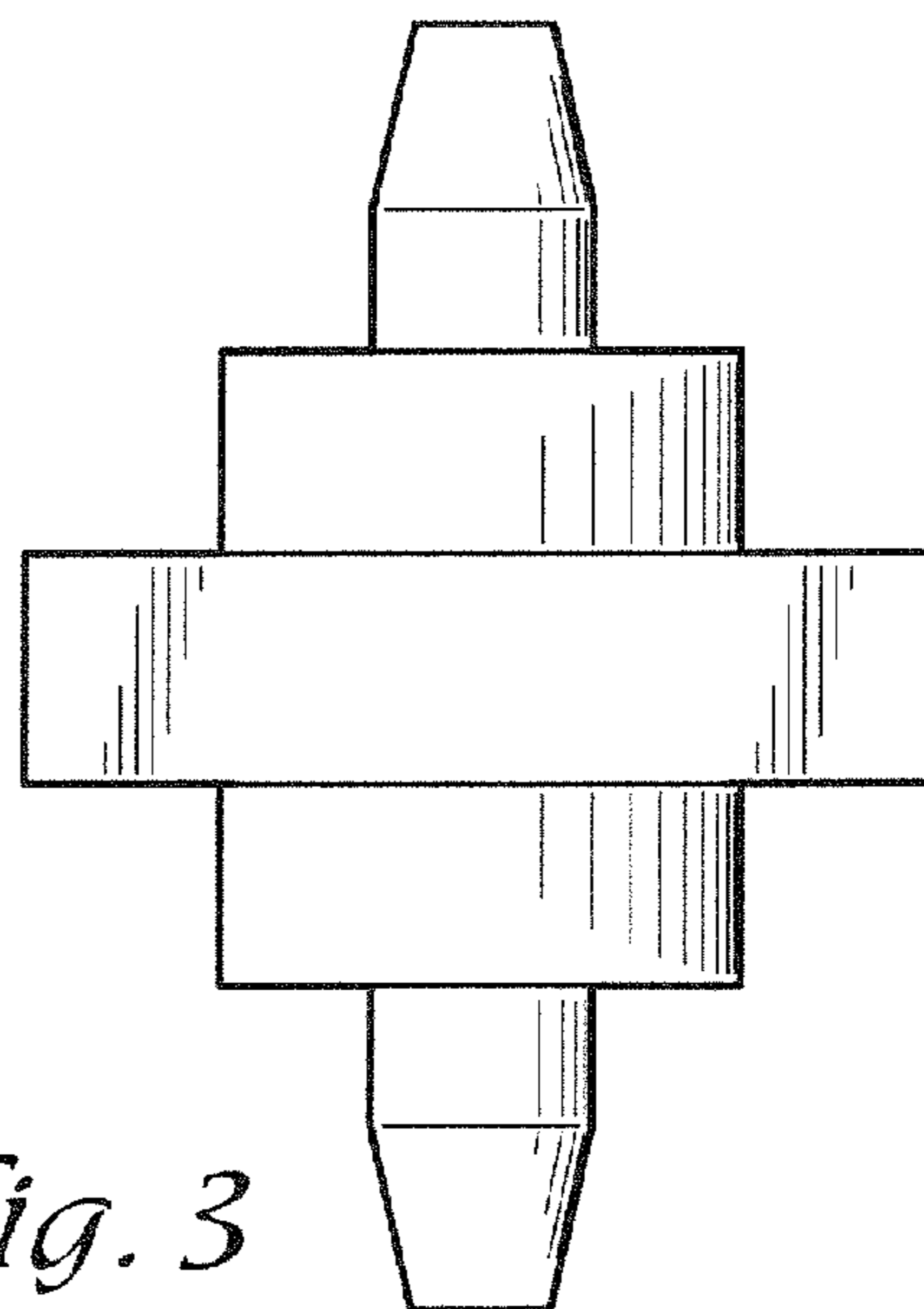


Fig. 3