



US00D659235S

(12) **United States Design Patent**  
**Bertinetti et al.**

(10) **Patent No.:** **US D659,235 S**

(45) **Date of Patent:** **\*\* May 8, 2012**

(54) **POSITIVE AIRWAY PRESSURE DELIVERY DEVICE**

(75) Inventors: **Mark Bertinetti**, Lane Cove (AU); **Perry David Lithgow**, Glenwood (AU); **Rohan Neil Primrose**, Marsfield (AU); **Phoebe Katherine Hill**, Neutral Bay (AU); **Richard Llewelyn Jones**, Hornsby Heights (AU); **Dimitri Marco Maurer**, Umina (AU); **Alexander Virr**, Balmain (AU); **Hargopal Verma**, Bella Vista (AU); **Dan Kao**, Chatswood (AU); **Henri Spaile**, Bella Vista (AU); **Nicholas Andrew Earl**, Bella Vista (AU); **Mark Armstrong**, Bella Vista (AU); **Justin Peter Wagemakers**, Bella Vista (AU); **Kenneth Lam**, Bella Vista (AU); **Bazil Yuen-fung Tung**, Bella Vista (AU); **Saad Nasr**, Brighton Le Sands (AU); **Ian Malcolm Smith**, Westleigh (AU)

(73) Assignee: **ResMed Limited**, Bella Vista (AU)

(\*\*) Term: **14 Years**

(21) Appl. No.: **29/309,086**

(22) Filed: **Jun. 19, 2008**

(51) **LOC (9) Cl.** ..... **29-02**

(52) **U.S. Cl.** ..... **D24/110**

(58) **Field of Classification Search** ..... D24/110, D24/164; D23/356, 358; 128/200.16, 200.18, 128/200.23, 200.24, 200.22, 202.27, 203.16, 128/203.17, 203.27, 204.14, 204.18, 204.23  
See application file for complete search history.

(56) **References Cited**

**U.S. PATENT DOCUMENTS**

D421,298 S \* 2/2000 Kenyon et al. .... D24/110  
D427,675 S \* 7/2000 Hansel ..... D24/110  
D467,335 S \* 12/2002 Lithgow et al. .... D24/110  
D476,077 S \* 6/2003 Lithgow et al. .... D24/110  
D477,868 S \* 7/2003 Lithgow et al. .... D24/110

D487,311 S \* 3/2004 Lithgow et al. .... D24/110  
D493,520 S \* 7/2004 Bertinetti et al. .... D24/110  
D493,884 S \* 8/2004 Virr et al. .... D24/110  
D497,203 S \* 10/2004 Lithgow et al. .... D24/110  
D503,796 S \* 4/2005 Lithgow et al. .... D24/110  
D544,598 S \* 6/2007 Lithgow et al. .... D24/110  
D560,795 S \* 1/2008 Lithgow et al. .... D24/110  
D570,473 S \* 6/2008 Hamaguchi et al. .... D24/110  
D585,131 S \* 1/2009 Trevor-Wilson et al. .... D24/110  
D585,540 S \* 1/2009 Lithgow et al. .... D24/110  
D602,585 S \* 10/2009 Blackwell et al. .... D24/110  
2007/0023045 A1 \* 2/2007 Kwok et al. .... 128/204.23  
2008/0072900 A1 \* 3/2008 Kenyon et al. .... 128/204.18  
2009/0223514 A1 \* 9/2009 Smith et al. .... 128/203.14  
2011/0017212 A1 \* 1/2011 Kenyon et al. .... 128/203.26  
2011/0023877 A1 \* 2/2011 Kenyon et al. .... 128/203.26

**FOREIGN PATENT DOCUMENTS**

WO WO 2007/045017 4/2007

\* cited by examiner

*Primary Examiner* — Wan Laymon

(74) *Attorney, Agent, or Firm* — Nixon & Vanderhye P.C.

(57) **CLAIM**

The ornamental design for a positive airway pressure delivery device, as shown and described.

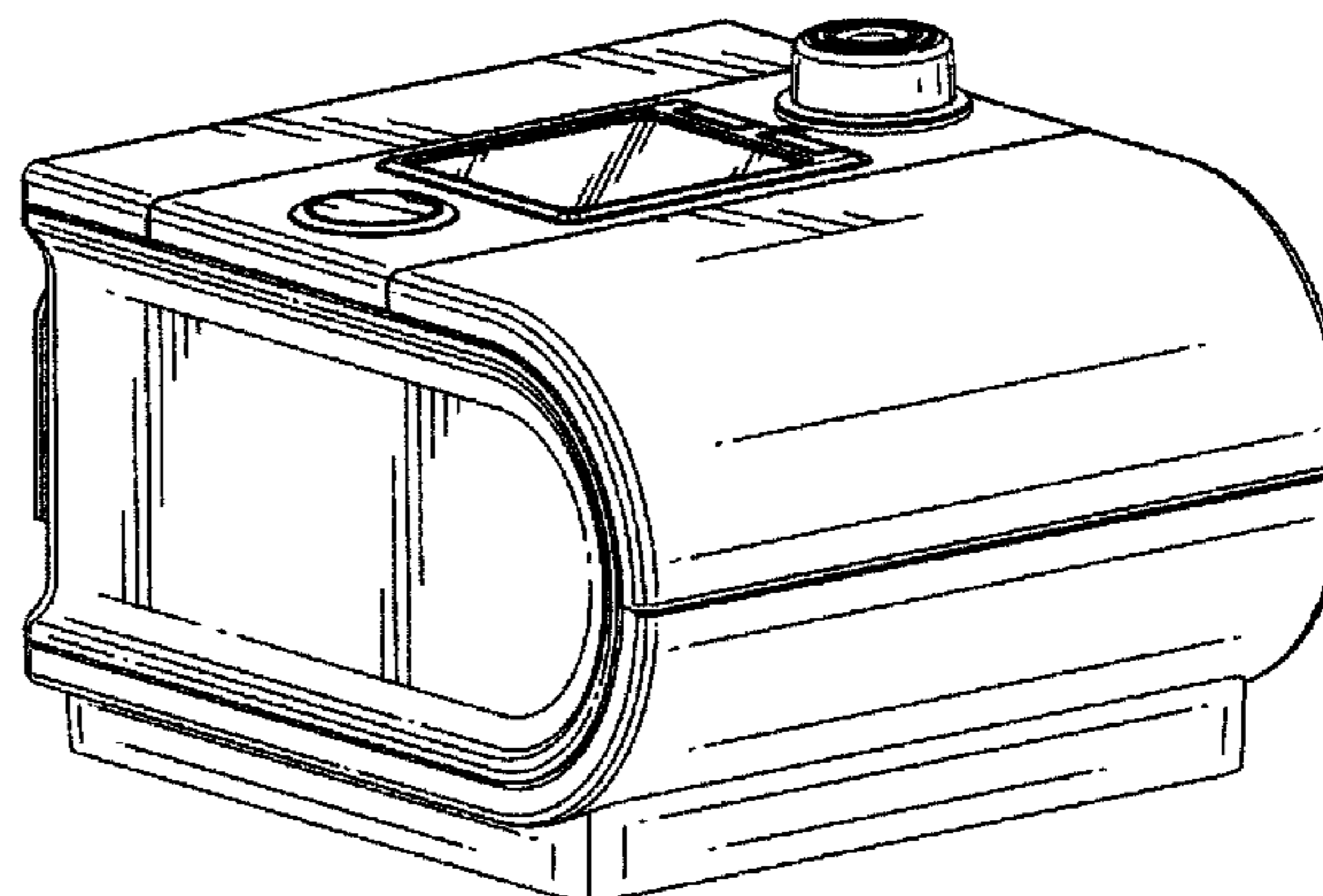
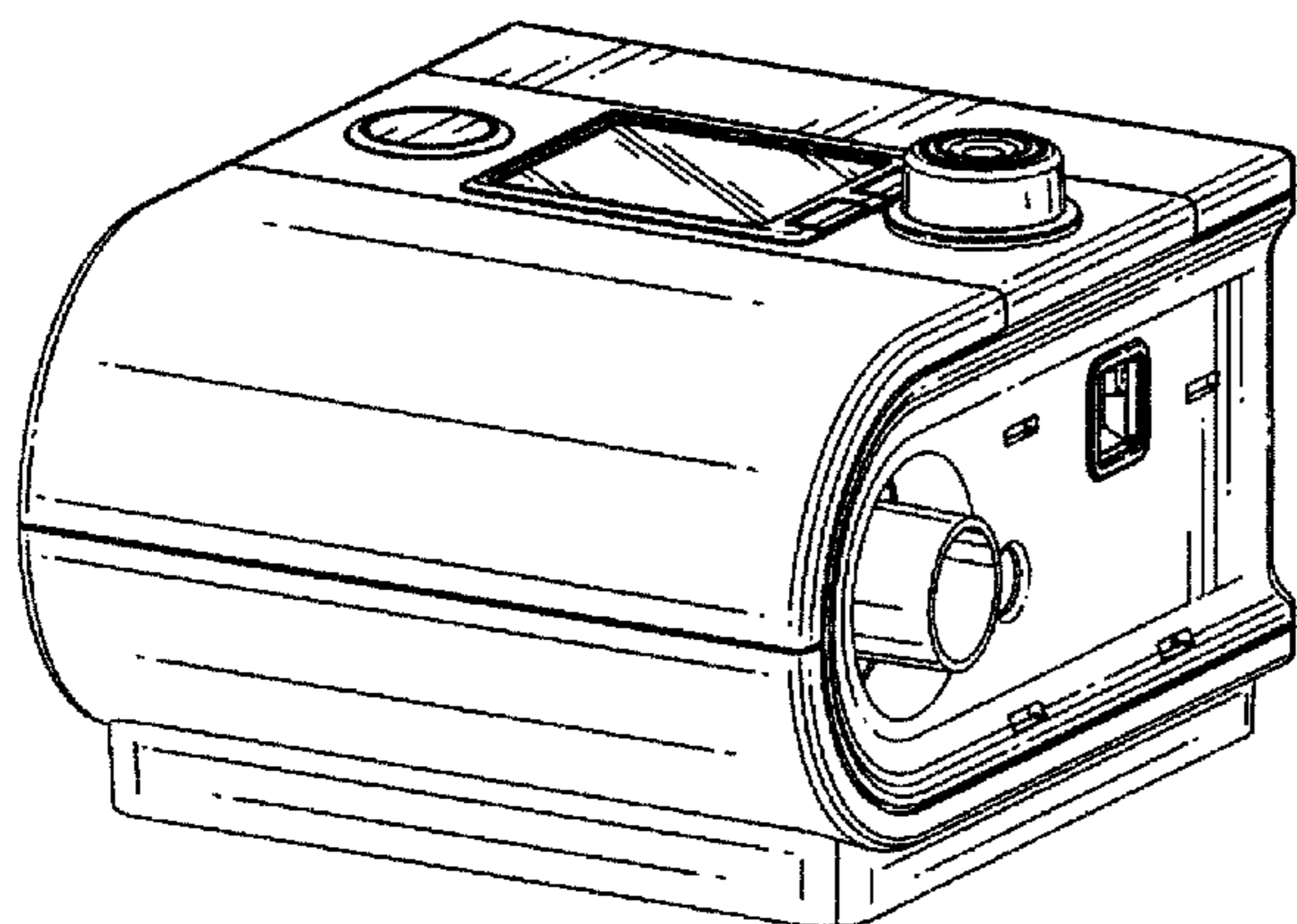
**DESCRIPTION**

FIG. 1 is a perspective view of a positive airway pressure delivery device according to our new ornamental design; FIG. 2 is a reverse perspective view thereof; FIG. 3 is a front view thereof; FIG. 4 is a rear view thereof; FIG. 5 is a top view thereof; FIG. 6 is a right side view thereof; and, FIG. 7 is a left side view thereof.

The omission of the bottom view is intended to convey that the element(s) depicted is/are plain and unornamented in that omitted view, or that the particular ornamental appearance in that view is simply not claimed.

The broken lines shown in the figures represent portions of the positive airway pressure delivery device that form no part of the claimed design.

**1 Claim, 7 Drawing Sheets**





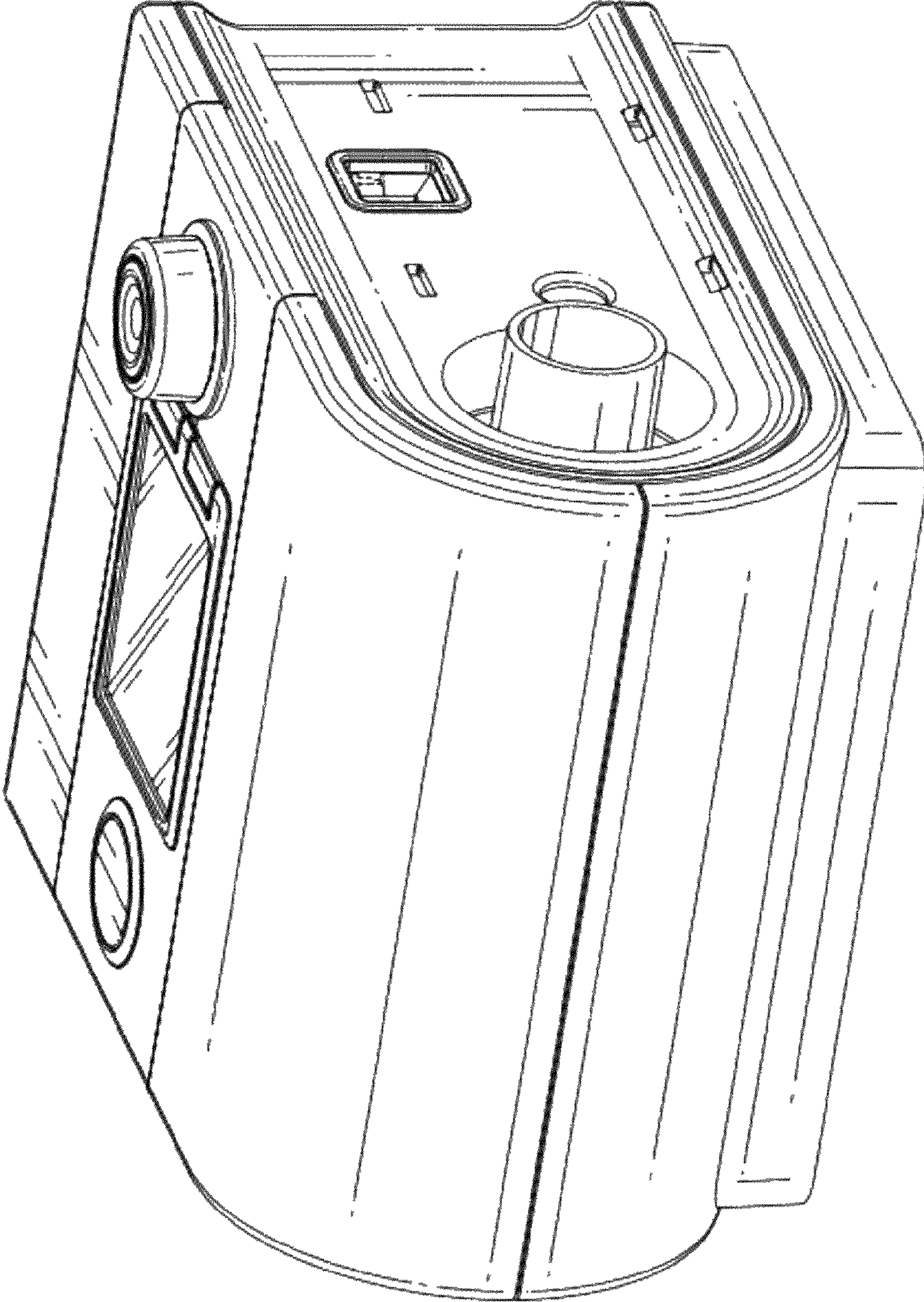


Fig. 1

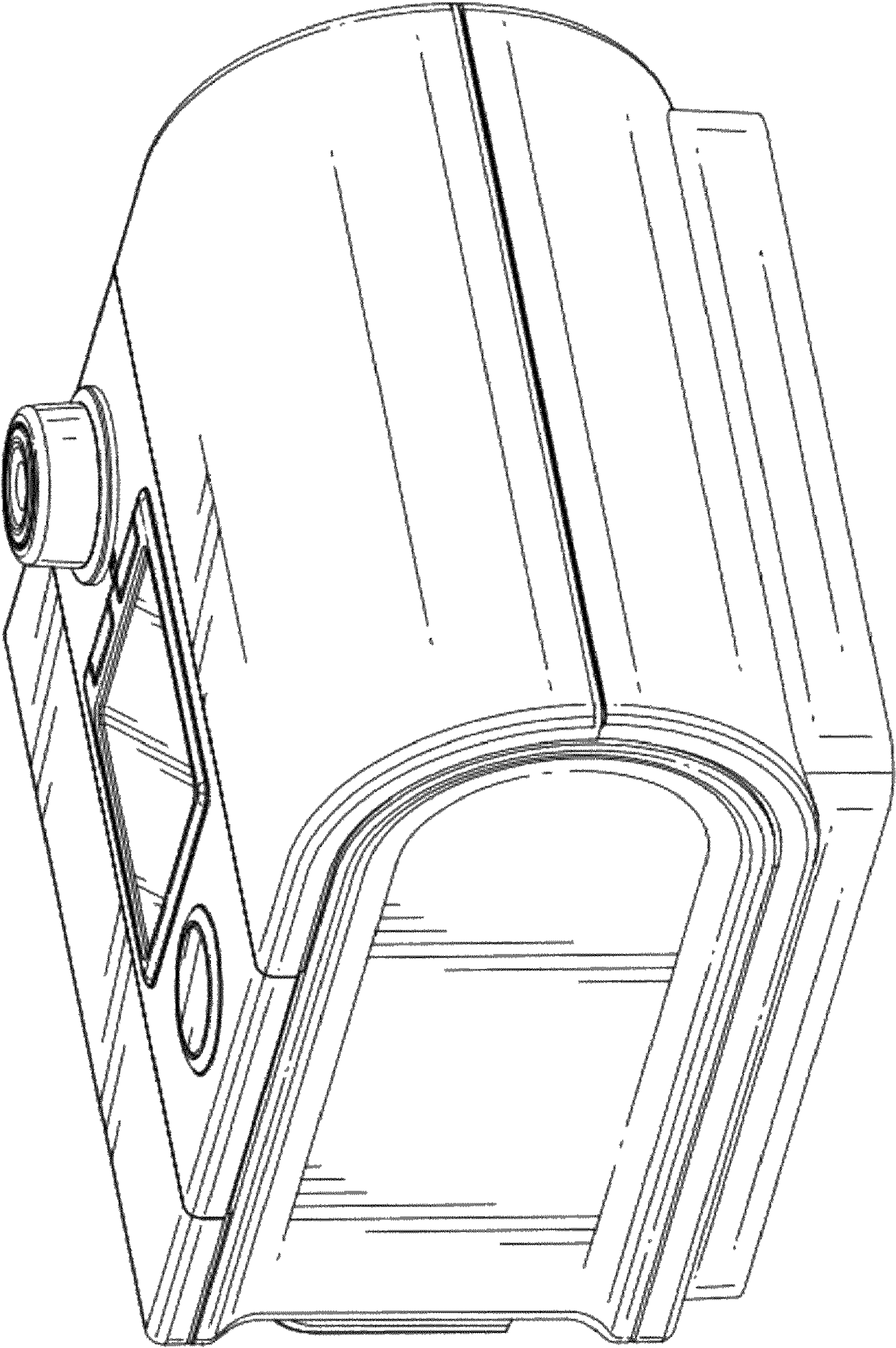


Fig. 2



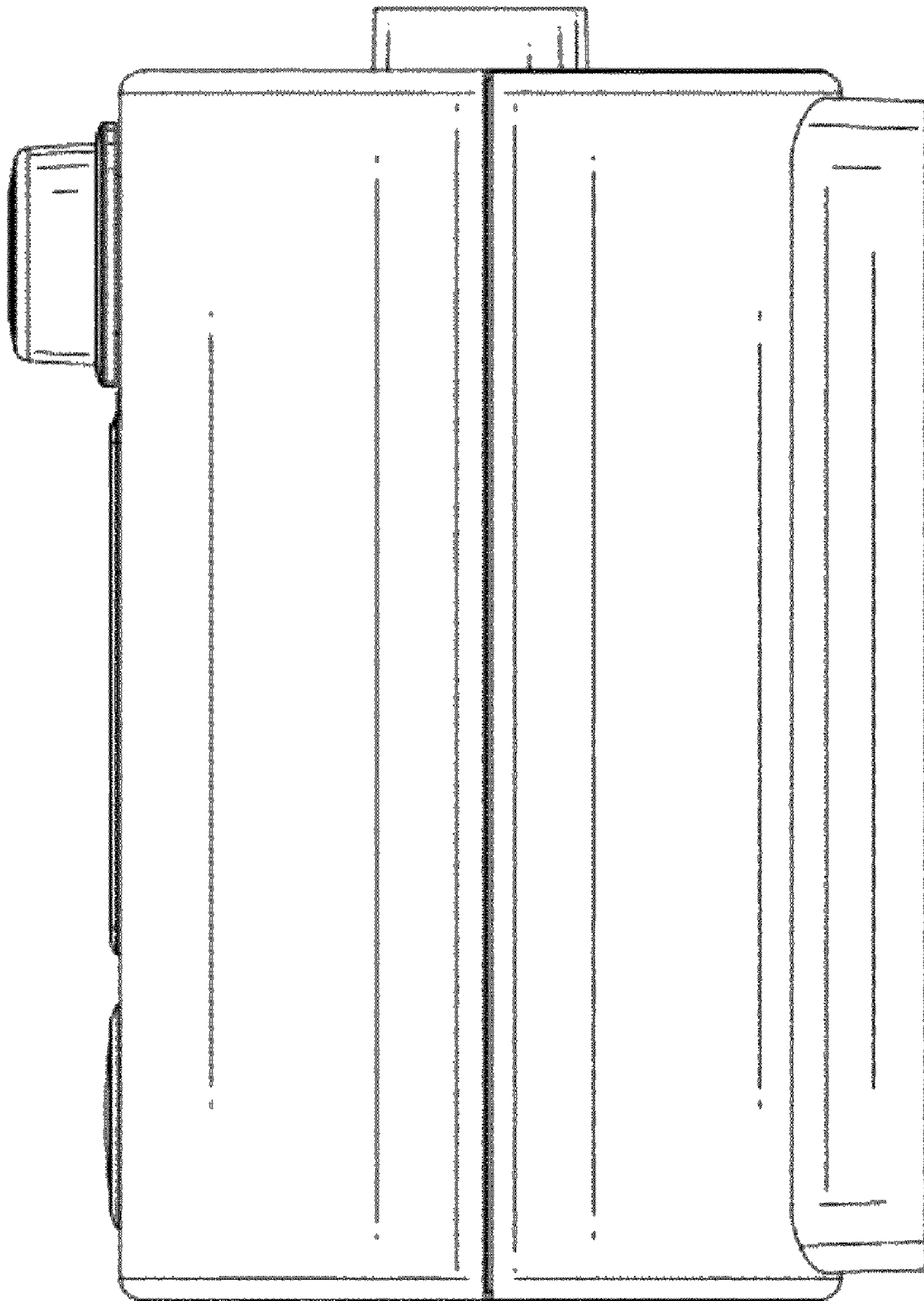


Fig. 3

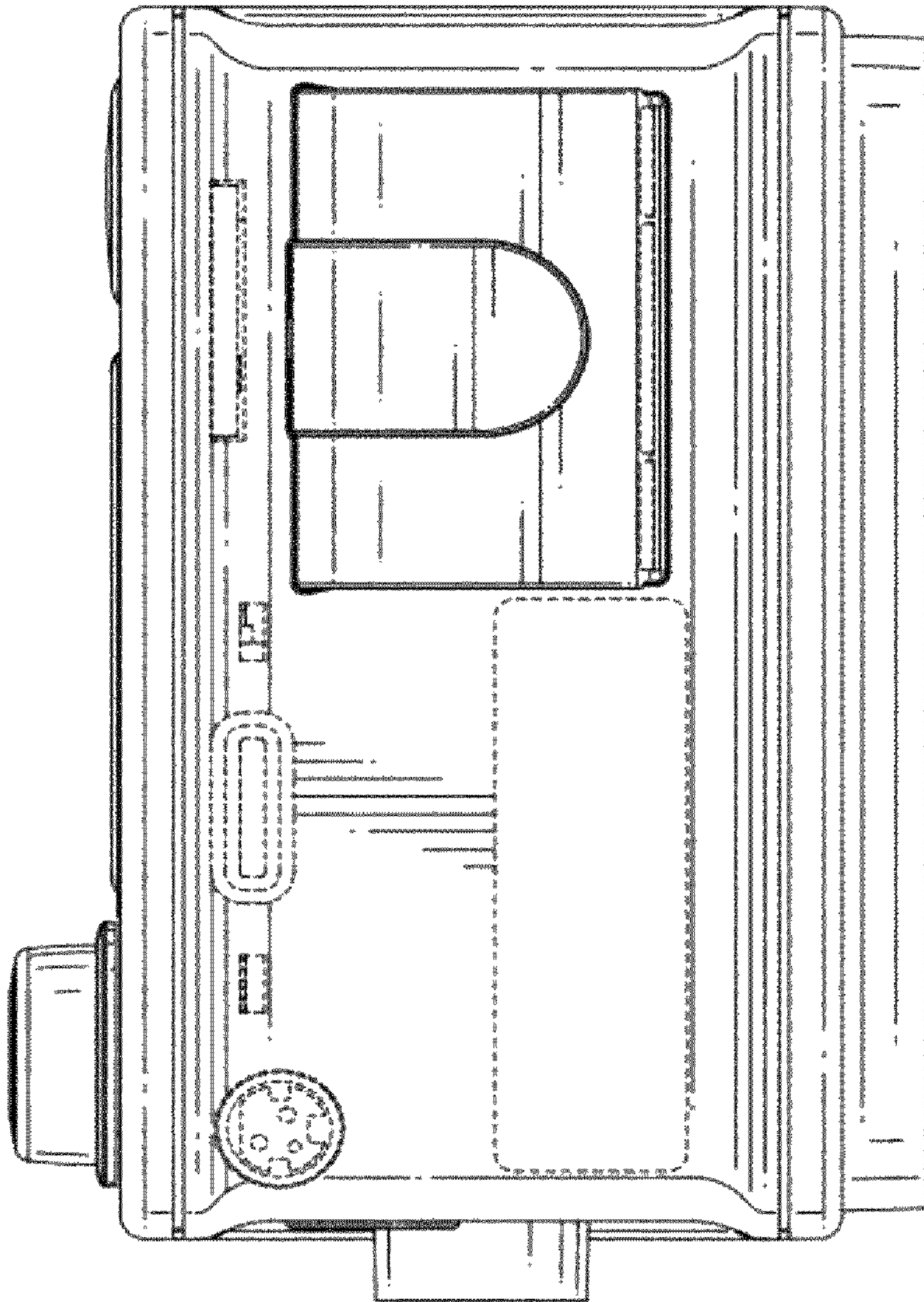


Fig. 4



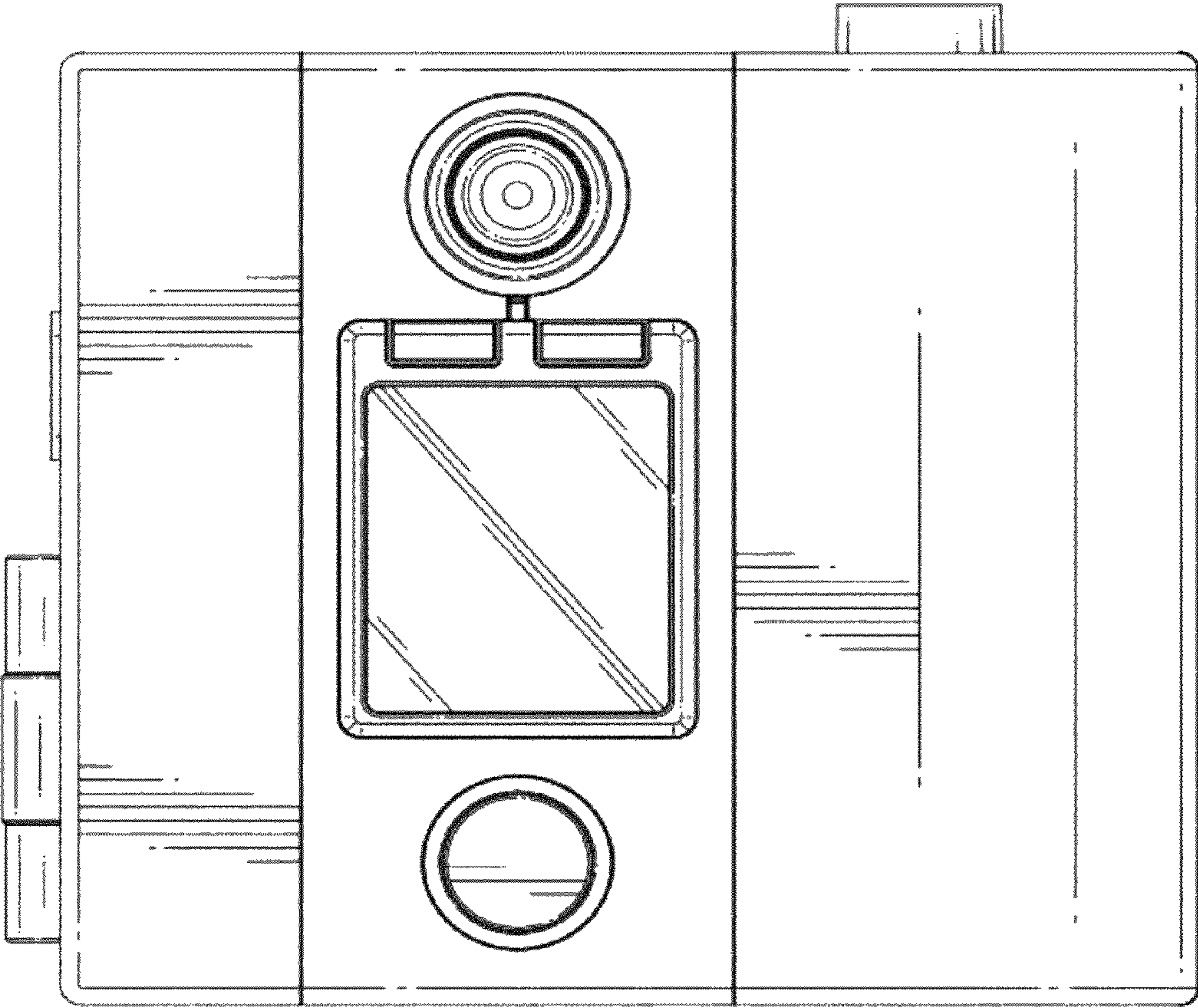


Fig. 5

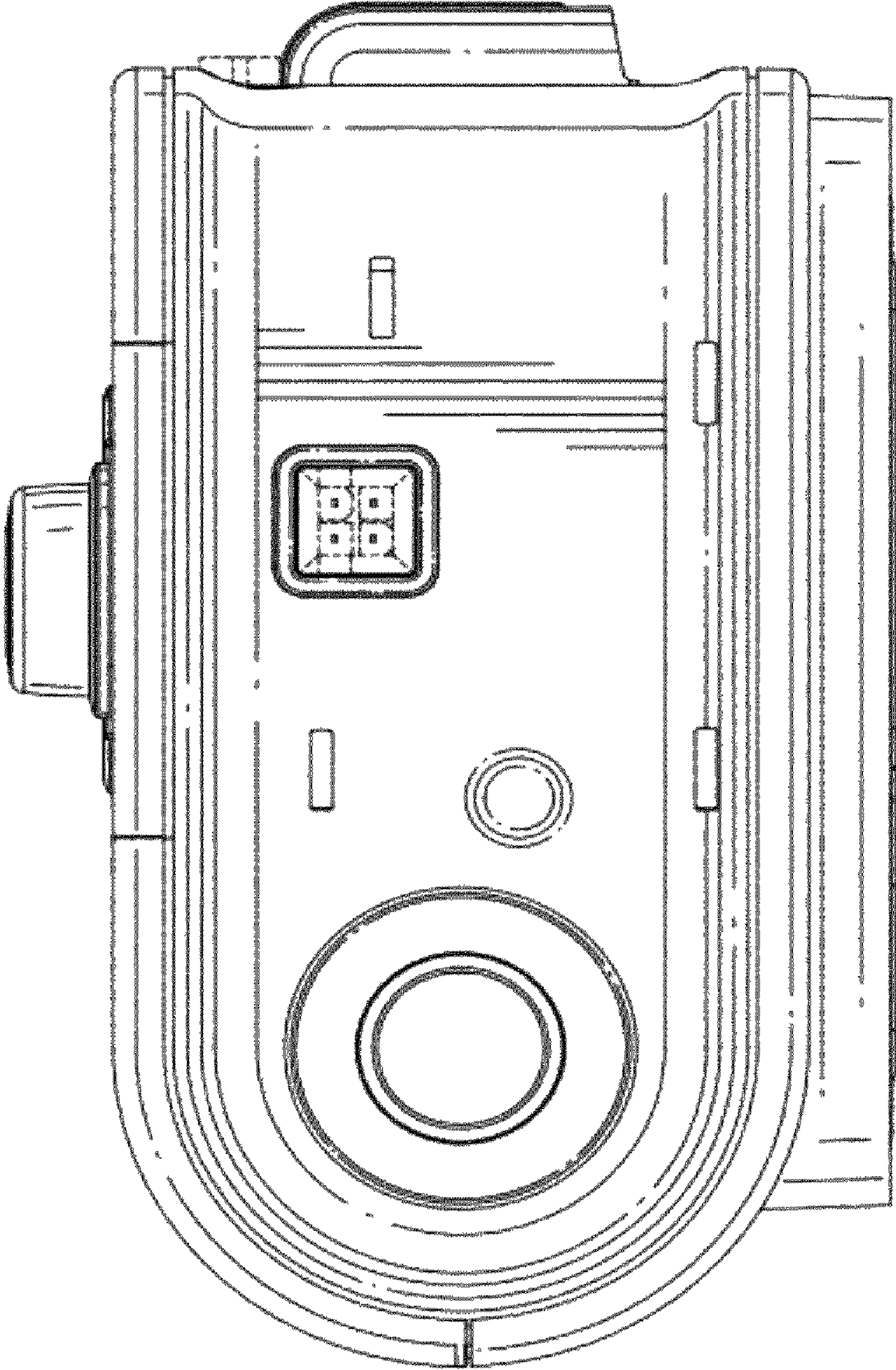


Fig. 6



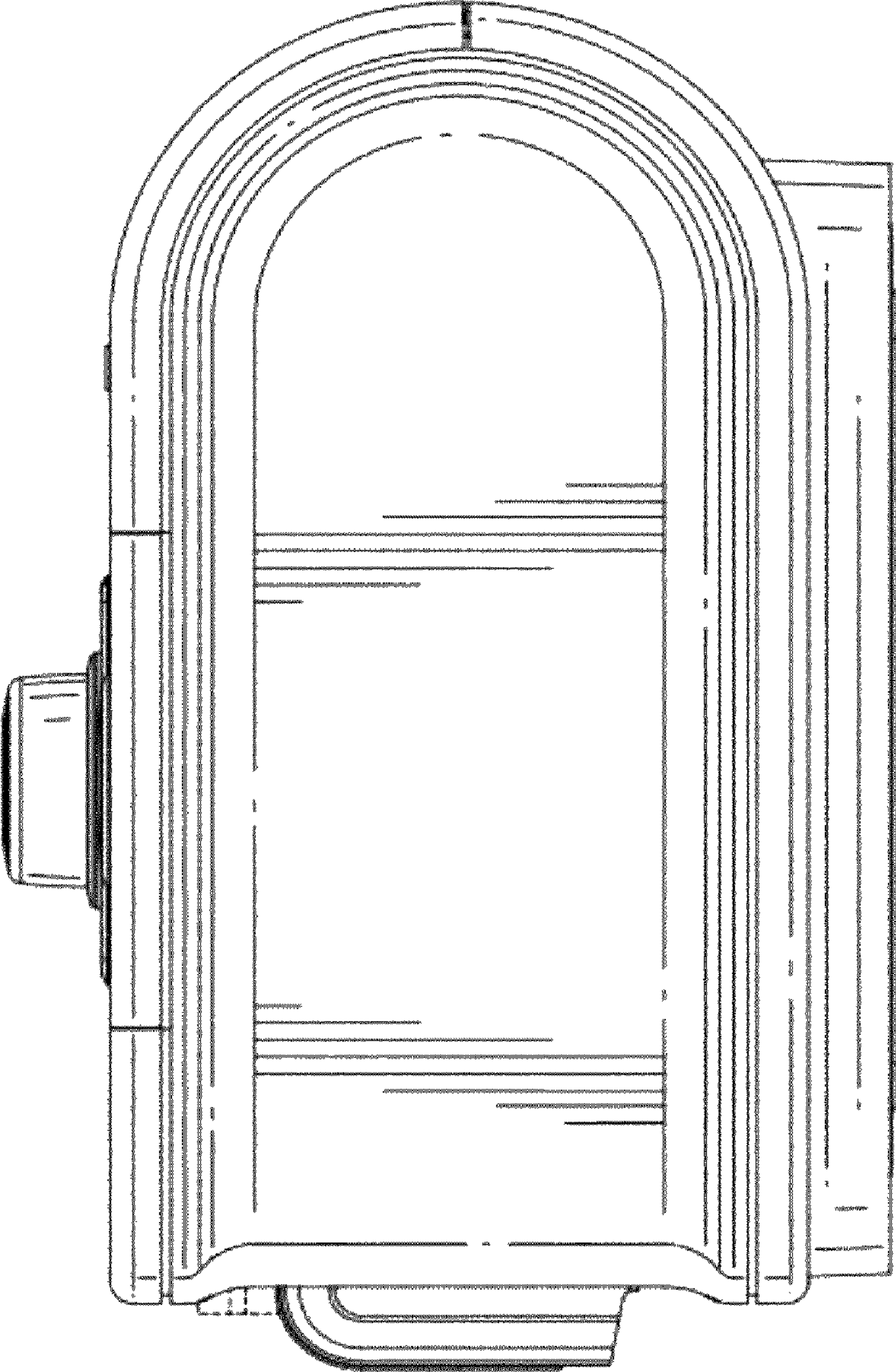


Fig. 7