



US00D659233S

(12) **United States Design Patent**
Litzenberger

(10) **Patent No.:** **US D659,233 S**

(45) **Date of Patent:** **** May 8, 2012**

(54) **CAMPFIRE CHIMNEY**

(76) **Inventor:** **Brad Litzenberger, Chilliwack (CA)**

(**) **Term:** **14 Years**

(21) **Appl. No.:** **29/377,367**

(22) **Filed:** **Oct. 20, 2010**

(51) **LOC (9) Cl.** **23-03**

(52) **U.S. Cl.** **D23/403**

(58) **Field of Classification Search** D23/403-410,
D23/415-422, 499, 342-350; D7/402, 407,
D7/408, 416, 417; 40/798; 44/520, 530;
52/36.3; 126/25 B, 298, 500, 512, 540, 543,
126/544, 548, 555

See application file for complete search history.

(56) **References Cited**

U.S. PATENT DOCUMENTS

D179,953	S	*	3/1957	Rich et al.	D23/343
D212,268	S	*	9/1968	Williams	D7/332
3,768,457	A	*	10/1973	Beasey	126/550
3,777,735	A	*	12/1973	Miller	126/519

3,910,251	A	*	10/1975	Andrew	126/515
D243,092	S	*	1/1977	Sheth	D23/348
4,112,913	A	*	9/1978	Shimek et al.	126/519
4,194,494	A	*	3/1980	Wagner	126/319
4,724,753	A	*	2/1988	Neyman et al.	99/339
4,897,524	A	*	1/1990	Brasell	392/348
5,673,682	A	*	10/1997	Hannebaum	126/519
6,776,084	B2	*	8/2004	Wild	99/339

* cited by examiner

Primary Examiner — Karen S Acker

(74) *Attorney, Agent, or Firm* — Gordon Thomson

(57) **CLAIM**

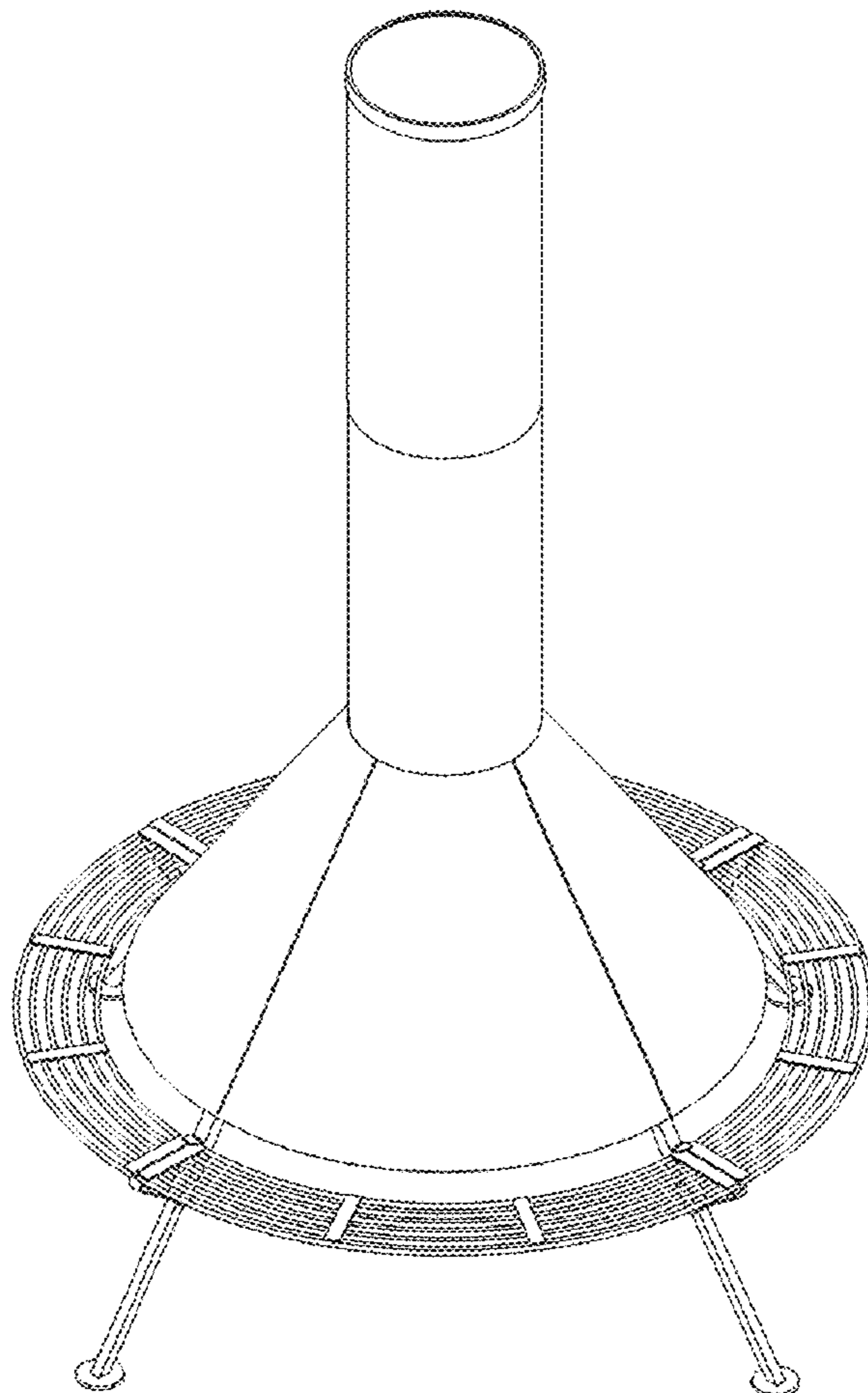
The ornamental design for a campfire chimney, as shown and described.

DESCRIPTION

FIG. ONE is a side view of the campfire chimney.
FIG. TWO is a top view of the campfire chimney; and,
FIG. THREE is a side perspective view of the campfire chimney.

The design is intended to be used for an outdoor campfire chimney for placement over an open fire.

1 Claim, 3 Drawing Sheets



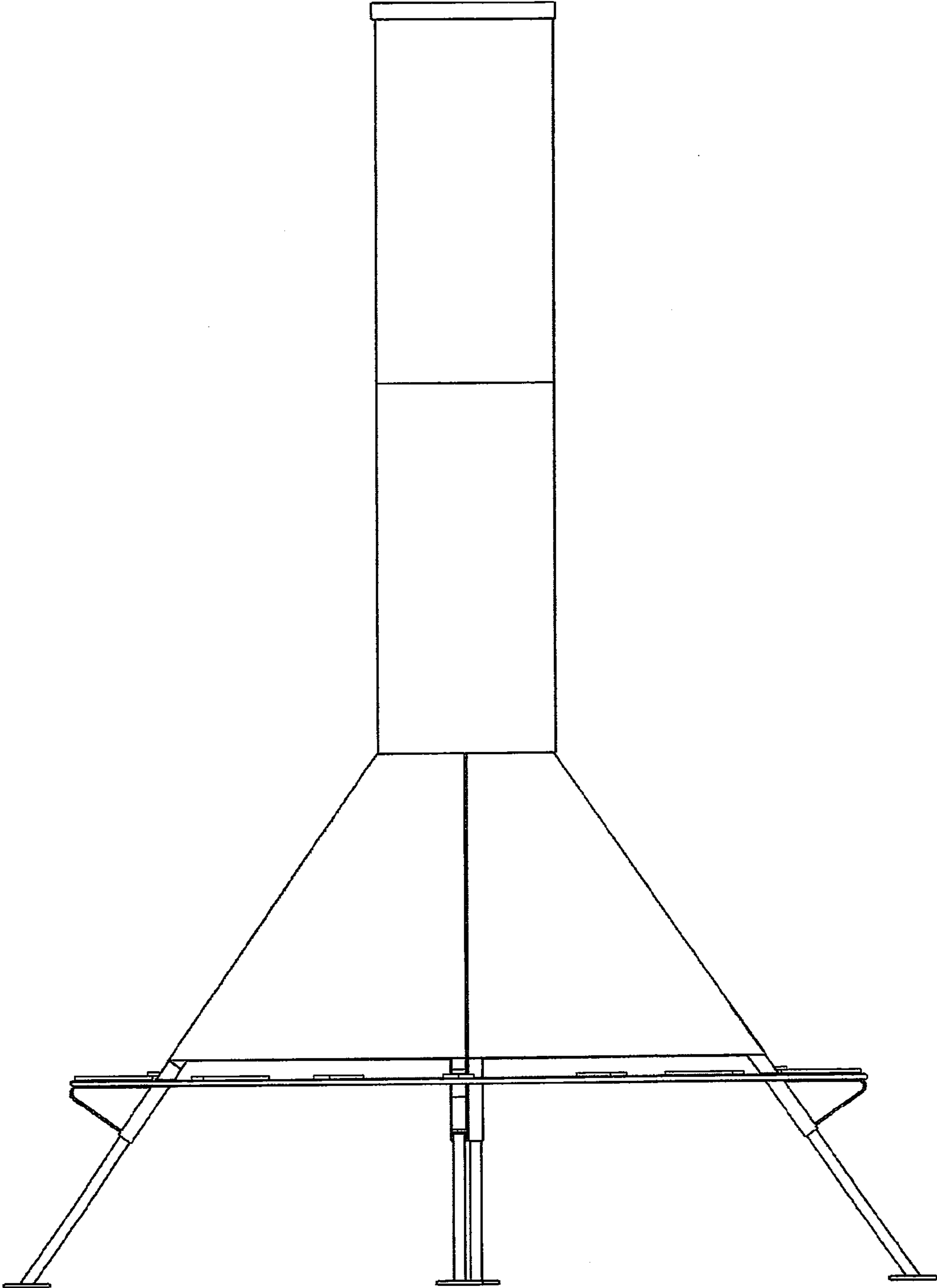


Figure 1

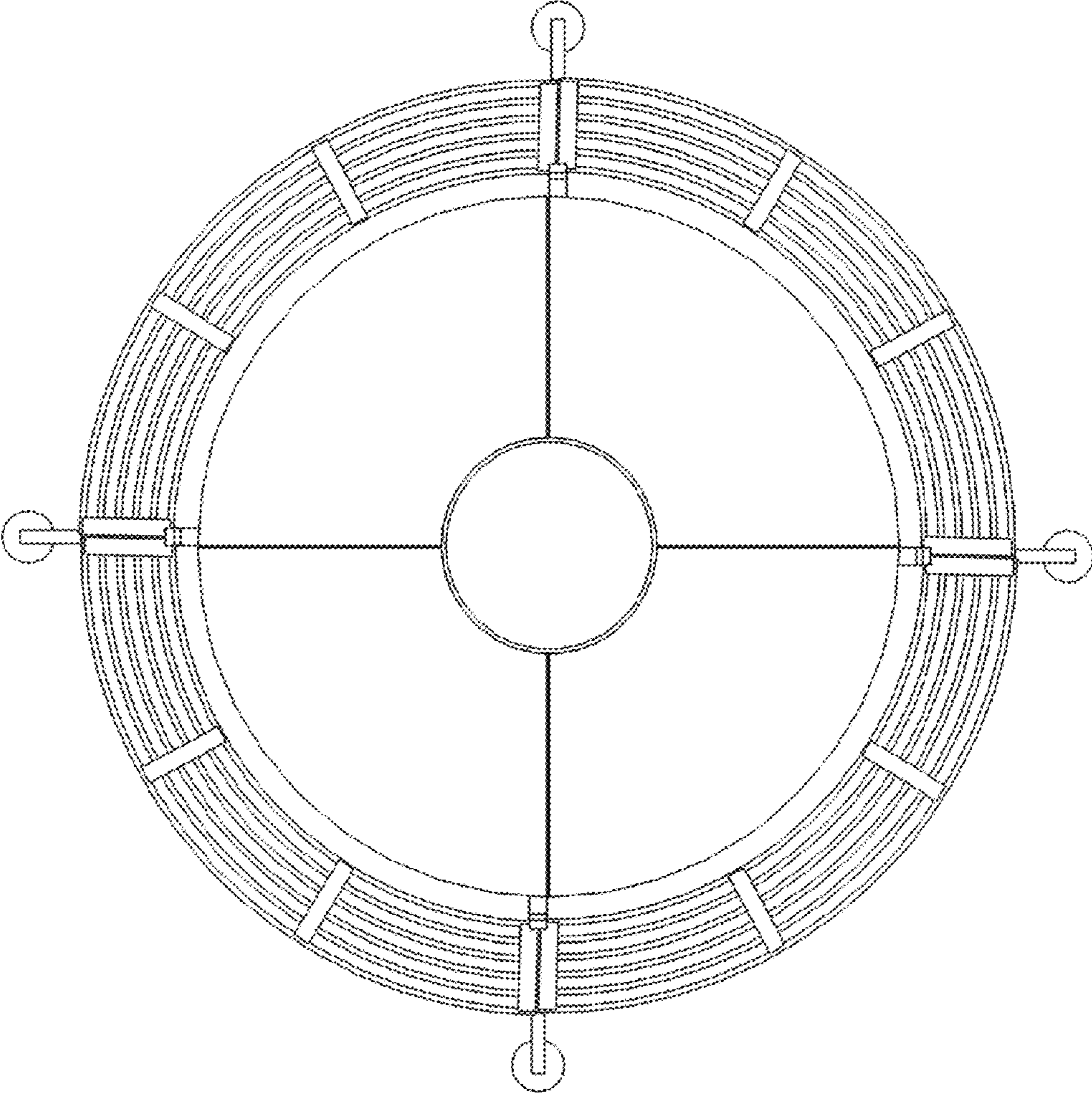


Figure 2

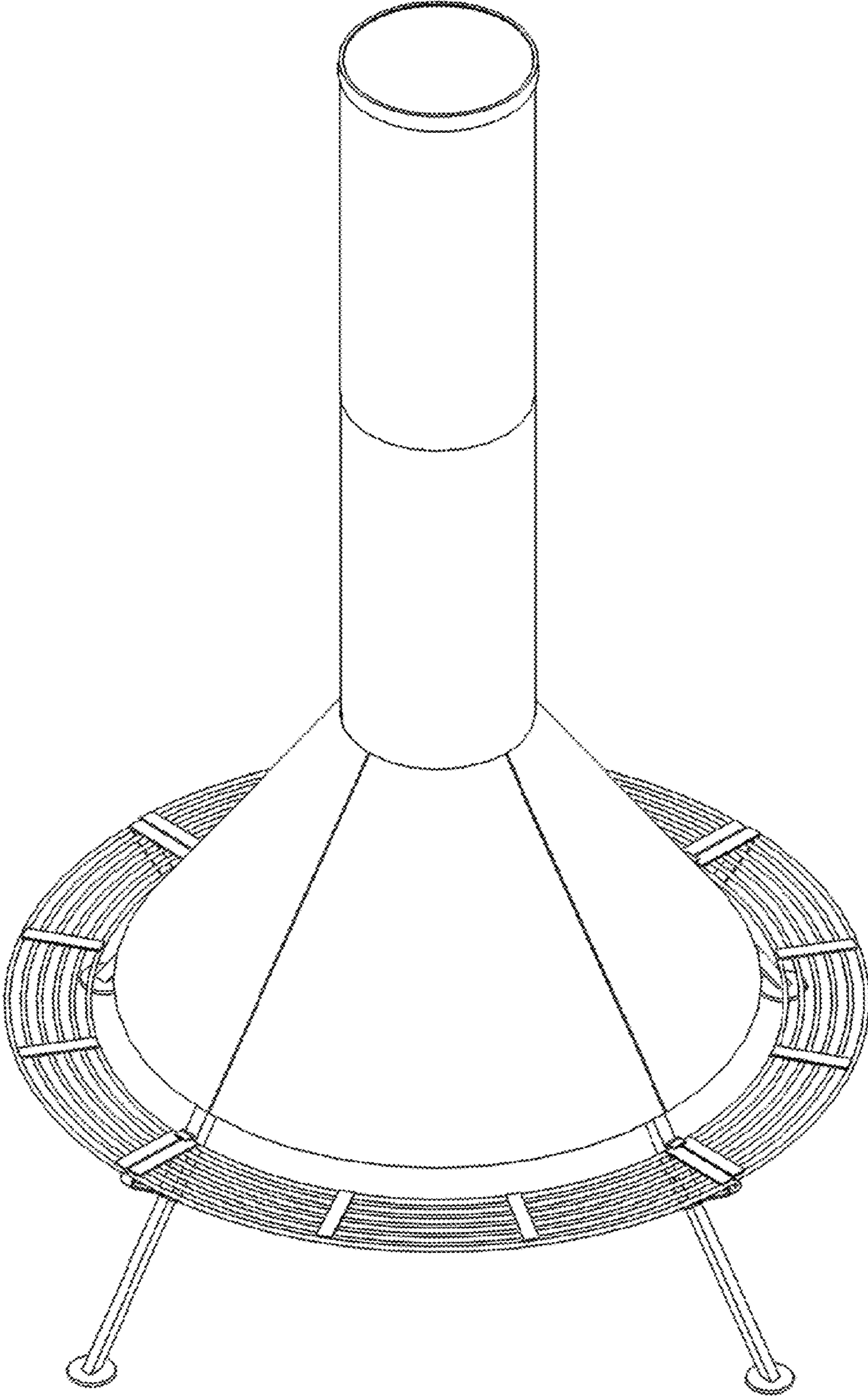


Figure 3