



US00D659232S

(12) **United States Design Patent**
Funnell, II

(10) **Patent No.:** **US D659,232 S**

(45) **Date of Patent:** **** May 8, 2012**

(54) **HOOD**

(75) Inventor: **Richard W. Funnell, II**, Huntington Beach, CA (US)

(73) Assignee: **BSH Home Appliances Corporation**, Irvine, CA (US)

(**) Term: **14 Years**

(21) Appl. No.: **29/355,314**

(22) Filed: **Feb. 5, 2010**

(51) **LOC (9) Cl.** **23-04**

(52) **U.S. Cl.** **D23/371**

(58) **Field of Classification Search** D23/370–373;
126/299 R, 299 D

See application file for complete search history.

(56) **References Cited**

U.S. PATENT DOCUMENTS

D323,707 S *	2/1992	Fay	D23/371
D329,086 S *	9/1992	Courchesne	D23/371
D332,305 S *	1/1993	Karlsson	D23/371
D349,158 S *	7/1994	Lieblein	D23/371
D360,682 S *	7/1995	Gilkison et al.	D23/371
D380,823 S *	7/1997	LaZar	D23/372
D396,277 S *	7/1998	Wallace et al.	D23/371
D464,418 S *	10/2002	Gonçalves et al.	D23/371
D604,403 S *	11/2009	Grobleben	D23/371
D604,827 S *	11/2009	Lin	D23/372

* cited by examiner

Primary Examiner — Raphael Barkai
Assistant Examiner — Randall Gholson

(74) *Attorney, Agent, or Firm* — James E. Howard; Andre Pallapies

(57) **CLAIM**
The ornamental design for a hood, as shown and described.

DESCRIPTION

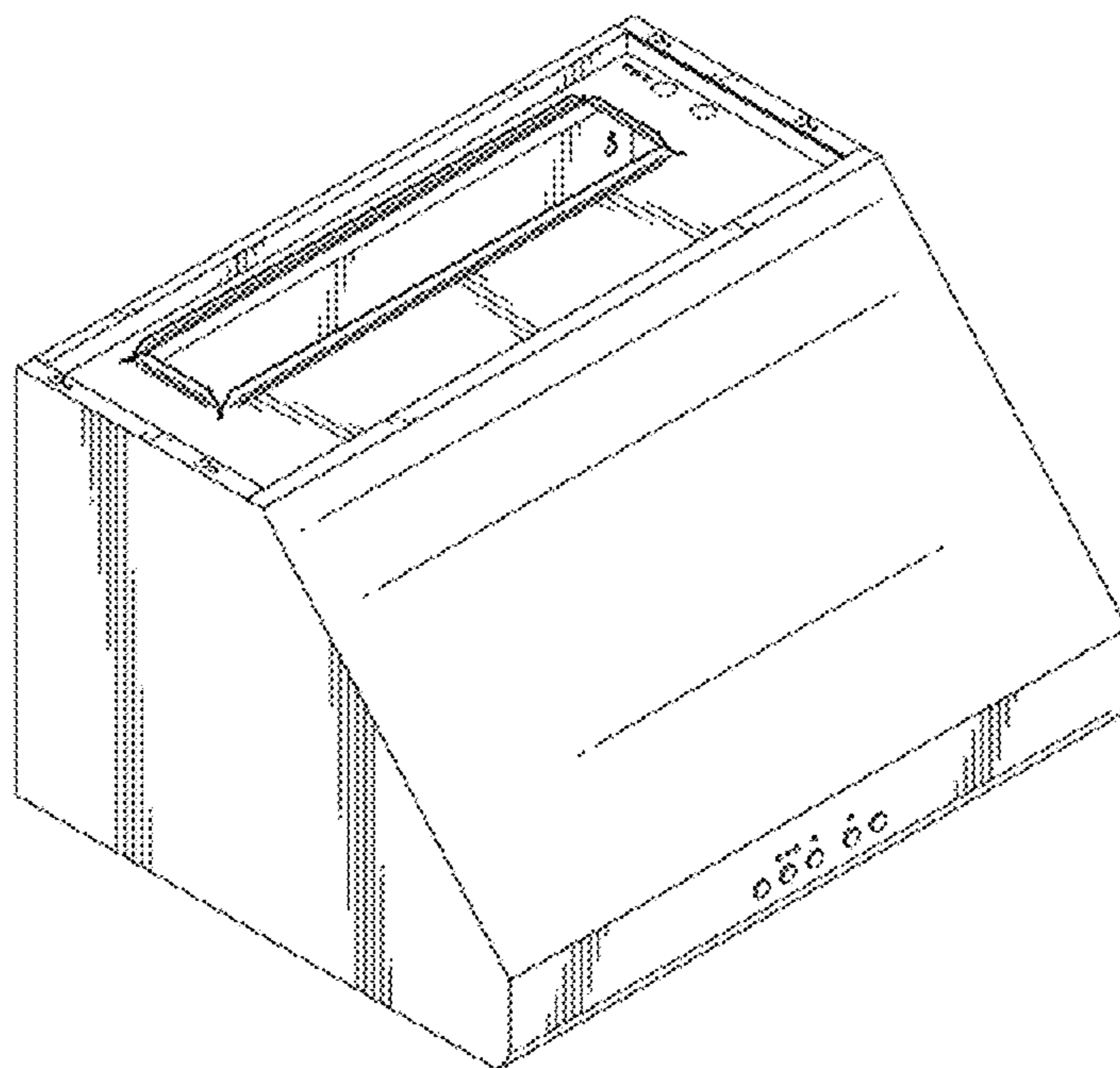
FIG. 1 is a front perspective view showing a hood according to a first embodiment of my new design;
FIG. 2 is a front view thereof;
FIG. 3 is a rear view thereof;
FIG. 4 is a top view thereof;
FIG. 5 is a bottom view thereof;
FIG. 6 is a right side view thereof with the left side view thereof being a mirror image thereof;
FIG. 7 is a bottom perspective view thereof from the front, right corner; and,
FIG. 8 is a top perspective view thereof from the rear, right corner.

Applicant specifically reserves the right to pursue portions of each of the designs disclosed herein, e.g., various portions of the hood (such as any individual component in isolation, e.g., side panel, front upper panel, control panel, etc.), various sub-portions of the components thereof and/or combinations of or the interface between components or subportions thereof.

Throughout the various figures of the drawings, certain views may not be provided. The omission of a particular view is intended to convey that the element(s) depicted is/are plain and unornamented in that omitted view, or that the particular ornamental appearance in that view is simply not claimed.

The broken lines represent environment or structure of the hood and do not form a part of the claimed design.

1 Claim, 8 Drawing Sheets



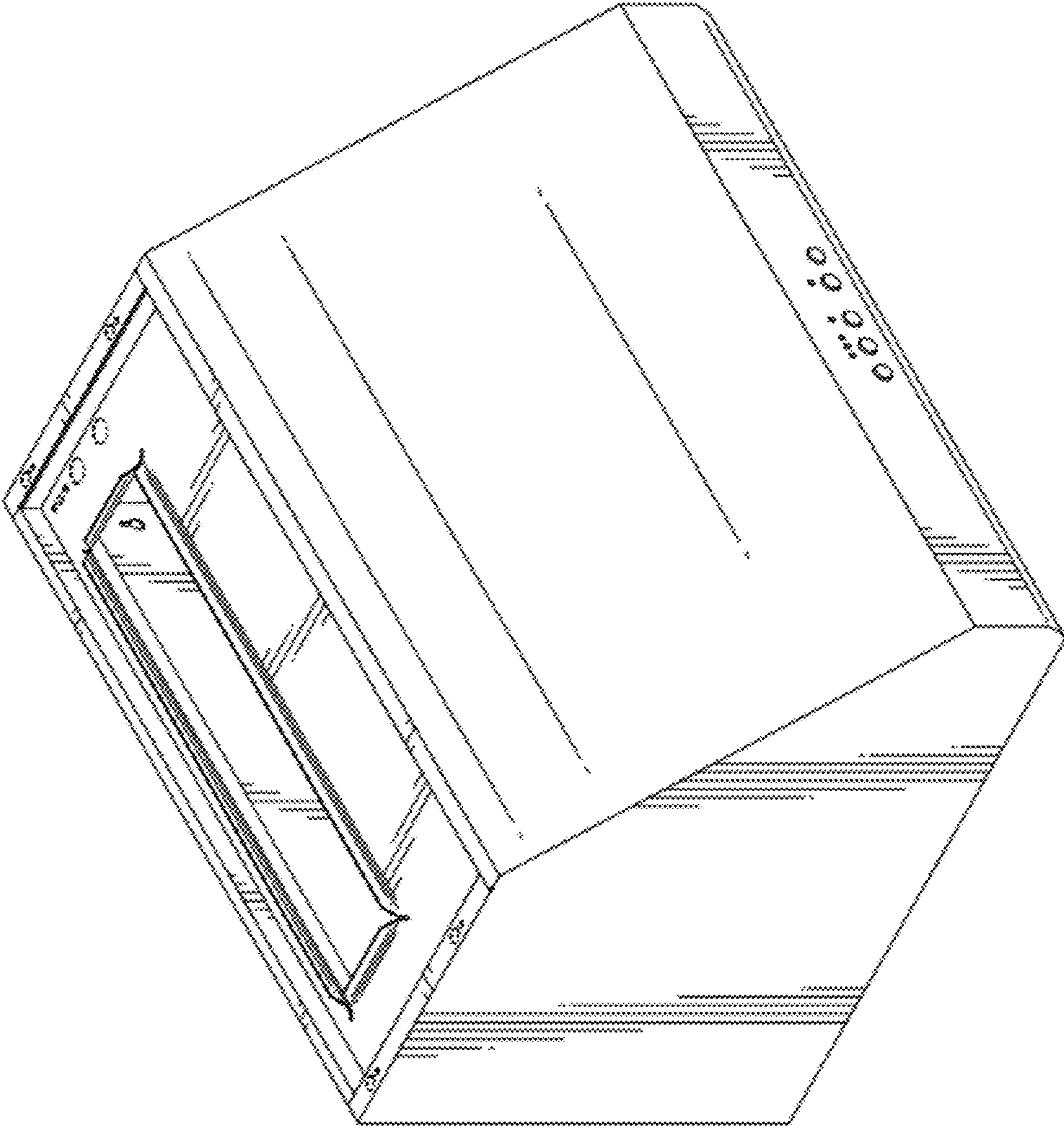


Fig. 1

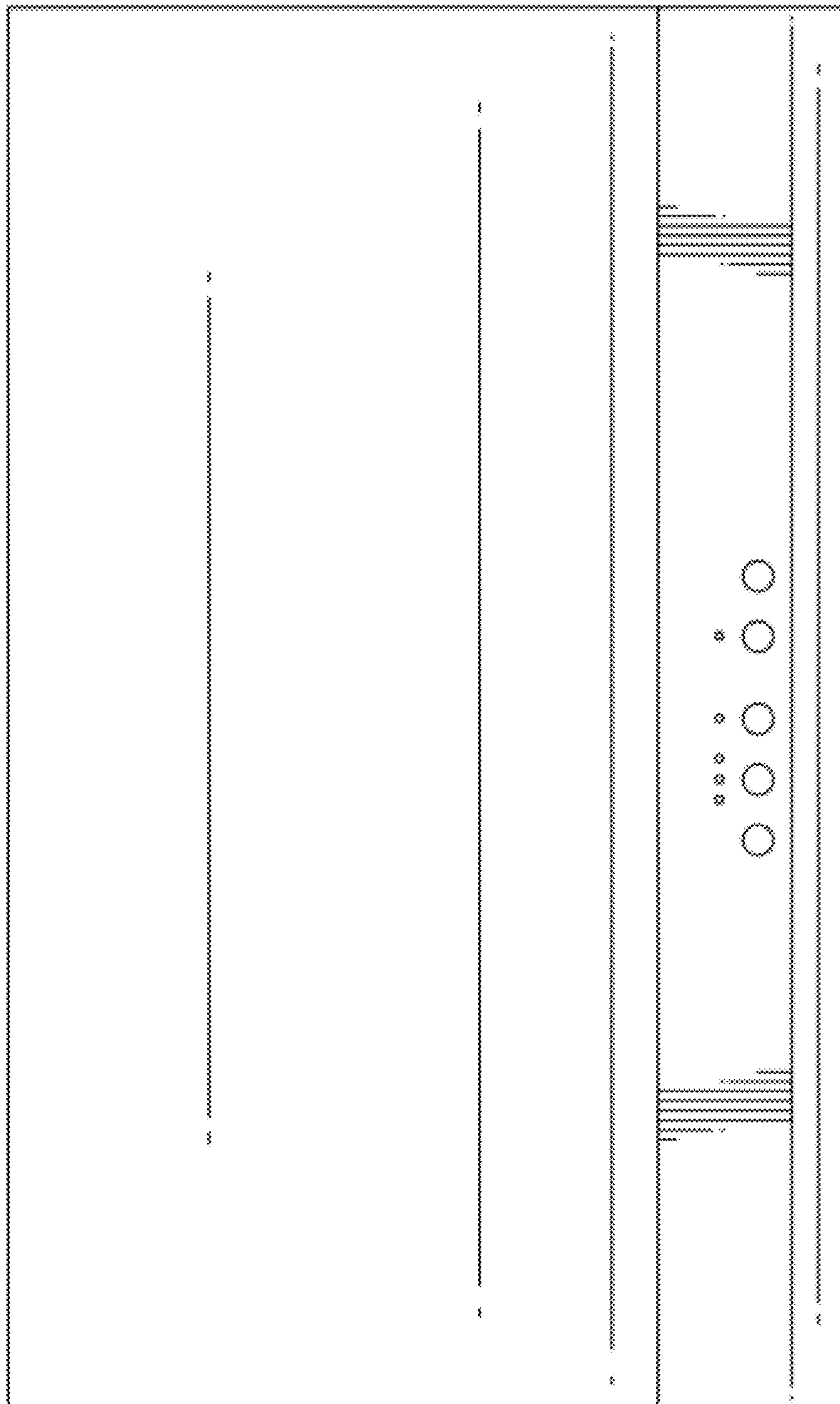


Fig. 2

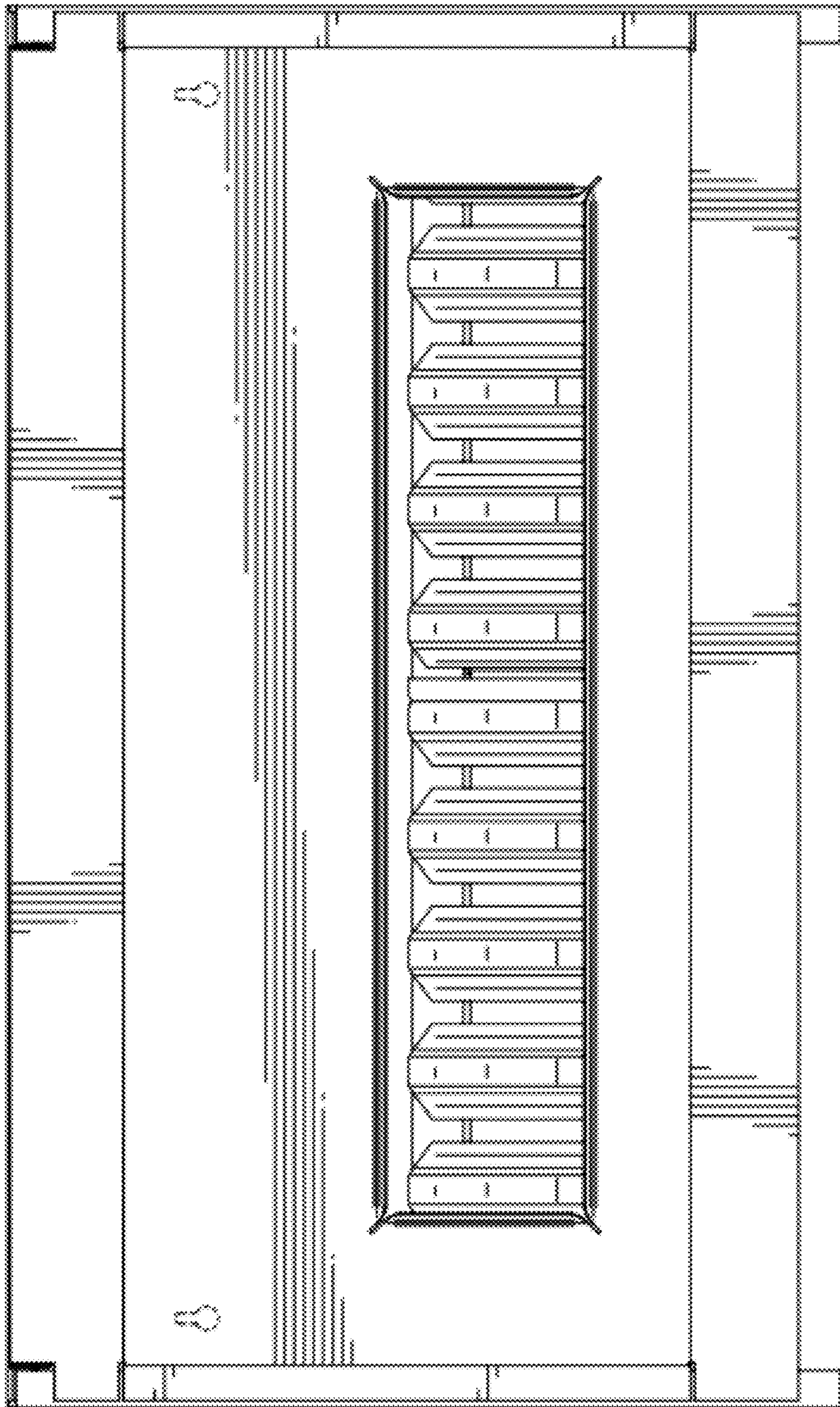


Fig. 3

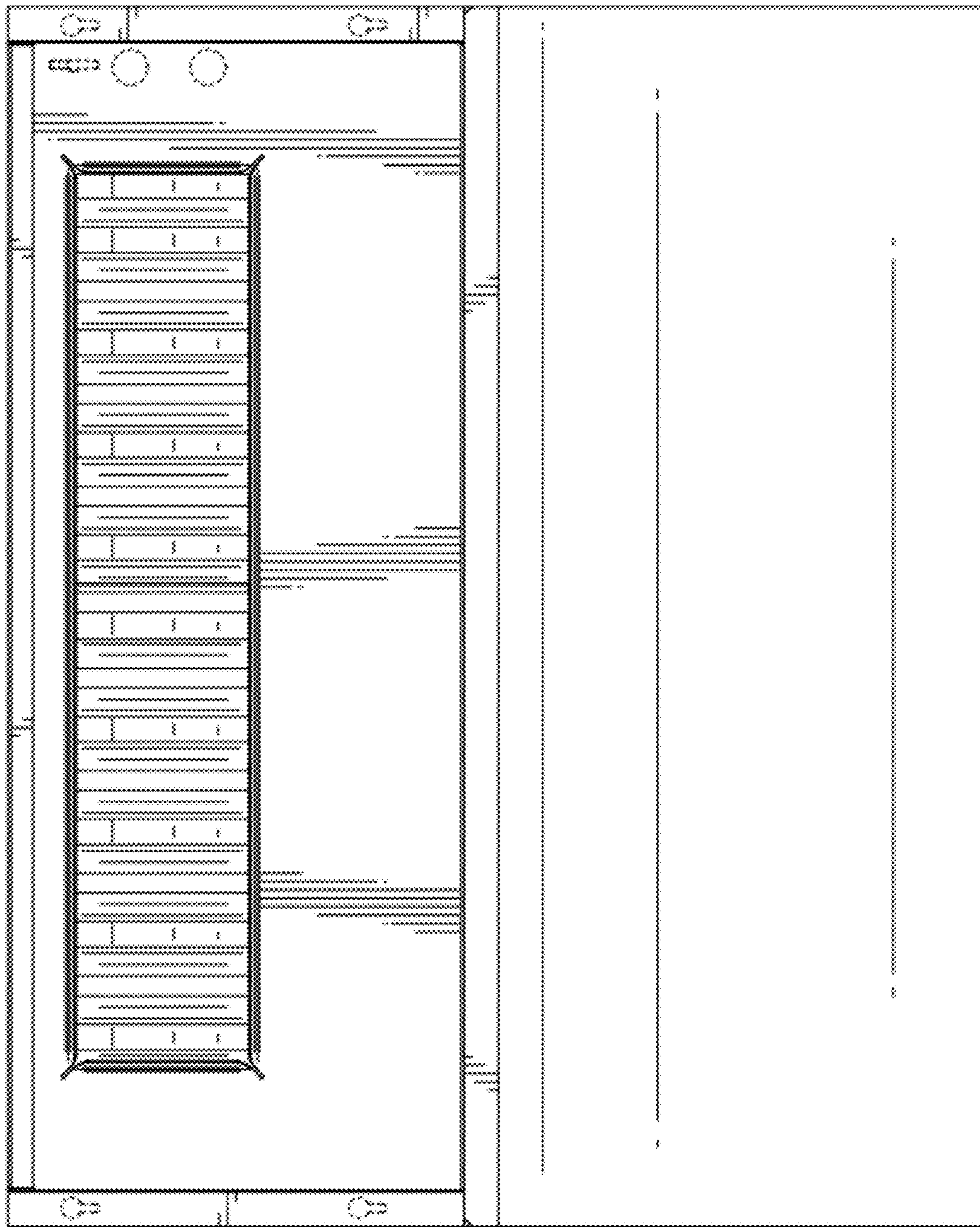


Fig. 4

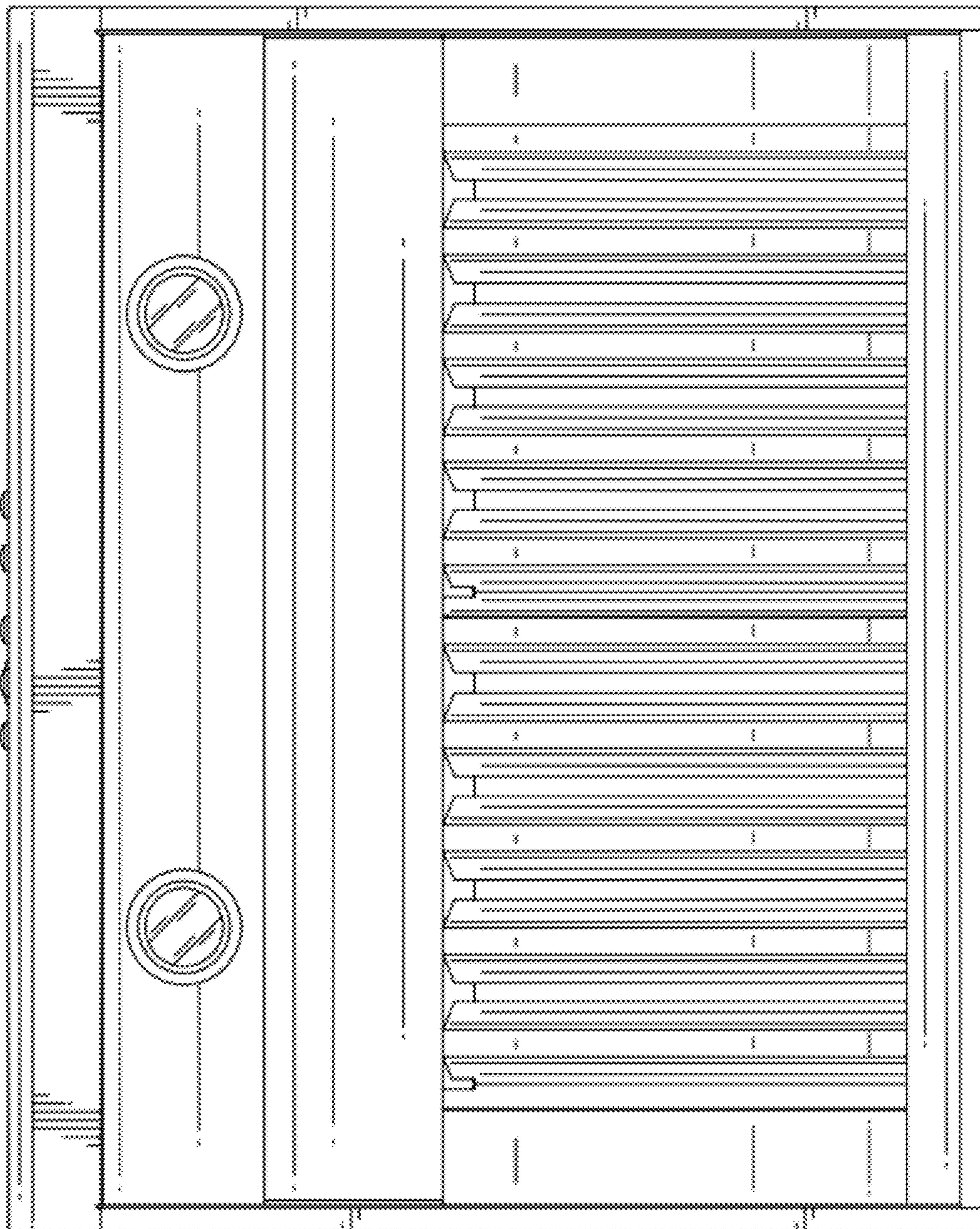


Fig. 5

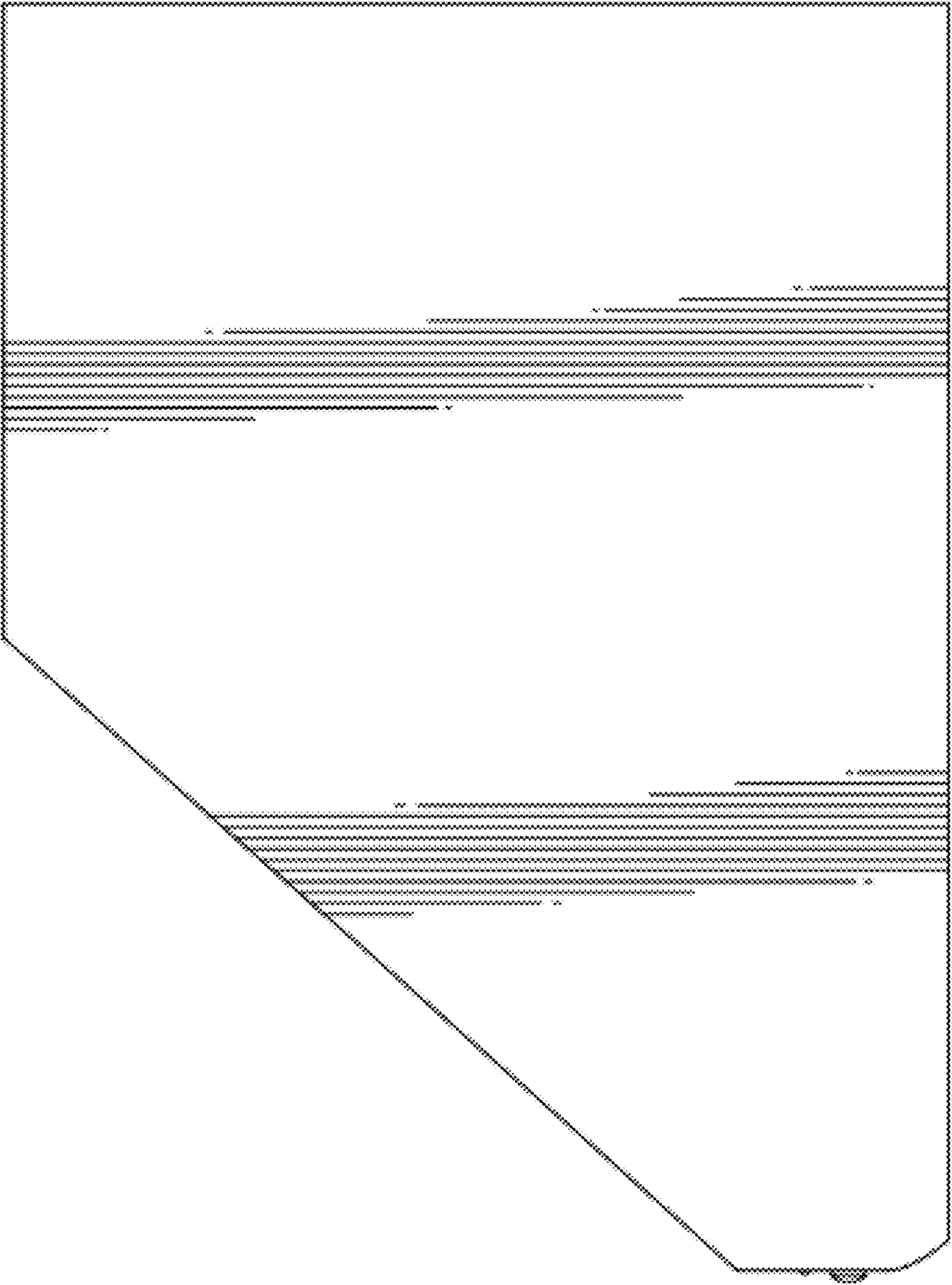


Fig. 6

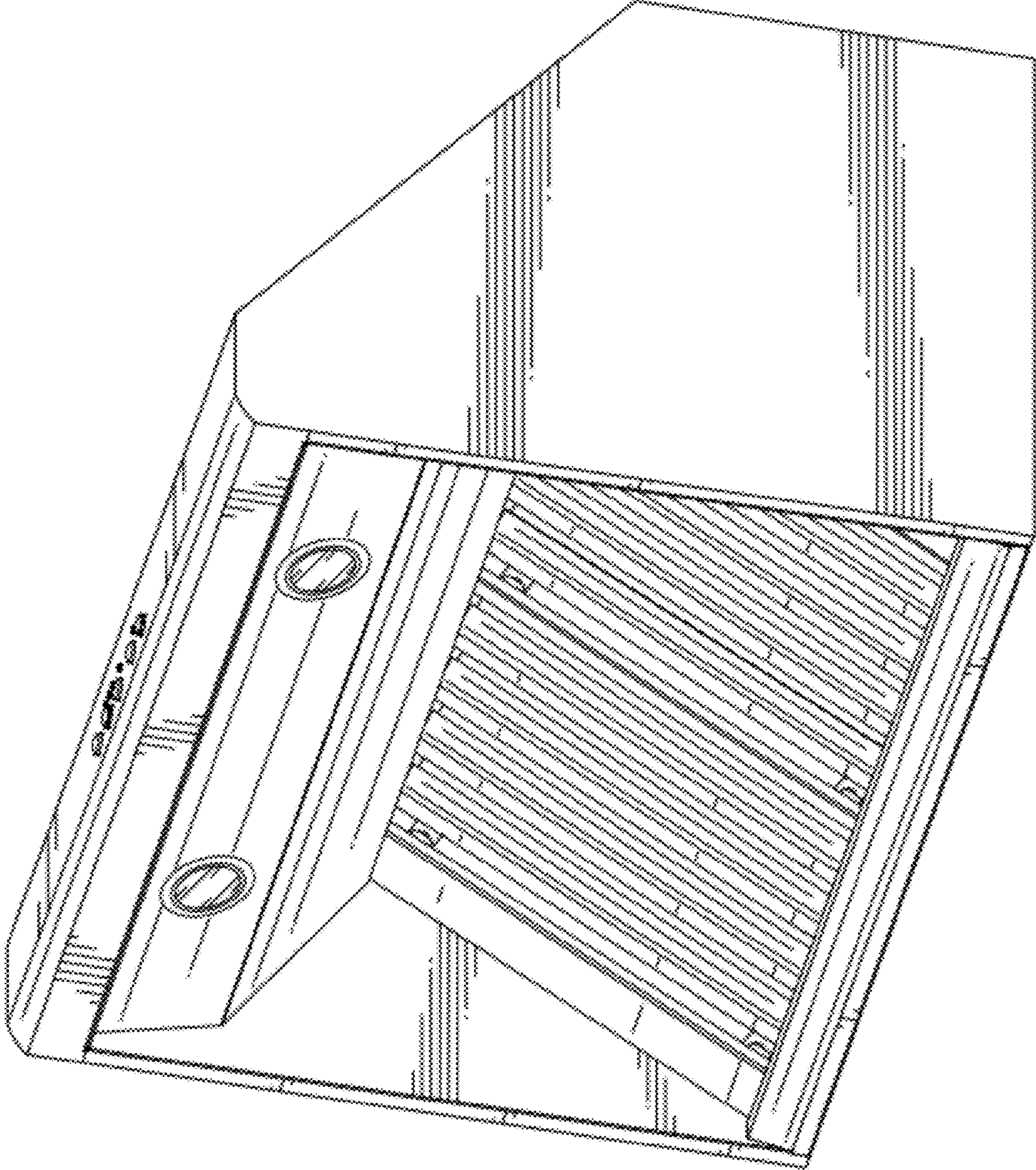


Fig. 7

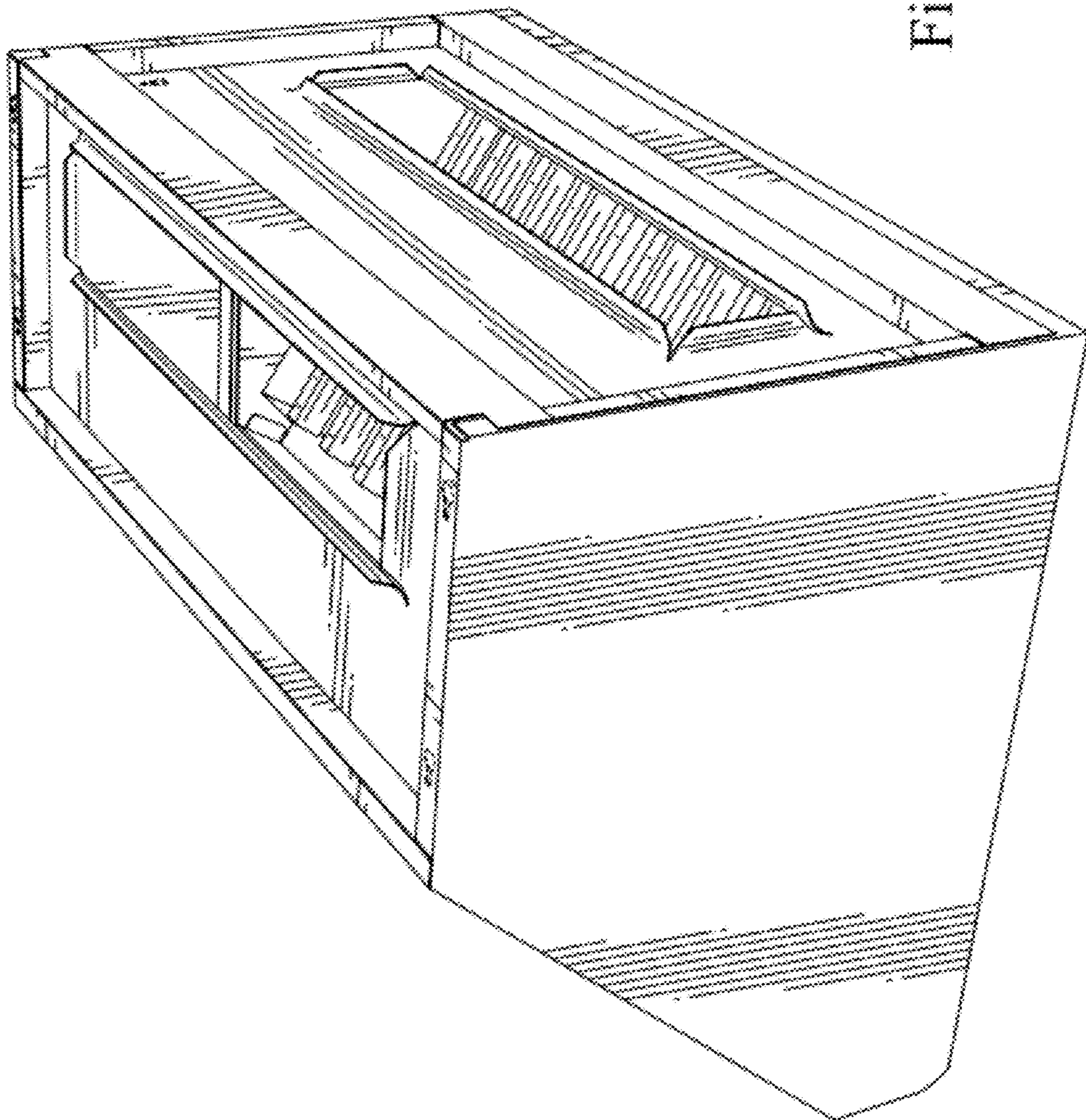


Fig. 8