



US00D659231S

(12) **United States Design Patent**
Ueda et al.

(10) **Patent No.:** **US D659,231 S**
(45) **Date of Patent:** **** May 8, 2012**

(54) **HEAT TREAT FURNACE**

(56) **References Cited**

(75) Inventors: **Ami Ueda**, Yokohama (JP); **Kazuhiko Katsumata**, Kakamigahara (JP); **Junji Inoue**, Kakamigahara (JP); **Takahisa Shimada**, Kakamigahara (JP); **Shinya Kudo**, Yokohama (JP)

U.S. PATENT DOCUMENTS

D59,220 S * 10/1921 Haynes D23/329
3,021,833 A * 2/1962 Kohorst 126/360.2
4,125,363 A * 11/1978 Hansen 432/106
D342,125 S * 12/1993 Miller D23/323

(73) Assignees: **IHI Corporation**, Tokyo (JP); **IHI Machinery and Furnace Co., Ltd.**, Yokohama-shi (JP)

OTHER PUBLICATIONS

U.S. Appl. No. 29/396,839, filed Jul. 7, 2011, Ueda, et al.
U.S. Appl. No. 29/396,844, filed Jul. 7, 2011, Ueda, et al.

(**) Term: **14 Years**

* cited by examiner

(21) Appl. No.: **29/396,842**

Primary Examiner — T. Chase Nelson

Assistant Examiner — Ania Aman

(22) Filed: **Jul. 7, 2011**

(74) *Attorney, Agent, or Firm* — Oblon, Spivak, McClelland, Maier & Neustadt, L.L.P.

(30) **Foreign Application Priority Data**

(57) **CLAIM**

The ornamental design for a heat treat furnace, as shown and described.

Jan. 7, 2011 (JP) 2011-000229

(51) **LOC (9) Cl.** **23-03**

(52) **U.S. Cl.** **D23/329; D23/314**

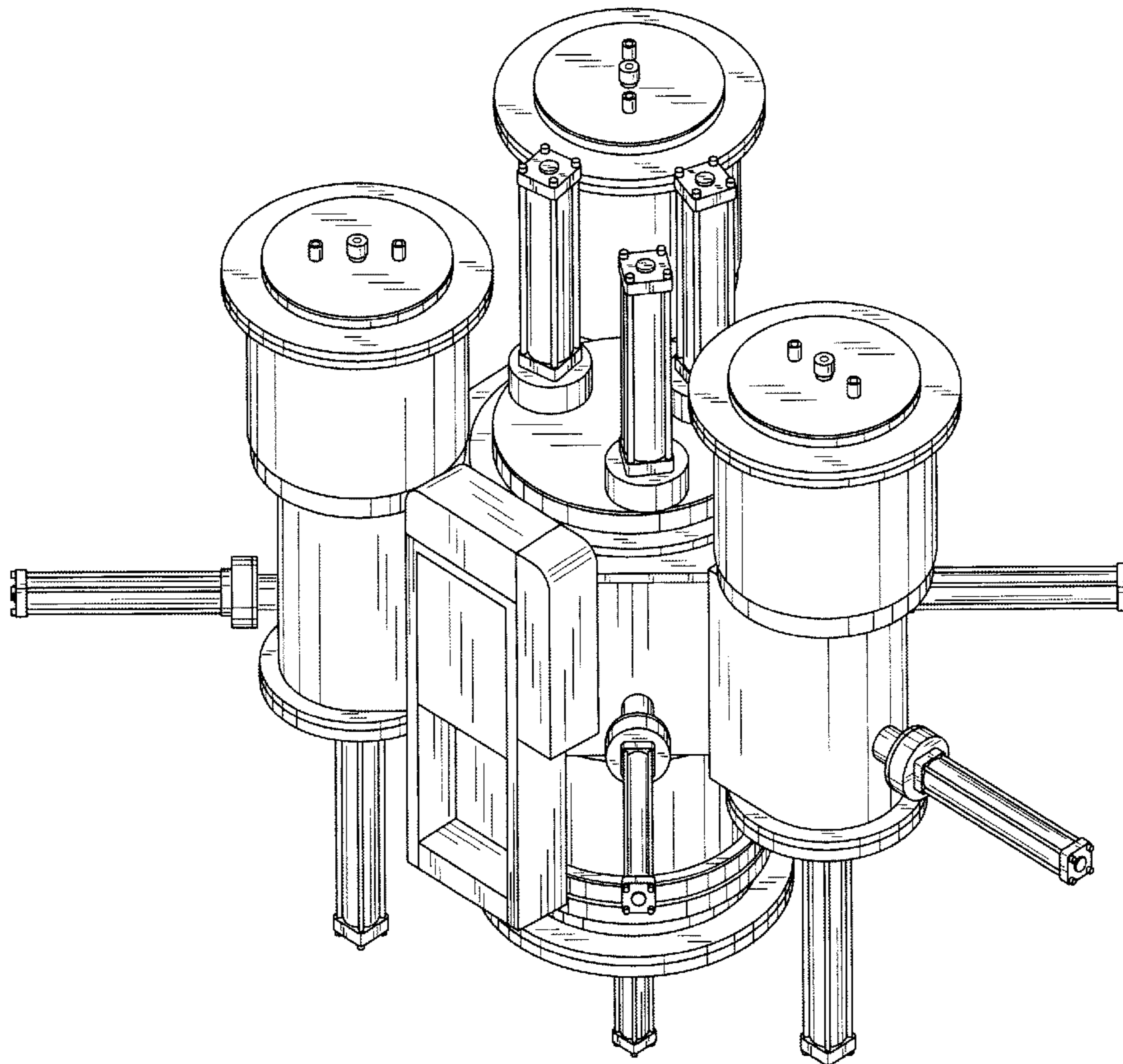
(58) **Field of Classification Search** D23/314,
D23/322, 329; 373/110, 119; 219/400; 432/148,
432/176, 77; D15/144, 144.1, 144.2

See application file for complete search history.

DESCRIPTION

FIG. 1 is a perspective view of a heat treat furnace;
FIG. 2 is a front view thereof;
FIG. 3 is a rear view thereof;
FIG. 4 is a left side view thereof;
FIG. 5 is a right side view thereof;
FIG. 6 is a top plan view thereof; and,
FIG. 7 is a bottom plan view thereof.

1 Claim, 7 Drawing Sheets



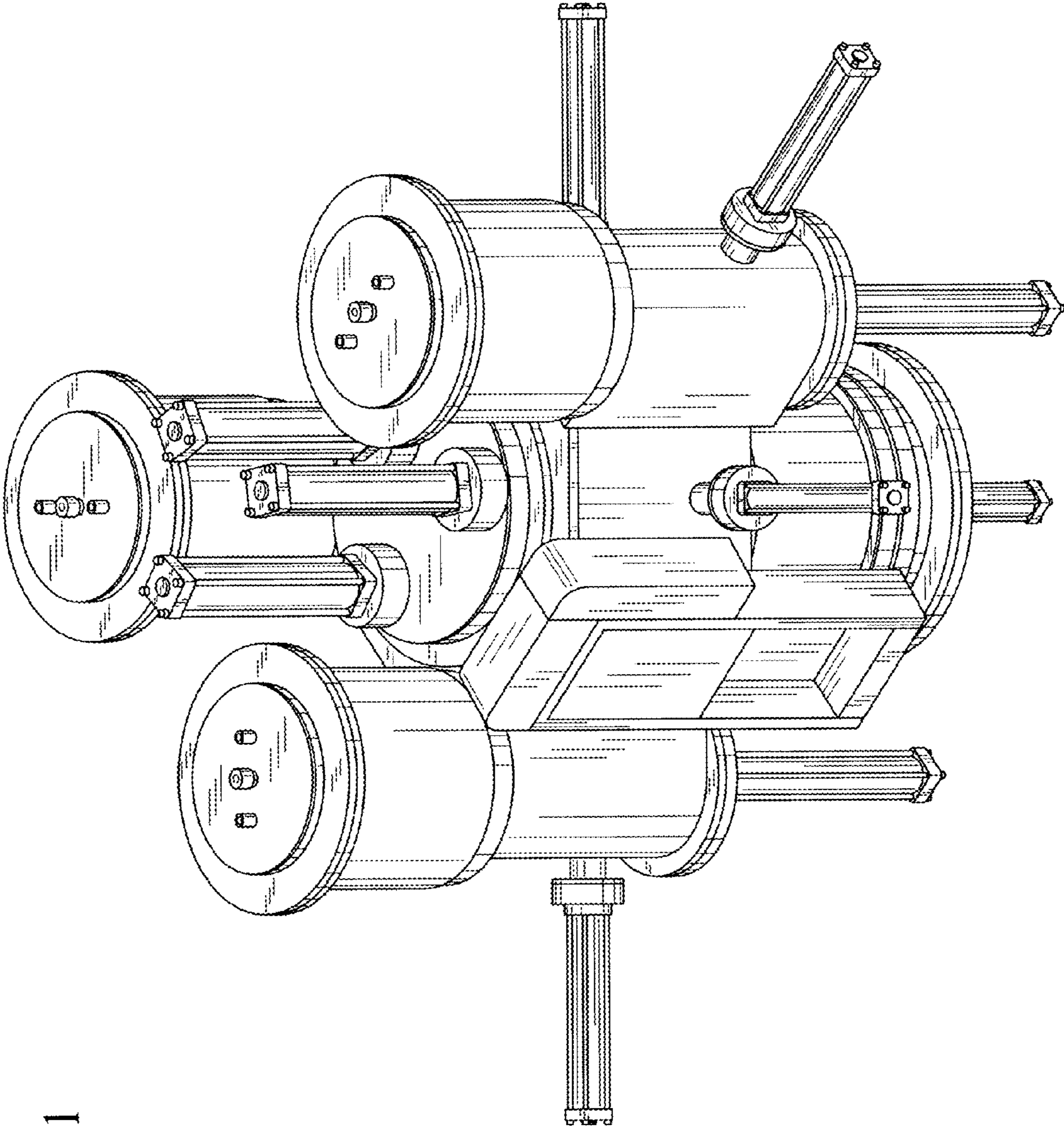


Fig.1

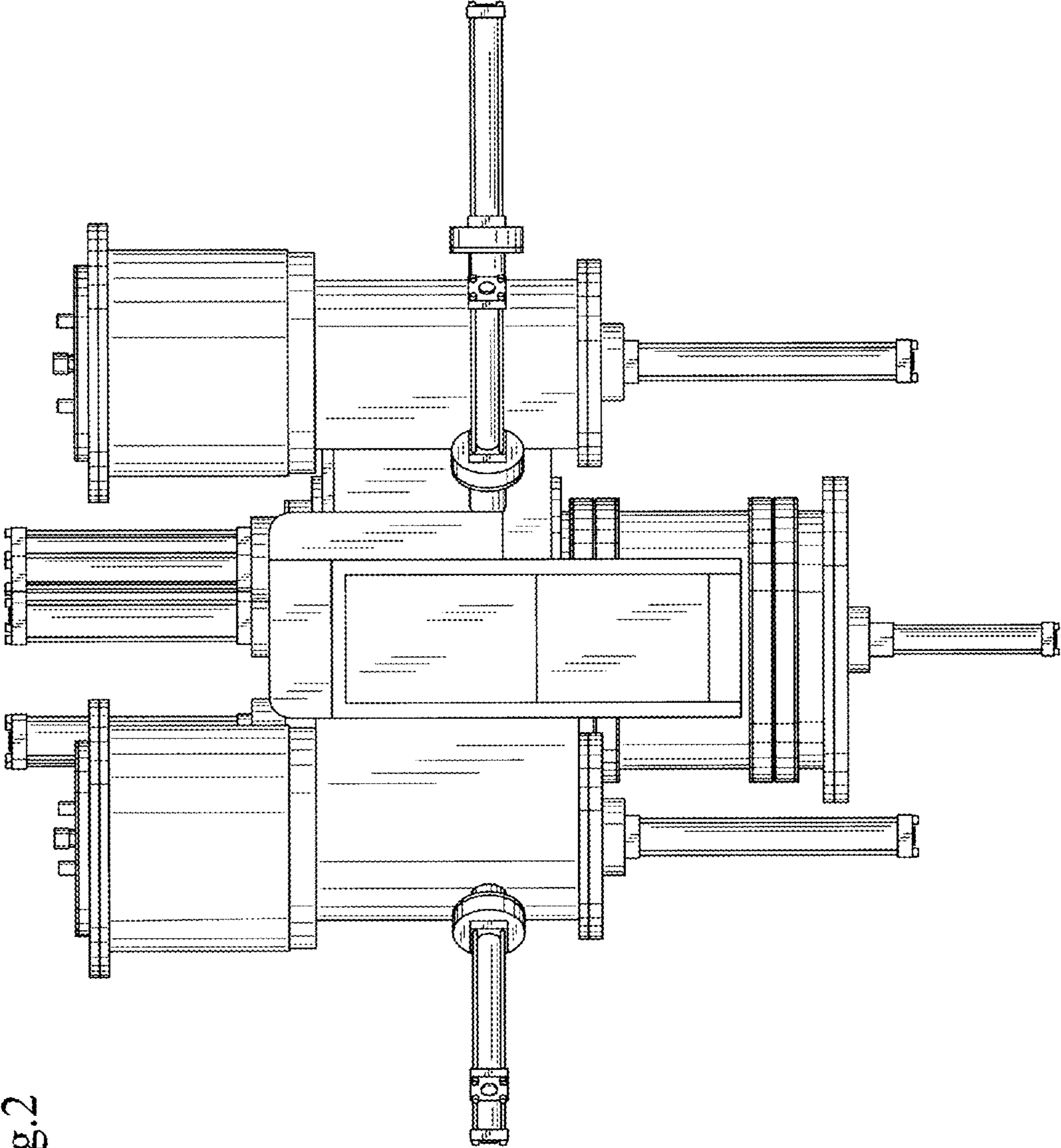


Fig.2

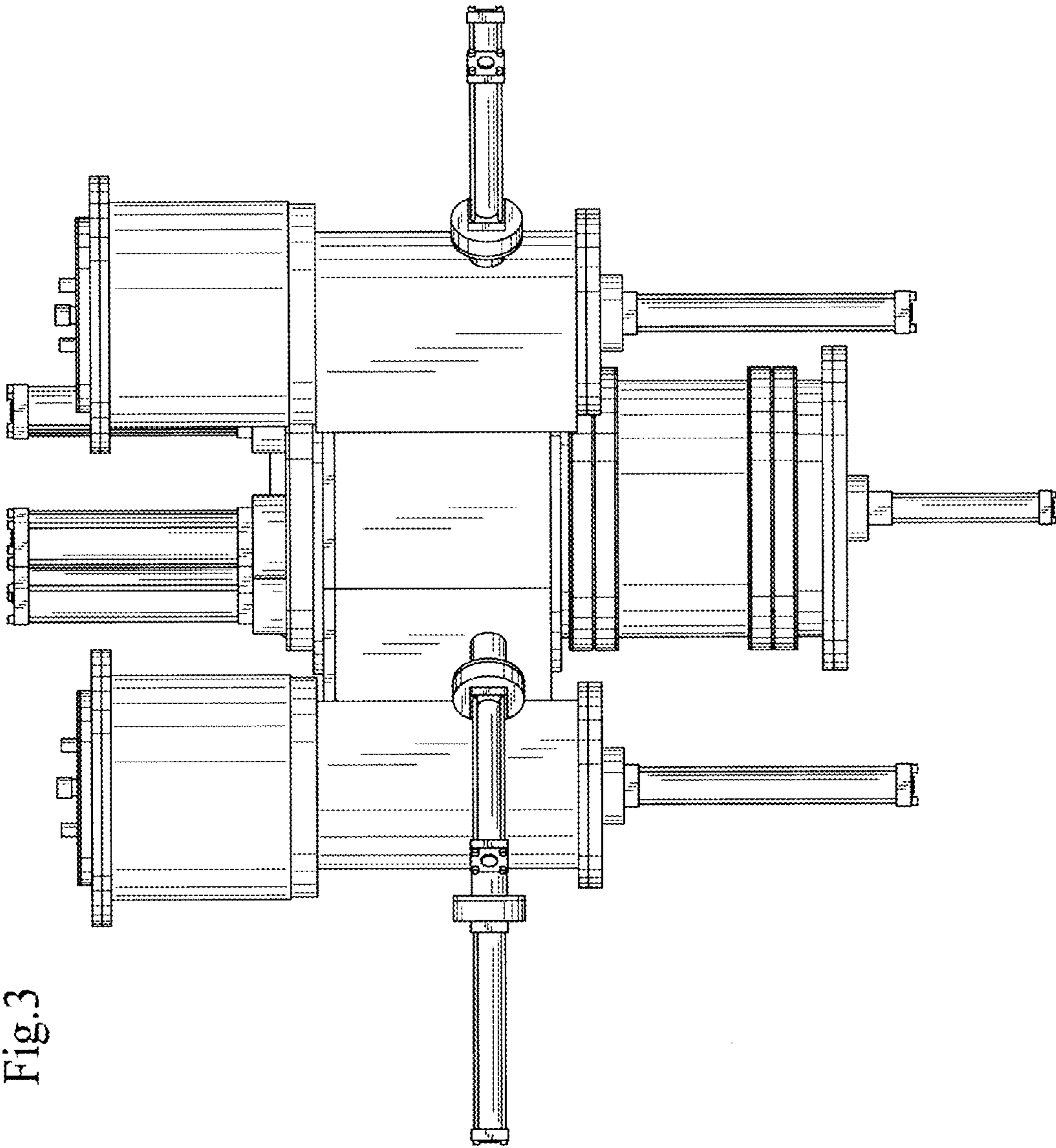


Fig. 3

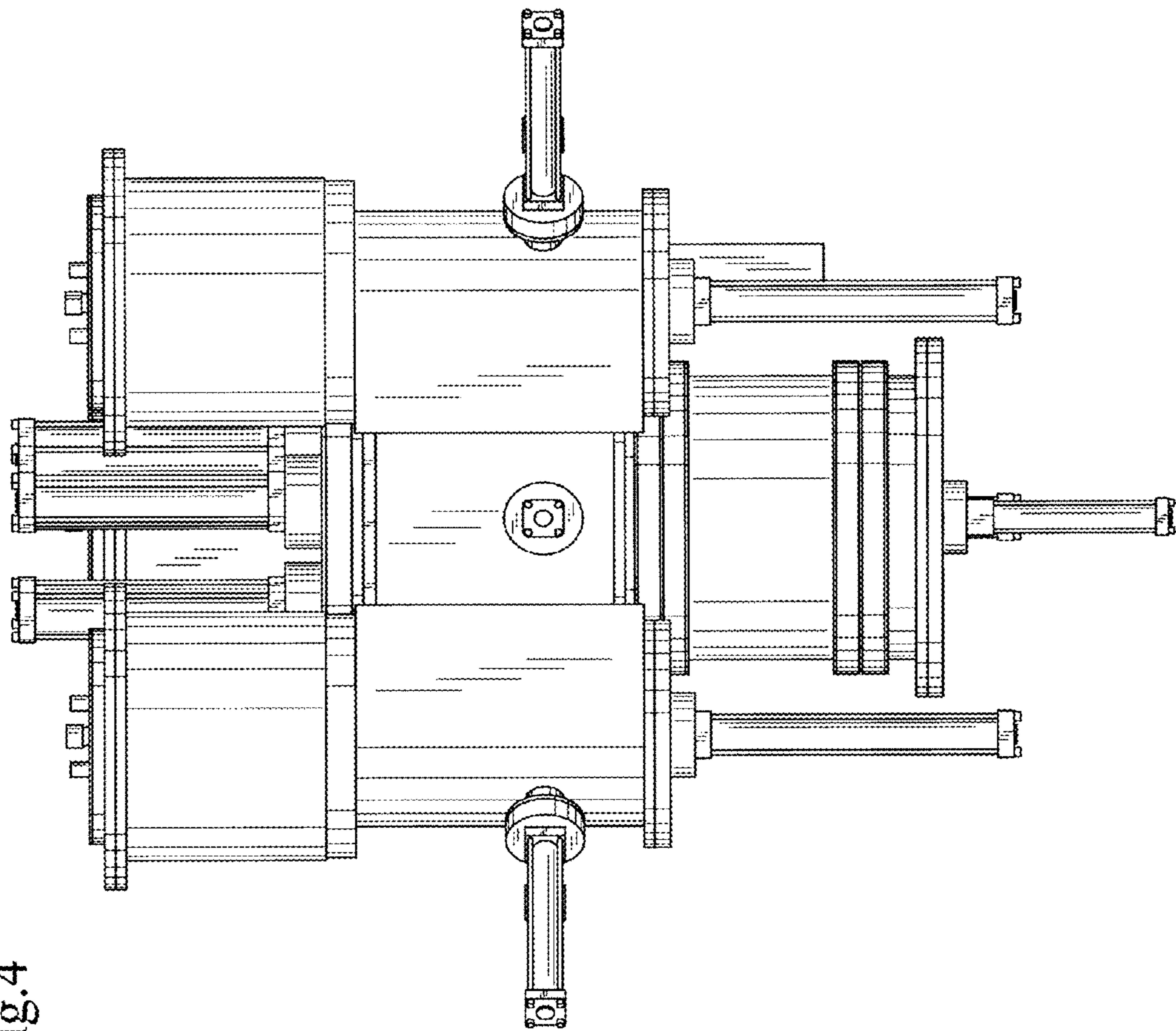


Fig.4

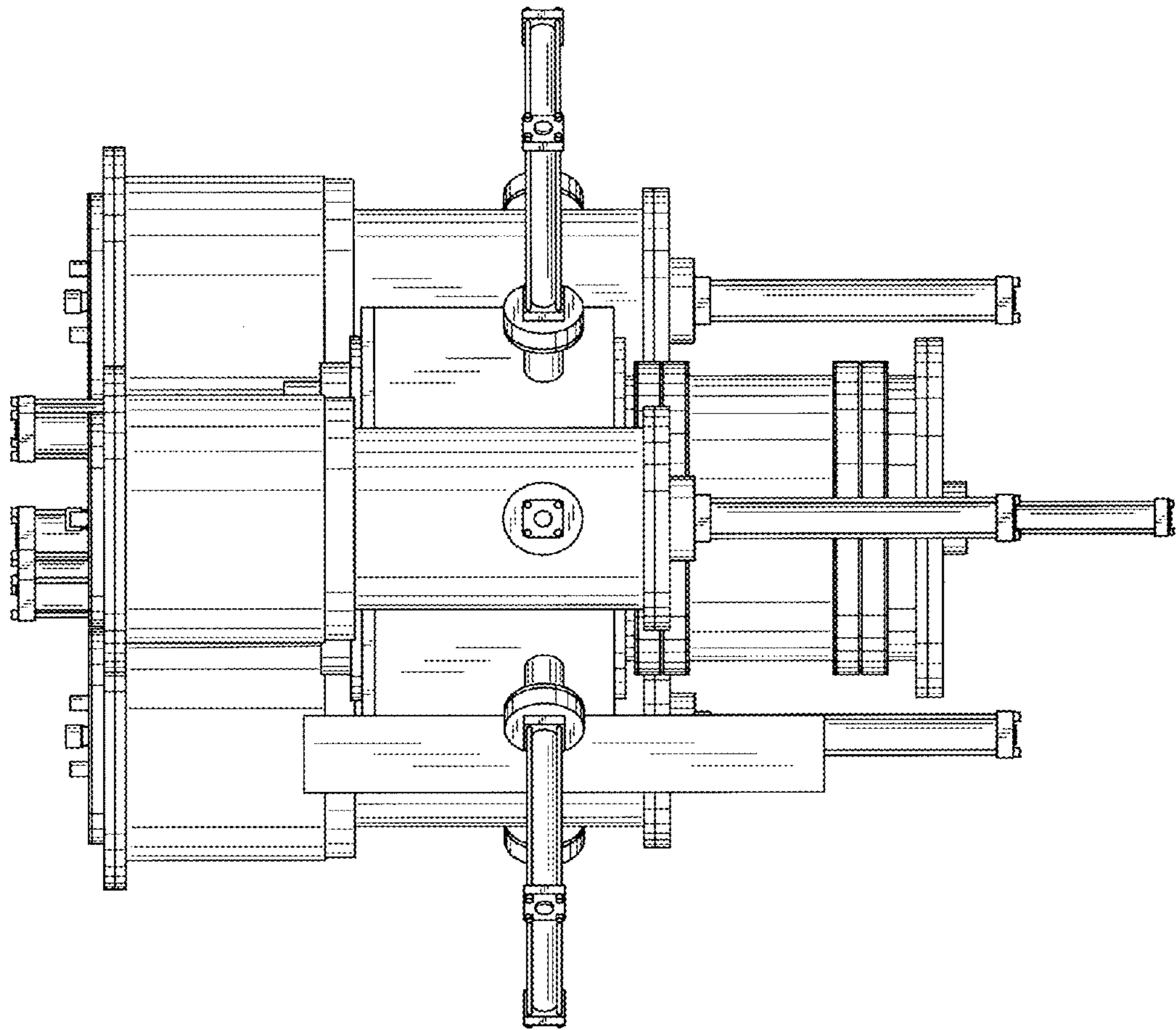


Fig.5

Fig.6

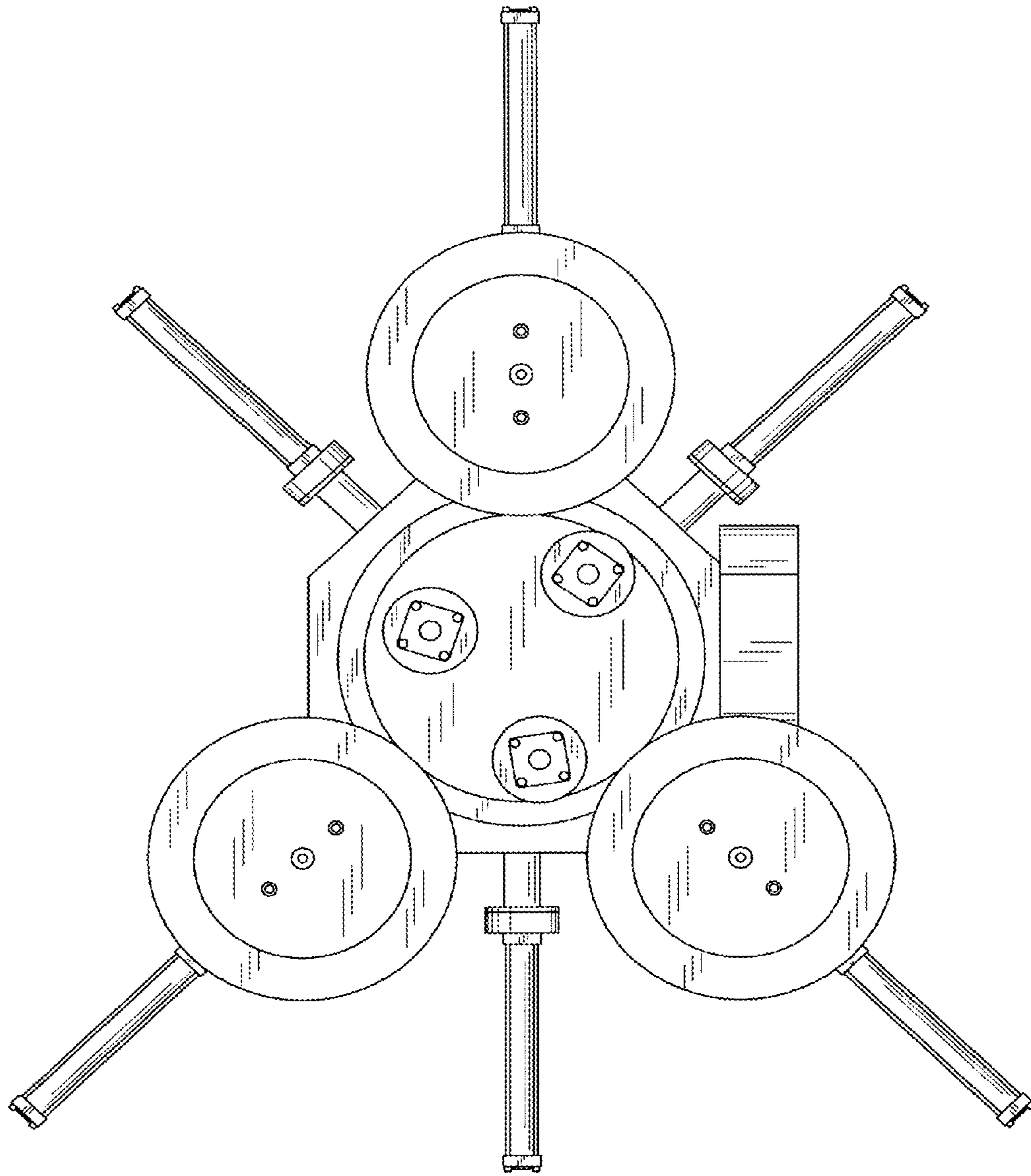


Fig. 7

