



US00D659230S

(12) **United States Design Patent**
Ueda et al.

(10) **Patent No.:** **US D659,230 S**
(45) **Date of Patent:** **** May 8, 2012**

(54) **PORTION OF HEAT TREAT FURNACE**

D342,125 S * 12/1993 Miller D23/323
6,160,836 A * 12/2000 Hansen 373/110
D448,460 S * 9/2001 Hamasaki et al. D23/323

(75) Inventors: **Ami Ueda**, Yokohama (JP); **Kazuhiko Katsumata**, Kakamigahara (JP); **Junji Inoue**, Kakamigahara (JP); **Takahisa Shimada**, Kakamigahara (JP); **Shinya Kudo**, Yokohama (JP)

OTHER PUBLICATIONS

U.S. Appl. No. 29/396,844, filed Jul. 7, 2011, Ueda, et al.
U.S. Appl. No. 29/396,842, filed Jul. 7, 2011, Ueda et al.

* cited by examiner

(73) Assignees: **IHI Corporation**, Tokyo (JP); **IHI Machinery and Furnace Co., Ltd.**, Yokohama-shi (JP)

Primary Examiner — T. Chase Nelson
Assistant Examiner — Ania Aman

(**) Term: **14 Years**

(74) *Attorney, Agent, or Firm* — Oblon, Spivak, McClelland, Maier & Neustadt, L.L.P.

(21) Appl. No.: **29/396,839**

(57) **CLAIM**

We claim, the ornamental design for a portion of heat treat furnace, as shown and described.

(22) Filed: **Jul. 7, 2011**

DESCRIPTION

(30) **Foreign Application Priority Data**

Jan. 7, 2011 (JP) 2011-000233

(51) **LOC (9) Cl.** **23-03**

(52) **U.S. Cl.** **D23/329; D23/314**

(58) **Field of Classification Search** D23/314,
D23/322, 329; 373/110, 119; 219/400; 432/148,
432/176, 77; D15/144, 144.1, 144.2
See application file for complete search history.

FIG. 1 is a perspective view of a portion of the heat treat furnace;
FIG. 2 is a front view thereof;
FIG. 3 is a rear view thereof;
FIG. 4 is a left side view thereof;
FIG. 5 is a right side view thereof;
FIG. 6 is a top plan view thereof; and
FIG. 7 is a bottom plan view thereof; and,
FIG. 8 is an enlarged sectional view taken along the line 8-8 of FIG. 6 thereof.

(56) **References Cited**

U.S. PATENT DOCUMENTS

3,386,713 A * 6/1968 Karr 432/128
5,097,114 A * 3/1992 Mann et al. 219/553

The broken lines showing on the drawing disclosure are for illustrative purposes only and form no part of the claimed design.

1 Claim, 8 Drawing Sheets

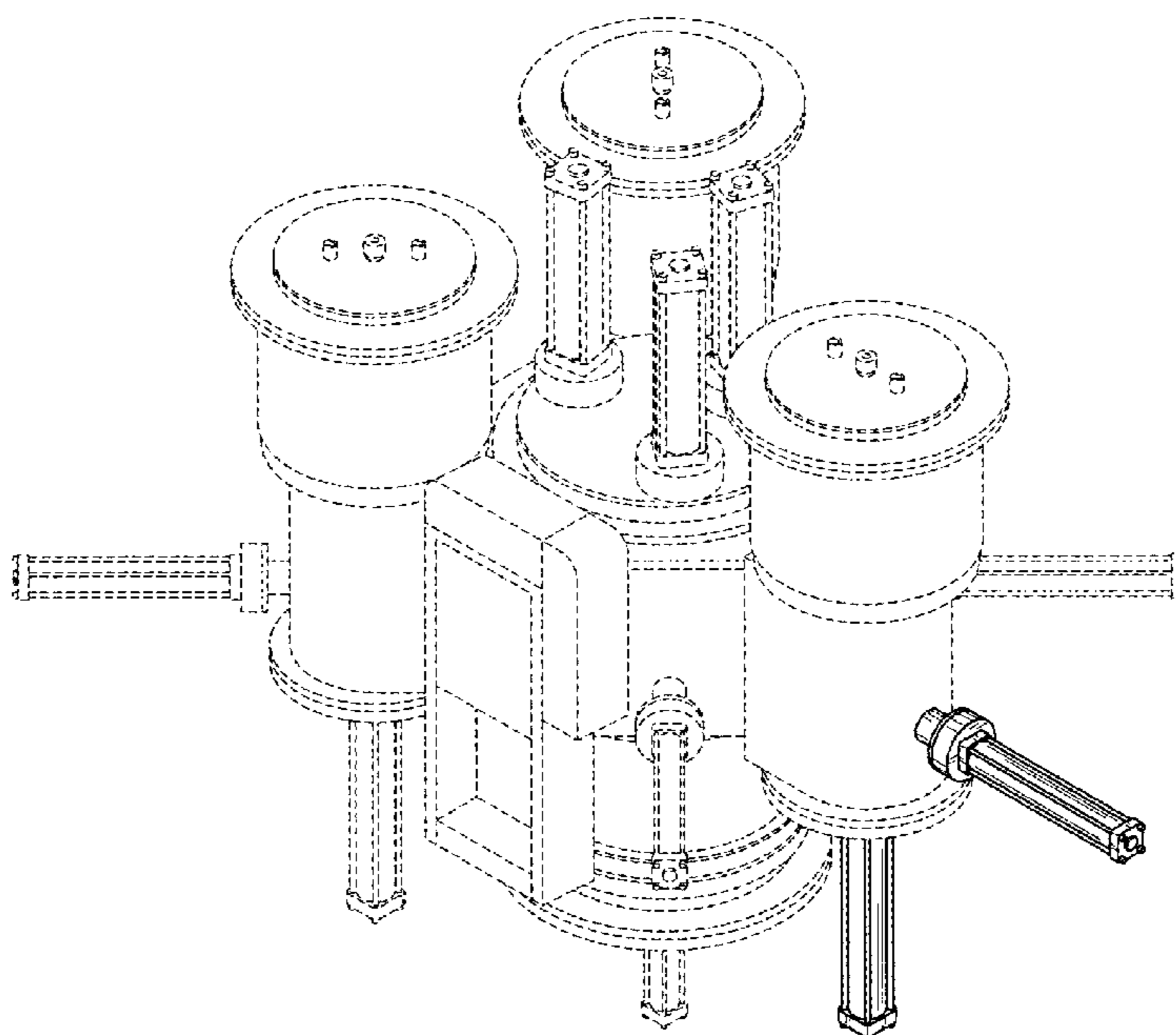


Fig.1

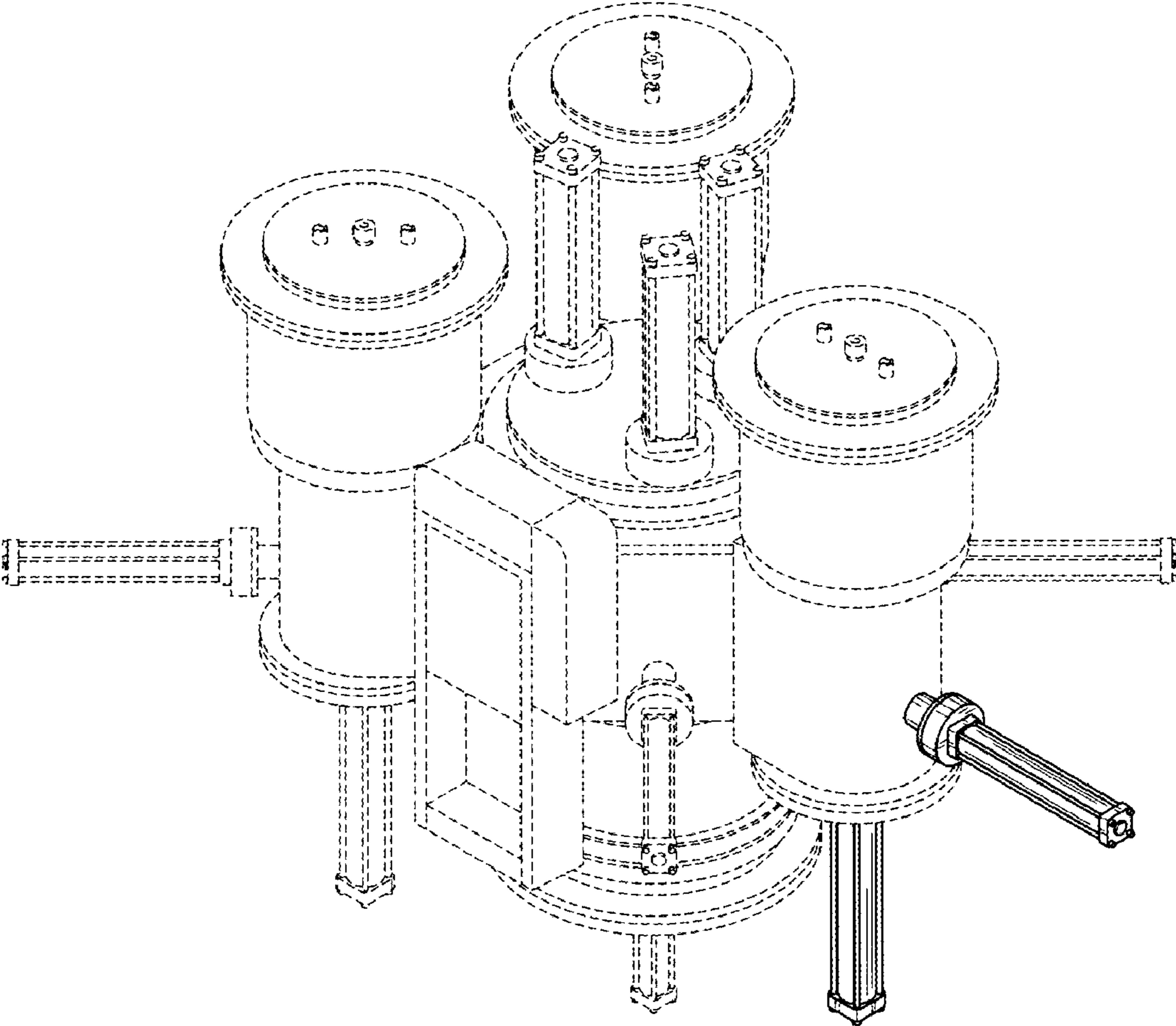


Fig.2

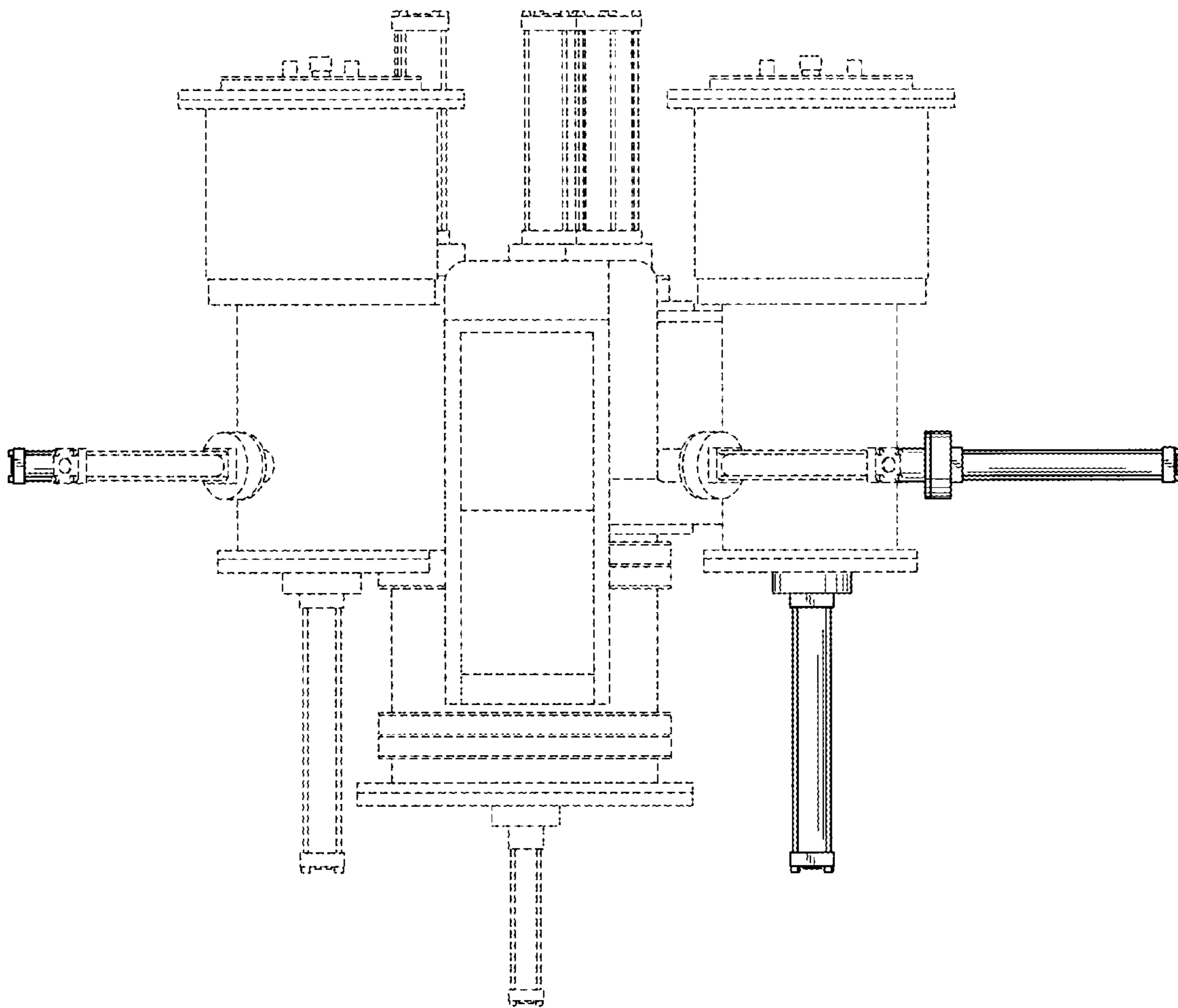


Fig.3

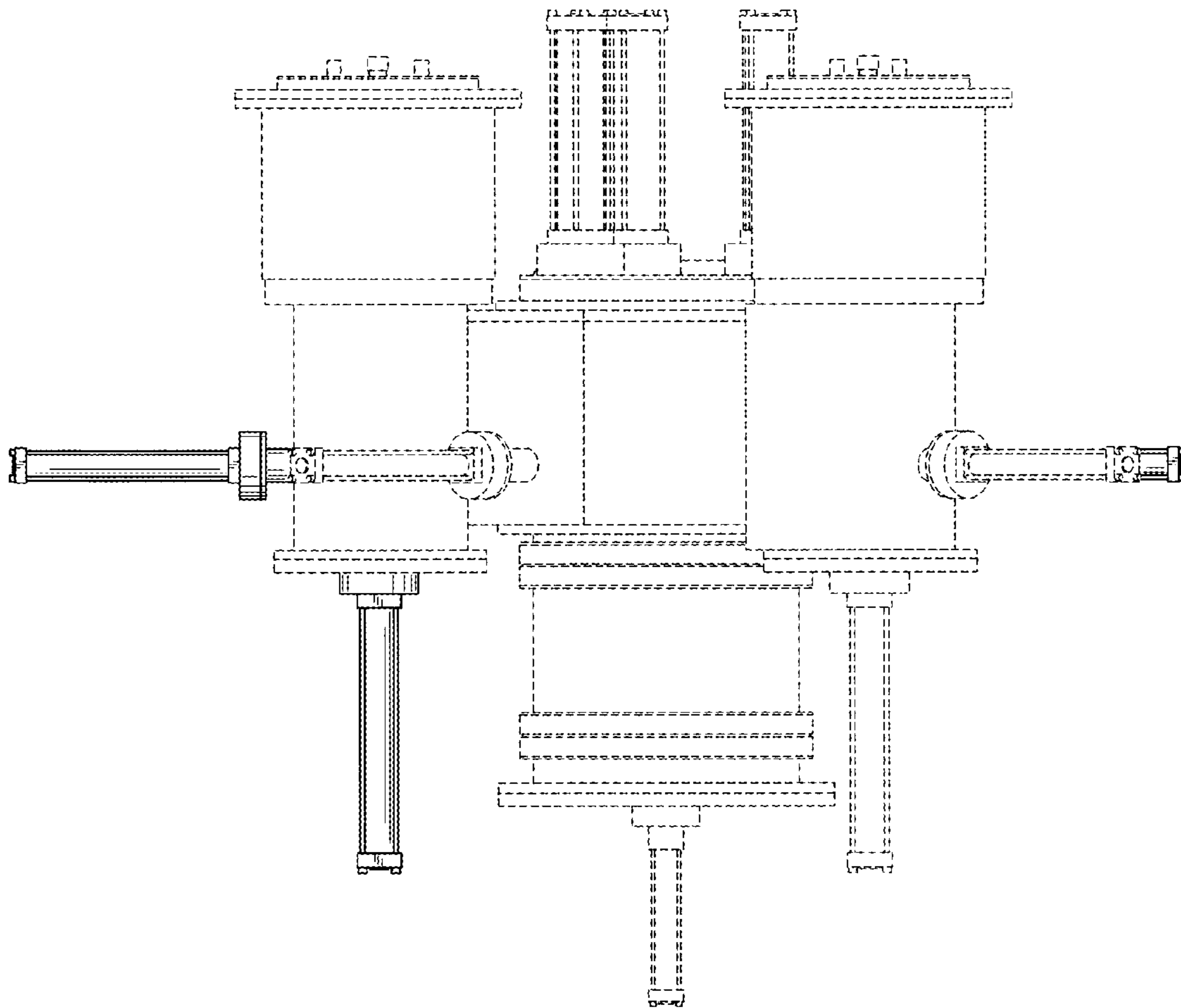


Fig.4

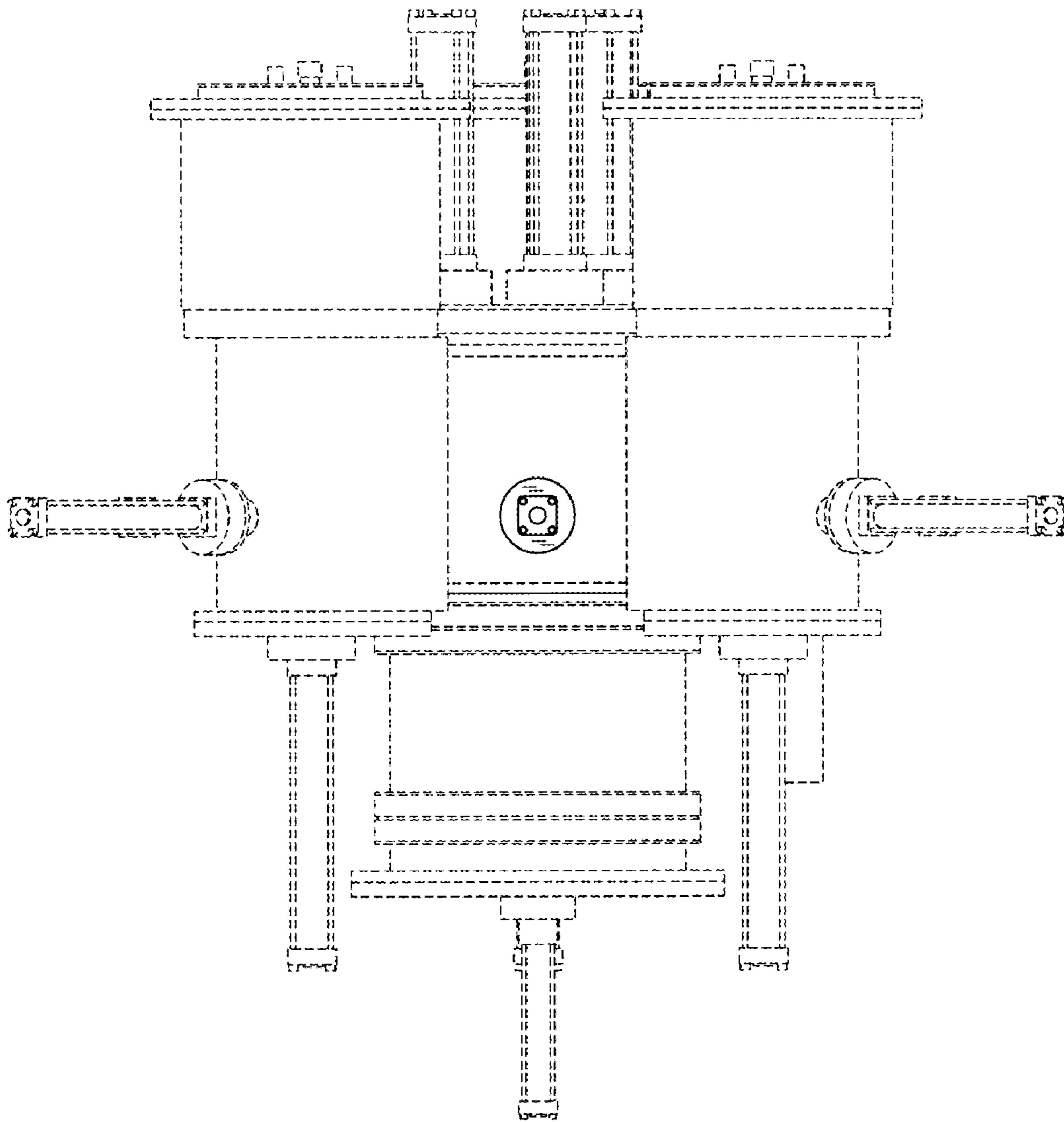


Fig.5

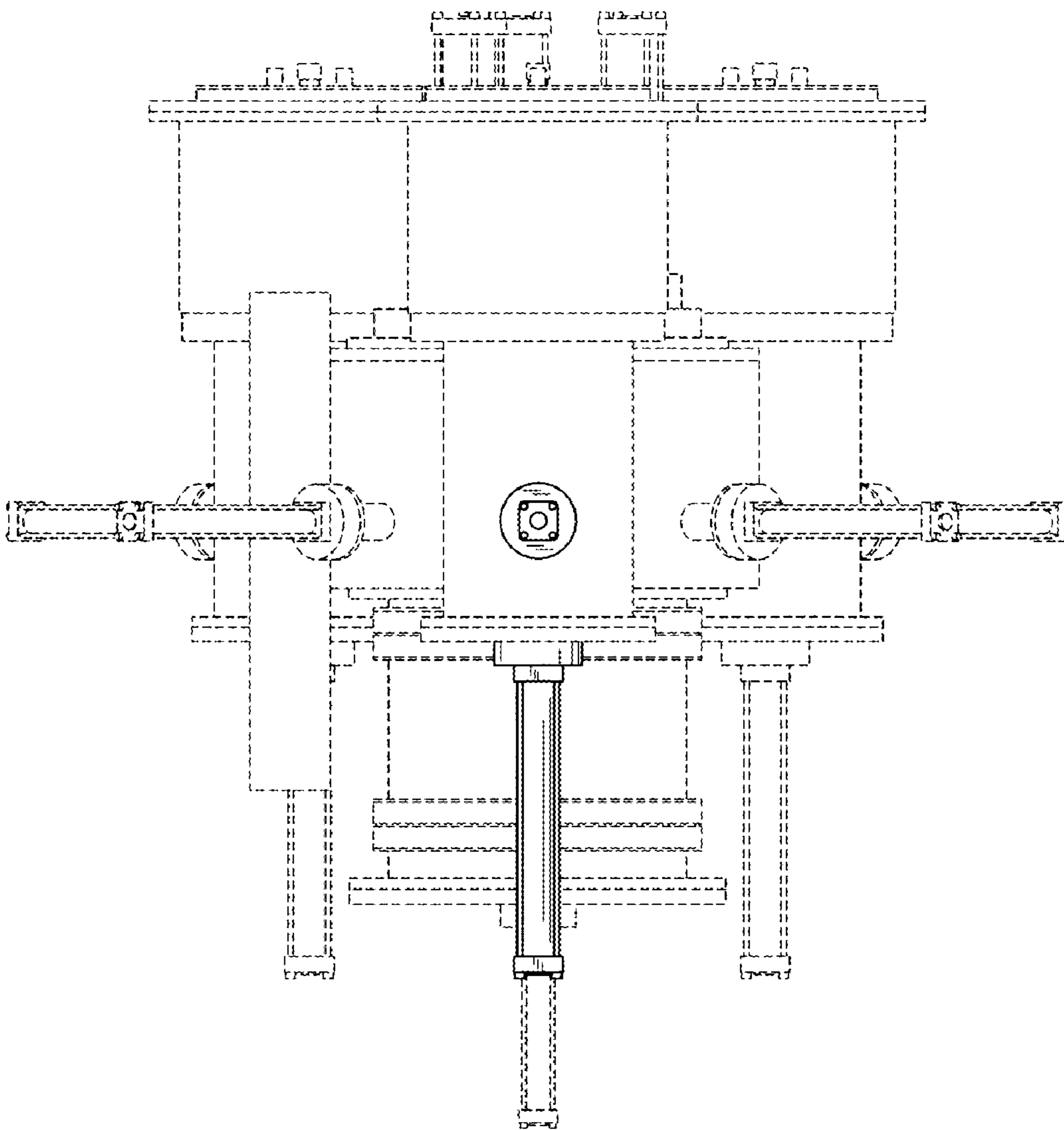


Fig.6

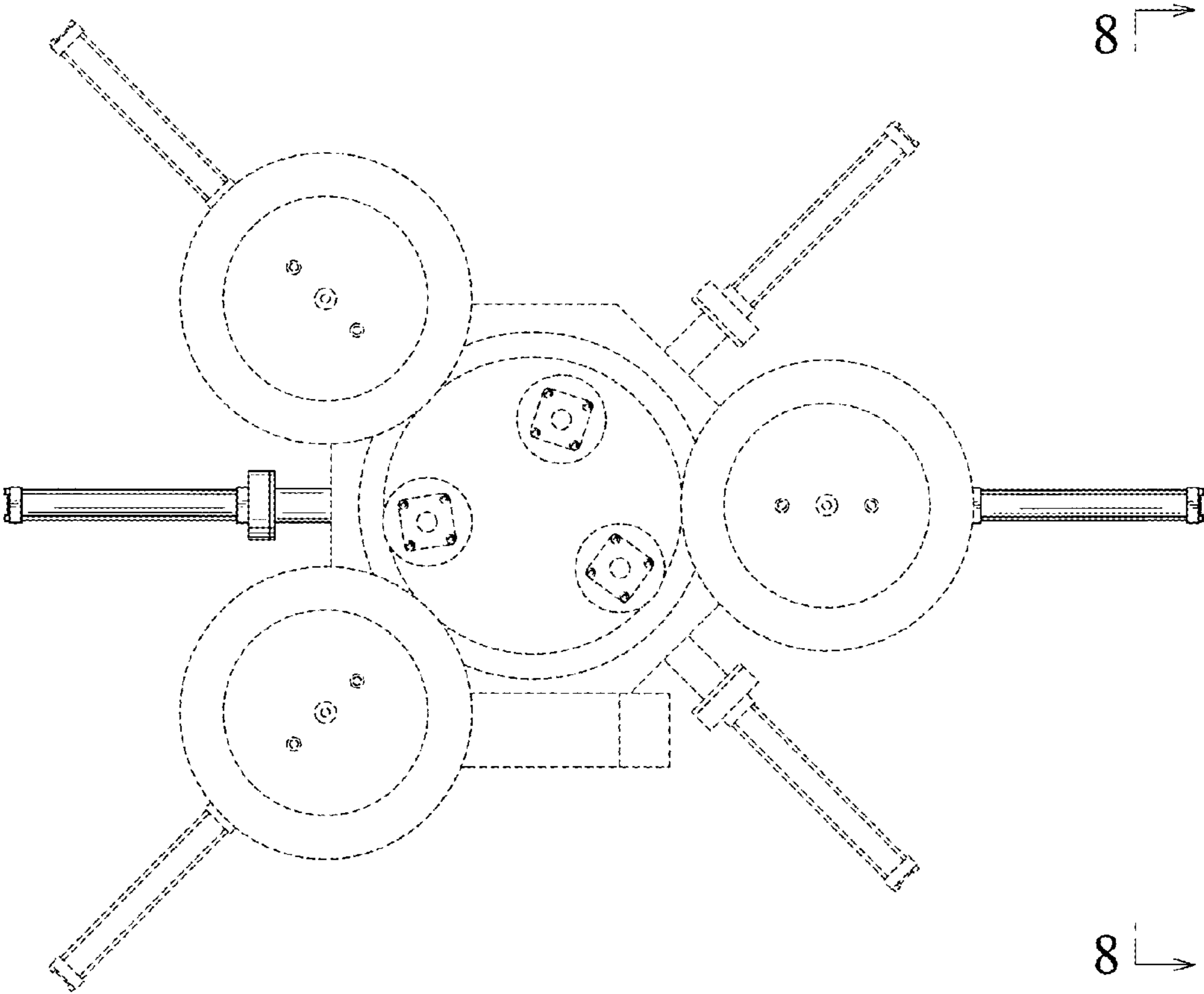


Fig.7

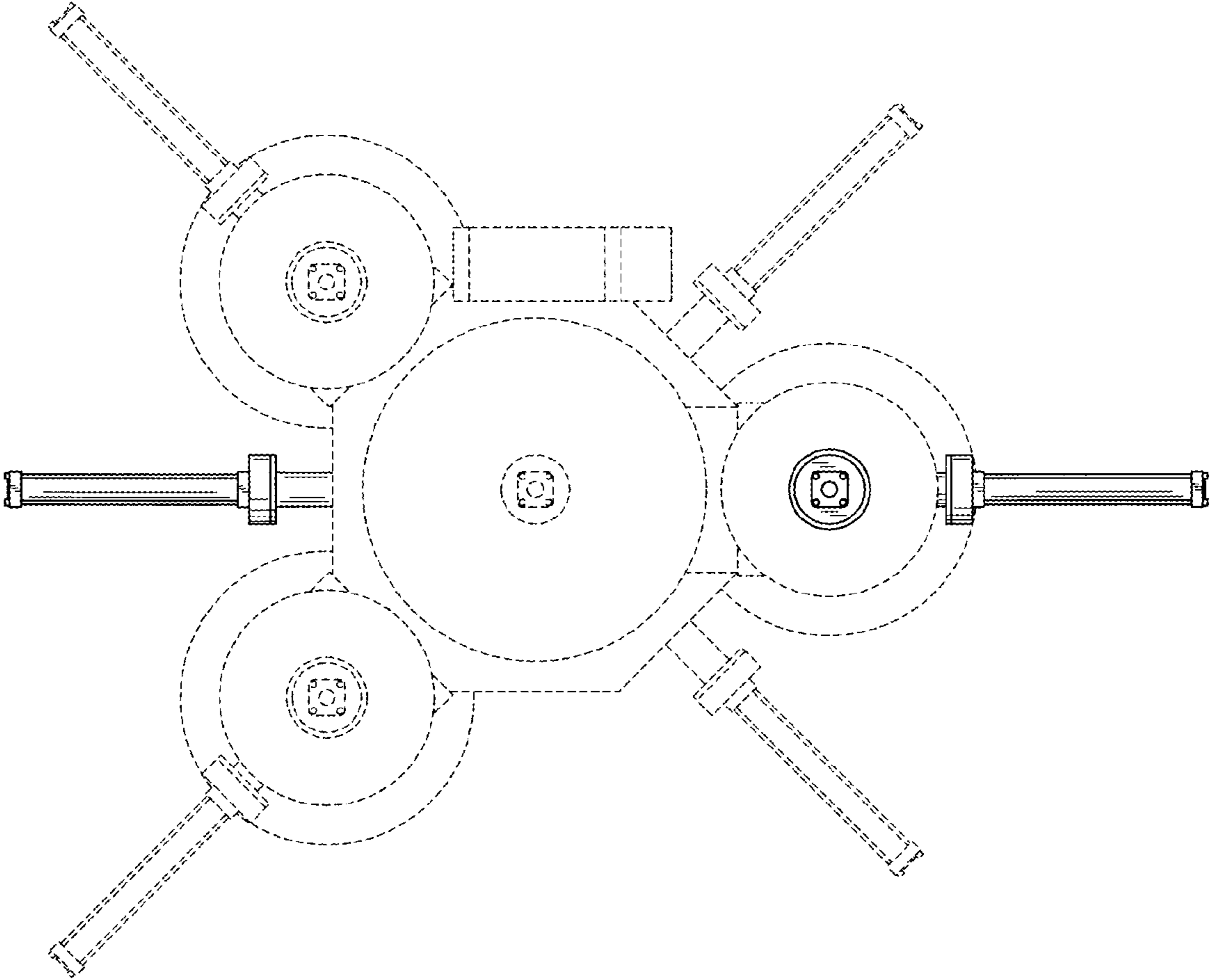


Fig. 8

